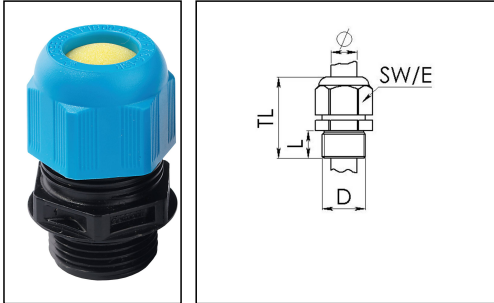


ESKE/1-i 25

Ex-cable gland, polyamide with short thread, RAL 9005/5012, M25



Products may differ in size, colour and appearance to those shown. If you require further information or customisation, please contact us directly.



| | |
|--------------------------|--------------------------------|
| Material cable gland | Polyamide |
| Material sealing gasket | EPDM |
| Temp. range min | -40 °C |
| Temp. range max | 75 °C |
| Protection class | IP66 / IP68 (5 bar 30 min) |
| Type of protection | Ex eb, Ex tb |
| Ex-Certificate | ATEX, IECEx |
| Glow wire test | 750 °C |
| Thread type | M |
| Ø Connection thread D | 25 |
| Lead | 1,5 |
| Length screw-in thread L | 10 mm |
| Ø cable diameter min | 10 mm |
| Ø cable diameter max | 17 mm |
| Key width SW | 29 mm |
| Collar diameter (E) | 32 mm |
| Total length TL | 38 mm - 47 mm |
| Install. torques fitting | 3 N m |
| Install. torques cap nut | 2 N m |
| Equipment | Incl. connection thread gasket |
| Product Color | RAL 5012 / RAL 9005 |
| Order no. RAL 9005 | 10103374 |
| Type | ESKE/1-i 25 |
| Packing unit | 50 |
| ETIM-Classification | EC000441 |

Your Contact:

WISKA Hoppmann GmbH

Kisdorfer Weg 28 · 24568 Kaltenkirchen · Germany

☎ +49-4191-508-0 · 📠 +49-4191-508-209

contact@wiska.de · www.wiska.com

Recommended accessories

| | |
|----------------|----------|
| RDE 25 | 10060768 |
| EMUG 25 | 10061783 |
| BS 17 | 10064012 |

20.03.2020

Your Contact:

WISKA Hoppmann GmbH

Kisdorfer Weg 28 · 24568 Kaltenkirchen · Germany

☎ +49-4191-508-0 · 📠 +49-4191-508-209

contact@wiska.de · www.wiska.com



Your Contact:

WISKA Hoppmann GmbH

Kisdorfer Weg 28 · 24568 Kaltenkirchen · Germany

☎ +49-4191-508-0 · 📠 +49-4191-508-209

contact@wiska.de · www.wiska.com