



Product designation	Power contactor		
Product type designation	11BF110		
Contact characteristics			
Number of poles	nr.	3	
Rated insulation voltage U_i	V	1000	
Rated impulse withstand voltage U_{imp}	kV	8	
Operating frequency	Operational frequency min	Hz	25
	Operational frequency max	Hz	400
Conventional free air thermal current I_{th}	A	125	
Operating current	Operational current AC1 ($\leq 40^\circ\text{C}$)	A	125
	Operational current AC3 ($\leq 440\text{V} \leq 55^\circ\text{C}$)	A	110
Rated operational power AC1 ($T \leq 40^\circ\text{C}$)	230V	kW	47
	400V	kW	82
	500V	kW	108
	690V	kW	128
Rated operational power AC3 ($T \leq 55^\circ\text{C}$)	230V	kW	33
	400V	kW	61
	415V	kW	66
	440V	kW	70
	500V	kW	59
	690V	kW	80
Short-time allowable current for 10s (IEC/EN60947-1)	1000V	kW	45
		A	880
Protection fuse	gG (IEC)	A	160
	aM (IEC)	A	125
Making capacity (RMS value)	A	1200	
Breaking capacity at voltage	Breaking capacity 440V	A	1200
	Breaking capacity 500V	A	1050
	Breaking capacity 690V	A	800
Resistance per pole (average value)	m Ω	0.6	
Power dissipation per pole (average value)	Power dissipation pole (average value) I_{th}	W	9.4
	AC3	W	7.3
Tightening torque for terminals	min	Nm	4
	max	Nm	5
	min	lbft	2.95
	max	lbft	3.7
Tightening torque for coil terminal			

	min	Nm	0.8
	max	Nm	1
	min	lbft	0.8
	max	lbft	0.74
max number of wires simultaneously connectable		nr.	1
Conductor section			
AWG	min		14
	max		2/0
Flexible w/o lug conductor section	min	mm ²	6
	max	mm ²	50
Flexible c/w lug conductor section	min	mm ²	6
	max	mm ²	50
Power terminal protection according to IEC/EN 60529			IP20 front
Auxiliary contact characteristics			
Operational current AC1 (≤40°C)		A	125
Operating current DC13	110V	A	Screw / DIN rail 35mm
Ambient conditions			
Temperature			
Operating temperature	min	°C	-50
	max	°C	70
Storage temperature	min	°C	-60
	max	°C	80
Max altitude		m	3000
Operating position	normal allowable		Vertical plan ±30°
Mounting			Screw / DIN rail 35mm
Weight		g	1.37
Operations			
Mechanical life		Cycles	15000000
Electrical life		Cycles	800000
Safety related data			
Performance level B10d according to EN/ISO 13489-1	rated load mechanical load	Cicli	800000 15000000
Mirror contacts according to IEC/EN 60947-4-1			yes
EMC compatibility			yes
AC coil operating			
AC operating voltage			
of 50/60Hz coil powered at 50Hz			
pick-up	min	%Us	0.8
	max	%Us	1.1
drop-out	min	%Us	0.2
	max	%Us	0.55

of 50/60Hz coil powered at 60Hz			
pick-up	min	%Us	0.85
	max	%Us	1.1
drop-out			
min	%Us	0.4	
max	%Us	0.55	

of 60Hz coil powered at 60Hz			
pick-up	min	%Us	0.8
	max	%Us	1.1
drop-out			
min	%Us	0.2	
max	%Us	0.55	

AC operating voltage

of 50/60Hz coil powered at 50Hz			
in-rush	VA	200	
	holding	VA	18
of 50/60Hz coil powered at 60Hz			
in-rush	VA	200	
	holding	VA	15
of 60Hz coil powered at 60Hz			
in-rush	VA	220	
	holding	VA	18

Dissipation at holding ≤20°C 50Hz W 6

Max cycles frequency

Mechanical operations Cycles/h 3600

Operating times

Average time for Us control

in AC			
Closing NO	min	ms	13
	max	ms	28
Opening NO	min	ms	6
	max	ms	19

in DC			
Closing NO	min	ms	40
	max	ms	85
Opening NO	min	ms	20
	max	ms	55

UL technical data

Full-load current (FLA) for three-phase AC motor			
at 480V	A	96	
at 600V	A	99	

Yielded mechanical performance

for three-phase AC motor			
at 200/208V	hp	30	
at 220/230V	hp	40	
at 460/480V	hp	75	
at 575/600V	hp	100	

General USE

Contactor

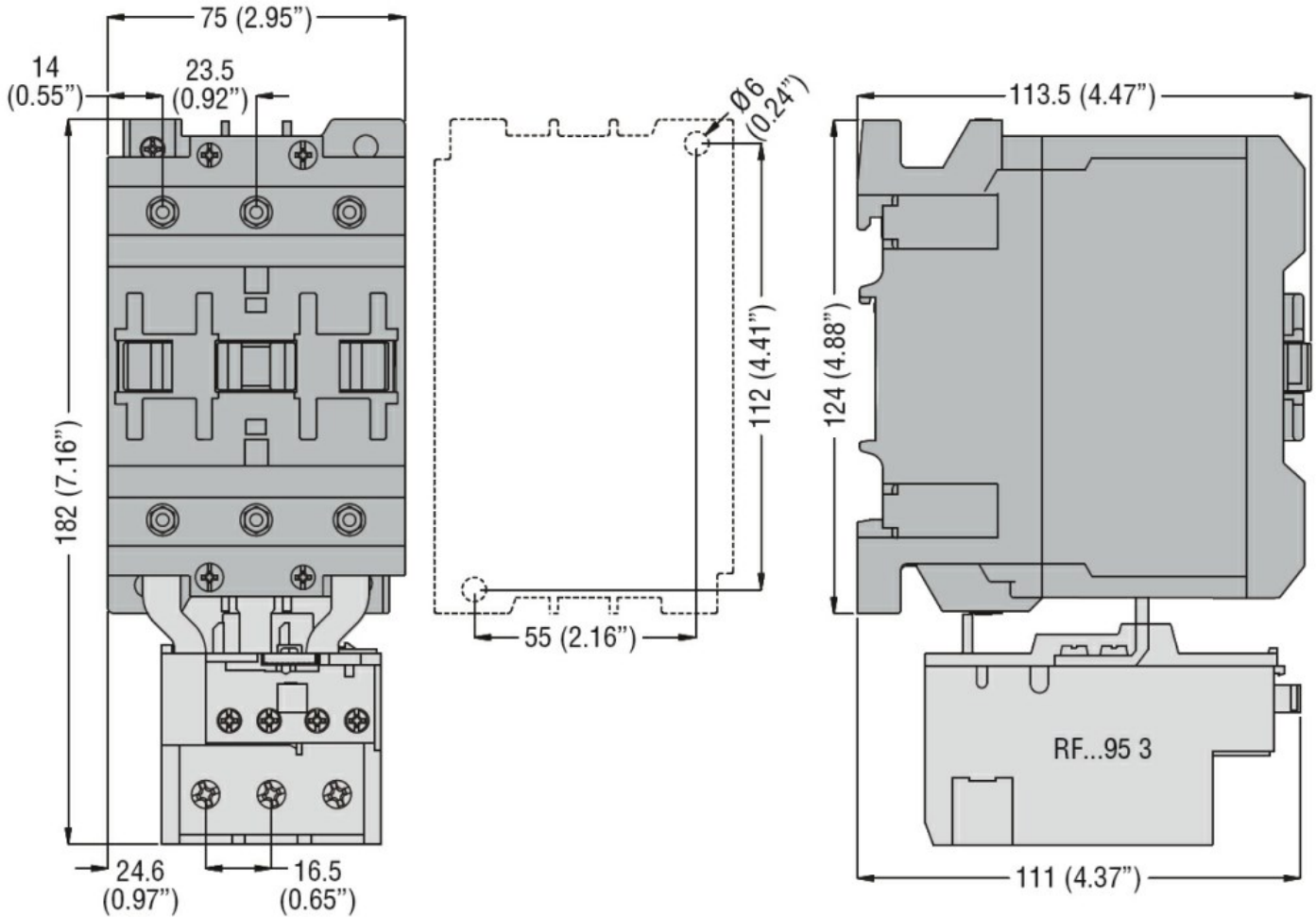
AC current A 125

Other features

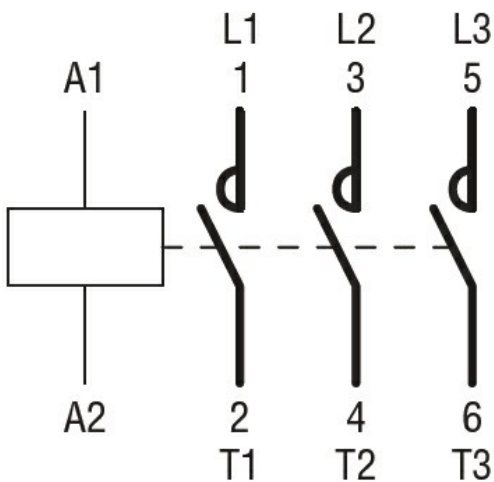
Pollution degree

3

Dimensions



Wiring diagrams



Certifications and compliance

Certifications

CSA C22.2 n° 60947-1
CSA C22.2 n° 60947-4-1

IEC/EN 60947-1

IEC/EN 60947-4-1

UL 60947-1

UL 60947-4-1

Compliance

CCC

cULus

EAC

ETIM 6 classification

EC000066 - Power contactor, AC switching