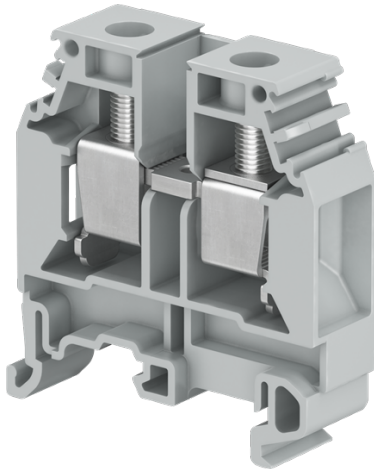


PRODUCT-DETAILS

M16/12

M16/12 Screw Clamp Terminal Blocks - Feed-through - Grey



General Information

Extended Product Type	M16/12
Product ID	1SNA115129R1400
EAN	3472591151299
Catalog Description	M16/12 Screw Clamp Terminal Blocks - Feed-through - Grey
Long Description	- Flexibility: snap onto symmetrical and asymmetrical rails, - Many colors are available in addition to our generic grey to help you quickly identify any specific functions, - Use of Jumper bars requires the user to cut out the partition.

Ordering

Color	Grey
Minimum Order Quantity	20 piece
Customs Tariff Number	85369010

Popular Downloads

Data Sheet, Technical Information	1SNC160019C0202
Instructions and Manuals	1SNC160019C0202

Dimensions

Product Net Width	12 mm
-------------------	-------

Product Net Height	45.5 mm
Product Net Length	40.5 mm
Product Net Depth / Length	40.5 mm
Product Net Weight	26.1 g

Technical

Rated Cross-Section	16 mm ²
Spacing	12 mm
Connection Type	Screw Clamp
Function	Feed-through
Number of Levels	1
Connecting Capacity Main Circuit	Screw Clamp / Flexible 1x 2.5 ... 16 mm ² Screw Clamp / Rigid 1x 2.5 ... 25 mm ² Screw Clamp / With Insulated Ferrule 1x 16 mm ²
Gauge Type	B7
Rated Current (I _n)	Main Circuit 76 A
Rated Short-time Withstand Current (I _{cw})	for 1 s 1920 A
Rated Voltage (U _r)	1000 V
Rated Impulse Withstand Voltage (U _{imp})	8000 V
Dielectric Test Voltage	2000 V
Pollution Degree	3
Power Loss	2.4 W
Degree of Protection	acc. to IEC 60529, IEC 60947-1, EN 60529 Main Terminals IP20
Insulation Material	Polyamide
Mounting on DIN Rail	G32 (32 x 15 mm Mounting Rail) acc. to IEC 60715 TH35-7.5 (35 x 7.5 mm Mounting Rail) acc. to IEC 60715 TH35-15 (35 x 15 mm Mounting Rail) acc. to IEC 60715
Wire Stripping Length	14.0 mm
Recommended Screw Driver	5.5 mm
Tightening Torque	acc. IEC 60947-1 1.2 N·m Manufacturer 1.4 N·m

Technical UL/CSA

Maximum Operating Voltage UL/CSA	Main Circuit 600 V
Connecting Capacity Main Circuit UL/CSA	Screw Clamp / Flexible 1x 18 ... 6 AWG Screw Clamp / Rigid 1x 18 ... 4 AWG Screw Clamp / Rigid 2x 18 ... 8 AWG
Connecting Capacity UL/CSA	Stranded 6 AWG
Flammability According to UL94	V-0

Environmental

Ambient Air Temperature	Operation -55 ... +110 °C Storage -55 ... +110 °C
RoHS Status	Following EU Directive 2002/95/EC August 18, 2005 and amendment

Certificates and Declarations (Document Number)

CB Certificate	1SND161109A0200
----------------	-----------------

CSA Certificate	1SND161052A0202
cUL Certificate	1SND161001A0209
Declaration of Conformity - CE	1SND225014U1000
EAC Certificate	1SND161009A1100
Environmental Information	1SND220001E1002
Instructions and Manuals	1SNC160019C0202
RMRS Certificate	1SND161007A1101
RoHS Information	1SND230023F0208

Classifications

Object Classification Code		X
ETIM 4	EC000897 - Feed-through terminal block	
ETIM 5	EC000897 - Feed-through terminal block	
ETIM 6	EC000897 - Feed-through terminal block	

Container Information

Package Level 1 Units	20 piece
Package Level 1 Width	61 mm
Package Level 1 Depth / Length	176 mm
Package Level 1 Height	47 mm
Package Level 1 Gross Weight	0.522 kg
Package Level 1 EAN	3472591151299
Package Level 2 Units	500 piece
Package Level 2 Width	300 mm
Package Level 2 Depth / Length	500 mm
Package Level 2 Height	150 mm
Package Level 2 Gross Weight	13.05 kg
Package Level 3 Units	24000 piece

Categories

Low Voltage Products and Systems → Connection Devices → Terminal Blocks → SNA Series

