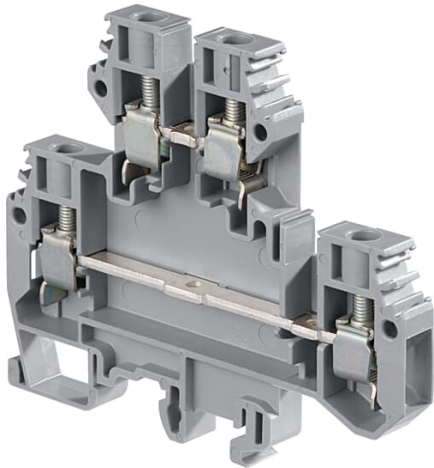




PRODUCT-DETAILS

M6/8.D2

M6/8.D2 Screw Clamp Terminal Blocks - Double deck - Grey



General Information

Extended Product Type	M6/8.D2
Product ID	1SNA115501R1200
EAN	3472591155013
Catalog Description	M6/8.D2 Screw Clamp Terminal Blocks - Double deck - Grey
Long Description	- Save space with double deck terminal blocks: 2 independent circuits, - Flexibility: snap onto symmetrical and asymmetrical rails.

Ordering

Color	Grey
Minimum Order Quantity	50 piece
Customs Tariff Number	85369010

Popular Downloads

Data Sheet, Technical Information	1SNC160019C0202
Instructions and Manuals	1SNC160019C0202

Dimensions

Product Net Width	8 mm
-------------------	------

Product Net Height	88 mm
Product Net Depth / Length	66 mm
Product Net Weight	33 g

Technical

Rated Cross-Section	6 mm ²
Spacing	8 mm
Connection Type	Screw Clamp
Function	Feed-through
Number of Levels	2
Connecting Capacity Main Circuit	Screw Clamp / Flexible 1x 0.5 ... 6 mm ² Screw Clamp / Rigid 1x 0.5 ... 10 mm ²
Gauge Type	A5
Rated Current (I _n)	Main Circuit 41 A
Rated Short-time Withstand Current (I _{cw})	for 1 s 720 A
Rated Voltage (U _r)	800 V
Rated Impulse Withstand Voltage (U _{imp})	8000 V
Dielectric Test Voltage	3500 V
Pollution Degree	3
Degree of Protection	acc. to IEC 60529, IEC 60947-1, EN 60529 Main Terminals IP20
Insulation Material	Polyamide
Mounting on DIN Rail	G32 (32 x 15 mm Mounting Rail) acc. to IEC 60715 TH35-7.5 (35 x 7.5 mm Mounting Rail) acc. to IEC 60715 TH35-15 (35 x 15 mm Mounting Rail) acc. to IEC 60715
Wire Stripping Length	12.0 mm
Recommended Screw Driver	4.5 mm
Tightening Torque	acc. IEC 60947-1 0.8 N·m Manufacturer 1 N·m

Technical UL/CSA

Maximum Operating Voltage UL/CSA	Main Circuit 600 V
Connecting Capacity Main Circuit UL/CSA	Screw Clamp / Rigid 1x 18 ... 8 AWG
Connecting Capacity UL/CSA	Screw Clamp / Rigid 18 ... 8 AWG Stranded 8 AWG
Flammability According to UL94	V-0

Environmental

Ambient Air Temperature	Operation -55 ... +110 °C Storage -55 ... +110 °C
RoHS Status	Following EU Directive 2002/95/EC August 18, 2005 and amendment

Certificates and Declarations (Document Number)

CSA Certificate	1SND161054A0200
cUL Certificate	1SND161000A0203
Declaration of Conformity - CE	1SND225014U1000

EAC Certificate	1SND161009A1100
Environmental Information	1SND220002E1002
Instructions and Manuals	1SNC160019C0202
RoHS Information	1SND230023F0208

Classifications

Object Classification Code		X
ETIM 4	EC000897 - Feed-through terminal block	
ETIM 5	EC000897 - Feed-through terminal block	
ETIM 6	EC000897 - Feed-through terminal block	

Container Information

Package Level 1 Units	50 piece
Package Level 1 Width	176 mm
Package Level 1 Depth / Length	200 mm
Package Level 1 Height	75 mm
Package Level 1 Gross Weight	1.65 kg
Package Level 1 EAN	3472591155013
Package Level 2 Units	450 piece
Package Level 2 Width	300 mm
Package Level 2 Depth / Length	500 mm
Package Level 2 Height	300 mm
Package Level 2 Gross Weight	14.85 kg
Package Level 3 Units	10800 piece

Categories

Low Voltage Products and Systems → Connection Devices → Terminal Blocks → SNA Series

