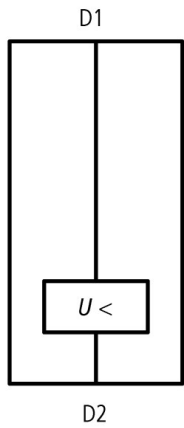




Undervoltage release, 230V50Hz

Part no. U-PKZ0(230V50HZ)
Catalog No. 073135
Eaton Catalog No. XTPAXUVR230V50H
EL-Nummer (Norway) 0004355136

Delivery program

| | | |
|--|--|---|
| Product range | | Accessories |
| Accessories | | Undervoltage release |
| Actuating voltage | | 230 V 50 Hz |
| Voltage type | | Standard voltage |
| Current actuation | | AC |
| Contact sequence | |  |
| Connection technique | | Screw terminals |
| For use with | | Undervoltage release PKZ0(4), PKE |
| For use with | | PKZM0 PKZM4 PKZM0-T PKM0 PKZM01 PKE |
| <p>Notes Can be fitted to the left of: Motor protective circuit-breaker Cannot be combined with: A-PKZ0 shunt release When combined with circuit-breaker can be used as emergency switching-off device according to EN 60204.</p> <p>Notes Can be fitted to left side of the motor protection switch Cannot be combined with shunt release A-PKZ0 When combined with circuit breaker, can be used as EMERGENCY STOP device in accordance with IEC/EN 60204</p> | | |

Technical data

General

| | | | |
|---|---------|------------------|--------------------------------------|
| Terminal capacities | | mm ² | |
| Solid or flexible conductor, with ferrule | | mm ² | 1 x (0,75 - 2,5) 2 x (0,75 - 2,5) |
| Solid or stranded | | AWG | 1 x (18 - 14) 2 x (18 - 14) |
| Actuating voltage | | | 230 V 50 Hz |
| Pick-up-/drop-out voltage | | | |
| Pick-up voltage | | x U _c | 0,85 - 1,1 |
| Drop-out voltage | | x U _c | 0,7- 0,35 |
| Power consumption | | | |
| AC | | | |
| Pull-in power | Pick-up | VA | 5 |

| | | | |
|---------------|---------|----|---|
| Sealing power | Sealing | VA | 3 |
|---------------|---------|----|---|

Design verification as per IEC/EN 61439

| Technical data for design verification | | | |
|--|------------|----|-----|
| Rated operational current for specified heat dissipation | I_n | A | 0 |
| Heat dissipation per pole, current-dependent | P_{vid} | W | 0 |
| Equipment heat dissipation, current-dependent | P_{vid} | W | 0 |
| Static heat dissipation, non-current-dependent | P_{vs} | W | 0.5 |
| Heat dissipation capacity | P_{diss} | W | 0 |
| Operating ambient temperature min. | | °C | -25 |
| Operating ambient temperature max. | | °C | 55 |
| IEC/EN 61439 design verification | | | |
| 10.2 Strength of materials and parts | | | |
| 10.2.2 Corrosion resistance | | | |
| 10.2.3.1 Verification of thermal stability of enclosures | | | |
| 10.2.3.2 Verification of resistance of insulating materials to normal heat | | | |
| 10.2.3.3 Verification of resistance of insulating materials to abnormal heat and fire due to internal electric effects | | | |
| 10.2.4 Resistance to ultra-violet (UV) radiation | | | |
| 10.2.5 Lifting | | | |
| 10.2.6 Mechanical impact | | | |
| 10.2.7 Inscriptions | | | |
| 10.3 Degree of protection of ASSEMBLIES | | | |
| 10.4 Clearances and creepage distances | | | |
| 10.5 Protection against electric shock | | | |
| 10.6 Incorporation of switching devices and components | | | |
| 10.7 Internal electrical circuits and connections | | | |
| 10.8 Connections for external conductors | | | |
| 10.9 Insulation properties | | | |
| 10.9.2 Power-frequency electric strength | | | |
| 10.9.3 Impulse withstand voltage | | | |
| 10.9.4 Testing of enclosures made of insulating material | | | |
| 10.10 Temperature rise | | | |
| 10.11 Short-circuit rating | | | |
| 10.12 Electromagnetic compatibility | | | |
| 10.13 Mechanical function | | | |

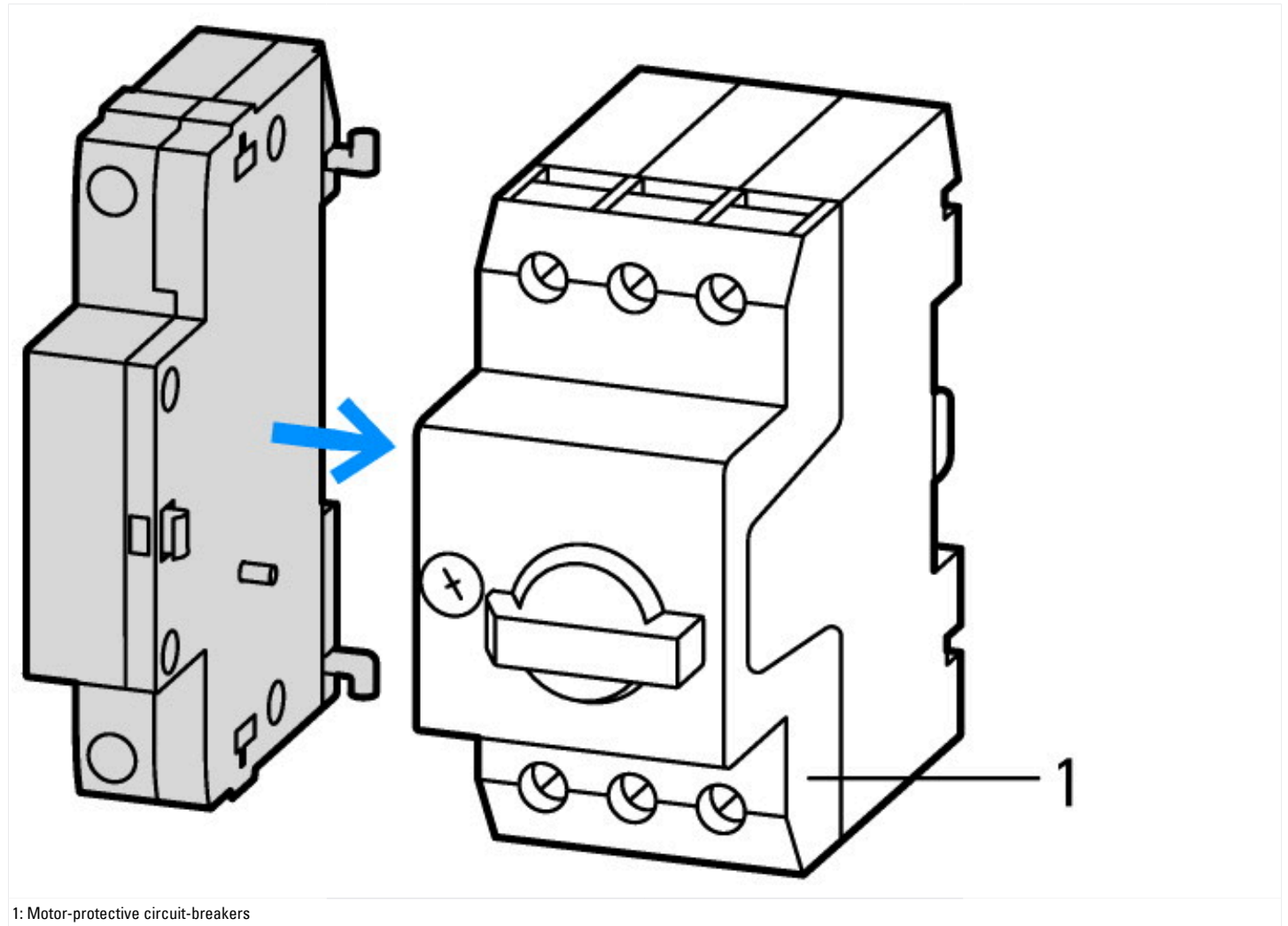
Technical data ETIM 7.0

| Low-voltage industrial components (EG000017) / Under voltage coil (EC001022) | | | |
|--|--|---|------------------|
| Electric engineering, automation, process control engineering / Low-voltage switch technology / Circuit breaker (LV < 1 kV) / Undervoltage trip (ecl@ss10.0.1-27-37-04-17 [AKF015013]) | | | |
| Rated control supply voltage U_s at AC 50HZ | | V | 230 - 230 |
| Rated control supply voltage U_s at AC 60HZ | | V | 0 - 0 |
| Rated control supply voltage U_s at DC | | V | 0 - 0 |
| Voltage type for actuating | | | AC |
| Type of electric connection | | | Screw connection |
| Number of contacts as normally open contact | | | 0 |
| Number of contacts as normally closed contact | | | 0 |
| Number of contacts as change-over contact | | | 0 |
| Delayed | | | No |
| Suitable for power circuit breaker | | | No |
| Suitable for off-load switch | | | No |
| Suitable for motor safety switch | | | Yes |
| Suitable for overload relay | | | No |

Approvals

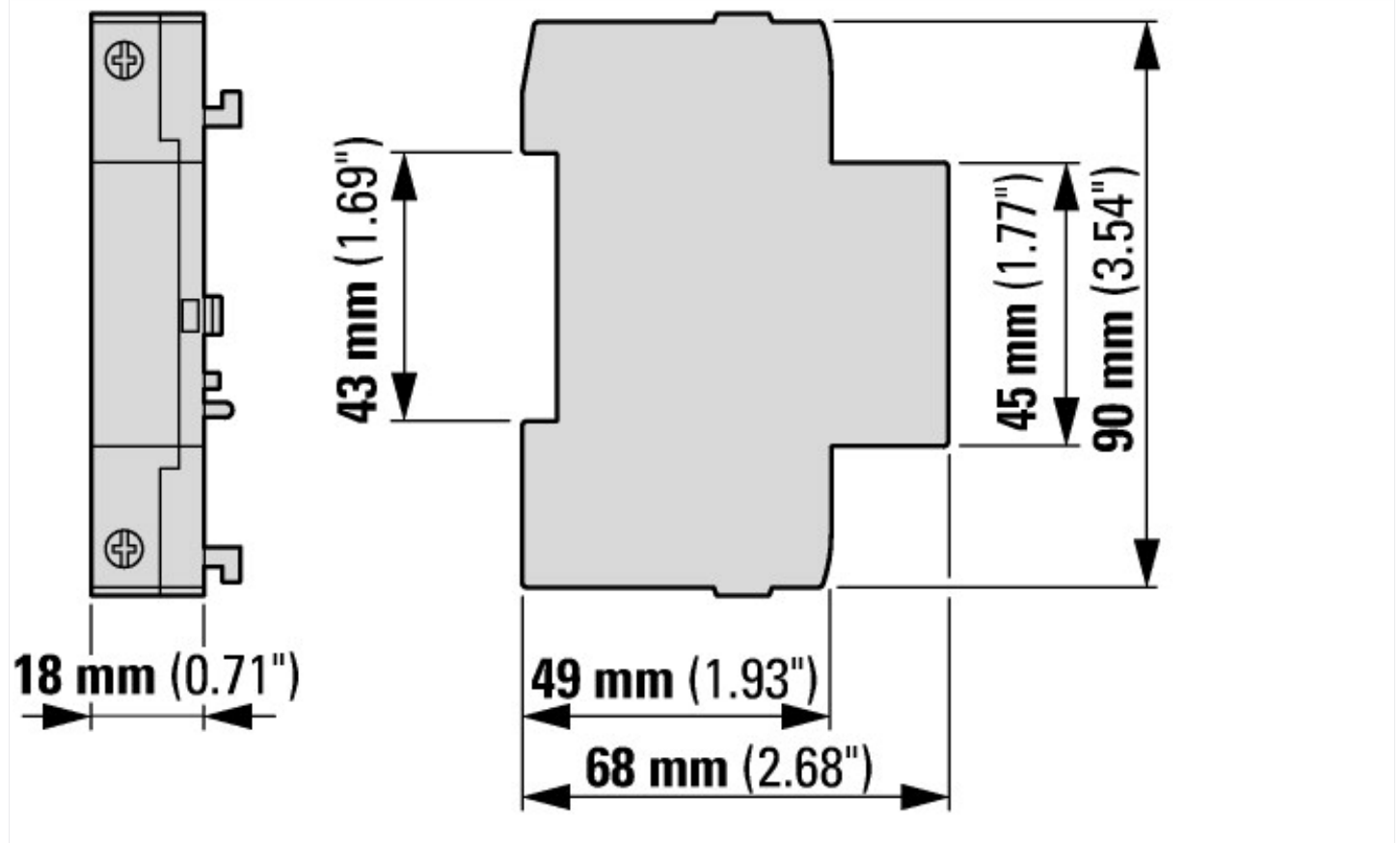
| | | |
|--------------------------------------|--|--|
| Product Standards | | UL 508; CSA-C22.2 No. 14; IEC60947-4-1; CE marking |
| UL File No. | | E36332 |
| UL Category Control No. | | NLRV |
| CSA File No. | | 165628 |
| CSA Class No. | | 3211-05 |
| North America Certification | | UL listed, CSA certified |
| Specially designed for North America | | No |

Characteristics



1: Motor-protective circuit-breakers

Dimensions



Additional product information (links)

IL03402034Z (AWA1210-1945) Motor-protective circuit-breaker, Starter

IL03402034Z (AWA1210-1945) Motor-protective circuit-breaker, Starter ftp://ftp.moeller.net/DOCUMENTATION/AWA_INSTRUCTIONS/IL03402034Z2018_06.pdf

IL03407011Z (AWA1210-1925) Motor-protective circuit-breaker

IL03407011Z (AWA1210-1925) Motor-protective circuit-breaker ftp://ftp.moeller.net/DOCUMENTATION/AWA_INSTRUCTIONS/IL03407011Z2018_04.pdf

Motor starters and "Special Purpose Ratings" for the North American market http://www.eaton.eu/ecm/groups/public/@pub/@europe/@electrical/documents/content/pct_3258146.pdf

Busbar Component Adapters for modern Industrial control panels http://www.moeller.net/binary/ver_techpapers/ver960en.pdf