

Data sheet

Art.No.: 54.504.9055.0

Earth terminal WK 4 SL/U

Earth terminal with screw connection for mounting on TS 35 and TS 32, nominal cross section: 4mm², width: 6.2mm, color: green/yellow



Art.No.	54.504.9055.0
EAN	4049088311925
Order Unit	100

Certificates / Approvals



ATEX



Technical data

General

Nominal cross section	4 mm ²
Color	Green/yellow
Number of levels	1
Number of clamp positions per level	2
Width/grid dimension	6 mm
Inflammability class of insulation material acc. with UL94	V0
Explosion-tested version "Ex e"	Yes
Mounting method	DIN rail (top hat rail)/G-rail
Terminal blocks for electrical installations	Yes

Technical data

Rated voltage	800 V
Rated impulse voltage	8 kV
Pollution degree	3
Closing plate required	No
Type of insulation material	Thermoplastic

Connection Data

Connection type 1	Screw connection
Connection type 2	Screw connection
Minimum cross section solid	0.5 mm ²
Maximum cross section solid	6 mm ²
Minimum cross section fine stranded	0.5 mm ²

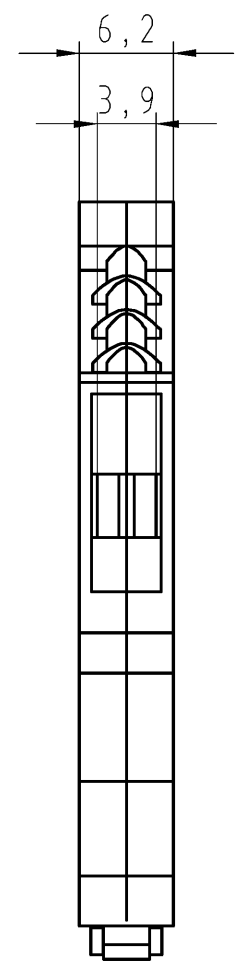
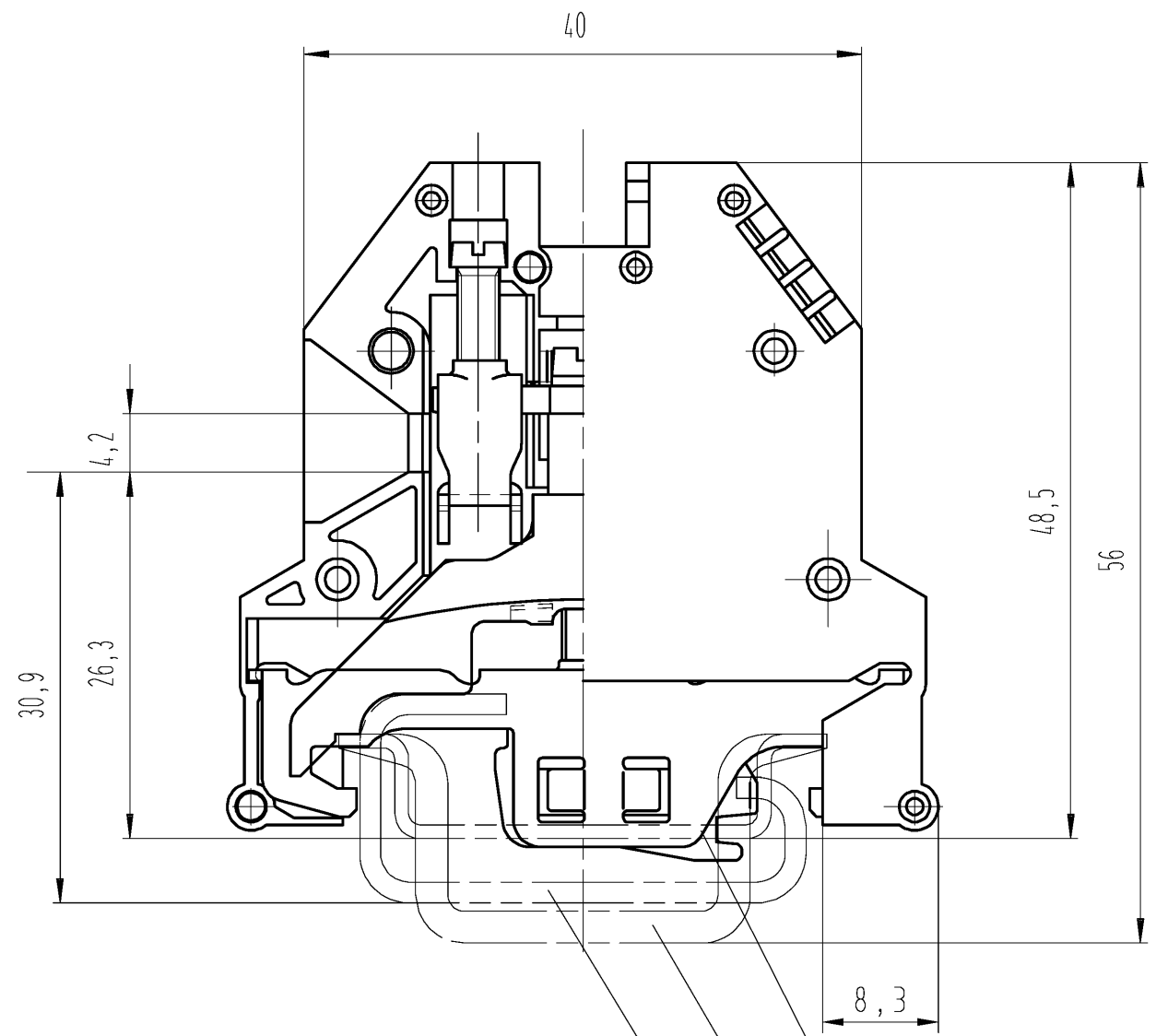
Maximum cross section fine stranded	4 mm ²
Wire strip length	9 mm
Torque conductor mounting	0.5 Nm
Torque rail mounting	0,5

Technical Data UL/CSA

Cross section UL	22-10 AWG
Cross section CSA	20-10 AWG

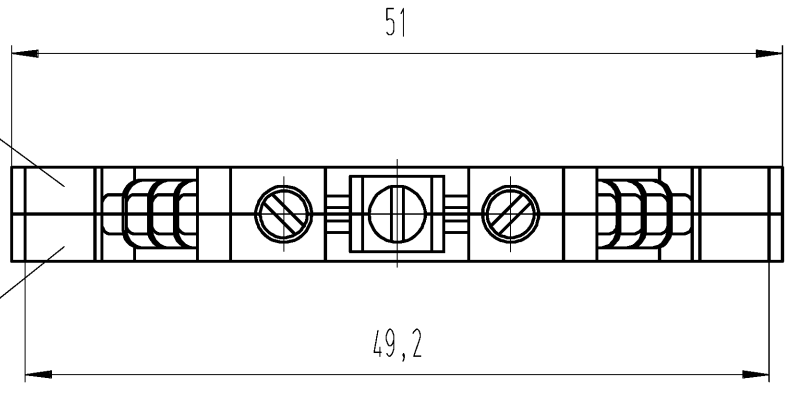
Classification

ECLASS 8.1	27141141
ETIM 7.0	EC000901
ETIM 6.0	EC000901
ETIM 5.0	EC000901
ETIM 4.0	EC000901
ETIM 3.0	EC000901



Hutschiene EN 60715-35x7,5
 mounting rail EN 60715-35x7,5
 Hutschiene EN 60715-35x15
 mounting rail EN 60715-35x15
 G-Schiene EN 60715-G32
 G-rail EN 60715-G32

Farbe: grün
 colour: green



Farbe: gelb
 colour: yellow

Weitere Daten siehe Katalog
 further data see catalog

Teile-Nr. part-number	Typ type
54.504.9055.0	WK 4 SL/U VO

Tolerierung Size ISO 14405 (E)/Tolerance system Size ISO 14405 (E). (This ISO-standard describes the envelope principle. According to the envelope principle the deviations of form and parallelism are limited by the size tolerances).				ja/yes <input checked="" type="checkbox"/> Stoffverbots- und Deklarationsliste nach WN 5020.010 ist einzuhalten. Conformity with Wieland document WN 5020.010 e (list of prohibited / declarable hazardous substances) to be declared!					
Freitoleranz nach General tolerance		DIN ISO 2768 - m		CAD - Zeichnung, keine manuellen Änderungen CAD - drawing, no manual modifications allowed		1. Verwendung: - First Use:		Blatt: 1 von 1 Sheet: of 1	
/		Werkstoff/Material		2015 Tag/Date		Name		Zeichnung Nr./Drawing No.	
/		Maßstab/Scale		gezeichnet drawn		25.03. Hollet		T 54.504.9055.0 01K	
/		2:1		geprüft checked		-		Index	
/		Vol. mm³		Ofl./Surf. mm²		Ersatz für/Replacement for: -		Maße in mm/Dimensions are in mm	
/		www.wieland		Type		Benennung/Title		SCHUTZLEITERKLEMME	
/		www.wieland-electric.com		Datum / Blatt Date / Sheet		Earth terminal			
Änderung/Revision									

Weitergabe sowie Vervielfältigung dieses Dokuments, Verwertung und Mitteilung seines Inhalts sind verboten, soweit nicht ausdrücklich gestattet. Die Reproduktion, Distribution und Utilization of this document as well as the communication of its contents to others without express authorization is prohibited.