

Data sheet

Commercial Art.No.: 46.031.5054.1

Device connector RST16I3/2S B1 M02 SW

RST16i3/2 device connector M16, 2 pole, female, screw connection, application 250V, 16A, coding color black



Commercial Art.No.	46.031.5054.1
EAN	4049088296093
Order Unit	1

Certificates / Approvals



Technical data

General

Rated current	16 A
Rated voltage	250 V / 400 V
Pollution degree	3
Rated impulse voltage	4 kV
Lockable	self-locking (unlocking by hand)
Color of coding/ contact carrier	black
Marking of poles	L, N

Connection Data

Connection cross section solid mm ² max.	2.5 mm ²
Connection cross section solid mm ² min.	0.25 mm ²
Connection cross section fine stranded mm ² max.	2.5 mm ²
Connection cross section fine stranded mm ² min.	0.25 mm ²
Terminations per pole	1
Wire strip length	8 mm

Model

Model	female
Connection type	screw connection
Connecting thread metric	M16
Angle of plug	straight
Degree of protection (IP)	IP66/68 (3m;2h) /IP69
Thickness of housings (electrical device) 2	0.5 mm
Thickness of housings (electrical device)	5 mm

Material

Housing material	Polyamide
halogen free	yes
Contact material	CuZn
Fire load	0.06 kWh
Insulation components continuous temperature	100 °C

Surface finish	Silver-plated
----------------	---------------

Dimensions

Length	41.9 mm
Width	19.9 mm
Height	19.9 mm

Classification

ECLASS 11	
ECLASS 8.1	27440602
ETIM 7.0	EC002566
ETIM 6.0	EC002566
ETIM 5.0	EC002566
ETIM 4.0	EC002566

Note

Note	RST® terminals with screw clamping allow the connection of conductors without special preparation (without ferrules) according to EN 60999-1.; Positioning realised with flattened thread
------	---

Product compliance

ROHS conformity status	Compliant/Exempted
ROHS exceptions	III-6(c)
REACH-SVHC conformity status	Duty-To-Declare
REACH-SVHC substances	Lead
REACH-SVHC CAS numbers	7439-92-1

Fits with

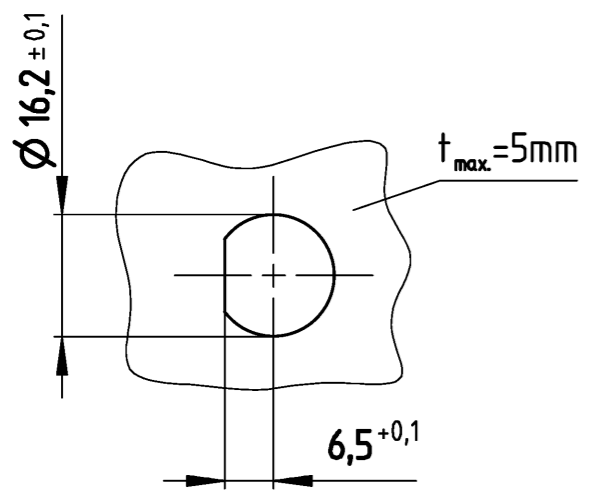
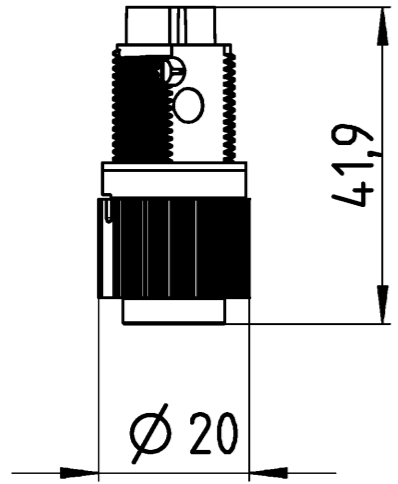
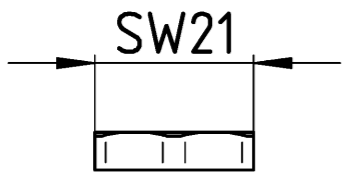
Commercial Art.No.:	Article-type description:	Description:
46.032.4554.1	Connector RST16i3/2S S1 ZT4 SW	RST16i3/2 connector, 2 pole, male, screw connection, application 250V, 16A, for cable diameters 5.0-9.5mm, coding color black, color of housing black
46.032.4454.0	Connector RST16i3/2S S1 ZT3 GL	RST16i3/2 connector, 2 pole, male, screw connection, application 250V, 16A, for cable diameters 7.1-13mm, coding color light grey, color of housing light grey

A
Weitergabe sowie Vervielfältigung dieses Dokuments, Verwertung und Mitteilung seines Inhalts sind verboten, soweit nicht ausdrücklich gestattet.
The reproduction, distribution and utilization of this document as well as the communication of its contents to others without express authorization is prohibited.

C
These dimensions will be especially checked at delivery
Only inspection dimensions
With IE marked dimensions are only valid for internal use

D
Diese Maße werden bei Abnahme besonders geprüft
Ausschließlich Prüfmaße
With IE gekennzeichnete Maße sind nur für interne Zwecke gültig

F



Kodierung / coding

(b)

Pol nicht montiert
pole not mounted
C1

(a)

Pol nicht montiert
pole not mounted
C2

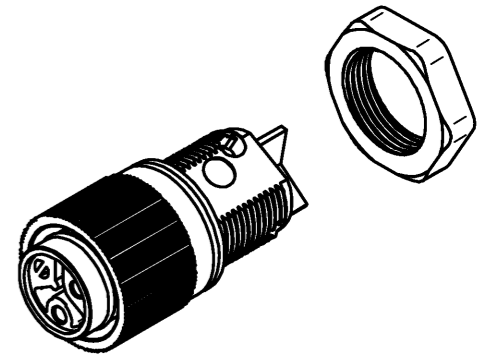
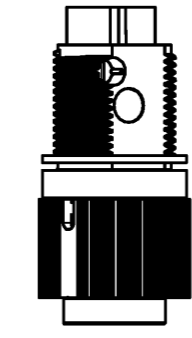
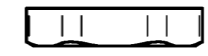
Pol nicht montiert
pole not mounted
C3

Pol nicht montiert
pole not mounted
C4

Pol nicht montiert
pole not mounted
C5

Gehäuseausschnitt / section of housing

Auslieferungszustand
delivery status



46.031.5051.6	RST16i3/2S B1 M02 A TB	C5	türkisblau /turquoiseblue
46.031.5054.9	RST16i3/2S B1 M02 H BL	C4	lichtblau /lightblue
46.031.5051.4	RST16i3/2S B1 M02 L BR	C3	signalbraun /signalbrown
46.031.5056.7	RST16i3/2S B1 M02 GN	C2	laubgrün /leaf green
46.031.5054.1	RST16i3/2S B1 M02 SW	C1	schwarz /black
46.031.5054.0	RST16i3/2S B1 M02 GL	C1	lichtgrau /lightgrey
Bestellnummer /order number	Typ /type	Kodierung /coding	Farbe /color
Weitere Daten siehe KATALOG oder eKatalog. Additional data see CATALOG or eCatalog.		www.wieland-electric.com eshop.wieland-electric.com	

Tolerierung Size ISO 14405 © / Tolerance system Size ISO 14405 ©.
(This ISO-standard describes the envelope principle. According to the envelope principle the deviations of form and parallelism are limited by the size tolerances).

ja/yes Stoffverbots- und Deklarationsliste nach WN 5020.010 ist einzuhalten.
Conformity with Wieland document WN 5020.010 e (list of prohibited / declarable hazardous substances) to be declared!

Freitoleranz nach General tolerance CAD - Zeichnung, keine manuellen Änderungen CAD - drawing, no manual modifications allowed 1. Verwendung: First Use: Blatt: 1 von 1 Sheet: 1 of 1

Werkstoff / Material	Tag/Date	Name	Zeichnung Nr. / Drawing No. 46.031.5054.013K	Index b
Maßstab / Scale 1:1	gezeichnet / drawn 22.07.2016 geprüft / checked Normgepr. / Stand. check	Hollet		
Vol. mm ³ / Dfl./Srf. mm ²	Ersatz für / Replacement for:			
b 13.10.2020 / a 09.05.2019 / Index Datum / Blatt Date / Sheet Änderung / Revision	wieland www.wieland-electric.com		Type RST16i3 Benennung/Title BUCHSENTEIL Geräteanschluss, 3-polig female connector, device connection, 3 poles	