

## Data sheet

Commercial Art.No.: 46.032.4553.1

Connector RST16i3 S S1 ZT4 SW

RST16i3 connector, 3 pole, male, screw connection, application 250V with PE, 16A, for cable diameters 5.0-9.5mm, coding color black, color of housing black



Commercial Art.No.	46.032.4553.1
EAN	4049088279164
Order Unit	1

Certificates / Approvals



## Technical data

### General

Rated current	16 A
Rated voltage	250 V
Rated impulse voltage	4 kV
strain relief	yes
Pollution degree	3
Lockable	self-locking (unlocking by hand)
Color of coding/ contact carrier	black
Marking of poles	L, N, PE
Color of housing inclusive strain relief	black

### Connection Data

Cable diameter max.	9.5 mm
Cable diameter min.	5 mm
Connection cross section solid mm <sup>2</sup> max.	2.5 mm <sup>2</sup>
Connection cross section solid mm <sup>2</sup> min.	0.25 mm <sup>2</sup>
Connection cross section fine stranded mm <sup>2</sup> max.	1.5 mm <sup>2</sup>
Connection cross section fine stranded mm <sup>2</sup> min.	0.25 mm <sup>2</sup>
Terminations per pole	1
Connection cross section stranded mm <sup>2</sup> min.	0.25 mm <sup>2</sup>
Connection cross section stranded mm <sup>2</sup> max.	1.5 mm <sup>2</sup>
sheath strip length	25 mm
Wire strip length	8 mm

### Model

Model	male
Connection type	screw connection

Degree of protection (IP)	IP66/68 (3m;2h) /IP69
---------------------------	-----------------------

#### Material

Housing material	Polyamide
halogen free	yes
Contact material	CuZn
Fire load	0 kWh
Insulation components continuous temperature	100 °C
Surface finish	Silver-plated

#### Dimensions

Length	64 mm
Width	19.9 mm
Height	19.9 mm

#### Classification

ECLASS 11	
ECLASS 8.1	27440605
ETIM 7.0	EC002560
ETIM 6.0	EC002560
ETIM 5.0	EC002560
ETIM 4.0	EC002560

#### Note

Note	RST® terminals with screw clamping allow the connection of conductors without special preparation (without ferrules) according to EN 60999-1.
------	---

#### Product compliance

ROHS conformity status	Compliant/Exempted
ROHS exceptions	III-6(c)
REACH-SVHC conformity status	Duty-To-Declare
REACH-SVHC substances	Lead
REACH-SVHC CAS numbers	7439-92-1

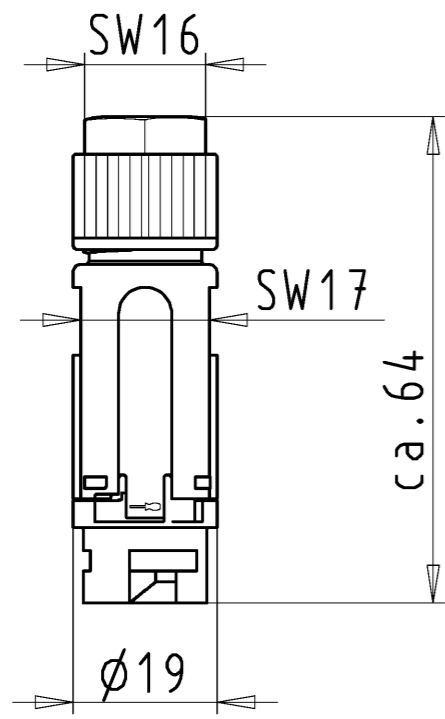
#### Fits with

Commercial Art.No.:	Article-type description:	Description:
46.031.5053.1	Device connector RST16i3 S B1 M02 SW	RST16i3 device connector M16, 3 pole, female, screw connection, application 250V with PE, 16A, coding color black
46.432.1000.1	Cable assembly RST16i3KSBS 15P 10SW	RST16i3 extension cable, female - male, 3 pole, assembled with screw connection, application 250V with PE, 16A, cable type H05VV-F, length 1.0m, cross section 1.5mm <sup>2</sup> , coding color black
46.030.0153.1	Distributor RST16i3B 3P1 F G V SW	RST16i3 compact distribution unit, 3 pole, application 250V with PE, 16 A, 1 input and 3 outputs, fastening option, coding color black, color of housing black
46.031.4553.1	Connector RST16i3 S B1 ZT4 SW	RST16i3 connector, 3 pole, female, screw connection, application 250V with PE, 16A, for cable diameters 5.0-9.5mm, coding color black, color of housing black






46.030.1253.1	Distributor RST16i3V 2P1 TGVG SW	RST16i3 distribution block, 3 pole, application 250V with PE, 16 A, 1 input and 2 outputs, fastening option with separate mounting plate, coding color black
---------------	----------------------------------	--

These dimensions will be especially checked at delivery  
 Only inspection dimensions  
 With /E marked dimensions are only valid for internal use

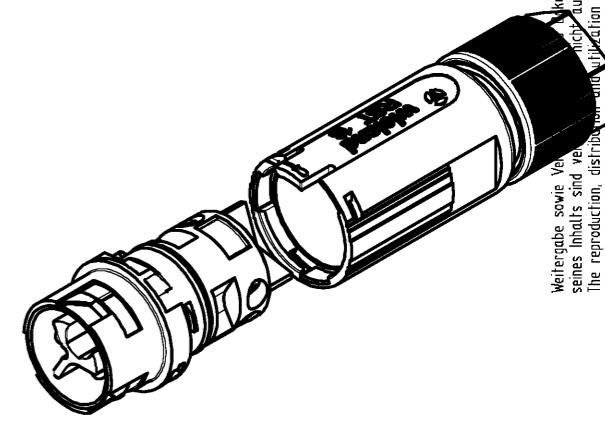
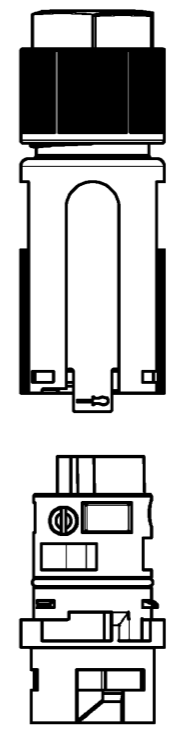
Diese Maße werden bei Abnahme besonders geprüft  
 Ausschließlich Prüfmaße  
 Mit /E gekennzeichnete Maße sind nur für interne Zwecke gültig



**Kodierung**  
/Coding

-  C1
-  C2
-  C3
-  C4
-  C5

**Auslieferungszustand**  
delivery condition



Weitergabe sowie Verwertung des Dokuments, Verwertung und Mitteilung seines Inhalts sind ausdrücklich gestattet.  
 The reproduction, distribution and application of this document as well as the communication of its contents to others without express authorization is prohibited.

46.032.4550.6	RST16 I3	S S1 ZT4S A TB	C5	türkisblau /turquoise blue
46.032.4553.9	RST16 I3	S S1 ZT4S H BL	C4	lichtblau /light blue
46.032.4550.4	RST16 I3	S S1 ZT4S L BR	C3	signalbraun /signal brown
46.032.4555.7	RST16 I3	S S1 ZT4S GN	C2	laubgrün /leaf green
46.032.4553.1	RST16 I3	S S1 ZT4 SW	C1	schwarz /black
46.032.4553.0	RST16 I3	S S1 ZT4 GL	C1	lichtgrau /light grey

Bestellnummer /Order number	Typ /Type	Kodierung /Coding	
<b>Weitere Daten siehe KATALOG oder eKatalog.</b> Additional data see CATALOG or eCatalog.		<b>www.wieland-electric.com</b> eshop.wieland-electric.com	

Tolerierung Size ISO 14405 (Tolerance system Size ISO 14405).  
 (This ISO-standard describes the envelope principle. According to the envelope principle the deviations of form and parallelism are limited by the size tolerances).

ja/yes  Stoffverbots- und Deklarationsliste nach WN 5020.010 ist einzuhalten.  
 Conformity with Wieland document WN 5020.010 e (list of prohibited / declarable hazardous substances) to be declared!

Freitoleranz nach General tolerance	CAD - Zeichnung, keine manuellen Änderungen CAD - drawing, no manual modifications allowed	1. Verwendung: First Use: -	Blatt: 1 von 1 Sheet: of 1
Werkstoff/Material	2014 Tag/Date Name	Zeichnung Nr./Drawing No.	
Maßstab/Scale 1:1	gezeichnet/drawn 02.09. Treschan	T 46.032.4553.0 13K a	
Vol. mm <sup>3</sup> / Ofl./Surf. mm <sup>2</sup>	geprüft/checked Normgepr. / Stand. check	Maße in mm/Dimensions are in mm	
Änderung/Revision	Ersatz für/Replacement for: -	Type Benennung/Title	
a 06.10.2014/ Index Datum / Blatt Date / Sheet	wieland www.wieland-electric.com	RST16.. <b>STECKERTE IL</b> FA - mit Zugentlastung, 3-polig male with strain relief 3 poles	