

Data sheet

Art.No.: 70.320.0628.0

Bottom BAS GUT GK 6 A

revos BASIC size 6 open-bottom base single locking lever

1011011010001010010101101
 0100110110010110100101010
 101001101100111001010010
**DIGITALIZATION
 IN PROGRESS**
 10101001010101010101010
 1101010011011001011010010
 1010101010010101101010011

| | |
|------------|---------------|
| Art.No. | 70.320.0628.0 |
| EAN | 4015573220027 |
| Order Unit | 1 |

Certificates / Approvals



Technical data

General

| | |
|--|---------------------|
| Housing material | Aluminium |
| Color | Grey |
| Surface | With powder coating |
| Degree of protection (IP) | IP65 |
| UV resistant | Yes |
| Inflammability class of insulation material acc. with UL94 | Other |
| Operating temperature range min. | -40 °C |
| Operating temperature range max. | 120 °C |

Model

| | |
|------------------------|----------------------------------|
| Construction | 6 |
| Model | Equipment mounted (feed-through) |
| Locking mechanism | Single locking lever |
| Cable entry | None |
| Type of cable | None |
| With cable screw gland | No |
| Thread size PG | |
| Hinged lid | No |
| EMC-version | No |
| Length | 80 mm |
| Width | 43.5 mm |
| Height | 28.9 mm |

Classification

| | |
|------------|----------|
| ECLASS 8.1 | 27440202 |
| ETIM 7.0 | EC000437 |
| ETIM 6.0 | EC000437 |
| ETIM 5.0 | EC000437 |

| | |
|----------|----------|
| ETIM 4.0 | EC000437 |
| ETIM 3.0 | EC000437 |

Fits with

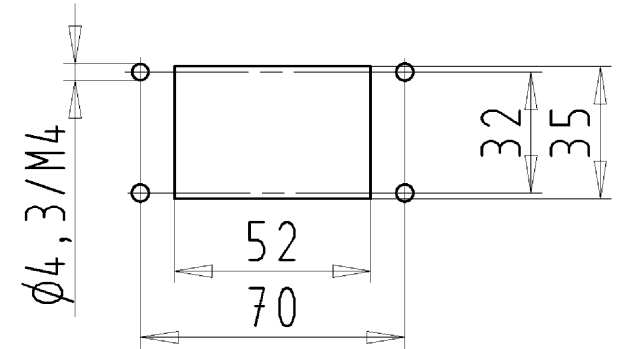
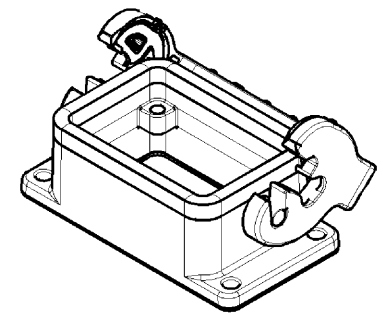
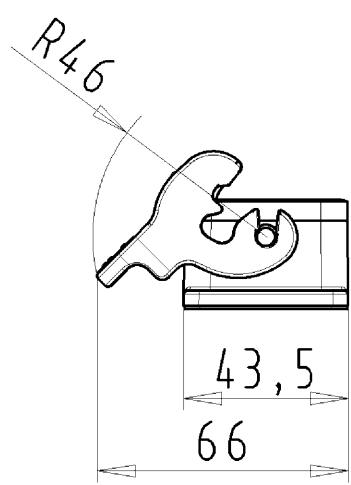
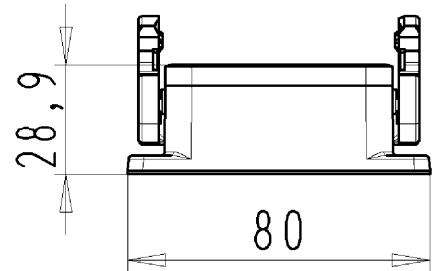
| Art.No.: | Article/type description: | Description: |
|---------------|-----------------------------|---|
| 70.350.0635.0 | Hood BAS GOT GG 6 M20 A0 | revos BASIC size 6 hood with cable gland M20, lateral cable entry, single locking lever |
| 70.350.0635.1 | Hood BAS GOT GG 6 M20 A1 | revos BASIC size 6 hood with threaded collar M20, lateral cable entry, single locking lever |
| 70.350.0635.2 | Hood BAS GOT GG 6 M20 A2 | revos BASIC size 6 hood with intermediate support M20, lateral cable entry, single locking lever |
| 70.352.0635.0 | Hood BAS GOT GI 6 M20 A0 | revos BASIC size 6 hood with cable gland M20, top cable entry, single locking lever |
| 70.352.0635.1 | Hood BAS GOT GI 6 M20 A1 | revos BASIC size 6 hood with threaded collar M20, top cable entry, single locking lever |
| 70.352.0635.2 | Hood BAS GOT GI 6 M20 A2 | revos BASIC size 6 hood with intermediate support M20, top cable entry, single locking lever |
| 70.353.0635.0 | Hood BAS GOT GG 6 M25 A0 | revos BASIC size 6 hood with cable gland M25, lateral cable entry, single locking lever |
| 70.353.0635.1 | Hood BAS GOT GG 6 M25 A1 | revos BASIC size 6 hood with threaded collar M25, lateral cable entry, single locking lever |
| 70.353.0635.2 | Hood BAS GOT GG 6 M25 A2 | revos BASIC size 6 hood with intermediate support M25, lateral cable entry, single locking lever |
| 70.354.0635.0 | Hood BAS GOT GI 6 M25 A0 | revos BASIC size 6 hood with cable gland M25, top cable entry, single locking lever |
| 70.354.0635.1 | Hood BAS GOT GI 6 M25 A1 | revos BASIC size 6 hood with threaded collar M25, top cable entry, single locking lever |
| 70.354.0635.2 | Hood BAS GOT GI 6 M25 A2 | revos BASIC size 6 hood with intermediate support M25, top cable entry, single locking lever |
| 73.350.0635.0 | Hood BAS GOT GG 6HM25 69 A0 | revos BASIC size 6H hood with cable gland M25, lateral cable entry, high design, single locking lever |
| 73.350.0635.1 | Hood BAS GOT GG 6HM25 69 A1 | revos BASIC size 6H hood with threaded collar M25, lateral cable entry, high design, single locking lever |
| 73.351.0635.0 | Hood BAS GOT GH 6HM20 A0 | |
| 73.351.0635.1 | Hood BAS GOT GH 6HM20 A1 | |
| 73.351.0635.3 | Hood BAS GOT GH 6HM20 A3 | |
| 73.352.0635.0 | Hood BAS GOT GI 6HM25 69 A0 | revos BASIC 500V size 6H hood with cable gland M25, top cable entry, high design, single locking lever |
| 73.352.0635.1 | Hood BAS GOT GI 6HM25 69 A1 | revos BASIC 500V size 6H hood with threaded collar M25, top cable entry, high design, single locking lever |
| 73.352.0635.2 | Hood BAS GOT GI 6HM25 69 A2 | revos BASIC size 6H hood with intermediate support M25, top cable entry, high design, single locking lever |
| 73.353.0635.0 | Hood BAS GOT GG 6HM32 69 A0 | revos BASIC size 6H hood with cable gland M32, lateral cable entry, high design, single locking lever |
| 73.353.0635.1 | Hood BAS GOT GG 6HM32 69 A1 | revos BASIC size 6H hood with threaded collar M32, lateral cable entry, high design, single locking lever |
| 73.353.0635.2 | Hood BAS GOT GG 6HM32 69 A2 | revos BASIC 500V size 6H hood with intermediate support M32, top cable entry, high design, single locking lever |
| 73.354.0635.0 | Hood BAS GOT GI 6HM32 69 A0 | revos BASIC 500V size 6H hood with cable gland M32, top cable entry, high design, single locking lever |
| 73.354.0635.1 | Hood BAS GOT GI 6HM32 69 A1 | revos BASIC 500V size 6H hood with threaded collar M32, top cable entry, high design, single locking lever |
| 73.354.0635.2 | Hood BAS GOT GI 6HM32 69 A2 | revos BASIC size 6H hood with intermediate support M32, top cable entry, high design, single locking lever |

These dimensions will be especially checked at delivery
Only inspection dimensions
With /E marked dimensions are only valid for internal use

Diese Maße werden bei Abnahme besonders geprüft
Ausschließlich Prüfmaße
Mit /E gekennzeichnete Maße sind nur für interne Zwecke gültig

These dimensions will be especially checked at delivery
Only inspection dimensions
With /E marked dimensions are only valid for internal use

These dimensions will be especially checked at delivery
Only inspection dimensions
With /E marked dimensions are only valid for internal use



Bohrbild /Cut out

| | |
|-----------------------------|----------------|
| 70.320.0628.0 | BAS GUT GK 6 A |
| Bestellnummer /Order number | Typ /Type |

Weitere Daten siehe KATALOG oder eKatalog. Additional data see CATALOG or eCatalog. www.wieland-electric.com
eshop.wieland-electric.com

| | | | |
|---|-------------------------------|---|--|
| Tolerierung Size ISO 14405 (E) / Tolerance system Size ISO 14405 (E). (This ISO-standard describes the envelope principle. According to the envelope principle the deviations of form and parallelism are limited by the size tolerances). | | ja/yes <input checked="" type="checkbox"/> Stoffverbots- und Deklarationsliste nach UU-TQM-05/03 ist einzuhalten. Conformity with Wieland document UU-TQM-05/03 (list of prohibited / declarable hazardous substances) to be declared! | |
| Freitoleranz nach - General tolerance | | CAD - Zeichnung, keine manuellen Änderungen CAD - drawing, no manual modifications allowed | 1. Verwendung: - First Use: |
| Blatt: 1 von 1 Sheet: 1 of 1 | | Zeichnung Nr./Drawing No. Index | |
| 70.320.0628.0 13K | | Maße in mm/Dimensions are in mm | |
| Werkstoff/Material Aluminium beschichtet/coated grau/grey | | 2013 gezeichnet/drawn geprüft/checked Normgepr. /Stand. check | Tag/Date 10.06. Name Dvetsch |
| Vol. mm ³ / Ofl./Surf. mm ² | | Ersatz für/Replacement for: - | |
| wieland Elektrische Verbindungen | | Type revos BASIC | Benennung/Titel GEHÄUSEUNTERTEIL Baugröße 6 offen OPEN HOUSING size 6 |
| Index | Datum / Blatt Date / Sheet | | |
| Änderung/Revision | | | |

Weitergabe sowie Vervielfältigung dieses Dokuments, Verwertung und Mitteilung seines Inhalts sind verboten, soweit nicht ausdrücklich gestattet.
The reproduction, distribution and utilization of this document as well as the communication of its contents to others without express authorization is prohibited.

703200628013K_2 CADW/5028 Treschan 2013-09-20T11:18:30 1.000