

Data sheet

Art.No.: 70.320.1028.0

Bottom BAS GUT GA 10 A

revos BASIC size 10 open-bottom bases, double locking lever

1011011010001010010101101
 0100110110010110100101010
 101001101100111001010010
**DIGITALIZATION
 IN PROGRESS**
 101010011010101010101010
 1101010011011001011010010
 1010101010010101101010011

Art.No.	70.320.1028.0
EAN	4015573220058
Order Unit	1

Certificates / Approvals



Technical data

General

Housing material	Aluminium
Color	Grey
Surface	With powder coating
Degree of protection (IP)	IP54
UV resistant	Yes
Inflammability class of insulation material acc. with UL94	Other
Operating temperature range min.	-40 °C
Operating temperature range max.	120 °C

Model

Construction	10
Model	Equipment mounted (feed-through)
Locking mechanism	Double locking levers
Cable entry	None
Type of cable	None
With cable screw gland	No
Thread size PG	
Hinged lid	No
EMC-version	No
Length	93 mm
Width	43 mm
Height	28 mm

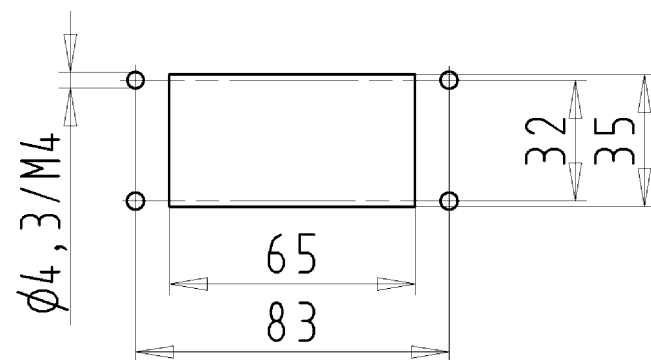
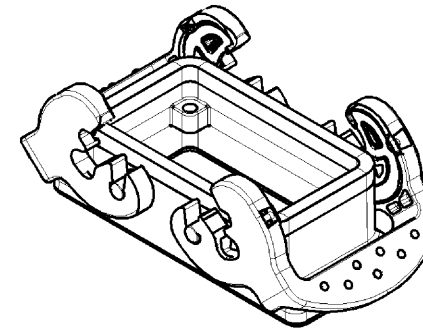
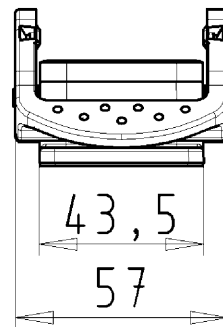
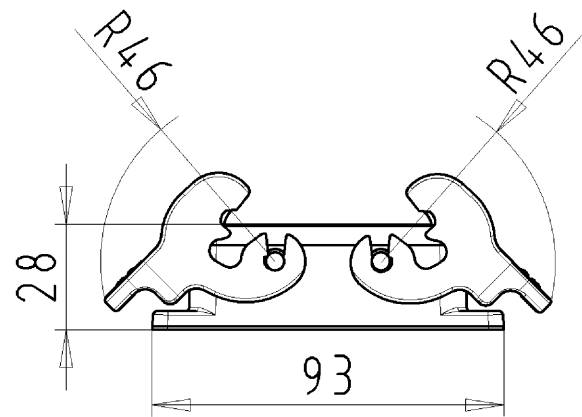
Classification

ECLASS 8.1	27440202
ETIM 7.0	EC000437
ETIM 6.0	EC000437
ETIM 5.0	EC000437

ETIM 4.0	EC000437
----------	----------

Fits with

Art.No.:	Article/type description:	Description:
70.350.1035.0	Hood BAS GOT GA 10 M20 A0	revos BASIC size 10 hood with cable gland M20, lateral cable entry, double locking lever
70.350.1035.1	Hood BAS GOT GA 10 M20 A1	revos BASIC size 10 hood with threaded collar M20, lateral cable entry, double locking lever
70.350.1035.2	Hood BAS GOT GA 10 M20 A2	revos BASIC size 10 hood with intermediate support M20, lateral cable entry, double locking lever
70.352.1035.0	Hood BAS GOT GC 10 M20 A0	revos BASIC size 10 hood with cable gland M20, top cable entry, double locking lever
70.352.1035.1	Hood BAS GOT GC 10 M20 A1	revos BASIC size 10 hood with threaded collar M20, top cable entry, double locking lever
70.352.1035.2	Hood BAS GOT GC 10 M20 A2	revos BASIC size 10 hood with intermediate support M20, top cable entry, double locking lever
70.353.1035.0	Hood BAS GOT GA 10 M25 A0	revos BASIC size 10 hood with cable gland M25, lateral cable entry, double locking lever
70.353.1035.1	Hood BAS GOT GA 10 M25 A1	revos BASIC size 10 hood with threaded collar M25, lateral cable entry, double locking lever
70.353.1035.2	Hood BAS GOT GA 10 M25 A2	revos BASIC size 10 hood with intermediate support M25, lateral cable entry, double locking lever
70.354.1035.0	Hood BAS GOT GC 10 M25 A0	revos BASIC size 10 hood with cable gland M25, top cable entry, double locking lever
70.354.1035.1	Hood BAS GOT GC 10 M25 A1	revos BASIC size 10 hood with threaded collar M25, top cable entry, double locking lever
70.354.1035.2	Hood BAS GOT GC 10 M25 A2	revos BASIC size 10 hood with intermediate support M25, top cable entry, double locking lever
73.350.1035.0	Hood BAS GOT GA 10HM25 50 A0	revos BASIC size 10H hood with cable gland M25, lateral cable entry, high design, double locking lever
73.350.1035.1	Hood BAS GOT GA 10HM25 50 A1	revos BASIC size 10H hood with threaded collar M25, lateral cable entry, high design, double locking lever
73.351.1035.0	Hood BAS GOT GB 10H M20 A0	
73.351.1035.1	Hood BAS GOT GB 10H M20 A1	
73.352.1035.0	Hood BAS GOT GC 10HM25 50 A0	revos BASIC size 10H hood with cable gland M25, top cable entry, high design, double locking lever
73.352.1035.1	Hood BAS GOT GC 10HM25 50 A1	revos BASIC size 10H hood with threaded collar M25, top cable entry, high design, double locking lever
73.353.1035.0	Hood BAS GOT GA 10HM32 50 A0	revos BASIC size 10H hood with cable gland M32, lateral cable entry, high design, double locking lever
73.353.1035.1	Hood BAS GOT GA 10HM32 50 A1	revos BASIC size 10H hood with threaded collar M32, lateral cable entry, high design, double locking lever
73.354.1035.0	Hood BAS GOT GC 10HM32 50 A0	revos BASIC size 10H hood with cable gland M32, top cable entry, high design, double locking lever
73.354.1035.1	Hood BAS GOT GC 10HM32 50 A1	revos BASIC size 10H hood with threaded collar M32, top cable entry, high design, double locking lever



Bohrbild
/cut out

These dimensions will be especially checked at delivery
Only inspection dimensions
With ±E marked dimensions are only valid for internal use

Diese Maße werden bei Abnahme besonders geprüft
Ausschließlich Prüfmaße
Mit ±E gekennzeichnete Maße sind nur für interne Zwecke gültig

70.320.1028.0	BAS GUT GA 10 A
Bestellnummer /Order number	Typ /Type

Weitere Daten siehe KATALOG oder eKatalog.
Additional data see CATALOG or eCatalog.

www.wieland-electric.com
eshop.wieland-electric.com

Tolerierung Size ISO 14405 (Tolerance system Size ISO 14405). (This ISO-standard describes the envelope principle. According to the envelope principle the deviations of form and parallelism are limited by the size tolerances).		ja/yes <input checked="" type="checkbox"/> Stoffverbots- und Deklarationsliste nach UU-TQM-05/03 ist einzuhalten. Conformity with Wieland document UU-TQM-05/03 (list of prohibited / declarable hazardous substances) to be declared!	
Freitoleranz nach - General tolerance		CAD - Zeichnung, keine manuellen Änderungen CAD - drawing, no manual modifications allowed	1. Verwendung: - First Use:
Blatt: 1 von 1 Sheet: 1 of 1		Zeichnung Nr./Drawing No. 70.320.1028.0 13K	
Maße in mm/Dimensions are in mm		Index	
Werkstoff/Material Aluminium beschichtet/coated grau/grey		2013 gezeichnet/drawn geprüft/checked Normgepr. / Stand. check	Tag/Date 11.06. Name Dvetsch
Vol. mm ³ / Ofl./Surf. mm ²		Ersatz für/Replacement for: -	
wieland Elektrische Verbindungen		Type revos BASIC	Benennung/Titel GEHAUSEUNTERTEIL Baugröße 10 offen OPEN HOUSING size 10
Index Änderung/Revision	Datum / Blatt Date / Sheet		

Weitergabe sowie Vervielfältigung dieses Dokuments, Verwertung und Mitteilung seines Inhalts sind verboten, soweit nicht ausdrücklich gestattet.
The reproduction, distribution and utilization of this document as well as the communication of its contents to others without express authorization is prohibited.

703201028013K_2_CADW/3028_Treschan 2013-09-20T11:18:41 1.000