

Data sheet

Art.No.: 70.320.1628.0

Bottom BAS GUT GA 16 A

revos BASIC size 16 open-bottom base, double locking lever



Art.No.	70.320.1628.0
EAN	4015573220089
Order Unit	1

Certificates / Approvals



Technical data

General

Housing material	Aluminium
Color	Grey
Surface	With powder coating
Degree of protection (IP)	IP54
UV resistant	Yes
Inflammability class of insulation material acc. with UL94	Other
Operating temperature range min.	-40 °C
Operating temperature range max.	120 °C

Model

Construction	16
Model	Equipment mounted (feed-through)
Locking mechanism	Double locking levers
Cable entry	None
Type of cable	None
With cable screw gland	No
Thread size PG	
Hinged lid	No
EMC-version	No
Length	113 mm
Width	44 mm
Height	28 mm

Classification

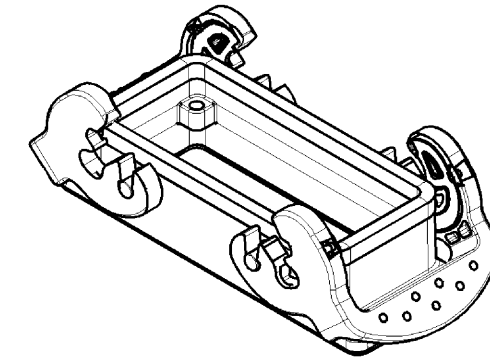
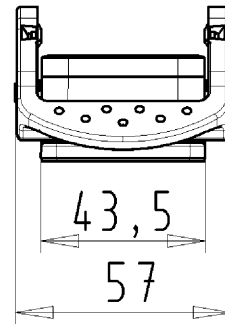
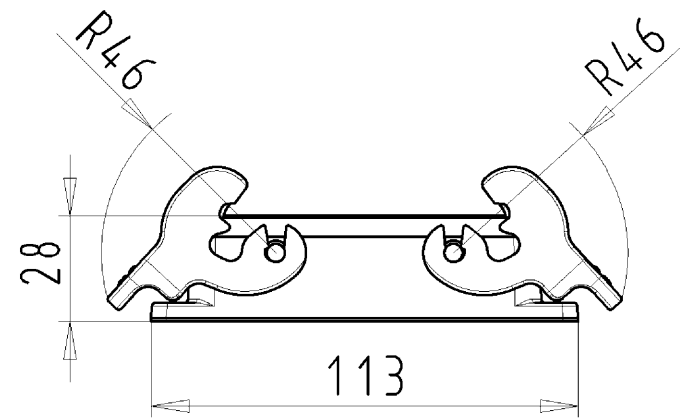
ECLASS 8.1	27440202
ETIM 7.0	EC000437
ETIM 6.0	EC000437

ETIM 5.0	EC000437
ETIM 4.0	EC000437
ETIM 3.0	EC000437

Fits with

Art.No.:	Article/type description:	Description:
70.350.1635.0	Hood BAS GOT GA 16 M25 A0	revos BASIC size 16 hood with cable gland M25, lateral cable entry, double locking lever
70.350.1635.1	Hood BAS GOT GA 16 M25 A1	revos BASIC size 16 hood with threaded collar M25, lateral cable entry, double locking lever
70.350.1635.2	Hood BAS GOT GA 16 M25 A2	revos BASIC size 16 hood with intermediate support M25, lateral cable entry, double locking lever
70.352.1635.0	Hood BAS GOT GC 16 M25 A0	revos BASIC size 16 hood with cable gland M25, top cable entry, double locking lever
70.352.1635.1	Hood BAS GOT GC 16 M25 A1	revos BASIC size 16 hood with threaded collar M25, top cable entry, double locking lever
70.352.1635.2	Hood BAS GOT GC 16 M25 A2	revos BASIC size 16 hood with intermediate support M253, top cable entry, double locking lever
70.353.1635.0	Hood BAS GOT GA 16 M32 A0	revos BASIC size 16 hood with cable gland M32, lateral cable entry, double locking lever
70.353.1635.1	Hood BAS GOT GA 16 M32 A1	revos BASIC size 16 hood with threaded collar M32, lateral cable entry, double locking lever
70.353.1635.2	Hood BAS GOT GA 16 M32 A2	revos BASIC size 16 hood with intermediate support M32, lateral cable entry, double locking lever
70.354.1635.0	Hood BAS GOT GC 16 M32 A0	revos BASIC size 16 hood with cable gland M32, top cable entry, double locking lever
70.354.1635.1	Hood BAS GOT GC 16 M32 A1	revos BASIC size 16 hood with threaded collar M32, top cable entry, double locking lever
72.250.1635.2	Hood POW GOT GA 16 M40 69 A2	revos BASIC 500V size 16 hood with intermediate support M40, lateral cable entry, with extra large wiring space, double locking lever
73.350.4035.0	Hood BAS GOT GA 16HM25 50 A0	revos BASIC size 16H hood with cable gland M25, lateral cable entry, high design, double locking lever
73.350.4035.1	Hood BAS GOT GA 16HM25 50 A1	revos BASIC size 16H hood with threaded collar M25, lateral cable entry, high design, double locking lever
73.350.4035.2	Hood BAS GOT GA 16HM25 50 A2	revos BASIC size 16H hood with intermediate support M25, lateral cable entry, high design, double locking lever
73.351.1635.1	Hood BAS GOT GB 16H M25 A1	
73.351.1635.3	Hood BAS GOT GB 16H M25 A3	
73.352.4035.0	Hood BAS GOT GC 16HM25 50 A0	revos BASIC size 16H hood with cable gland M25, top cable entry, high design, double locking lever
73.352.4035.1	Hood BAS GOT GC 16HM25 50 A1	revos BASIC size 16H hood with threaded collar M25, top cable entry, high design, double locking lever
73.352.4035.2	Hood BAS GOT GC 16HM25 50 A2	revos BASIC size 16H hood with intermediate support M25, top cable entry, high design, double locking lever
73.353.4035.0	Hood BAS GOT GA 40HM32 50 A0	revos BASIC size 16H hood with cable gland M32, lateral cable entry, high design, double locking lever
73.353.4035.1	Hood BAS GOT GA 40HM32 50 A1	revos BASIC size 16H hood with threaded collar M32, lateral cable entry, high design, double locking lever
73.353.4035.2	Hood BAS GOT GA 40HM32 50 A2	revos BASIC size 16H hood with intermediate support M32, lateral cable entry, high design, double locking lever
73.354.4035.0	Hood BAS GOT GC 16HM32 50 A0	revos BASIC size 16H hood with cable gland M32, top cable entry, high design, double locking lever
73.354.4035.1	Hood BAS GOT GC 16HM32 50 A1	revos BASIC size 16H hood with threaded collar M32, top cable entry, high design, double locking lever

73.354.4035.2	Hood BAS GOT GC 16HM32 50 A2	revos BASIC 500V size 16H hood with intermediate support M32, top cable entry, high design, double locking lever
73.360.4035.1	Hood BAS GOT GA 16HM40 50 A1	revos BASIC 500V size 16H hood with threaded collar M40, lateral cable entry, high design, double locking lever
73.362.4035.1	Hood BAS GOT GC 16HM40 50 A1	revos BASIC 500V size 16H hood with intermediate support M40, top cable entry, high design, double locking lever



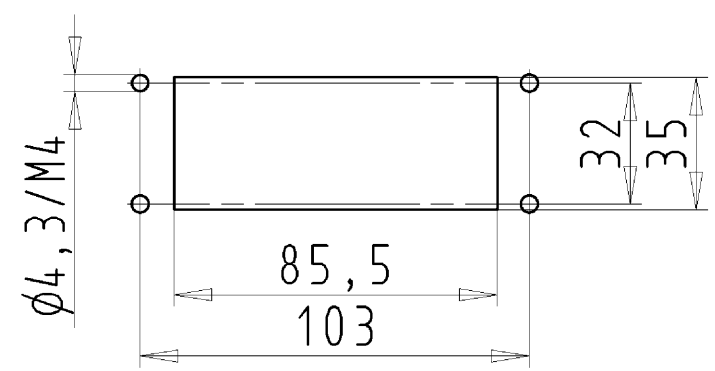
These dimensions will be especially checked at delivery
 Only inspection dimensions
 With ±E marked dimensions are only valid for internal use

Diese Maße werden bei Abnahme besonders geprüft
 Ausschließlich Prüfmaße
 Mit ±E gekennzeichnete Maße sind nur für interne Zwecke gültig

70.320.1628.0	BAS GUT GA 16 A
Bestellnummer /Order number	Typ /Type

Weitere Daten siehe KATALOG oder eKatalog.
 Additional data see CATALOG or eCatalog.

www.wieland-electric.com
eshop.wieland-electric.com



Bohrbild
 /Cut out

Tolerierung Size ISO 14405 (E) / Tolerance system Size ISO 14405 (E).
 (This ISO-standard describes the envelope principle. According to the envelope principle the deviations of form and parallelism are limited by the size tolerances).

ja/yes Stoffverbots- und Deklarationsliste nach UU-TQM-05/03 ist einzuhalten.
 Conformity with Wieland document UU-TQM-05/03 (list of prohibited / declarable hazardous substances) to be declared!

Freitoleranz nach General tolerance	-	CAD - Zeichnung, keine manuellen Änderungen CAD - drawing, no manual modifications allowed	1. Verwendung: First Use:	Blatt: 1 von 1 Sheet: of 1						
Werkstoff/Material	Aluminium beschichtet/coated	2013 gezeichnet/drawn geprüft/checked Normgepr. / Stand. check	Tag/Date 17.06.	Name Dvetsch						
Maßstab/Scale	1:2	Zeichnung Nr./Drawing No. 70.320.1628.0 13K								
Vol. mm ³	Ofl./Surf. mm ²	Ersatz für/Replacement for: -								
Index	Datum / Blatt Date / Sheet	Maße in mm/Dimensions are in mm								
Änderung/Revision		<table border="1"> <tr> <td>Type</td> <td>Benennung/Titel</td> </tr> <tr> <td>revos</td> <td>GEHAEUSEUNTERTEIL</td> </tr> <tr> <td>BASIC</td> <td>Baugröße 16 offen OPEN HOUSING size 16</td> </tr> </table>			Type	Benennung/Titel	revos	GEHAEUSEUNTERTEIL	BASIC	Baugröße 16 offen OPEN HOUSING size 16
Type	Benennung/Titel									
revos	GEHAEUSEUNTERTEIL									
BASIC	Baugröße 16 offen OPEN HOUSING size 16									

Wieland Elektrische Verbindungen

Weitergabe sowie Vervielfältigung dieses Dokuments, Verwertung und Mitteilung seines Inhalts sind verboten, soweit nicht ausdrücklich gestattet.
 The reproduction, distribution and utilization of this document as well as the communication of its contents to others without express authorization is prohibited.

703201628013K_2 CADW/5028 Treschan 2013-09-20T11:19:03 1.000