

Data sheet

Art.No.: 70.320.2428.0

Bottom BAS GUT GA 24 A

revos BASIC size 24 open-bottom base, double locking lever

1011011010001010010101101
 0100110110010110100101010
 101001101100111001010010
**DIGITALIZATION
 IN PROGRESS**
 101010011010101010101010
 1101010011011001011010010
 1010101010010101101010011

Art.No.	70.320.2428.0
EAN	4015573220119
Order Unit	1

Certificates / Approvals



Technical data

General

Housing material	Aluminium
Color	Grey
Surface	With powder coating
Degree of protection (IP)	IP54
UV resistant	Yes
Inflammability class of insulation material acc. with UL94	Other
Operating temperature range min.	-40 °C
Operating temperature range max.	120 °C

Model

Construction	24
Model	Equipment mounted (feed-through)
Locking mechanism	Double locking levers
Cable entry	None
Type of cable	None
With cable screw gland	No
Thread size PG	
Hinged lid	No
EMC-version	No
Length	140 mm
Width	57 mm
Height	28 mm

Classification

ECLASS 8.1	27440202
ETIM 7.0	EC000437
ETIM 6.0	EC000437
ETIM 5.0	EC000437

ETIM 4.0	EC000437
ETIM 3.0	EC000437

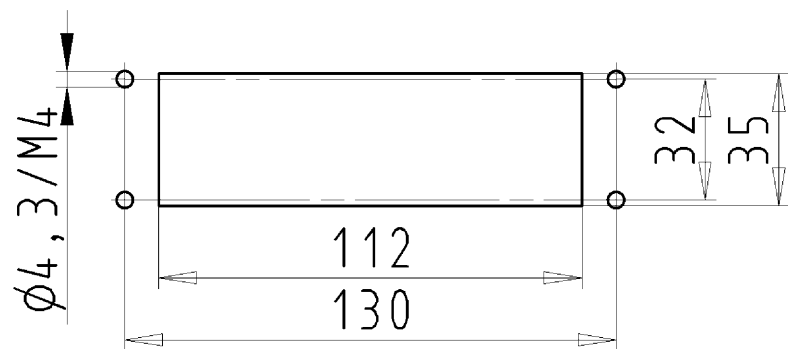
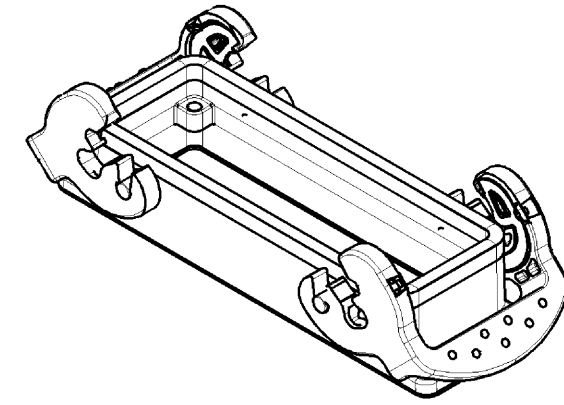
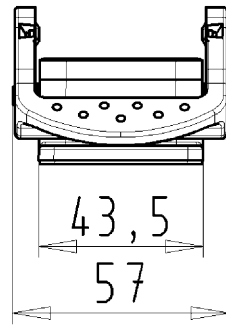
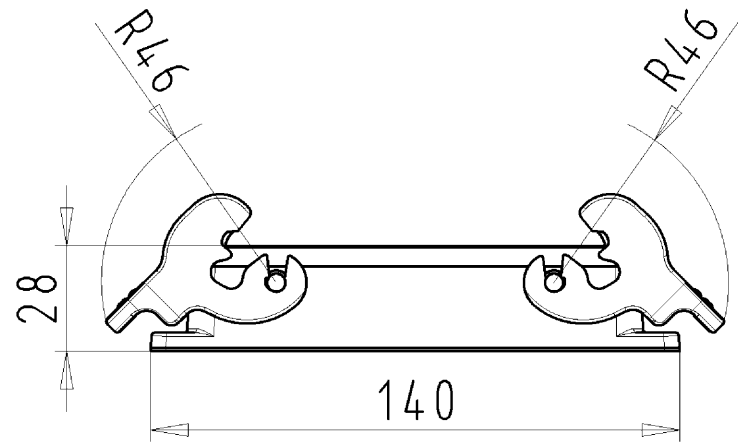
Fits with

Art.No.:	Article/type description:	Description:
70.350.2435.0	Hood BAS GOT GA 24 M25 A0	revos BASIC size 24 hood with cable gland M25, lateral cable entry, double locking lever
70.350.2435.1	Hood BAS GOT GA 24 M25 A1	revos BASIC size 24 hood with threaded collar M25, lateral cable entry, double locking lever
70.350.2435.2	Hood BAS GOT GA 24 M25 A2	revos BASIC size 24 hood with intermediate support M25, lateral cable entry, double locking lever
70.352.2435.0	Hood BAS GOT GC 24 M25 A0	revos BASIC size 24 hood with cable gland M25, top cable entry, double locking lever
70.352.2435.1	Hood BAS GOT GC 24 M25 A1	revos BASIC size 24 hood with threaded collar M25, top cable entry, double locking lever
70.352.2435.2	Hood BAS GOT GC 24 M25 A2	revos BASIC size 24 hood with intermediate support M25, top cable entry, double locking lever
70.353.2435.0	Hood BAS GOT GA 24 M32 A0	revos BASIC size 24 hood with cable gland M32, lateral cable entry, double locking lever
70.353.2435.1	Hood BAS GOT GA 24 M32 A1	revos BASIC size 24 hood with threaded collar M32, lateral cable entry, double locking lever
70.353.2435.2	Hood BAS GOT GA 24 M32 A2	revos BASIC size 24 hood with intermediate support M32, lateral cable entry, double locking lever
70.354.2435.0	Hood BAS GOT GC 24 M32 A0	revos BASIC size 24 hood with cable gland M32, top cable entry, double locking lever
70.354.2435.1	Hood BAS GOT GC 24 M32 A1	revos BASIC size 24 hood with threaded collar M32, top cable entry, double locking lever
70.354.2435.2	Hood BAS GOT GC 24 M32 A2	revos BASIC size 24 hood with intermediate support M32, top cable entry, double locking lever
73.350.6435.0	Hood BAS GOT GA 24HM25 50 A0	revos BASIC size 24H hood with cable gland M25, lateral cable entry, high design, double locking lever
73.350.6435.1	Hood BAS GOT GA 24HM25 50 A1	revos BASIC size 24H hood with threaded collar M25, lateral cable entry, high design, double locking lever
73.350.6435.2	Hood BAS GOT GA 24HM25 50 A2	revos BASIC size 24H hood with intermediate support M25, lateral cable entry, high design, double locking lever
73.351.2435.0	Hood BAS GOT GB 24H M25 A0	
73.351.2435.1	Hood BAS GOT GB 24H M25 A1	
73.351.2435.3	Hood BAS GOT GB 24H M25 A3	
73.352.6435.0	Hood BAS GOT GC 24HM25 50 A0	revos BASIC size 24H hood with cable gland M25, top cable entry, high design, double locking lever
73.352.6435.1	Hood BAS GOT GC 24HM25 50 A1	revos BASIC size 24H hood with threaded collar M25, top cable entry, high design, double locking lever
73.353.6435.0	Hood BAS GOT GA 24HM32 50 A0	revos BASIC size 24H hood with cable gland M32, lateral cable entry, high design, double locking lever
73.353.6435.1	Hood BAS GOT GA 24H M32 A1	revos BASIC size 24H hood with threaded collar M32, lateral cable entry, high design, double locking lever
73.353.6435.2	Hood BAS GOT GA 24HM32 50 A2	revos BASIC size 24H hood with intermediate support M32, lateral cable entry, high design, double locking lever
73.354.6435.0	Hood BAS GOT GC 24HM32 50 A0	revos BASIC size 24H hood with cable gland M32, top cable entry, high design, double locking lever
73.354.6435.1	Hood BAS GOT GC 24HM32 50 A1	revos BASIC size 24H hood with threaded collar M32, top cable entry, high design, double locking lever
73.360.6435.1	Hood BAS GOT GA 24HM40 50 A1	revos BASIC 500V size 24H hood with threaded collar M40, lateral cable entry, high design, double locking lever

73.362.6435.1	Hood BAS GOT GC 24HM40 50 A1	revos BASIC 500V size 24H hood with threaded collar M40, top cable entry, high design, double locking lever
---------------	------------------------------	---

These dimensions will be especially checked at delivery
 Only inspection dimensions
 With ±E marked dimensions are only valid for internal use

Diese Maße werden bei Abnahme besonders geprüft
 Ausschließlich Prüfmaße
 Mit ±E gekennzeichnete Maße sind nur für interne Zwecke gültig



Bohrbild
/Cut out

70.320.2428.0	BAS GOT GA 24 A
Bestellnummer /Order number	Typ /Type

Weitere Daten siehe KATALOG oder eKatalog. www.wieland-electric.com
 Additional data see CATALOG or eCatalog. www.eshop.wieland-electric.com

Tolerierung Size ISO 14405 (E) / Tolerance system Size ISO 14405 (E). (This ISO-standard describes the envelope principle. According to the envelope principle the deviations of form and parallelism are limited by the size tolerances).				ja/yes <input checked="" type="checkbox"/> Stoffverbots- und Deklarationsliste nach UU-TQM-05/03 ist einzuhalten. Conformity with Wieland document UU-TQM-05/03 (list of prohibited / declarable hazardous substances) to be declared!			
Freitoleranz nach General tolerance		CAD - Zeichnung, keine manuellen Änderungen CAD - drawing, no manual modifications allowed		1. Verwendung: First Use:		Blatt: 1 von 1 Sheet: of 1	
/		Werkstoff/Material Aluminium beschichtet/coated grau/grey		2013 Tag/Date gezeichnet/drawn 17.06. geprüft/checked - Normgepr. Stand. check -		Name Dvetsch T.	
/		Maßstab/Scale 1:2		Zeichnung Nr./Drawing No. 70.320.2428.0 13K		Index	
/		Vol. mm ³ / Ofl./Surf. mm ²		Ersatz für/Replacement for: -		Maße in mm/Dimensions are in mm	
/		wieland Elektrische Verbindungen		Type revos BASIC		Benennung/Titel GEHAEUSEUNTERTEIL Baugröße 24 offen OPEN HOUSING size 24	
Index Änderung/Revision		Datum / Blatt Date / Sheet					

Weitergabe sowie Vervielfältigung dieses Dokuments, Verwertung und Mitteilung seines Inhalts sind verboten, soweit nicht ausdrücklich gestattet.
 The reproduction, distribution and utilization of this document as well as the communication of its contents to others without express authorization is prohibited.

703202428013K_2 CADW3028_Treschan 2013-09-20T11:19:24 1.000