

## Data sheet

Art.No.: 70.330.1635.0

Bottom BAS GUT GB 16 M25 A0

revos BASIC size 16 closed-bottom base with 2 cable glands M25, double locking lever



Art.No.	70.330.1635.0
EAN	4015573620186
Order Unit	1

Certificates / Approvals



## Technical data

### General

Housing material	Aluminium
Color	Grey
Surface	With powder coating
Degree of protection (IP)	IP54
UV resistant	Yes
Inflammability class of insulation material acc. with UL94	Other
Operating temperature range min.	-40 °C
Operating temperature range max.	120 °C

### Model

Construction	16
Model	Surface mounting (base)
Locking mechanism	Double locking levers
Cable entry	Two-sided
Type of cable	Gland nut
With cable screw gland	Yes
Thread size M	25
Thread size PG	
Hinged lid	No
EMC-version	No
Length	117 mm
Width	57 mm
Height	57 mm

### Classification

ECLASS 8.1	27440202
ETIM 7.0	EC000437
ETIM 6.0	EC000437

ETIM 5.0	EC000437
ETIM 4.0	EC000437
ETIM 3.0	EC000437

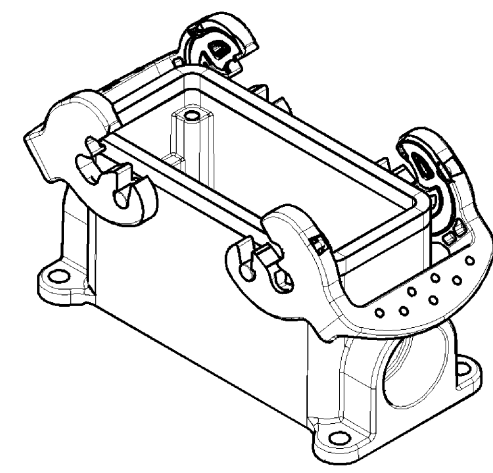
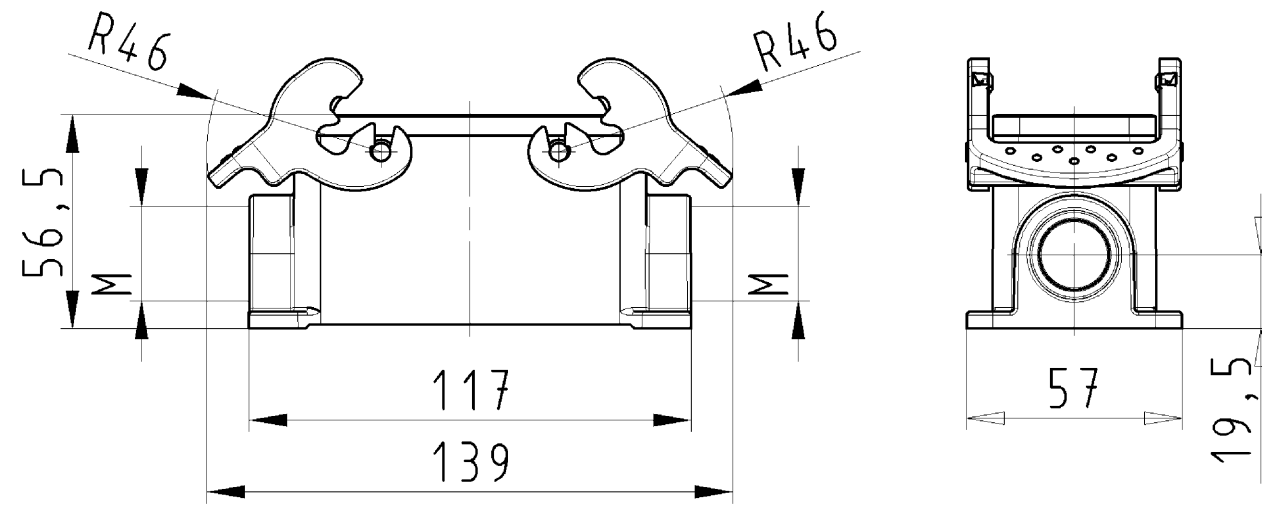
## Fits with

Art.No.:	Article/type description:	Description:
70.350.1635.0	Hood BAS GOT GA 16 M25 A0	revos BASIC size 16 hood with cable gland M25, lateral cable entry, double locking lever
70.350.1635.1	Hood BAS GOT GA 16 M25 A1	revos BASIC size 16 hood with threaded collar M25, lateral cable entry, double locking lever
70.350.1635.2	Hood BAS GOT GA 16 M25 A2	revos BASIC size 16 hood with intermediate support M25, lateral cable entry, double locking lever
70.352.1635.0	Hood BAS GOT GC 16 M25 A0	revos BASIC size 16 hood with cable gland M25, top cable entry, double locking lever
70.352.1635.1	Hood BAS GOT GC 16 M25 A1	revos BASIC size 16 hood with threaded collar M25, top cable entry, double locking lever
70.352.1635.2	Hood BAS GOT GC 16 M25 A2	revos BASIC size 16 hood with intermediate support M25, top cable entry, double locking lever
70.353.1635.0	Hood BAS GOT GA 16 M32 A0	revos BASIC size 16 hood with cable gland M32, lateral cable entry, double locking lever
70.353.1635.1	Hood BAS GOT GA 16 M32 A1	revos BASIC size 16 hood with threaded collar M32, lateral cable entry, double locking lever
70.353.1635.2	Hood BAS GOT GA 16 M32 A2	revos BASIC size 16 hood with intermediate support M32, lateral cable entry, double locking lever
70.354.1635.0	Hood BAS GOT GC 16 M32 A0	revos BASIC size 16 hood with cable gland M32, top cable entry, double locking lever
70.354.1635.1	Hood BAS GOT GC 16 M32 A1	revos BASIC size 16 hood with threaded collar M32, top cable entry, double locking lever
72.250.1635.2	Hood POW GOT GA 16 M40 69 A2	revos BASIC 500V size 16 hood with intermediate support M40, lateral cable entry, with extra large wiring space, double locking lever
73.350.4035.0	Hood BAS GOT GA 16HM25 50 A0	revos BASIC size 16H hood with cable gland M25, lateral cable entry, high design, double locking lever
73.350.4035.1	Hood BAS GOT GA 16HM25 50 A1	revos BASIC size 16H hood with threaded collar M25, lateral cable entry, high design, double locking lever
73.350.4035.2	Hood BAS GOT GA 16HM25 50 A2	revos BASIC size 16H hood with intermediate support M25, lateral cable entry, high design, double locking lever
73.351.1635.1	Hood BAS GOT GB 16H M25 A1	
73.351.1635.3	Hood BAS GOT GB 16H M25 A3	
73.352.4035.0	Hood BAS GOT GC 16HM25 50 A0	revos BASIC size 16H hood with cable gland M25, top cable entry, high design, double locking lever
73.352.4035.1	Hood BAS GOT GC 16HM25 50 A1	revos BASIC size 16H hood with threaded collar M25, top cable entry, high design, double locking lever
73.352.4035.2	Hood BAS GOT GC 16HM25 50 A2	revos BASIC size 16H hood with intermediate support M25, top cable entry, high design, double locking lever
73.353.4035.0	Hood BAS GOT GA 40HM32 50 A0	revos BASIC size 16H hood with cable gland M32, lateral cable entry, high design, double locking lever
73.353.4035.1	Hood BAS GOT GA 40HM32 50 A1	revos BASIC size 16H hood with threaded collar M32, lateral cable entry, high design, double locking lever
73.353.4035.2	Hood BAS GOT GA 40HM32 50 A2	revos BASIC size 16H hood with intermediate support M32, lateral cable entry, high design, double locking lever
73.354.4035.0	Hood BAS GOT GC 16HM32 50 A0	revos BASIC size 16H hood with cable gland M32, top cable entry, high design, double locking lever
73.354.4035.1	Hood BAS GOT GC 16HM32 50 A1	revos BASIC size 16H hood with threaded collar M32, top cable entry, high design, double locking lever

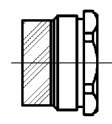
73.354.4035.2	Hood BAS GOT GC 16HM32 50 A2	revos BASIC 500V size 16H hood with intermediate support M32, top cable entry, high design, double locking lever
73.360.4035.1	Hood BAS GOT GA 16HM40 50 A1	revos BASIC 500V size 16H hood with threaded collar M40, lateral cable entry, high design, double locking lever
73.362.4035.1	Hood BAS GOT GC 16HM40 50 A1	revos BASIC 500V size 16H hood with intermediate support M40, top cable entry, high design, double locking lever

These dimensions will be especially checked at delivery  
 Only inspection dimensions  
 With ±-marked dimensions are only valid for internal use

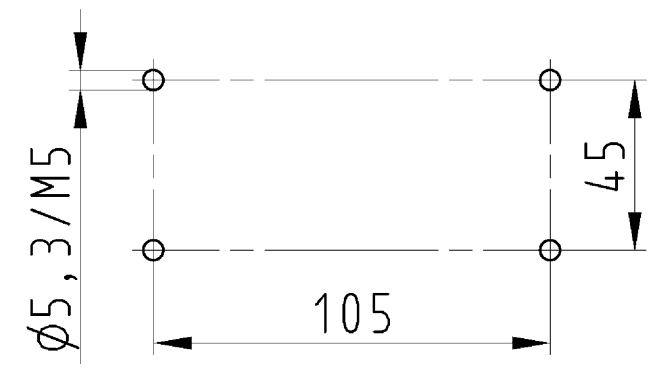
Diese Maße werden bei Abnahme besonders geprüft  
 Ausschließlich Prüfmaße  
 Mit ±-gekennzeichnete Maße sind nur für interne Zwecke gültig



Varianten/Variants  
 .0



70.330.1635.1	BAS GUT GB 16 M25 A 1	Gewindebohrung /Thread hole	X
70.330.1635.0	BAS GUT GB 16 M25 A 0	Kabelverschraubung(KV), IP54 montiert /Cable gland(CG), IP54 assembled	
Bestellnummer /Order number	Typ /Type	Varianten /Variants	dar-gestellt /drawed
Weitere Daten siehe KATALOG oder eKatalog. Additional data see CATALOG or eCatalog.		www.wieland-electric.com eshop.wieland-electric.com	



Bohrbild  
 /Cut out

Tolerierung Size ISO 14405/Tolerance system Size ISO 14405. (This ISO-standard describes the envelope principle. According to the envelope principle the deviations of form and parallelism are limited by the size tolerances).		ja/yes <input checked="" type="checkbox"/> Stoffverbots- und Deklarationsliste nach UU-TOM-05/03 ist einzuhalten. Conformity with Wieland document UU-TOM-05/03 (list of prohibited / declarable hazardous substances) to be declared!	
Freitoleranz nach General tolerance		CAD - Zeichnung, keine manuellen Änderungen CAD - drawing, no manual modifications allowed	1.Verwendung: - First Use:
Blatt: 1 von 1 Sheet: of 1		Zeichnung Nr./Drawing No. Index	
T 70.330.1635.0 13K		Maße in mm/Dimensions are in mm	
Werkstoff/Material Aluminium beschichtet/coated grau/grey		2013 Tag/Date 03.05. Name Treschan	
Maßstab/Scale 1:2		gezeichnet/drawn	
Vol. mm³		geprüft/checked	
Ofl./Surf. mm²		Normgepr. Stand. check	
Ersatz für/Replacement for: -		Type Benennung/Titel	
wieland Elektrische Verbindungen		revos BASIC GEHAEUSEUNTERTEIL	
Index Datum / Blatt Date / Sheet		Baugröße 16-Kabelabgang 2x M25 Housing size 16-cable outlet 2x M25	
Änderung/Revision			

Weitergabe sowie Vervielfältigung dieses Dokuments, Verwertung und Mitteilung seines Inhalts sind verboten, soweit nicht ausdrücklich gestattet.  
 The reproduction, distribution and utilization of this document as well as the communication of its contents to others without express authorization is prohibited.

703301635013K\_2 CADW3028 Treschan 2013-09-20T11:21:26 1.000