

Data sheet

Art.No.: 70.331.0635.0

Bottom BAS GUT GM 6 M20 A0

revos BASIC size 6 closed-bottom base with cable gland M20, left single locking lever



Art.No.	70.331.0635.0
EAN	4015573616387
Order Unit	1

Certificates / Approvals



Technical data

General

Housing material	Aluminium
Color	Grey
Surface	With powder coating
Degree of protection (IP)	IP54
UV resistant	Yes
Inflammability class of insulation material acc. with UL94	Other
Operating temperature range min.	-40 °C
Operating temperature range max.	120 °C

Model

Construction	6
Model	Surface mounting (base)
Locking mechanism	Single locking lever
Cable entry	Sideways
Type of cable	Gland nut
With cable screw gland	Yes
Thread size M	20
Thread size PG	
Hinged lid	No
EMC-version	No
Length	84 mm
Width	52 mm
Height	54.7 mm

Classification

ECLASS 8.1	27440202
ETIM 7.0	EC000437
ETIM 6.0	EC000437

ETIM 5.0	EC000437
ETIM 4.0	EC000437
ETIM 3.0	EC000437

Fits with

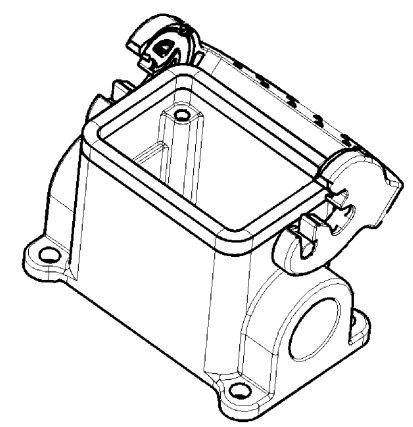
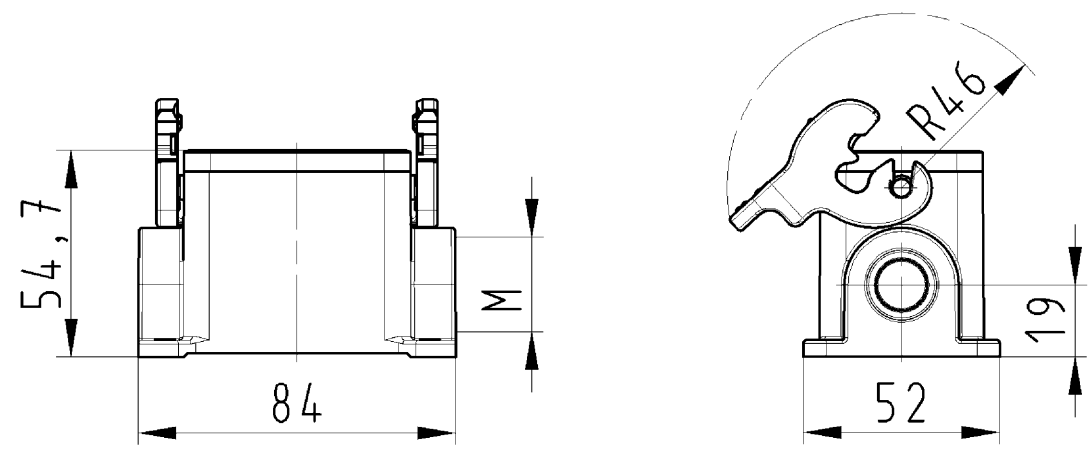
Art.No.:	Article/type description:	Description:
70.350.0635.0	Hood BAS GOT GG 6 M20 A0	revos BASIC size 6 hood with cable gland M20, lateral cable entry, single locking lever
70.350.0635.1	Hood BAS GOT GG 6 M20 A1	revos BASIC size 6 hood with threaded collar M20, lateral cable entry, single locking lever
70.350.0635.2	Hood BAS GOT GG 6 M20 A2	revos BASIC size 6 hood with intermediate support M20, lateral cable entry, single locking lever
70.352.0635.0	Hood BAS GOT GI 6 M20 A0	revos BASIC size 6 hood with cable gland M20, top cable entry, single locking lever
70.352.0635.1	Hood BAS GOT GI 6 M20 A1	revos BASIC size 6 hood with threaded collar M20, top cable entry, single locking lever
70.352.0635.2	Hood BAS GOT GI 6 M20 A2	revos BASIC size 6 hood with intermediate support M20, top cable entry, single locking lever
70.353.0635.0	Hood BAS GOT GG 6 M25 A0	revos BASIC size 6 hood with cable gland M25, lateral cable entry, single locking lever
70.353.0635.1	Hood BAS GOT GG 6 M25 A1	revos BASIC size 6 hood with threaded collar M25, lateral cable entry, single locking lever
70.353.0635.2	Hood BAS GOT GG 6 M25 A2	revos BASIC size 6 hood with intermediate support M25, lateral cable entry, single locking lever
70.354.0635.0	Hood BAS GOT GI 6 M25 A0	revos BASIC size 6 hood with cable gland M25, top cable entry, single locking lever
70.354.0635.1	Hood BAS GOT GI 6 M25 A1	revos BASIC size 6 hood with threaded collar M25, top cable entry, single locking lever
70.354.0635.2	Hood BAS GOT GI 6 M25 A2	revos BASIC size 6 hood with intermediate support M25, top cable entry, single locking lever
73.350.0635.0	Hood BAS GOT GG 6HM25 69 A0	revos BASIC size 6H hood with cable gland M25, lateral cable entry, high design, single locking lever
73.350.0635.1	Hood BAS GOT GG 6HM25 69 A1	revos BASIC size 6H hood with threaded collar M25, lateral cable entry, high design, single locking lever
73.351.0635.0	Hood BAS GOT GH 6HM20 A0	
73.351.0635.1	Hood BAS GOT GH 6HM20 A1	
73.351.0635.3	Hood BAS GOT GH 6HM20 A3	
73.352.0635.0	Hood BAS GOT GI 6HM25 69 A0	revos BASIC 500V size 6H hood with cable gland M25, top cable entry, high design, single locking lever
73.352.0635.1	Hood BAS GOT GI 6HM25 69 A1	revos BASIC 500V size 6H hood with threaded collar M25, top cable entry, high design, single locking lever
73.352.0635.2	Hood BAS GOT GI 6HM25 69 A2	revos BASIC size 6H hood with intermediate support M25, top cable entry, high design, single locking lever
73.353.0635.0	Hood BAS GOT GG 6HM32 69 A0	revos BASIC size 6H hood with cable gland M32, lateral cable entry, high design, single locking lever
73.353.0635.1	Hood BAS GOT GG 6HM32 69 A1	revos BASIC size 6H hood with threaded collar M32, lateral cable entry, high design, single locking lever
73.353.0635.2	Hood BAS GOT GG 6HM32 69 A2	revos BASIC 500V size 6H hood with intermediate support M32, top cable entry, high design, single locking lever
73.354.0635.0	Hood BAS GOT GI 6HM32 69 A0	revos BASIC 500V size 6H hood with cable gland M32, top cable entry, high design, single locking lever
73.354.0635.1	Hood BAS GOT GI 6HM32 69 A1	revos BASIC 500V size 6H hood with threaded collar M32, top cable entry, high design, single locking lever

73.354.0635.2	Hood BAS GOT GI 6HM32 69 A2	revos BASIC size 6H hood with intermediate support M32, top cable entry, high design, single locking lever
---------------	-----------------------------	--

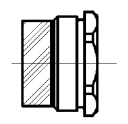
These dimensions will be especially checked at delivery
 Only inspection dimensions
 With ±E marked dimensions are only valid for internal use

Diese Maße werden bei Abnahme besonders geprüft
 Ausschließlich Prüfmaße
 Mit ±E gekennzeichnete Maße sind nur für interne Zwecke gültig

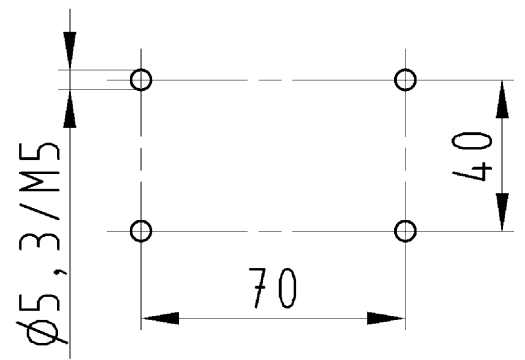
These dimensions will be especially checked at delivery
 Only inspection dimensions
 With ±E marked dimensions are only valid for internal use



Varianten/Variants
 .0



70.331.0635.1	BAS GUT GM 6 M25 A 1	Gewindebohrung /Thread hole	X
70.331.0635.0	BAS GUT GM 6 M25 A 0	Kabelverschraubung(KV), IP54 montiert /Cable gland(CG), IP54 assembled	
Bestellnummer /Order number	Typ /Type	Varianten /Variants	der-gestellt /drawn
Weitere Daten siehe KATALOG oder eKatalog. Additional data see CATALOG or eCatalog.		www.wieland-electric.com eshop.wieland-electric.com	



Bohrbild
 /Cut out

Tolerierung Size ISO 14405(±)/Tolerance system Size ISO 14405(±). (This ISO-standard describes the envelope principle. According to the envelope principle the deviations of form and parallelism are limited by the size tolerances).		ja/yes <input checked="" type="checkbox"/> Stoffverbots- und Deklarationsliste nach UU-TQM-05/03 ist einzuhalten. Conformity with Wieland document UU-TQM-05/03 (list of prohibited / declarable hazardous substances) to be declared!	
Freitoleranz nach General tolerance		CAD - Zeichnung, keine manuellen Änderungen CAD - drawing, no manual modifications allowed	1.Verwendung: - First Use:
Blatt: 1 von 1 Sheet: of 1		Zeichnung Nr./Drawing No. Index	
70.331.0635.0 13K		Maße in mm/Dimensions are in mm	
Werkstoff/Material Aluminium beschichtet/coated grau/grey		2013 Tag/Date 03.05. Name Treschan	Type revos BASIC
Maßstab/Scale 1:2		Benennung/Titel GEHAEUSEUNTERTEIL	
Vol. mm³		Ersatz für/Replacement for: -	
Änderung/Revision		Baugröße 6-Kabelabgang 1x M20/M25 links Housing size 6-cable outlet 1x M20/M25 left	

Weitergabe sowie Vervielfältigung dieses Dokuments, Verwertung und Mitteilung seines Inhalts sind verboten, soweit nicht ausdrücklich gestattet.
 The reproduction, distribution and utilization of this document as well as the communication of its contents to others without express authorization is prohibited.

703310635013K_2 CADW3028 Treschan 2013-09-20T11:25:28 1.000