

## Data sheet

Art.No.: 70.331.1035.0

Bottom BAS GUT GC 10 M20 A0

revos BASIC size 10 closed-bottom base with cable gland M20, left, double locking lever



|            |               |
|------------|---------------|
| Art.No.    | 70.331.1035.0 |
| EAN        | 4015573616752 |
| Order Unit | 1             |

Certificates / Approvals



## Technical data

### General

|  |                     |
|--|---------------------|
| Housing material   | Aluminium           |
| Color  | Grey                |
| Surface  | With powder coating |
| Degree of protection (IP)                                  | IP54                |
| UV resistant   | Yes                 |
| Inflammability class of insulation material acc. with UL94 | Other               |
| Operating temperature range min.                           | -40 °C              |
| Operating temperature range max.                           | 120 °C              |

### Model

|                        |                         |
|------------------------|-------------------------|
| Construction           | 10                      |
| Model                  | Surface mounting (base) |
| Locking mechanism      | Double locking levers   |
| Cable entry            | Sideways                |
| Type of cable          | Gland nut               |
| With cable screw gland | Yes                     |
| Thread size M          | 20                      |
| Thread size PG         |                         |
| Hinged lid             | No                      |
| EMC-version            | No                      |
| Length                 | 94 mm                   |
| Width                  | 52 mm                   |
| Height                 | 55 mm                   |

### Classification

|            |          |
|------------|----------|
| ECLASS 8.1 | 27440202 |
| ETIM 7.0   | EC000437 |
| ETIM 6.0   | EC000437 |

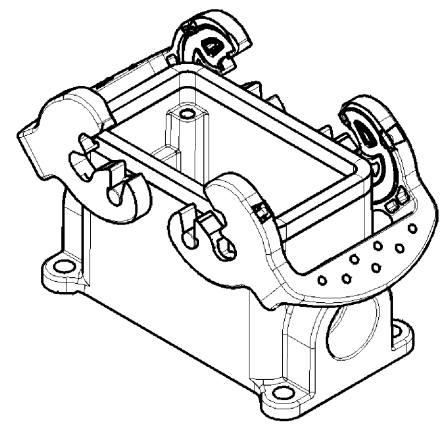
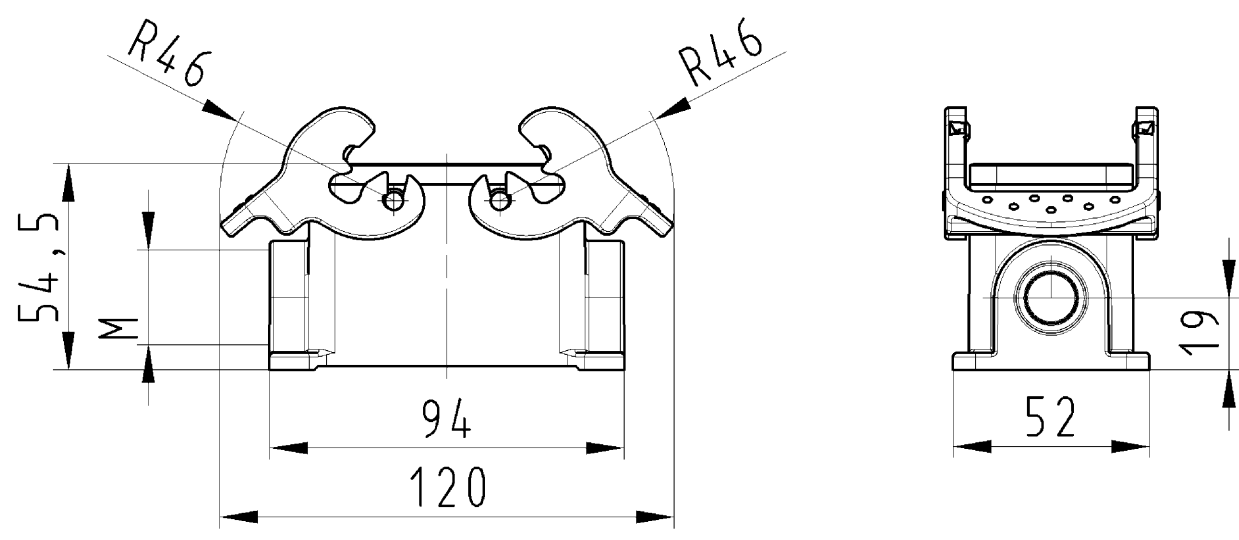
|          |          |
|----------|----------|
| ETIM 5.0 | EC000437 |
| ETIM 4.0 | EC000437 |

## Fits with

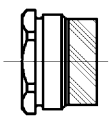
| Art.No.:      | Article/type description:    | Description:   |
|---------------|------------------------------|--|
| 70.350.1035.0 | Hood BAS GOT GA 10 M20 A0    | revos BASIC size 10 hood with cable gland M20, lateral cable entry, double locking lever                   |
| 70.350.1035.1 | Hood BAS GOT GA 10 M20 A1    | revos BASIC size 10 hood with threaded collar M20, lateral cable entry, double locking lever               |
| 70.350.1035.2 | Hood BAS GOT GA 10 M20 A2    | revos BASIC size 10 hood with intermediate support M20, lateral cable entry, double locking lever          |
| 70.352.1035.0 | Hood BAS GOT GC 10 M20 A0    | revos BASIC size 10 hood with cable gland M20, top cable entry, double locking lever                       |
| 70.352.1035.1 | Hood BAS GOT GC 10 M20 A1    | revos BASIC size 10 hood with threaded collar M20, top cable entry, double locking lever                   |
| 70.352.1035.2 | Hood BAS GOT GC 10 M20 A2    | revos BASIC size 10 hood with intermediate support M20, top cable entry, double locking lever              |
| 70.353.1035.0 | Hood BAS GOT GA 10 M25 A0    | revos BASIC size 10 hood with cable gland M25, lateral cable entry, double locking lever                   |
| 70.353.1035.1 | Hood BAS GOT GA 10 M25 A1    | revos BASIC size 10 hood with threaded collar M25, lateral cable entry, double locking lever               |
| 70.353.1035.2 | Hood BAS GOT GA 10 M25 A2    | revos BASIC size 10 hood with intermediate support M25, lateral cable entry, double locking lever          |
| 70.354.1035.0 | Hood BAS GOT GC 10 M25 A0    | revos BASIC size 10 hood with cable gland M25, top cable entry, double locking lever                       |
| 70.354.1035.1 | Hood BAS GOT GC 10 M25 A1    | revos BASIC size 10 hood with threaded collar M25, top cable entry, double locking lever                   |
| 70.354.1035.2 | Hood BAS GOT GC 10 M25 A2    | revos BASIC size 10 hood with intermediate support M25, top cable entry, double locking lever              |
| 73.350.1035.0 | Hood BAS GOT GA 10HM25 50 A0 | revos BASIC size 10H hood with cable gland M25, lateral cable entry, high design, double locking lever     |
| 73.350.1035.1 | Hood BAS GOT GA 10HM25 50 A1 | revos BASIC size 10H hood with threaded collar M25, lateral cable entry, high design, double locking lever |
| 73.351.1035.0 | Hood BAS GOT GB 10H M20 A0   |  |
| 73.351.1035.1 | Hood BAS GOT GB 10H M20 A1   |  |
| 73.352.1035.0 | Hood BAS GOT GC 10HM25 50 A0 | revos BASIC size 10H hood with cable gland M25, top cable entry, high design, double locking lever         |
| 73.352.1035.1 | Hood BAS GOT GC 10HM25 50 A1 | revos BASIC size 10H hood with threaded collar M25, top cable entry, high design, double locking lever     |
| 73.353.1035.0 | Hood BAS GOT GA 10HM32 50 A0 | revos BASIC size 10H hood with cable gland M32, lateral cable entry, high design, double locking lever     |
| 73.353.1035.1 | Hood BAS GOT GA 10HM32 50 A1 | revos BASIC size 10H hood with threaded collar M32, lateral cable entry, high design, double locking lever |
| 73.354.1035.0 | Hood BAS GOT GC 10HM32 50 A0 | revos BASIC size 10H hood with cable gland M32, top cable entry, high design, double locking lever         |
| 73.354.1035.1 | Hood BAS GOT GC 10HM32 50 A1 | revos BASIC size 10H hood with threaded collar M32, top cable entry, high design, double locking lever     |

These dimensions will be especially checked at delivery  
 Only inspection dimensions  
 With +/- marked dimensions are only valid for internal use

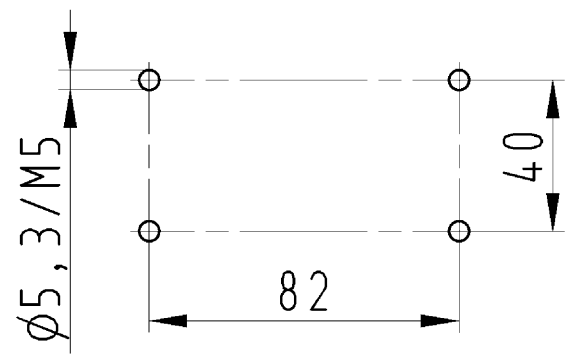
Diese Maße werden bei Abnahme besonders geprüft  
 Ausschließliche Prüfmaße  
 Mit +/- gekennzeichnete Maße sind nur für interne Zwecke gültig



Varianten/Variants  
 .0



|  |                       |   |                      |
|--|-----------------------|---|----------------------|
| 70.331.1035.1  | BAS GUT GC 10 M25 A 1 | Gewindebohrung / Thread hole  | X                    |
| 70.331.1035.0  | BAS GUT GC 10 M25 A 0 | Kabelverschraubung(KV), IP54 montiert / Cable gland(CG), IP54 assembled |                      |
| Bestellnummer / Order number   | Typ / Type            | Varianten / Variants  | dar-gestellt / drawn |
| Weitere Daten siehe KATALOG oder eKatalog.<br>Additional data see CATALOG or eCatalog. |                       | www.wieland-electric.com<br>eshop.wieland-electric.com                  |                      |



Bohrbild / Cut out

|   |  |   |                                |
|---|--|---|--------------------------------|
| Tolerierung Size ISO 14405 (T) / Tolerance system Size ISO 14405 (T).<br>(This ISO-standard describes the envelope principle. According to the envelope principle the deviations of form and parallelism are limited by the size tolerances). |  | ja/yes <input checked="" type="checkbox"/> Stoffverbots- und Deklarationsliste nach UU-TQM-05/03 ist einzuhalten.<br>Conformity with Wieland document UU-TQM-05/03 (list of prohibited / declarable hazardous substances) to be declared! |                                |
| Freitoleranz nach General tolerance   |  | CAD - Zeichnung, keine manuellen Änderungen<br>CAD - drawing, no manual modifications allowed   | 1. Verwendung: -<br>First Use: |
| Blatt: 1 von 1<br>Sheet: of 1   |  | Zeichnung Nr./Drawing No. Index   |                                |
| T 70.331.1035.0 13K   |  | Maße in mm/Dimensions are in mm   |                                |
| Werkstoff/Material Aluminium beschichtet/coated grau/grey   |  | 2013 Tag/Date Name<br>gezeichnet/drawn 03.05. Treschan  |                                |
| Maßstab/Scale 1:2   |  | geprüft/checked - -   |                                |
| Vol. mm³  |  | Normgepr. Stand. check - -  |                                |
| Ersatz für/Replacement for: -   |  | Type Benennung/Titel  |                                |
| wieland Elektrische Verbindungen  |  | revos BASIC GEHÄUSEUNTERTEIL  |                                |
| Index Datum / Blatt Date / Sheet  |  | Baugröße 10-Kabelabgang 1x M20/M25 links<br>Housing size 10-cable outlet 1x M20/M25 left  |                                |
| Änderung/Revision   |  |   |                                |

Weitergabe sowie Vervielfältigung dieses Dokuments, Verwertung und Mitteilung seines Inhalts sind verboten, soweit nicht ausdrücklich gestattet.  
 The reproduction, distribution and utilization of this document as well as the communication of its contents to others without express authorization is prohibited.