

Data sheet

Art.No.: 70.350.0635.0

Hood BAS GOT GG 6 M20 A0

revos BASIC size 6 hood with cable gland M20, lateral cable entry, single locking lever



Art.No.	70.350.0635.0
EAN	4015573616813
Order Unit	1

Certificates / Approvals



Technical data

General

Housing material	Aluminium
Color	Grey
Surface	With powder coating
Degree of protection (IP)	IP54
UV resistant	Yes
Inflammability class of insulation material acc. with UL94	Other
Operating temperature range min.	-40 °C
Operating temperature range max.	120 °C

Model

Construction	6
Model	male
Locking mechanism	Single locking lever
Cable entry	Sideways
Type of cable	Gland nut
With cable screw gland	Yes
Thread size M	20
Thread size PG	
Hinged lid	No
EMC-version	No
Length	73.6 mm
Width	43 mm
Height	51 mm

Classification

ECLASS 8.1	27440202
ETIM 7.0	EC000437
ETIM 6.0	EC000437

ETIM 5.0	EC000437
ETIM 4.0	EC000437
ETIM 3.0	EC000437

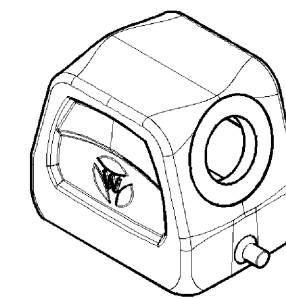
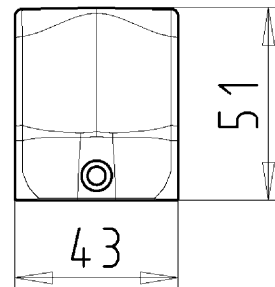
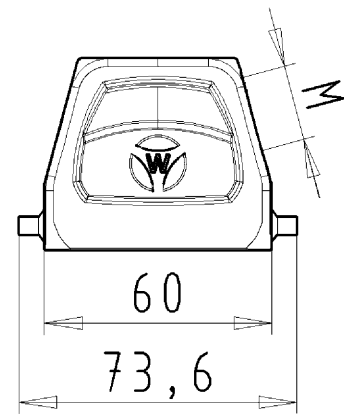
Fits with

Art.No.:	Article/type description:	Description:
70.372.0635.0	Hood BAS GOT GL 6 M20 50 A0	revos BASIC size 6 hood for cable-to-cable couplings with cable gland M20, top cable entry, single locking lever
70.372.0635.1	Hood BAS GOT GL 6 M20 50 A1	revos BASIC size 6 hood for cable-to-cable couplings with threaded collar M20, top cable entry, single locking lever
70.320.0628.0	Bottom BAS GUT GK 6 A	revos BASIC size 6 open-bottom base single locking lever
70.325.0628.0	Bottom BAS GUT GP 6 A	revos BASIC size 6 open-bottom base, with cover, single locking lever
70.330.0635.0	Bottom BAS GUT GL 6 M20 A0	revos BASIC size 6 closed-bottom base with 2 cable glands M20 single locking lever
70.330.0635.1	Bottom BAS GUT GL 6 M20 A1	revos BASIC size 6 closed-bottom base with 2 threaded collars M20 single locking lever
70.331.0635.0	Bottom BAS GUT GM 6 M20 A0	revos BASIC size 6 closed-bottom base with cable gland M20, left single locking lever
70.331.0635.1	Bottom BAS GUT GM 6 M20 A1	revos BASIC size 6 closed-bottom base with threaded collar M20, left single locking lever
70.332.0635.0	Bottom BAS GUT GN 6 M20 A0	revos BASIC size 6 closed-bottom base with cable gland M20, right single locking lever
70.332.0635.1	Bottom BAS GUT GN 6 M20 A1	revos BASIC size 6 closed-bottom base with threaded collar M20, right single locking lever
70.333.0635.0	Bottom BAS GUT GO 6 M20 A0	revos BASIC size 6 closed-bottom base with cable gland M20, bottom single locking lever
70.333.0635.1	Bottom BAS GUT GO 6 M20 A1	revos BASIC size 6 closed-bottom base with threaded collar M20, bottom single locking lever
70.335.0635.0	Bottom BAS GUT GM 6 M25 50 A0	revos BASIC size 6 closed-bottom base with cable gland M25, left single locking lever
70.335.0635.1	Bottom BAS GUT GM 6 M25 A1	revos BASIC size 6 closed-bottom base with threaded collar M25, left single locking lever
70.340.0635.0	Bottom BAS GUT GR 6 M20 A0	revos BASIC size 6 closed-bottom base with 2 cable glands M20, with cover, single locking lever
70.340.0635.1	Bottom BAS GUT GR 6 M20 A1	revos BASIC size 6 closed-bottom base with 2 threaded collars M20, with cover, single locking lever
70.341.0635.0	Bottom BAS GUT GS 6 M20 A0	revos BASIC size 6 closed-bottom base with cable gland M20, left, with cover, single locking lever
70.341.0635.1	Bottom BAS GUT GS 6 M20 A1	revos BASIC size 6 closed-bottom base with threaded collar M20, left, with cover, single locking lever
70.342.0635.0	Bottom BAS GUT GT 6 M20 A0	revos BASIC size 6 closed-bottom base with cable gland M20, right, with cover, single locking lever
70.342.0635.1	Bottom BAS GUT GT 6 M20 A1	revos BASIC size 6 closed-bottom base with threaded collar M20, right, with cover, single locking lever
70.343.0635.0	Bottom BAS GUT GU 6 M20 A0	revos BASIC size 6 closed-bottom base with cable gland M20, bottom, with cover, single locking lever
70.343.0635.1	Bottom BAS GUT GU 6 M20 A1	revos BASIC size 6 closed-bottom base with threaded collar M20, bottom, with cover, single locking lever
73.330.0635.0	Bottom BAS GUT GL 6HM25 69 A0	revos BASIC size 6H closed-bottom base with 2 cable glands M25, high design, single locking lever
73.330.0635.1	Bottom BAS GUT GL 6HM25 69 A1	revos BASIC size 6H closed-bottom base with 2 threaded collars M25, high design, single locking lever
73.331.0635.0	Bottom BAS GUT GM 6HM25 69 A0	revos BASIC 500V size 6H closed-bottom base with cable gland M25, left, high design, single locking lever

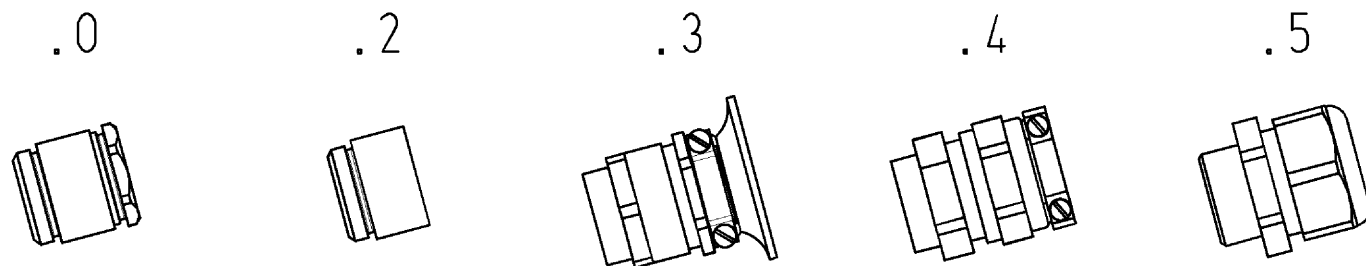
73.331.0635.1	Bottom BAS GUT GM 6HM25 69 A1	revos BASIC 500V size 6H closed-bottom base with threaded collar M25, left, high design, single locking lever
73.334.0635.0	Bottom BAS GUT GL 6HM32 69 A0	revos BASIC 500V size 6H closed-bottom base with 2 cable glands M32, high design, single locking lever
73.334.0635.1	Bottom BAS GUT GL 6HM32 69 A1	revos BASIC size 6H closed-bottom base with 2 threaded collars M32, high design, single locking lever
73.335.0635.0	Bottom BAS GUT GM 6HM32 69 A0	revos BASIC 500V size 6H closed-bottom base with cable gland M32, left, high design, single locking lever
73.335.0635.1	Bottom BAS GUT GM 6HM32 69 A1	revos BASIC 500V size 6H closed-bottom base with threaded collar M32, left, high design, single locking lever
73.340.0635.0	Bottom BAS GUT GR 6HM25 69 A0	revos BASIC 500V size 6H closed-bottom base with 2 cable glands M25, with cover, high design, single locking lever
73.340.0635.1	Bottom BAS GUT GR 6HM25 69 A1	revos BASIC size 6H closed-bottom base with 2 threaded collars M25, with cover, high design, single locking lever
73.341.0635.0	Bottom BAS GUT GS 6HM25 69 A0	revos BASIC 500V size 6H closed-bottom base with cable gland M25, left, with cover, high design, single locking lever
73.341.0635.1	Bottom BAS GUT GS 6HM25 69 A1	revos BASIC size 6H closed-bottom base with threaded collar M25, left, with cover, high design, single locking lever
73.342.0635.0	Bottom BAS GUT GT 6HM25 69 A0	revos BASIC 500V size 6H closed-bottom base with cable gland M25, right, with cover, high design, single locking lever
73.342.0635.1	Bottom BAS GUT GT 6HM25 69 A1	revos BASIC size 6H closed-bottom base with threaded collar M25, right, with cover, high design, single locking lever
73.344.0635.0	Bottom BAS GUT GR 6HM32 69 A0	revos BASIC 500V size 6H closed-bottom base with 2 cable glands M32, with cover, high design, single locking lever
73.344.0635.1	Bottom BAS GUT GR 6HM32 69 A1	revos BASIC size 6H closed-bottom base with 2 threaded collars M32, with cover, high design, single locking lever
73.345.0635.0	Bottom BAS GUT GS 6HM32 69 A0	revos BASIC 500V size 6H closed-bottom base with cable gland M32, left, with cover, high design, single locking lever
73.345.0635.1	Bottom BAS GUT GS 6HM32 69 A1	revos BASIC size 6H closed-bottom base with threaded collar M32, left, with cover, high design, single locking lever
73.346.0635.0	Bottom BAS GUT GT 6HM32 69 A0	revos BASIC 500V size 6H closed-bottom base with cable gland M32, right, with cover, high design, single locking lever
73.346.0635.1	Bottom BAS GUT GT 6HM32 69 A1	revos BASIC size 6H closed-bottom base with threaded collar M32, right, with cover, high design, single locking lever

These dimensions will be especially checked at delivery
 Only inspection dimensions
 With /E marked dimensions are only valid for internal use

Diese Maße werden bei Abnahme besonders geprüft
 Ausschließlich Prüfmaße
 Mit /E gekennzeichnete Maße sind nur für interne Zwecke gültig



Varianten/ Variants



70.35 ³ ₀ .0635.5	BAS GOT GG 6 M25 M20 A 5	Kabelverschraubung(KV), IP65 /Cable gland(CG), IP65	
70.35 ³ ₀ .0635.4	BAS GOT GG 6 M25 M20 A 4	KV mit Zugentlastung, IP54 /CG with strain relief, IP54	
70.35 ³ ₀ .0635.3	BAS GOT GG 6 M25 M20 A 3	KV mit Zugentlastung und Knickschutz, IP54 /CG with strain relief and bend support, IP54	
70.35 ³ ₀ .0635.2	BAS GOT GG 6 M25 M20 A 2	Zwischenstützen /Bushing	
70.35 ³ ₀ .0635.1	BAS GOT GG 6 M25 M20 A 1	Gewindebohrung /Thread hole	X
70.35 ³ ₀ .0635.0	BAS GOT GG 6 M25 M20 A 0	Kabelverschraubung(KV), IP54 /Cable gland(CG), IP54	
Bestellnummer /Order number	Typ /Type	Varianten /Variants	der-gestellt /drawed

Weitere Daten siehe KATALOG oder eKatalog. Additional data see CATALOG or eCatalog. www.wieland-electric.com eshop.wieland-electric.com

Tolerierung Size ISO 14405/Tolerance system Size ISO 14405. (This ISO-standard describes the envelope principle. According to the envelope principle the deviations of form and parallelism are limited by the size tolerances).		ja/yes <input checked="" type="checkbox"/> Stoffverbots- und Deklarationsliste nach UU-TOM-05/03 ist einzuhalten. Conformity with Wieland document UU-TOM-05/03 (list of prohibited / declarable hazardous substances) to be declared!	
Freitoleranz nach General tolerance		CAD - Zeichnung, keine manuellen Änderungen CAD - drawing, no manual modifications allowed	1.Verwendung: First Use: -
Blatt: 1 von 1 Sheet: of 1		Zeichnung Nr./Drawing No. Index	
70.350.0635.0 13K		Maße in mm/Dimensions are in mm	
Werkstoff/Material Aluminium beschichtet/ coated grau/ grey		2013 Tag/Date 20.08. Name Treschan	Type Benennung/Titel
Maßstab/Scale 1:2		gezeichnet/drawn geprüft/checked Normgepr. Stand. check	
Vol. mm ³ Ofl./Surf. mm ²		Ersatz für/Replacement for: -	
wieland Elektrische Verbindungen		revos BASIC	
Index Datum / Blatt Date / Sheet		GEHAEUSEBERTE IL	
Änderung/Revision		Baugröße 6-Kabelabgang seitlich-M20/M25 Hood size 6-cable outlet side M20/M25	

Weitergabe sowie Vervielfältigung dieses Dokuments, Verwertung und Mitteilung seines Inhalts sind verboten, soweit nicht ausdrücklich gestattet. The reproduction, distribution and utilization of this document as well as the communication of its contents to others without express authorization is prohibited.

703500635013K_2 CADW3028 Treschan 2013-09-201084806 1.000