

Data sheet

Art.No.: 70.350.2435.0

Hood BAS GOT GA 24 M25 A0

revos BASIC size 24 hood with cable gland M25, lateral cable entry, double locking lever



Art.No.	70.350.2435.0
EAN	4015573618800
Order Unit	1

Certificates / Approvals



Technical data

General

Housing material	Aluminium
Color	Grey
Surface	With powder coating
Degree of protection (IP)	IP54
UV resistant	Yes
Inflammability class of insulation material acc. with UL94	Other
Operating temperature range min.	-40 °C
Operating temperature range max.	120 °C

Model

Construction	24
Model	male
Locking mechanism	Double locking levers
Cable entry	Sideways
Type of cable	Gland nut
With cable screw gland	Yes
Thread size M	25
Thread size PG	
Hinged lid	No
EMC-version	No
Length	120 mm
Width	57 mm
Height	70 mm

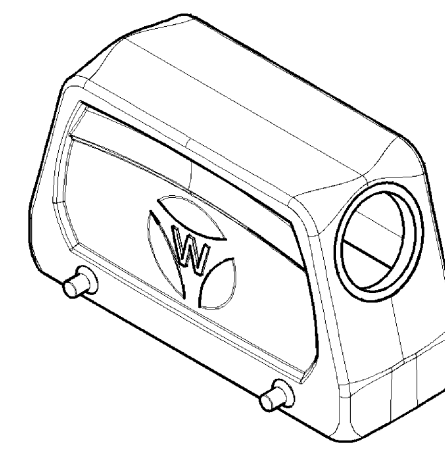
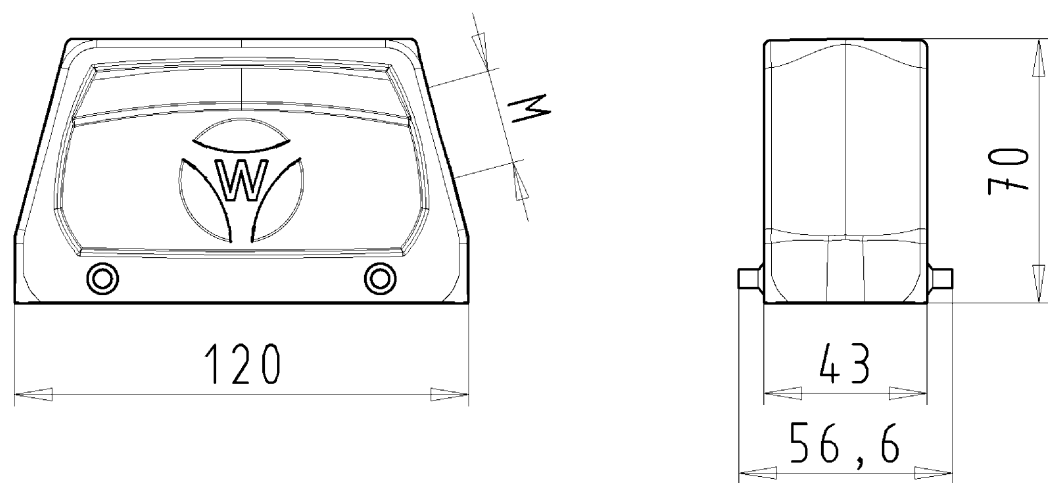
Classification

ECLASS 8.1	27440202
ETIM 7.0	EC000437
ETIM 6.0	EC000437

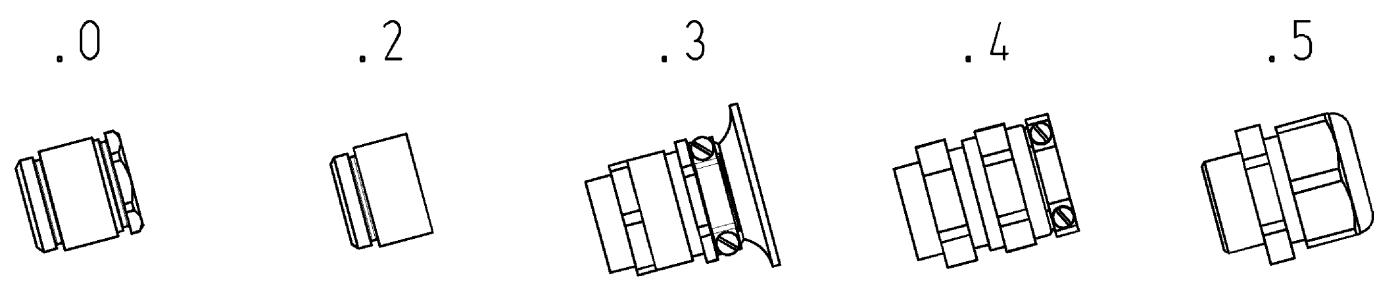
ETIM 5.0	EC000437
ETIM 4.0	EC000437
ETIM 3.0	EC000437

Fits with

Art.No.:	Article/type description:	Description:
70.374.2435.0	Hood BAS GOT GK 24 M32 A0	revos BASIC size 24 hood for cable-to-cable couplings with cable gland M32, top cable entry, double locking lever
70.374.2435.1	Hood BAS GOT GK 24 M32 50 A1	revos BASIC size 24 hood for cable-to-cable couplings with threaded collar M32, top cable entry, double locking lever
70.374.2435.3	Hood BAS GOT GK 24 M32 A3	revos BASIC size 24 hood for cable-to-cable couplings with stain relief M32, top cable entry, double locking lever
70.320.2428.0	Bottom BAS GUT GA 24 A	revos BASIC size 24 open-bottom base, double locking lever
70.330.2435.0	Bottom BAS GUT GB 24 M25 A0	revos BASIC size 24 closed-bottom base with 2 cable glands M25, double locking lever
70.330.2435.1	Bottom BAS GUT GB 24 M25 A1	revos BASIC size 24 closed-bottom base with 2 threaded collar M25, double locking lever
70.331.2435.0	Bottom BAS GUT GC 24 M25 A0	revos BASIC size 24 closed-bottom base with cable gland M25, left, double locking lever
70.331.2435.1	Bottom BAS GUT GC 24 M25 A1	revos BASIC size 24 closed-bottom base with threaded collar M25, left, double locking lever
70.333.2435.0	Bottom BAS GUT GD 24 M25 A0	revos BASIC size 24 closed-bottom base with cable gland M25, bottom, double locking lever
70.333.2435.1	Bottom BAS GUT GD 24 M25 A1	revos BASIC size 24 closed-bottom base with threaded collar M25, bottom, double locking lever
73.334.6435.0	Bottom BAS GUT GB 24HM32 50 A0	revos BASIC size 24H closed-bottom base with 2 cable glands M32, high design, double locking lever
73.334.6435.1	Bottom BAS GUT GB 24HM32 50 A1	revos BASIC size 24H closed-bottom base with threaded collar M32, left, high design, double locking lever
73.335.6435.0	Bottom BAS GUT GC 24HM32 50 A0	revos BASIC size 24H closed-bottom base with cable gland M32, left, high design, double locking lever
73.335.6435.1	Bottom BAS GUT GC 24HM32 50 A1	revos BASIC size 24H closed-bottom base with threaded collar M32, left, high design, double locking lever
73.337.6435.0	Bottom BAS GUT GD 24HM32 50 A0	revos BASIC size 24H closed-bottom base with cable gland M32, bottom, high design, double locking lever
73.337.6435.1	Bottom BAS GUT GD 24HM32 50 A1	revos BASIC size 24H closed-bottom base with threaded collar M32, bottom, high design, double locking lever



Varianten/ Variants



70.35 ³ ₀ .2435.5	BAS GOT GA 24	M32 M25	A 5	Kabelverschraubung(KV), IP65 /Cable gland(CG), IP65	
70.35 ³ ₀ .2435.4	BAS GOT GA 24	M32 M25	A 4	KV mit Zugentlastung, IP54 /CG with strain relief, IP54	
70.35 ³ ₀ .2435.3	BAS GOT GA 24	M32 M25	A 3	KV mit Zugentlastung und Knickschutz, IP54 /CG with strain relief and bend support, IP54	
70.35 ³ ₀ .2435.2	BAS GOT GA 24	M32 M25	A 2	Zwischenstützen /Bushing	
70.35 ³ ₀ .2435.1	BAS GOT GA 24	M32 M25	A 1	Gewindebohrung /Thread hole	X
70.35 ³ ₀ .2435.0	BAS GOT GA 24	M32 M25	A 0	Kabelverschraubung(KV), IP54 /Cable gland(CG), IP54	

Bestellnummer /Order number	Typ /Type	Varianten /Variants	der- gestellt /drawn
Weitere Daten siehe KATALOG oder eKatalog. Additional data see CATALOG or eCatalog.		www.wieland-electric.com eshop.wieland-electric.com	

Tolerierung Size ISO 14405(☉)/Tolerance system Size ISO 14405(☉).
(This ISO-standard describes the envelope principle. According to the envelope principle the deviations of form and parallelism are limited by the size tolerances).

ja/yes Stoffverbots- und Deklarationsliste nach UU-TOM-05/03 ist einzuhalten.
Conformity with Wieland document UU-TOM-05/03 (list of prohibited / declarable hazardous substances) to be declared!

Freitoleranz nach General tolerance		CAD - Zeichnung, keine manuellen Änderungen CAD - drawing, no manual modifications allowed		1. Verwendung: - First Use:		Blatt: 1 von 1 Sheet: of 1	
/		Werkstoff/Material Aluminium beschichtet/ coated grau/ grey		2013 gezeichnet drawn	Tag/Date 21.08.	Name Treschan	
/	Maßstab/Scale 1:2			geprüft checked	-	T 70.350.2435.0 13K	
/	Vol. mm ³	Ofl./Surf. mm ²	Ersatz für/Replacement for: -		Maße in mm/Dimensions are in mm		
Index Datum / Blatt Date / Sheet		wieland Elektrische Verbindungen		Type revos BASIC		Benennung/Tittle GEHAEUSEBERTE IL Baugröße 24-Kabelabgang seitlich-M25/M32 Hood size 24-cable outlet side-M25/M32	
Änderung/Revision							

These dimensions will be especially checked at delivery
Only inspection dimensions
With /E marked dimensions are only valid for internal use

Diese Maße werden bei Abnahme besonders geprüft
Ausschließlich Prüfmaße
Mit /E gekennzeichnete Maße sind nur für interne Zwecke gültig

Weitergabe sowie Vervielfältigung dieses Dokuments, Verwertung und Mitteilung seines Inhalts sind verboten, soweit nicht ausdrücklich gestattet.
The reproduction, distribution and utilization of this document as well as the communication of its contents to others without express authorization is prohibited.

703502435013K_2 CADW3026 Treschan 2013-09-201084922 1.000