

Data sheet

Art.No.: 92.042.3353.1

Device connector GST18i4S S1 SW

Device connectors, built-in components, GST18i4, 4 pole, female, screw connection, 250/400 V, 20 A, colour of coding: black

10110110100010100101011101
0100110110010110100101010
101001101100111001010010
10101001101100111001010010
1101010011011001011010010
10101010010101101010010
10101010010101101010011

**DIGITALIZATION
IN PROGRESS**

Art.No.	92.042.3353.1
EAN	4015573545946
Order Unit	1

Certificates / Approvals



Technical data

General

Rated current	20 A
Rated voltage	250 V / 400 V
Pollution degree	2
Mechanical coding	Code 1
Rated impulse voltage	4 kV
Lockable	self-locking (unlocking by tool)
Color of coding/ contact carrier	black
Marking of poles	2, N, PE, 1

Connection Data

Connection cross section solid mm ² max.	4 mm ²
Connection cross section solid mm ² min.	0.75 mm ²
Connection cross section fine stranded mm ² max.	4 mm ²
Connection cross section fine stranded mm ² min.	0.75 mm ²
Terminations per pole	1
Wire strip length	7 mm

Model

Model	male
Connection type	Screw connection
Angle of plug	straight
Degree of protection (IP)	IP20
Remark to type of connection	Fine stranded wires 4 mm ² only without ferrules
built-in component	Built-in component/connector

Material

Housing material	Polyamide
------------------	-----------

halogen free	Yes
Contact material	CuZn
Fire load	0.049 kWh
Insulation components continuous temperature	100 °C
Surface finish	Tin-plated

Dimensions

Length	31.5 mm
Width	38 mm
Height	19.5 mm

Classification

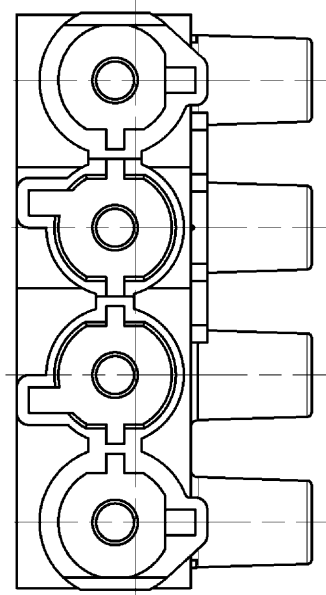
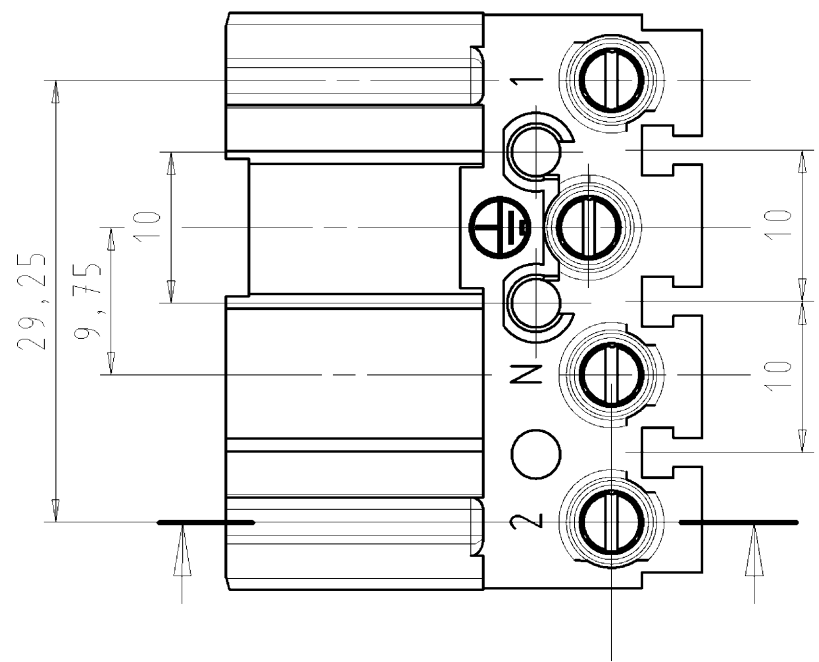
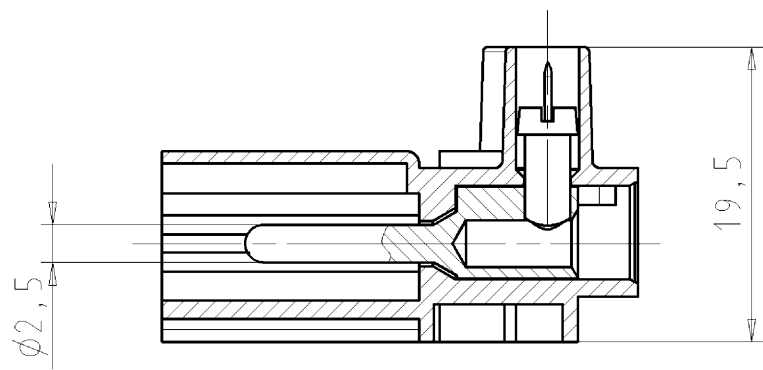
ECLASS 8.1	27440602
ETIM 7.0	EC002566
ETIM 6.0	EC002566
ETIM 5.0	EC002566
ETIM 4.0	EC002566

Accessories

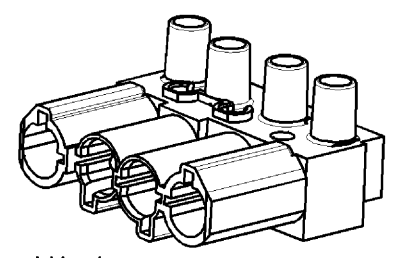
Art.No.:	Article/type description:	Description:
05.564.5353.0	cover cap GST18i3/4/5 SW	Cover piece 12 pole black for female parts GST18i3-6
05.564.5353.2	cover cap GST18i3/4/5 WS	Cover piece 12 pole white for female parts GST18i3-6
05.566.9153.0	cover cap GST18i4 BUCHSEN	Cover for female connectors GST18i4, black
34.300.1122.1	Mounting sheet GST18 3-10 POLIG	Mounting bracket to fix one or two GST18 device connectors. 3-10 poles possible. Can be fixed to the housing with screws or rivets.

These dimensions will be especially checked at delivery
 Only inspection dimensions
 With /E marked dimensions are only valid for internal use

Diese Maße werden bei Abnahme besonders geprüft
 Ausschließlich Prüfmaße
 Mit /E gekennzeichnete Maße sind nur für interne Zwecke gültig



Weitere Daten siehe Katalog
 further data see catalog



M1:1

Teile-Nr. part-no.	Farbe colour
92.042.3353.0	weiß/white
92.042.3353.1	schwarz/black

Tolerierung Size ISO 14405(☉)/Tolerance system Size ISO 14405(☉).
 (This ISO-standard describes the envelope principle. According to the envelope principle the deviations of form and parallelism are limited by the size tolerances).
 ja/yes ☑ Stoffverbots- und Deklarationsliste nach UU-TQM-05/03 ist einzuhalten.
 Conformity with Wieland document UU-TQM-05/03 (list of prohibited / declarable hazardous substances) to be declared!

Freitoleranz nach General tolerance CAD - Zeichnung, keine manuellen Änderungen CAD - drawing, no manual modifications allowed I.Verwendung: - First Use: - Blatt: 1 von 1 Sheet: 1 of 1

 Maßstab/Scale 2:1	Werkstoff/Material 2004 Tag/Date gezeichnet drawn 14.07. geprüft checked Normgepr. Stand., check Name Schmitt J.	Zeichnung Nr./Drawing No. T 92.042.3353.0 01K a	Index a
Vol. mm ³ Oil./Surf. mm ²	Ersatz für/Replacement for: -		
a 02.01.2013/ Datum / Blatt Date / Sheet	 wieland Elektrische Verbindungen	Type Benennung/Tittle male connector STECKERTEIL Schraubanschluss/ screw connection 250/400V AC, 20A, 2,5qmm	

Weitergabe sowie Vervielfältigung dieses Dokuments, Verwertung und Mitteilung seines Inhalts sind verboten, soweit nicht ausdrücklich gestattet.
 The reproduction, distribution and utilization of this document as well as the communication of its contents to others without express authorization is prohibited.

920423353001K_2 CADW3028 Treschan 2013-01-03 1009:17:06 1.000