

Data sheet

Commercial Art.No.: 96.031.5053.1

Device connector RST20i3S B1 M01 SW

RST20i3 device connector M25, 3 pole, female, screw connection, application 250V with PE, 20A, coding color black



Commercial Art.No.	96.031.5053.1
EAN	4015573793248
Order Unit	1

Certificates / Approvals



Technical data

General

Rated current	20 A
Rated voltage	250 V
Pollution degree	3
Rated impulse voltage	4 kV
Lockable	self-locking (unlocking by tool)
Color of coding/ contact carrier	black
Marking of poles	L, N, PE

Connection Data

Connection cross section solid mm ² max.	6 mm ²
Connection cross section solid mm ² min.	0.75 mm ²
Connection cross section solid AWG min.	16 AWG
Connection cross section solid AWG max.	10 AWG
Connection cross section fine stranded mm ² max.	6 mm ²
Connection cross section fine stranded mm ² min.	0.75 mm ²
Terminations per pole	1
Wire strip length	8 mm
Connection cross section stranded AWG min.	16 AWG
Connection cross section stranded AWG max.	10 AWG

Model

Model	female
Connection type	Screw connection
Connecting thread metric	M25

Angle of plug	straight
Degree of protection (IP)	IP66/68 (3m;2h) /IP69
Thickness of housings (electrical device) 2	0.5 mm
Thickness of housings (electrical device)	8 mm

Material

Housing material	Polyamide
halogen free	Yes
Contact material	CuZn
Fire load	0.136 kWh
Insulation components continuous temperature	100 °C
Surface finish	Silver-plated

Dimensions

Length	50.5 mm
Width	35 mm
Height	35 mm

Classification

ECLASS 8.1	27440602
ETIM 7.0	EC002566
ETIM 6.0	EC002566
ETIM 5.0	EC002566
ETIM 4.0	EC002566

Note

Note	RST® terminals with screw clamping allow the connection of conductors without special preparation (without ferrules) according to EN 60999-1.; Positioning realised with flattened thread
------	---

Product compliance

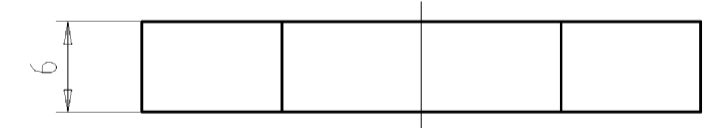
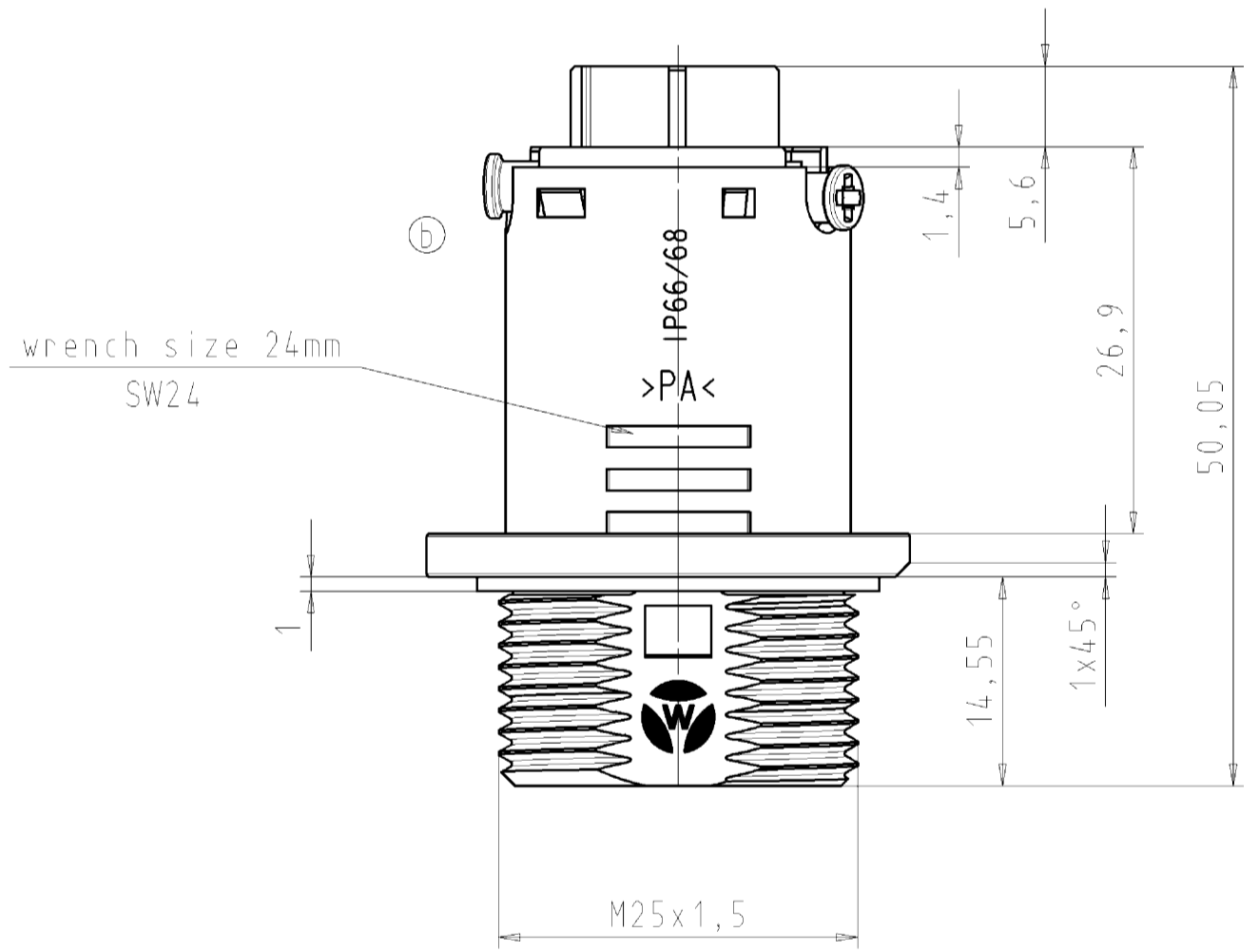
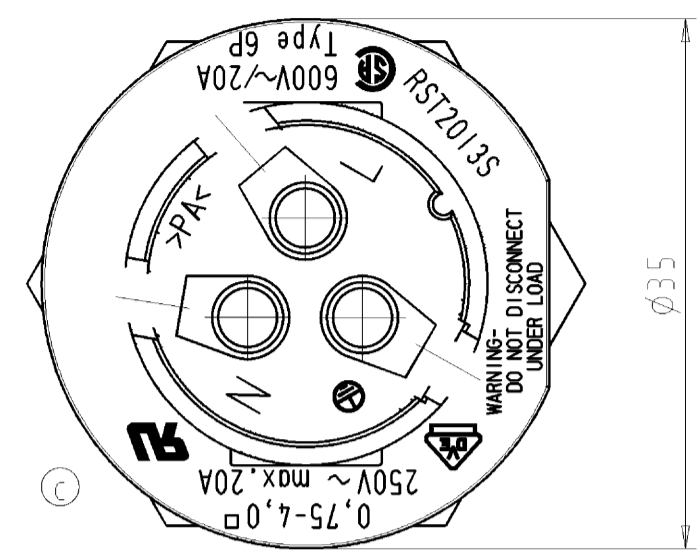
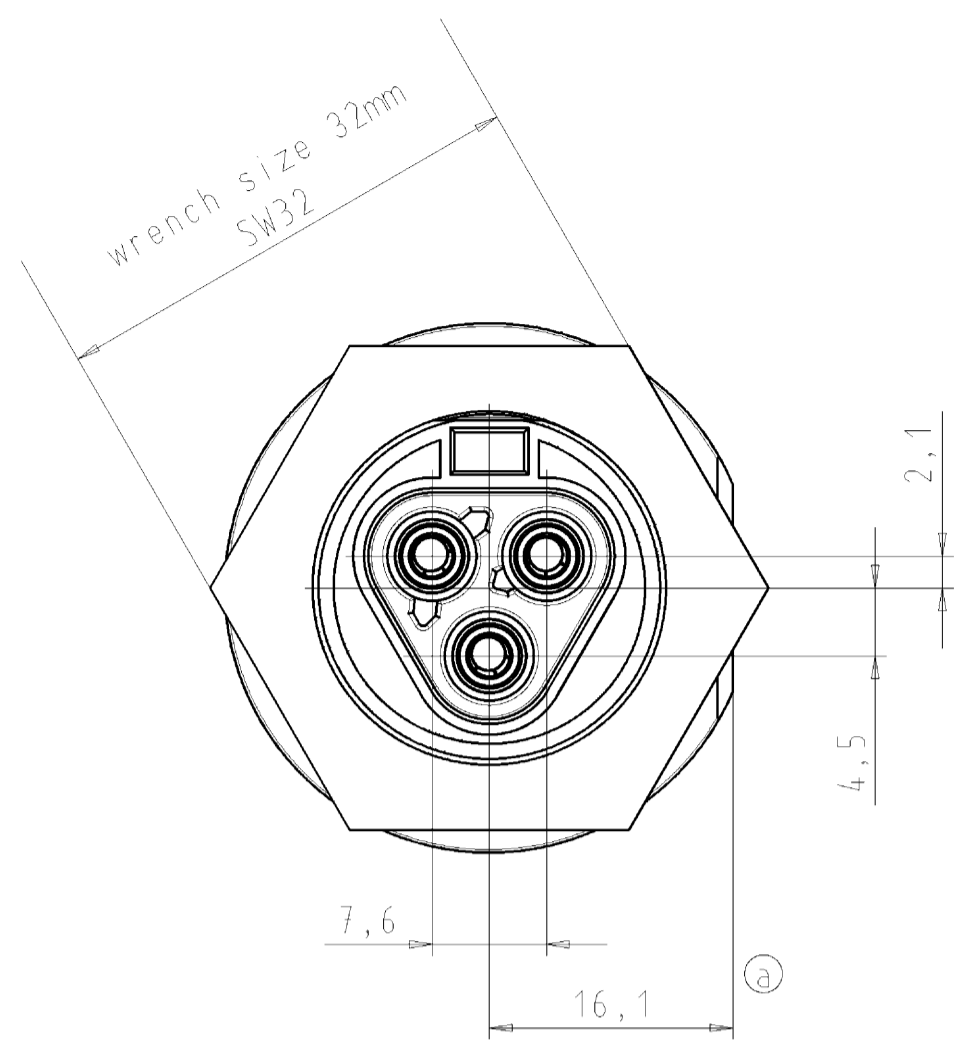
ROHS conformity status	compliant with exceptions
ROHS exceptions	III-6(c)
REACH-SVHC conformity status	Declaration required
REACH-SVHC substances	Lead
REACH-SVHC CAS numbers	7439-92-1

Accessories

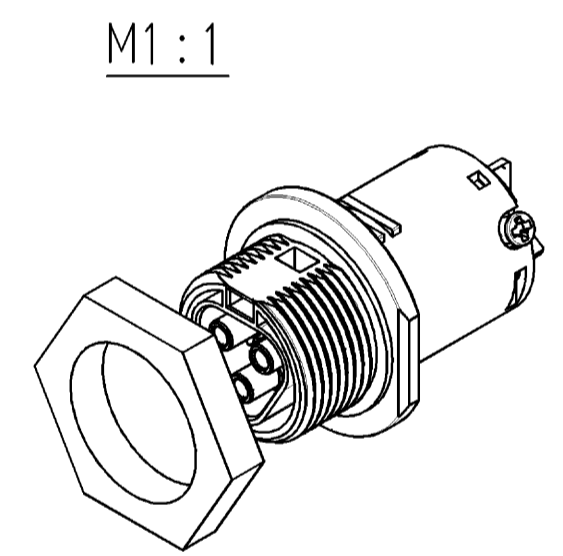
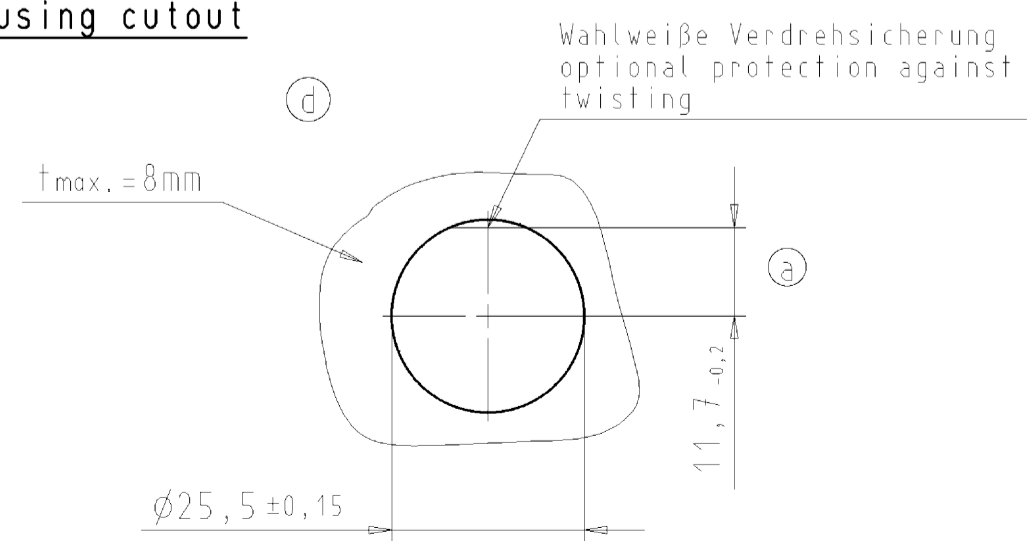
Commercial Art.No.:	Article-type description:	Description:
99.414.6205.2	Cover for female connector SW	RST20i3/2 cover piece, for covering unused female connectors, with fastening belt, color schwarz
Z5.564.4553.1	Cover for female connector SW	RST20i3/2 cover piece, for covering unused female connectors, color black
05.566.5253.1	Spacer ring RST	RST20/25 distance ring, for device connectors to ensure unlocking with screwdriver, color black
05.568.8853.1	Spacer ring RST	RST20/25 distance ring, for device connectors to ensure unlocking without tool,color black

Fits with

Commercial Art.No.:	Article-type description:	Description:
96.032.4053.1	Connector RST20I3S S1 ZR1 V SW	RST 20i3 connector, 3 pole, male, screw connection, application 250V with PE, 20A, for cable diameters 6-10mm, coding color black, color of housing black
96.032.4153.1	Connector RST20I3S S1 ZR2 V SW	RST 20i3 connector, 3 pole, male, screw connection, application 250V with PE, 20A, for cable diameters 10-14mm, coding color black, color of housing black
96.032.4553.1	Connector RST20I3S S1 ZR3 V SW	RST 20i3 connector, 3 pole, male, screw connection, application 250V with PE, 20A, for cable diameters 13-18mm, coding color black, color of housing black
96.034.4053.1	Connector RST20I3S S1 YR1 V SW	RST 20i3 connector (90° angled), 3 pole, male, screw connection, application 250V with PE, 20A, for cable diameters 6-10mm, coding color black, color of housing black
96.034.4153.1	Connector RST20I3S S1 YR2 V SW	RST 20i3 connector (90° angled), 3 pole, male, screw connection, application 250V with PE, 20A, for cable diameters 10-14mm, coding color black, color of housing black
96.032.4253.1	Connector RST20I3S S1 ZRX V SW	RST 20i3 splitter connector, 3 pole, male, screw connection, application 250V with PE, 20A, for cable diameters 6-10mm, coding color black, color of housing black
96.032.4353.1	Connector RST20I3S S1 ZRY V SW	RST 20i3 splitter connector, 3 pole, male, screw connection, application 250V with PE, 20A, for cable diameters 10-14mm, coding color black, color of housing black
96.032.4453.1	Connector RST20I3S S1 ZRW V SW	RST 20i3 connector, 3 pole, male, screw connection, application 250V with PE, 20A, for illumination cable, coding color black, color of housing black
99.400.9999.7	mounting frame RST20/25	RST20/25 mounting frame for system socket, suitable for 2/3/4 or 5 pole M25 device connector
99.404.9999.7	surface mount socket RST20/25	RST20/25 surface mount socket



Gehäuseausschnitt
housing cutout



Teile-Nr./ part-nr.	Farbe:/ color:	Einz.-Tl.-Nr.: *)/ single-part-nr.:*)
96.031.5053.1	schwarz, ähnl. RAL 9005/ black, similar to RAL 90051
96.031.5053.0	lichtgrau, ähnl. RAL 7035/ lightgrey, similar to RAL 70350

Verpackungseinheit: je 100 Stk.
packaging unit: per 100

Tolerierung nach DIN 7167/Tolerance system acc. to DIN 7167. (This DIN-standard describes the envelope principle. According to the envelope principle the deviations of form and parallelism are limited by the size tolerances).		ja/yes <input checked="" type="checkbox"/> Stoffverhalts- und Deklarationsliste nach UU-TQM-05/03 ist einzuhalten. Conformity with Wieland document UU-TQM-05/03 (list of prohibited / declarable hazardous substances) to be declared!	
Freitoleranz nach General tolerance		CAD - Zeichnung, keine manuellen Änderungen EAD - drawing, no manual modifications allowed	
1. Verwendung: First Use:		-	
Blatt: Sheet:		1 von el 1	
Zeichnung Nr./Drawing No.		Index	
T		96.031.5053.0 01K d	
Maße in mm/Dimensions are in mm			
Werkstoff/Material		2004	Tag/Date
Werkstoff und Oberfläche: material and surface: Farbe: siehe Tabelle color: look table		gezeichnet drawn	25.03.
Maßstab/Scale		geprüft checked	-
2:1		Wartung: stand. check	-
Vol.		Ersatz für/Replacement for: -	
Wieland		Type	
Elektrische Verbindungen		RST2013	
Benennung/Title		BUCHSENTEIL	
Änderung/Revision		female connector/für Geräteschluß M25/for device connection M25 Schraubenschluß ohne Drahtschutz/screw-connection without wire protection	

Weitergabe sowie Vervielfältigung dieses Dokuments, Verwertung und Mitteilung seines Inhalts sind verboten, soweit nicht ausdrücklich gestattet. Die Reproduktion, Distribution und Utilization of this document as well as the communication of its contents to others without express authorization is prohibited.

96031505301K_2_CAD2021 Filter_28/2-08-1607/44/13 1/000