

Data sheet

Commercial Art.No.: 96.031.6053.1

Device connector RST20i3S B1 M00 SW

RST20i3 device connector M20, 3 pole, female, screw connection, modular, application 250V with PE, 20A, coding color black, color of housing black



Commercial Art.No.	96.031.6053.1
EAN	4015573793200
Order Unit	1

Certificates / Approvals



Technical data

General

Rated current	20 A
Rated voltage	250 V
Pollution degree	3
Rated impulse voltage	4 kV
Lockable	self-locking (unlocking by tool)
Color of coding/ contact carrier	black
Marking of poles	L, N, PE
Color of separate adapter (if present)	black

Connection Data

Connection cross section solid mm ² max.	6 mm ²
Connection cross section solid mm ² min.	0.75 mm ²
Connection cross section fine stranded mm ² max.	6 mm ²
Connection cross section fine stranded mm ² min.	0.75 mm ²
Terminations per pole	1
Wire strip length	8 mm

Model

Model	female
Connection type	Screw connection
Connecting thread metric	M20
Angle of plug	straight
Degree of protection (IP)	IP66/68 (3m;2h) /IP69
Thickness of housings (electrical device) 2	0.5 mm
Thickness of housings (electrical device)	8 mm

Material

Housing material	Polyamide
halogen free	Yes
Contact material	CuZn
Fire load	0.211 kWh
Insulation components continuous temperature	100 °C
Surface finish	Silver-plated

Dimensions

Length	68.2 mm
Width	35 mm
Height	35 mm

Classification

ECLASS 8.1	27440602
ETIM 7.0	EC002566
ETIM 6.0	EC002566
ETIM 5.0	EC002566
ETIM 4.0	EC002566

Note

Note	RST® terminals with screw clamping allow the connection of conductors without special preparation (without ferrules) according to EN 60999-1.; Positioning realised with flattened thread
------	---

Product compliance

ROHS conformity status	compliant with exceptions
ROHS exceptions	III-6(c)
REACH-SVHC conformity status	Declaration required
REACH-SVHC substances	Lead
REACH-SVHC CAS numbers	7439-92-1

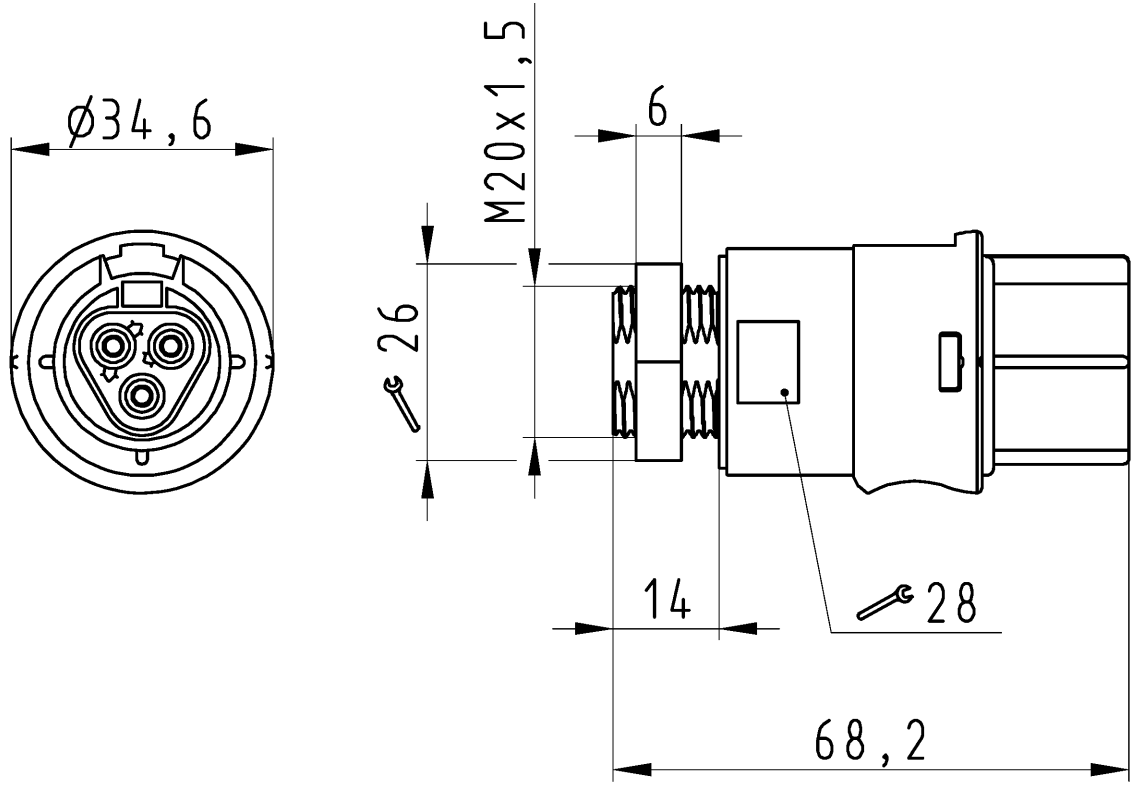
Accessories

Commercial Art.No.:	Article-type description:	Description:
99.414.6205.2	Cover for female connector SW	RST20i3/2 cover piece, for covering unused female connectors, with fastening belt, color schwarz
Z5.564.4553.1	Cover for female connector SW	RST20i3/2 cover piece, for covering unused female connectors, color black

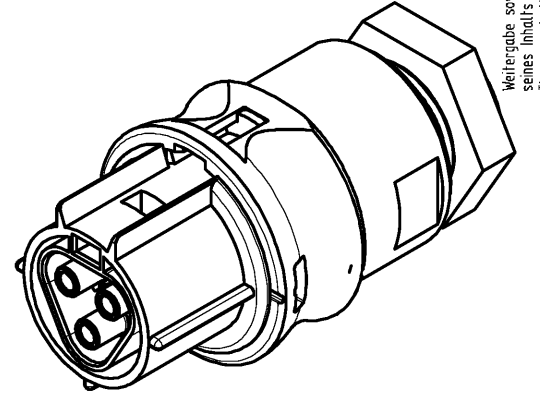
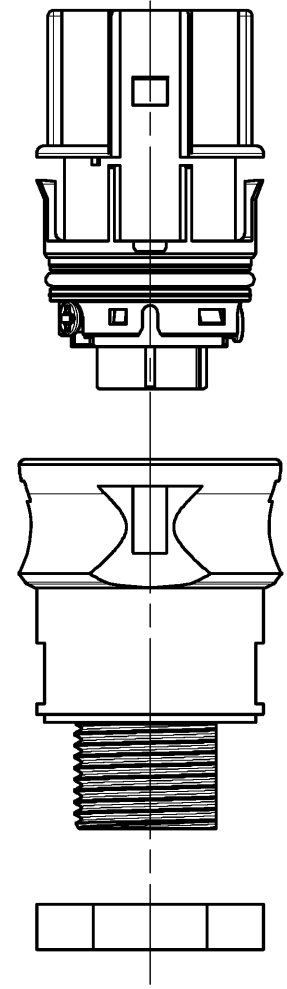
Fits with

Commercial Art.No.:	Article-type description:	Description:
96.032.4053.1	Connector RST20i3S S1 ZR1 V SW	RST 20i3 connector, 3 pole, male, screw connection, application 250V with PE, 20A, for cable diameters 6-10mm, coding color black, color of housing black
96.032.4153.1	Connector RST20i3S S1 ZR2 V SW	RST 20i3 connector, 3 pole, male, screw connection, application 250V with PE, 20A, for cable diameters 10-14mm, coding color black, color of housing black

96.032.4553.1	Connector RST20I3S S1 ZR3 V SW	RST 20i3 connector, 3 pole, male, screw connection, application 250V with PE, 20A, for cable diameters 13-18mm, coding color black, color of housing black
96.034.4053.1	Connector RST20I3S S1 YR1 V SW	RST 20i3 connector (90° angled), 3 pole, male, screw connection, application 250V with PE, 20A, for cable diameters 6-10mm, coding color black, color of housing black
96.034.4153.1	Connector RST20I3S S1 YR2 V SW	RST 20i3 connector (90° angled), 3 pole, male, screw connection, application 250V with PE, 20A, for cable diameters 10-14mm, coding color black, color of housing black
96.032.4253.1	Connector RST20I3S S1 ZRX V SW	RST 20i3 splitter connector, 3 pole, male, screw connection, application 250V with PE, 20A, for cable diameters 6-10mm, coding color black, color of housing black
96.032.4353.1	Connector RST20I3S S1 ZRY V SW	RST 20i3 splitter connector, 3 pole, male, screw connection, application 250V with PE, 20A, for cable diameters 10-14mm, coding color black, color of housing black
96.032.4453.1	Connector RST20I3S S1 ZRW V SW	RST 20i3 connector, 3 pole, male, screw connection, application 250V with PE, 20A, for illumination cable, coding color black, color of housing black



Auslieferungszustand
delivery status



Verpackungseinheit: je 100 Stück
packaging unit: per 100

96.031.6053.1	RST2013S B1 M00 SW	schwarz /black
96.031.6053.0	RST2013S B1 M00 GL	lichtgrau /light grey
Bestellnummer /Order number	Typ /Type	Farbe /color
Weitere Daten siehe KATALOG oder eKatalog. Additional data see CATALOG or eCatalog.		www.wieland-electric.com eshop.wieland-electric.com

Öffnungsmassbild siehe 96.031.2053.1 14K
opening dimension see 96.031.2053.1 14K

Tolerierung Size ISO 14405(®)/Tolerance system Size ISO 14405(®). (This ISO-standard describes the envelope principle. According to the envelope principle the deviations of form and parallelism are limited by the size tolerances).		ja/yes <input checked="" type="checkbox"/> Stoffverbots- und Deklarationsliste nach WN 5020.010 ist einzuhalten. Conformity with Wieland document WN 5020.010 e (list of prohibited / declarable hazardous substances) to be declared!	
Freitoleranz nach General tolerance	CAD - Zeichnung, keine manuellen Änderungen CAD - drawing, no manual modifications allowed	1.Verwendung: First Use:	Blatt: 1 von 1 Sheet: of 1
	Werkstoff/Material	2015 Tag/Date	Name
	Maßstab/Scale	gezeichnet drawn	15.07. Nagengast F.
	1:1	geprüft checked	
	Vol. mm³ Ofl./Surf. mm²	Normgepr. Stand. check	
Ersatz für/Replacement for: -		Zeichnung Nr./Drawing No.	
		T 96.031.6053.0 13K	
		Maße in mm/Dimensions are in mm	
www.wieland www.wieland-electric.com		Type	Benennung/Title
Index Datum / Blatt Date / Sheet		BUCHSENTEIL female connector	
Änderung/Revision			

These dimensions will be especially checked at delivery
Only inspection dimensions
With /E marked dimensions are only valid for internal use

Diese Maße werden bei Abnahme besonders geprüft
Ausschließlich Prüfmaße
Mit /E gekennzeichnete Maße sind nur für interne Zwecke gültig

Weitergabe sowie Vervielfältigung dieses Dokuments, Verwertung und Mitteilung seines Inhalts sind verboten, soweit nicht ausdrücklich gestattet.
The reproduction, distribution and utilization of this document as well as the communication of its contents to others without express authorization is prohibited.