

## Data sheet

Commercial Art.No.: 96.041.5053.1

Device connector RST20i4S B1 M01 SW

RST20i5/4 device connector M25, 4 pole, female, screw connection, application 250/400V with PE, 20A, coding color black



Commercial Art.No.	96.041.5053.1
EAN	4015573863309
Order Unit	1

Certificates / Approvals



LR



## Technical data

### General

Rated current	20 A
Rated voltage	250 V / 400 V
Pollution degree	3
Rated impulse voltage	4 kV
Lockable	self-locking (unlocking by tool)
Color of coding/ contact carrier	black
Marking of poles	1, 2, 3, PE
Color of separate adapter (if present)	black

### Connection Data

Connection cross section solid mm <sup>2</sup> max.	4 mm <sup>2</sup>
Connection cross section solid mm <sup>2</sup> min.	0.75 mm <sup>2</sup>
Connection cross section fine stranded mm <sup>2</sup> max.	4 mm <sup>2</sup>
Connection cross section fine stranded mm <sup>2</sup> min.	0.75 mm <sup>2</sup>
Terminations per pole	1
Wire strip length	8 mm

### Model

Model	female
Connection type	Screw connection
Connecting thread metric	M25
Angle of plug	straight
Degree of protection (IP)	IP66/68 (3m;2h) /IP69
Thickness of housings (electrical device) 2	0.5 mm

Thickness of housings (electrical device)	8 mm
---	------

#### Material

Housing material	Polyamide
halogen free	Yes
Contact material	CuZn
Fire load	0.135 kWh
Insulation components continuous temperature	100 °C
Surface finish	Silver-plated

#### Dimensions

Length	51.4 mm
Width	35 mm
Height	35 mm

#### Classification

ECLASS 8.1	27440602
ETIM 7.0	EC002566
ETIM 6.0	EC002566
ETIM 5.0	EC002566
ETIM 4.0	EC002566

#### Note

Note	RST® terminals with screw clamping allow the connection of conductors without special preparation (without ferrules) according to EN 60999-1.; Positioning realised with flattened thread
------	---

#### Product compliance

ROHS conformity status	compliant with exceptions
ROHS exceptions	III-6(c)
REACH-SVHC conformity status	Declaration required
REACH-SVHC substances	Lead
REACH-SVHC CAS numbers	7439-92-1

#### Accessories

Commercial Art.No.:	Article-type description:	Description:
05.566.5253.1	Spacer ring RST	RST20/25 distance ring, for device connectors to ensure unlocking with screwdriver, color black
05.568.8853.1	Spacer ring RST	RST20/25 distance ring, for device connectors to ensure unlocking without tool,color black

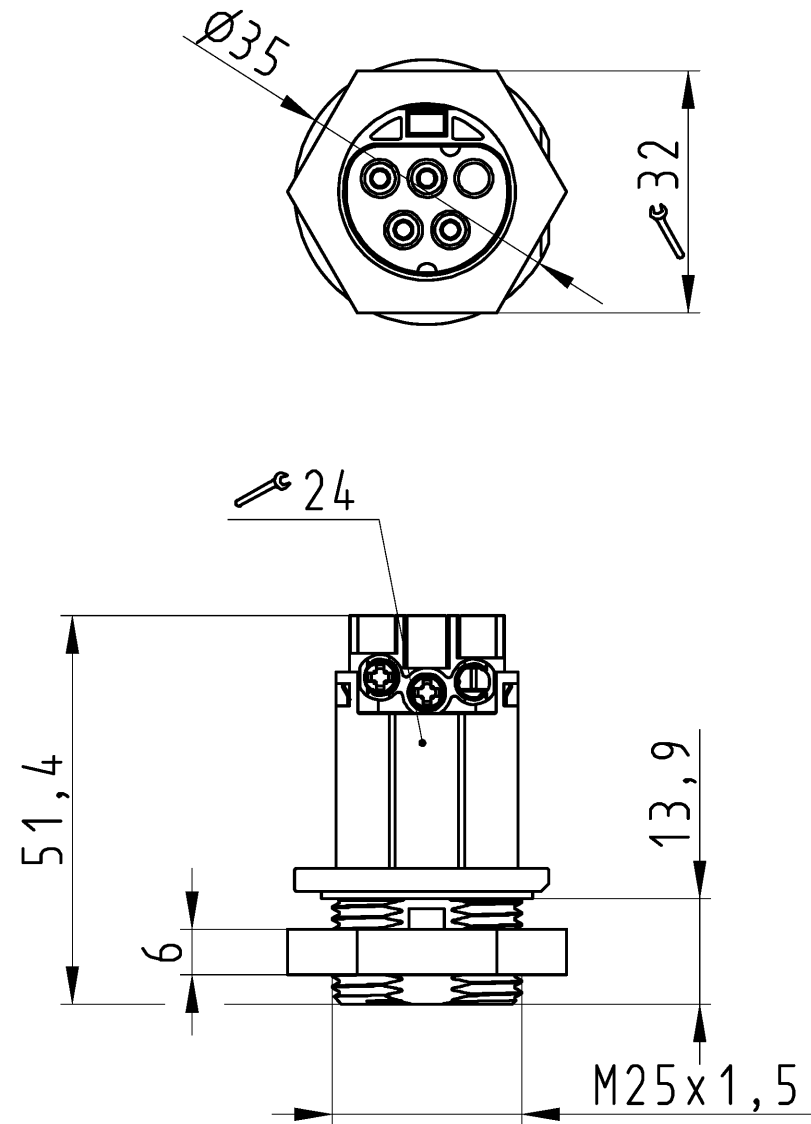
#### Fits with

Commercial Art.No.:	Article-type description:	Description:
96.042.4053.1	Connector RST20I4S S1 ZR1 V SW	RST 20i5/4 connector, 4 pole, male, screw connection, application 250/400V with PE, 20A, for cable diameters 6-10mm, coding color black, color of housing black

96.042.4153.1	Connector RST20I4S S1 ZR2 V SW	RST 20i5/4 connector, 4 pole, male, screw connection, application 250/400V with PE, 20A, for cable diameters 10-14mm, coding color black, color of housing black
96.042.4553.1	Connector RST20I4S S1 ZR3 V SW	RST 20i5/4 connector, 4 pole, male, screw connection, application 250/400V with PE, 20A, for cable diameters 13-18mm, coding color black, color of housing black
96.044.4053.1	Connector RST20I4S S1 YR1 V SW	RST 20i5/4 connector (90° angled), 4 pole, male, screw connection, application 250/400V with PE, 20A, for cable diameters 6-10mm, coding color black, color of housing black
96.044.4153.1	Connector RST20I4S S1 YR2 V SW	RST 20i5/4 connector (90° angled), 4 pole, male, screw connection, application 250/400V with PE, 20A, for cable diameters 10-14mm, coding color black, color of housing black
96.042.4353.1	Connector RST20I4S S1 ZRY V SW	RST 20i5/4 splitter connector, 4 pole, male, screw connection, application 250/400V with PE, 20A, for cable diameters 10-14mm, coding color black, color of housing black

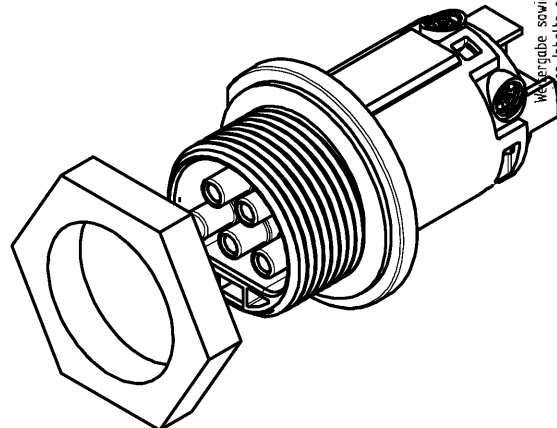
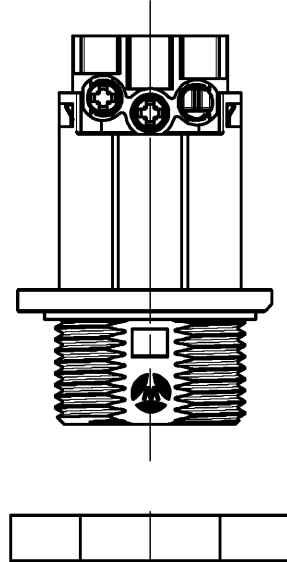
These dimensions will be especially checked at delivery  
 Only inspection dimensions  
 With /E marked dimensions are only valid for internal use

Diese Maße werden bei Abnahme besonders geprüft  
 Ausschließlich Prüfmaße  
 Mit /E gekennzeichnete Maße sind nur für interne Zwecke gültig



Öffnungsbild siehe 96.031.1053.1 14K  
 opening dimension see 96.031.1053.1 14K

Auslieferungszustand  
 delivery status



Verpackungseinheit: je 100 Stück  
 packaging unit: per 100

96.041.5053.1	RST2014S B1 M01V SW	schwarz /black
96.041.5053.0	RST2014S B1 M01V GL	lichtgrau /lightgrey
Bestellnummer /Order number	Typ /Type	Farbe /color
<b>Weitere Daten siehe KATALOG oder eKatalog. Additional data see CATALOG or eCatalog.</b>		<b>www.wieland-electric.com eshop.wieland-electric.com</b>

Tolerierung Size ISO 14405(®)/Tolerance system Size ISO 14405(®). (This ISO-standard describes the envelope principle. According to the envelope principle the deviations of form and parallelism are limited by the size tolerances).		ja/yes <input checked="" type="checkbox"/> Stoffverbots- und Deklarationsliste nach WN 5020.010 ist einzuhalten. Conformity with Wieland document WN 5020.010 e (list of prohibited / declarable hazardous substances) to be declared!	
Freitoleranz nach General tolerance		CAD - Zeichnung, keine manuellen Änderungen CAD - drawing, no manual modifications allowed	1.Verwendung: - First Use:
Blatt: 1 von 1 Sheet: of		Zeichnung Nr./Drawing No. <b>96.041.5053.0 13K</b>	
Maßstab/Scale <b>1:1</b>		Name Nagengast F.	
Vol. mm <sup>3</sup> Of l./Surf. mm <sup>2</sup>		Ersatz für/Replacement for: -	
www.wieland-electric.com		Type Benennung/Title <b>BUCHSENTEIL</b> female connector	
Index	Datum / Blatt Date / Sheet		
Änderung/Revision			

Wiedergabe sowie Vervielfältigung dieses Dokuments, Verwertung und Mitteilung seines Inhalts sind verboten, soweit nicht ausdrücklich gestattet.  
 The reproduction, distribution and utilization of this document as well as the communication of its contents to others without express authorization is prohibited.