

## Data sheet

Art.No.: 96.042.4153.1

Connector RST20I4S S1 ZR2 V SW

RST 20I5/4 connector, 4 pole, male, screw connection, application 250/400V with PE, 20A, for cable diameters 10-14mm, coding color black, color of housing black



|            |               |
|------------|---------------|
| Art.No.    | 96.042.4153.1 |
| EAN        | 4015573863507 |
| Order Unit | 1             |

Certificates / Approvals



LR



## Technical data

### General

|  |                                  |
|--|----------------------------------|
| Rated current                            | 20 A                             |
| Rated voltage                            | 250 V / 400 V                    |
| Rated impulse voltage                    | 4 kV                             |
| strain relief                            | Yes                              |
| Pollution degree                         | 3                                |
| Lockable                                 | self-locking (unlocking by tool) |
| Color of coding/ contact carrier         | black                            |
| Marking of poles                         | 1, 2, 3, PE                      |
| Color of housing inclusive strain relief | black                            |

### Connection Data

|   |                      |
|---|----------------------|
| Cable diameter max.   | 14 mm                |
| Cable diameter min.   | 10 mm                |
| Connection cross section solid mm <sup>2</sup> max.         | 4 mm <sup>2</sup>    |
| Connection cross section solid mm <sup>2</sup> min.         | 0.75 mm <sup>2</sup> |
| Connection cross section fine stranded mm <sup>2</sup> max. | 4 mm <sup>2</sup>    |
| Connection cross section fine stranded mm <sup>2</sup> min. | 0.75 mm <sup>2</sup> |
| Terminations per pole                                       | 1                    |
| Connection cross section stranded mm <sup>2</sup> min.      | 0.75 mm <sup>2</sup> |
| Connection cross section stranded mm <sup>2</sup> max.      | 4 mm <sup>2</sup>    |
| sheath strip length   | 26.5 mm              |
| Wire strip length   | 8 mm                 |

### Model

|       |      |
|-------|------|
| Model | male |
|-------|------|

|                           |                       |
|---------------------------|-----------------------|
| Connection type           | Screw connection      |
| Degree of protection (IP) | IP66/68 (3m;2h) /IP69 |

#### Material

|  |               |
|--|---------------|
| Housing material                             | Polyamide     |
| halogen free                                 | Yes           |
| Contact material                             | CuZn          |
| Fire load                                    | 0.285 kWh     |
| Insulation components continuous temperature | 100 °C        |
| Surface finish                               | Silver-plated |

#### Dimensions

|        |         |
|--------|---------|
| Length | 78.4 mm |
| Width  | 34.6 mm |
| Height | 34.6 mm |

#### Classification

|            |          |
|------------|----------|
| ECLASS 8.1 | 27440605 |
| ETIM 7.0   | EC002560 |
| ETIM 6.0   | EC002560 |
| ETIM 5.0   | EC002560 |
| ETIM 4.0   | EC002560 |

#### Note

|      |   |
|------|---|
| Note | RST® terminals with screw clamping allow the connection of conductors without special preparation (without ferrules) according to EN 60999-1. |
|------|---|

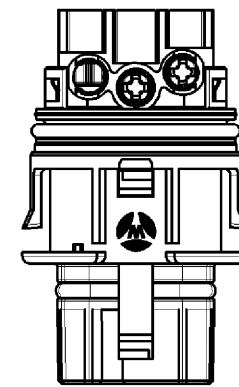
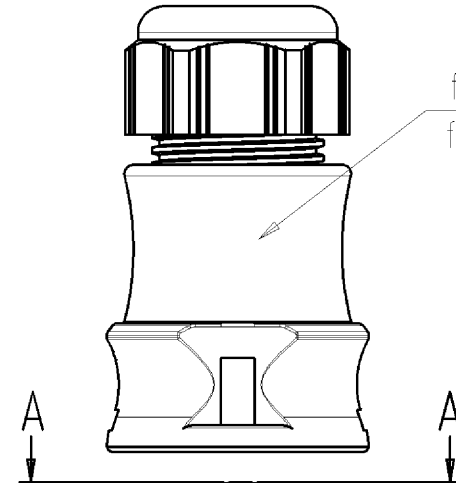
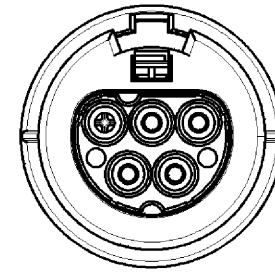
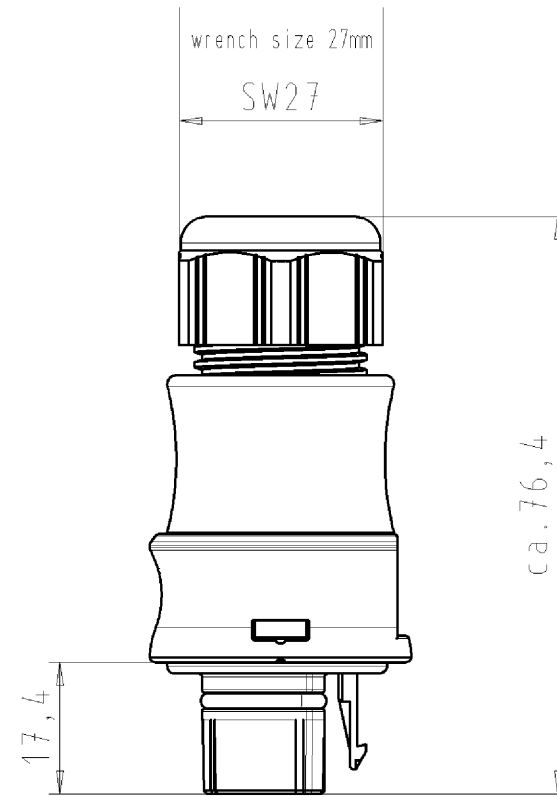
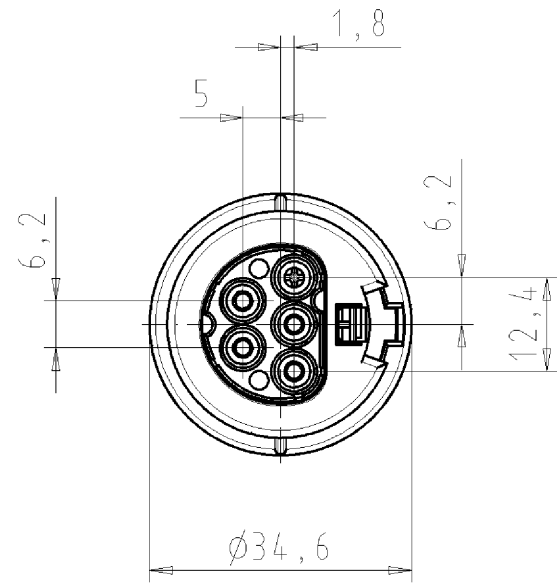
#### Fits with

| Art.No.:      | Article/type description:           | Description:  |
|---------------|-------------------------------------|---|
| 96.041.4153.1 | Connector RST20I4S B1 ZR2 SW        | RST 20i5/4 connector, 4 pole, female, screw connection, application 250/400V with PE, 20A, for cable diameters 10-14mm, coding color black, color of housing black              |
| 96.043.4153.1 | Connector RST20I4S B1 YR2 SW        | RST 20i5/4 connector (90° angled), 4 pole, female, screw connection, application 250/400V with PE, 20A, for cable diameters 10-14mm, coding color black, color of housing black |
| 96.041.5053.1 | Device connector RST20I4S B1 M01 SW | RST20i5/4 device connector M25, 4 pole, female, screw connection, application 250/400V with PE, 20A, coding color black   |
| 96.041.6153.1 | Device connector RST20I4S B1 M03 SW | RST20i5/4 device connector M16, 4 pole, female, screw connection, modular, application 250/400V with PE, 20A, coding color black, color of housing black                        |
| 96.041.6053.1 | Device connector RST20I4S B1 M00 SW | RST20i5/4 device connector M20, 4 pole, female, screw connection, modular, application 250/400V with PE, 20A, coding color black, color of housing black                        |
| 96.043.6053.1 | Device connector RST20I4S B1 M90 SW | RST20i5/4 device connector (90° angled) M20, 4 pole, female, screw connection, modular, application 250/400V with PE, 20A, coding color black, color of housing black           |
| 96.043.6253.1 | Device connector RST20I4S B1 M91 SW | RST20i5/4 device connector (90° angled) M25, 4 pole, female, screw connection, modular, application 250/400V with PE, 20A, coding color black, color of housing black           |

|               |                                     |  |
|---------------|-------------------------------------|--|
| 96.045.6153.1 | Device connector RST20I4S B1 M13 SW | RST20i5/4 device connector (7° angled) M16, 4 pole, female, screw connection, modular, application 250/400V with PE, 20A, coding color black, color of housing black |
|---------------|-------------------------------------|--|

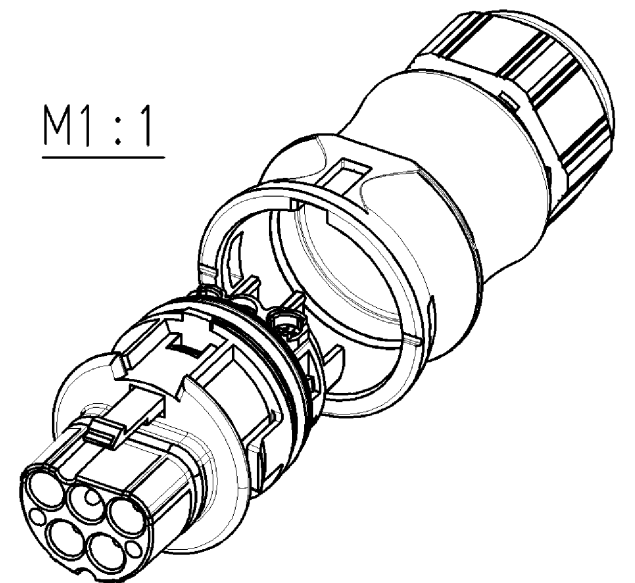
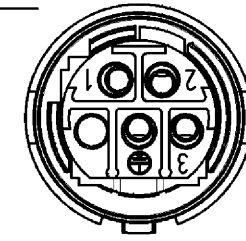
These dimensions will be especially checked at delivery  
Only inspection dimensions  
With /E marked dimensions are only valid for internal use

Diese Maße werden bei Abnahme besonders geprüft  
Ausschließlich Prüfmaße  
Mit /E gekennzeichnete Maße sind nur für interne Zwecke gültig



for cable diameter 10-14mm  
für Kabeldurchm. 10-14mm

A-A



Verpackungseinheit: je 100 Stück  
packaging unit: per 100

| Teile-Nr./<br>part-nr. | Farbe:/<br>color:  | Type                 |
|------------------------|--|----------------------|
| 96.042.4153.1          | schwarz, ähnl. RAL 9005/<br>black, similar to RAL 9005       | RST2014S S1 ZR2 V SW |
| 96.042.4153.0          | lichtgrau, ähnl. RAL 7035/<br>lightgrey, similar to RAL 7035 | RST2014S S1 ZR2 V GL |

|  |  |  |                                |
|--|--|--|--------------------------------|
| Tolerierung nach DIN 7167/Tolerance system acc. to DIN 7167.<br>(This DIN-standard describes the envelope principle. According to the envelope principle the deviations of form and parallelism are limited by the size tolerances). |  | nein/no <input checked="" type="checkbox"/> Stoffverbots- und Deklarationsliste nach UU-TQM-05/03 ist einzuhalten.<br>Conformity with Wieland document UU-TQM-05/03 (list of prohibited / declarable hazardous substances) to be declared! |                                |
| Freitoleranz nach<br>General tolerance   |  | CAD - Zeichnung, keine manuellen Änderungen<br>CAD - drawing, no manual modifications allowed  | 1. Verwendung:<br>First Use: - |
| Blatt: 1 von 1<br>Sheet: 1 of 1  |  | Zeichnung Nr./Drawing No. Index  |                                |
| a  |  | T 96.042.4153.0 01K a  |                                |
| Maßstab/Scale<br>1:1   |  | Maße in mm/Dimensions are in mm  |                                |
| Werkstoff/Material   |  | Ersatz für/Replacement for: -  |                                |
| 2005 Tag/Date Name   |  | Type Benennung/Title   |                                |
| gezeichnet<br>drawn 13.09. Kneitz  |  | siehe Tabelle  |                                |
| geprüft<br>checked - -   |  | STECKERTEIL MIT ZUGENTLASTUNG  |                                |
| Nicht gepr.<br>Stand. check - -  |  | male connector with cord grip  |                                |
| Vol. mm <sup>3</sup> Öl./Surf. mm <sup>2</sup>   |  | Schraubanschluß ohne Drahtschutz/screw-connection without wire protection  |                                |
| a 08.12.2005/<br>Index Datum / Blatt<br>Date / Sheet   |  | Standardkodierung 0/standard-keying 0 (250V/400V/20A)  |                                |
| Änderung/Revision  |  | Elektrische Verbindungen   |                                |

Weitergabe sowie Vervielfältigung dieses Dokuments, Verwertung und Mitteilung seines Inhalts sind verboten, soweit nicht ausdrücklich gestattet.  
The reproduction, distribution and utilization of this document as well as the communication of its contents to others without express authorization is prohibited.

960424153001K\_4\_CADW1019\_Kneitz 2005-12-08T07:59:01 1.000 QU-PEM-08/91