

Data sheet

Commercial Art.No.: 96.042.6053.1

Device connector RST20i4S S1 M00V SW

RST20i5/4 device connector M20, 4 pole, male, screw connection, modular, application 250/400V with PE, 20A, coding color black, color of housing black



Commercial Art.No.	96.042.6053.1
EAN	4015573863545
Order Unit	1

Certificates / Approvals



Technical data

General

Rated current	20 A
Rated voltage	250 V / 400 V
Pollution degree	3
Rated impulse voltage	4 kV
Lockable	self-locking (unlocking by tool)
Color of coding/ contact carrier	black
Marking of poles	1, 2, 3, PE
Color of separate adapter (if present)	black

Connection Data

Connection cross section solid mm ² max.	4 mm ²
Connection cross section solid mm ² min.	0.75 mm ²
Connection cross section fine stranded mm ² max.	4 mm ²
Connection cross section fine stranded mm ² min.	0.75 mm ²
Terminations per pole	1
Wire strip length	8 mm

Model

Model	male
Connection type	Screw connection
Connecting thread metric	M20
Angle of plug	straight
Degree of protection (IP)	IP66/68 (3m;2h) /IP69
Thickness of housings (electrical device) 2	0.5 mm

Thickness of housings (electrical device)	8 mm
---	------

Material

Housing material	Polyamide
halogen free	Yes
Contact material	CuZn
Fire load	0.206 kWh
Insulation components continuous temperature	100 °C
Surface finish	Silver-plated

Dimensions

Length	66.2 mm
Width	34.6 mm
Height	34.6 mm

Classification

ECLASS 8.1	27440602
ETIM 7.0	EC002566
ETIM 6.0	EC002566
ETIM 5.0	EC002566
ETIM 4.0	EC002566

Note

Note	RST® terminals with screw clamping allow the connection of conductors without special preparation (without ferrules) according to EN 60999-1.; Positioning realised with flattened thread
------	---

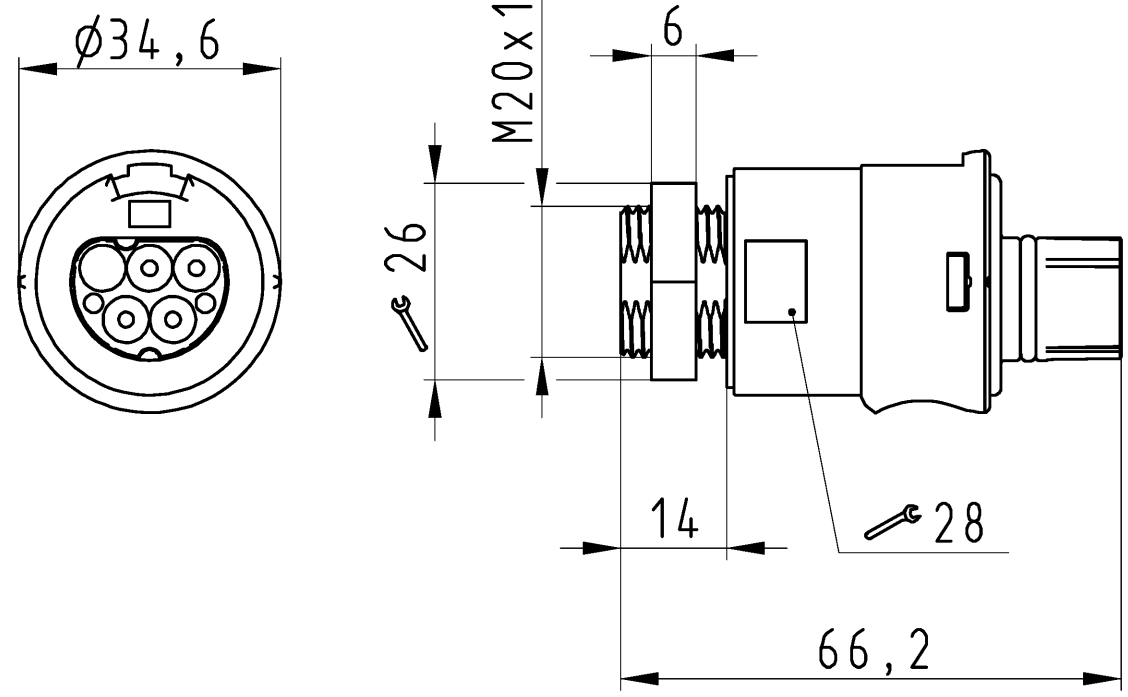
Product compliance

ROHS conformity status	compliant with exceptions
ROHS exceptions	III-6(c)
REACH-SVHC conformity status	Declaration required
REACH-SVHC substances	Lead
REACH-SVHC CAS numbers	7439-92-1

Fits with

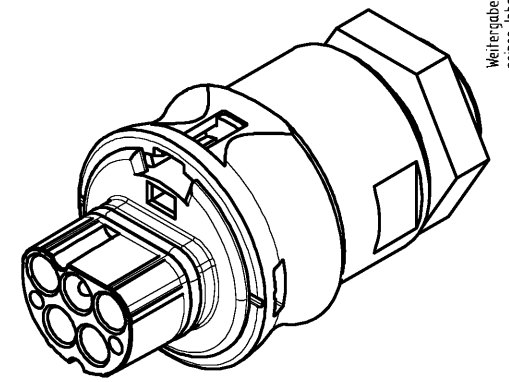
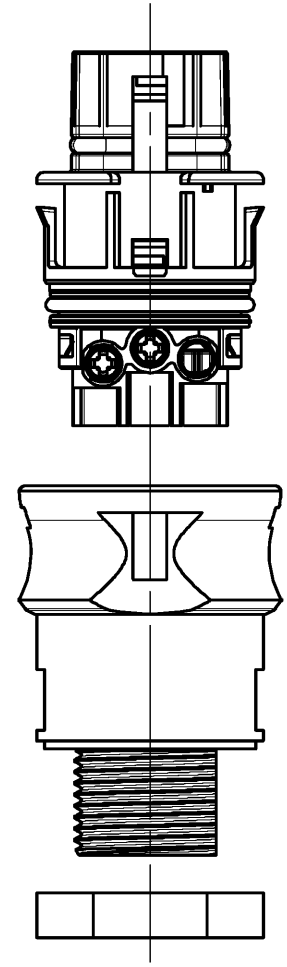
Commercial Art.No.:	Article-type description:	Description:
96.041.4053.1	Connector RST20I4S B1 ZR1 SW	RST 20i5/4 connector, 4 pole, female, screw connection, application 250/400V with PE, 20A, for cable diameters 6-10mm, coding color black, color of housing black
96.041.4153.1	Connector RST20I4S B1 ZR2 SW	RST 20i5/4 connector, 4 pole, female, screw connection, application 250/400V with PE, 20A, for cable diameters 10-14mm, coding color black, color of housing black
96.041.4553.1	Connector RST20I4S B1 ZR3 SW	RST 20i5/4 connector, 4 pole, female, screw connection, application 250/400V with PE, 20A, for cable diameters 13-18mm, coding color black, color of housing black
96.043.4053.1	Connector RST20I4S B1 YR1 SW	RST 20i5/4 connector (90° angled), 4 pole, female, screw connection, application 250/400V with PE, 20A, for cable diameters 6-10mm, coding color black, color of housing black

96.043.4153.1	Connector RST20I4S B1 YR2 SW	RST 20i5/4 connector (90° angled), 4 pole, female, screw connection, application 250/400V with PE, 20A, for cable diameters 10-14mm, coding color black, color of housing black
96.041.4253.1	Connector RST20I4S B1 ZRX SW	RST 20i5/4 splitter connector, 4 pole, female, screw connection, application 250/400V with PE, 20A, for cable diameters 6-10mm, coding color black, color of housing black
96.041.4353.1	Connector RST20I4S B1 ZRY SW	RST 20i5/4 splitter connector, 4 pole, female, screw connection, application 250/400V with PE, 20A, for cable diameters 10-14mm, coding color black, color of housing black



Öffnungsmassbild siehe 96.031.2053.1 14K
 opening dimension see 96.031.2053.1 14K

Auslieferungszustand
 delivery status



Verpackungseinheit: je 100 Stück
 packaging unit: per 100

96.042.6053.1	RST2014S S1 M00V SW	schwarz /black
96.042.6053.0	RST2014S S1 M00V GL	lichtgrau /light grey
Bestellnummer /Order number	Typ /Type	Farbe /color
Weitere Daten siehe KATALOG oder eKatalog. Additional data see CATALOG or eCatalog.		www.wieland-electric.com eshop.wieland-electric.com

Tolerierung Size ISO 14405(®)/Tolerance system Size ISO 14405(®). (This ISO-standard describes the envelope principle. According to the envelope principle the deviations of form and parallelism are limited by the size tolerances).		ja/yes <input checked="" type="checkbox"/> Stoffverbots- und Deklarationsliste nach WN 5020.010 ist einzuhalten. Conformity with Wieland document WN 5020.010 e (list of prohibited / declarable hazardous substances) to be declared!	
Freitoleranz nach General tolerance		CAD - Zeichnung, keine manuellen Änderungen CAD - drawing, no manual modifications allowed	1.Verwendung: - First Use:
Blatt: 1 von 1 Sheet: of 1		Zeichnung Nr./Drawing No.	
/		Werkstoff/Material	2015 Tag/Date Name
/		Maßstab/Scale	gezeichnet drawn 15.07. Nagengast F.
/ 1:1			geprüft checked - -
/ Vol. mm³		Ofl./Surf. mm²	Normgepr. Stand. check - -
/		Ersatz für/Replacement for: -	
/		Type	Benennung/Title
/		STECKERTEIL male connector	
Index	Datum / Blatt Date / Sheet	wieland www.wieland-electric.com	
Änderung/Revision			

These dimensions will be especially checked at delivery
 Only inspection dimensions
 With /E marked dimensions are only valid for internal use
 Diese Maße werden bei Abnahme besonders geprüft
 Ausschließlich Prüfmaße
 Mit /E gekennzeichnete Maße sind nur für interne Zwecke gültig

Weitergabe sowie Vervielfältigung dieses Dokuments, Verwertung und Mitteilung
 seines Inhalts sind verboten, soweit nicht ausdrücklich gestattet.
 The reproduction, distribution and utilization of this document as well as the
 communication of its contents to others without express authorization is prohibited.