

Data sheet

Art.No.: 96.052.4153.1

Connector RST20I5S S1 ZR2 V SW

RST 20I5 connector, 5 pole, male, screw connection, application 250/400V with PE, 20A, for cable diameters 10-14mm, coding color black, color of housing black



Art.No.	96.052.4153.1
EAN	4015573862142
Order Unit	1

Certificates / Approvals



Technical data

General

Rated current	20 A
Rated voltage	250 V / 400 V
Rated impulse voltage	4 kV
strain relief	Yes
Pollution degree	3
Lockable	self-locking (unlocking by tool)
Color of coding/ contact carrier	black
Marking of poles	1, 2, 3, N, PE
Color of housing inclusive strain relief	black

Connection Data

Cable diameter max.	14 mm
Cable diameter min.	10 mm
Connection cross section solid mm ² max.	4 mm ²
Connection cross section solid mm ² min.	0.75 mm ²
Connection cross section fine stranded mm ² max.	4 mm ²
Connection cross section fine stranded mm ² min.	0.75 mm ²
Terminations per pole	1
Connection cross section stranded mm ² min.	0.75 mm ²
Connection cross section stranded mm ² max.	4 mm ²
sheath strip length	26.5 mm
Wire strip length	8 mm

Model

Model	male
Connection type	Screw connection

Degree of protection (IP)	IP66/68 (3m;2h) /IP69
---------------------------	-----------------------

Material

Housing material	Polyamide
halogen free	Yes
Contact material	CuZn
Fire load	0.284 kWh
Insulation components continuous temperature	100 °C
Surface finish	Silver-plated

Dimensions

Length	78.4 mm
Width	34.6 mm
Height	34.6 mm

Classification

ECLASS 8.1	27440605
ETIM 7.0	EC002560
ETIM 6.0	EC002560
ETIM 5.0	EC002560
ETIM 4.0	EC002560

Note

Note	RST® terminals with screw clamping allow the connection of conductors without special preparation (without ferrules) according to EN 60999-1.
------	---

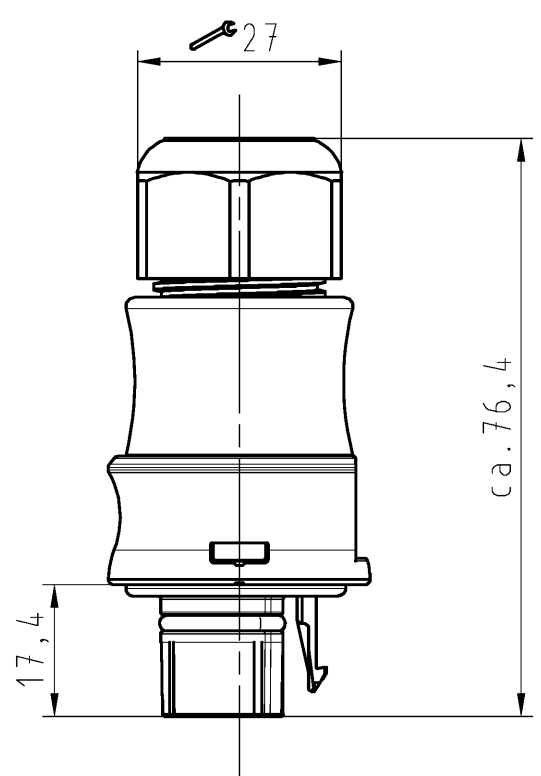
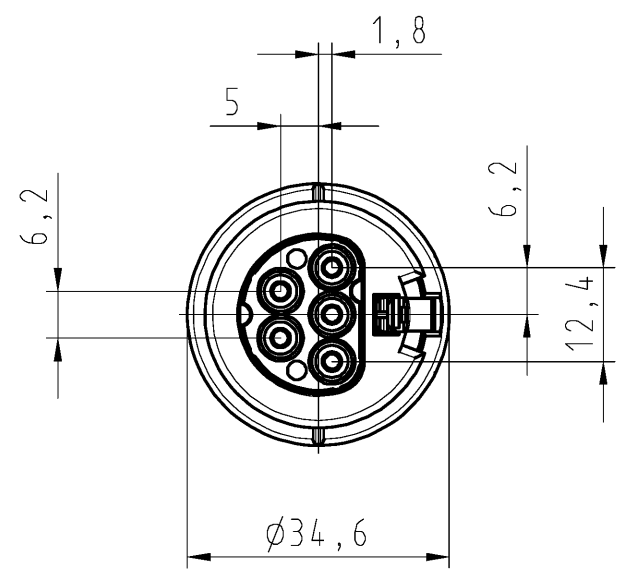
Fits with

Art.No.:	Article/type description:	Description:
96.050.0153.1	Distributor RST20i5B 3P1 F VG SW	RST20i5 compact distribution unit, 5 pole, application 250/400V with PE, 20A, 1 input and 3 outputs, with fastening option, coding color black, color of housing black
96.051.4153.1	Connector RST20i5S B1 ZR2 SW	RST 20i5 connector, 5 pole, female, screw connection, application 250/400V with PE, 20A, for cable diameters 10-14mm, coding color black, color of housing black
96.053.4153.1	Connector RST20i5S B1 YR2 SW	RST 20i5 connector (90° angled), 5 pole, female, screw connection, application 250/400V with PE, 20A, for cable diameters 10-14mm, coding color black, color of housing black
96.051.5053.1	Device connector RST20i5S B1 M01 SW	RST20i5 device connector M25, 5 pole, female, screw connection, application 250/400V with PE, 20A, coding color black
96.051.6153.1	Device connector RST20i5S B1 M03 SW	RST20i5 device connector M16, 5 pole, female, screw connection, modular, application 250/400V with PE, 20A, coding color black, color of housing black
96.051.6053.1	Device connector RST20i5S B1 M00 SW	RST20i5 device connector M20, 5 pole, female, screw connection, modular, application 250/400V with PE, 20A, coding color black, color of housing black
96.053.6053.1	Device connector RST20i5S B1 M90 SW	RST20i5 device connector (90° angled) M20, 5 pole, female, screw connection, modular, application 250/400V with PE, 20A, coding color black, color of housing black

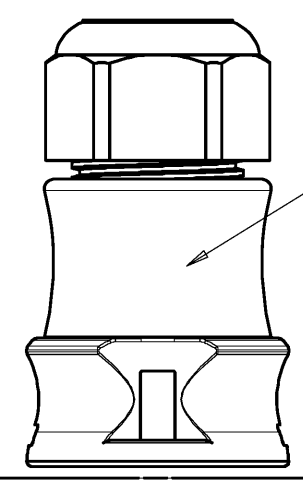
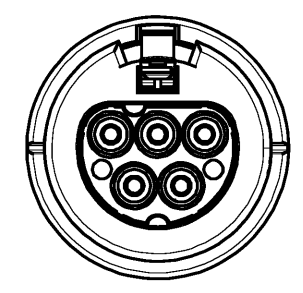
96.053.6253.1	Device connector RST20i5S B1 M91 SW	RST20i5 device connector (90° angled) M25, 5 pole, female, screw connection, modular, application 250/400V with PE, 20A, coding color black, color of housing black
96.055.6153.1	Device connector RST20i5S B1 M13 SW	RST20i5 device connector (7° angled) M16, 5 pole, female, screw connection, modular, application 250/400V with PE, 20A, coding color black, color of housing black

These dimensions will be especially checked at delivery
Only inspection dimensions
With /E marked dimensions are only valid for internal use

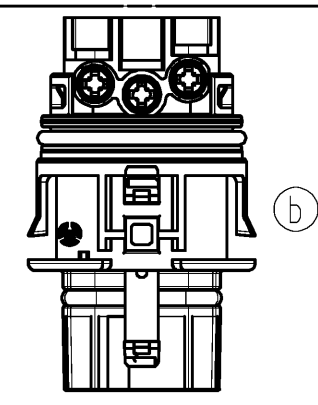
Diese Maße werden bei Abnahme besonders geprüft
Ausschließlich Prüfmaße
Mit /E gekennzeichnete Maße sind nur für interne Zwecke gültig



Auslieferungszustand

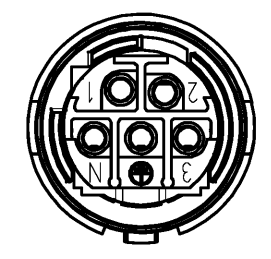


for cable diameter 10-14mm
für Kabeldurchm. 10-14mm

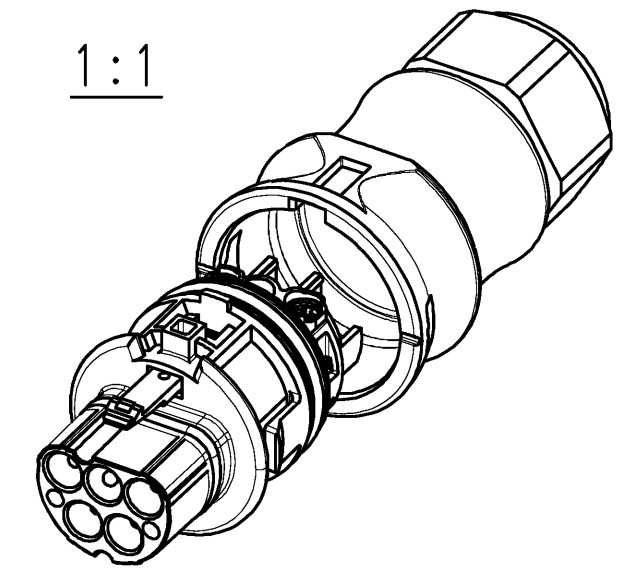


Verpackungseinheit: je 100 Stück
packaging unit: per 100

A-A



1:1



Weitergabe sowie Vervielfältigung dieses Dokuments, Verwertung und Mitteilung seines Inhalts sind verboten, soweit nicht ausdrücklich gestattet. Die Reproduktion, Distribution und Utilization of this document as well as the communication of its contents to others without express authorization is prohibited.

Tolerierung Size ISO 14405 (E) / Tolerance system Size ISO 14405 (E).
(This ISO-standard describes the envelope principle. According to the envelope principle the deviations of form and parallelism are limited by the size tolerances).

nein/no Stoffverbots- und Deklarationsliste nach WN 5020.010 ist einzuhalten.
Conformity with Wieland document WN 5020.010 e (list of prohibited / declarable hazardous substances) to be declared!

Freitoleranz nach General tolerance CAD - Zeichnung, keine manuellen Änderungen CAD - drawing, no manual modifications allowed 1. Verwendung: First Use: Blatt: 1 von 1 Sheet: of 1

Teile-Nr./ part-nr.	Farbe:/ color:	Type
96.052.4153.1	schwarz, ähnl. RAL 9005/ black, similar to RAL 9005	RST2015S S1 ZR2 V SW
96.052.4153.0	lichtgrau, ähnl. RAL 7035/ lightgrey, similar to RAL 7035	RST2015S S1 ZR2 V GL

Werkstoff/Material	2005 Tag/Date	Name	Zeichnung Nr./Drawing No.	Index
Maßstab/Scale	24.08.	Kneitz		
Vol. mm ³ Of l./Surf. mm ²	gezeichnet drawn		T 96.052.4153.0 01K b	Maße in mm/Dimensions are in mm
	geprüft checked			
	Normgepr. Stand. check			
b 12.04.2016/ a 02.12.2005/ Index Datum / Blatt Date / Sheet	Ersatz für/Replacement for: -		Benennung/Title	
Änderung/Revision	www.wieland-electric.com		STECKERTE IL MIT ZUGENTLASTUNG	
	siehe Tabelle		male connector with cord grip Schraubanschluß ohne Drahtschutz/screw-connection without wire protection Standardkodierung 0/standard-keying 0 (250V/400V/20A)	