

Data sheet

Commercial Art.No.: R1.100.0323.0

Magnet switch set SMA 0323

safety switch and magnet, manipulation safe, round-shaped design, dimensions diameter x length: M30x32mm, normally open / normally open contact, protection category: IP67, cable length: 3m



Commercial Art.No.	R1.100.0323.0
EAN	4049088014598
Order Unit	1

Certificates / Approvals



Technical data

General

Suited for safety functions	yes
Housing material	Plastic
Number of protected contact energized outputs	2
Type of electric connection	Cable
Cable length	3 m
Construction type housing	Cuboid
Protected switch distance OFF	20 mm
Cross-/short circuit identification possible	yes
Degree of protection (IP)	IP67
Type of actuation	Magnet

Output circuit

Max. output current at protected output	200 mA
Min. output current	5 mA
Min. rated supply voltage at DC	5 V
Max. rated supply voltage at DC	48 V

Other

Voltage type	DC
Number of protected semiconductor outputs	0
Type of switch output	Other

Dimensions

Diameter sensor	30 mm
Length of sensor	32 mm

Classification

ECLASS 11	
ECLASS 8.1	27270105
ETIM 7.0	EC002544

ETIM 6.0	EC002544
ETIM 5.0	EC002544
ETIM 4.0	EC002544

Safety parameters

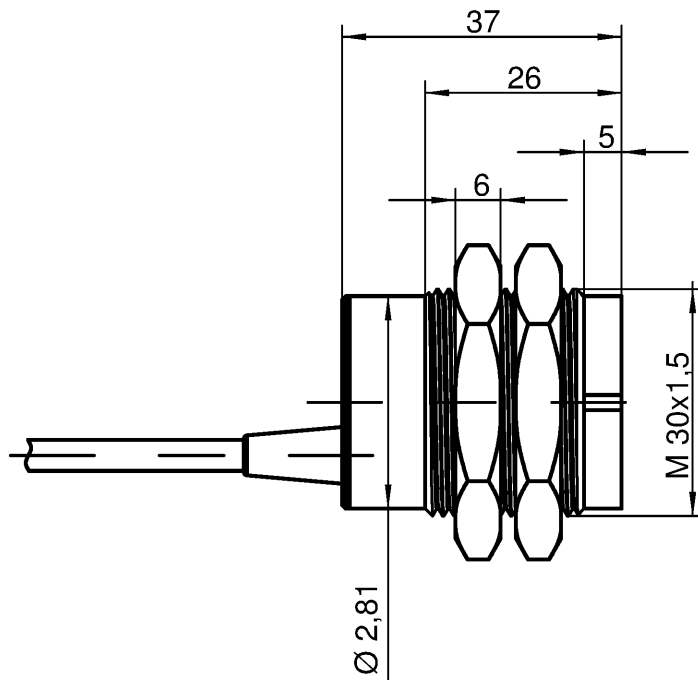
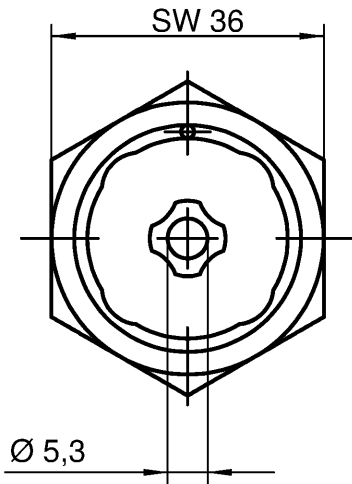
Category (ISO 13849-1)	4
PL (ISO 13849-1)	Level e
SIL _{Cl} (IEC 62061)	3
HFT	1
T _M	20 a

Product compliance

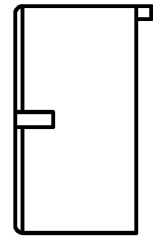
REACH-SVHC conformity status	Compliant
------------------------------	-----------

Accessories

Commercial Art.No.:	Article-type description:	Description:
R1.100.5004.0	Connection cable M8 SMA 5004	M8 cable female, 4-pole, end cut off, cable length: 5m
R1.100.5005.0	Connection cable M8 SMA 5005	M8 cable female, 4-pole, end cut off, cable length: 10m



Magnet /
magnet



Weitergabe sowie Vervielfältigung dieses Dokuments, Verwertung und Mitteilung seines Inhalts sind verboten, soweit nicht ausdrücklich gestattet. Die Reproduktion, Distribution und Utilization of this document as well as the communication of its contents to others without express authorization is prohibited.



Qu - PEE 12/92



Ⓐ	Teile-Nr. / Part-No.
	R1.100.0313.0
	R1.100.0320.0
	R1.100.0323.0
	R1.100.0323.9
	R1.100.0324.0

Weitere Angaben siehe KATALOG oder eKatalog.
Additional data see CATALOG or eCatalog.

www.wieland-electric.com
eshop.wieland-electric.com

ja/yes Stoffverbots- und Deklarationsliste nach WN 5020.010 ist einzuhalten.
Conformity with Wieland document WN 5020.010 e (list of prohibited / declarable hazardous substances) to be declared!

Freitoleranz nach General tolerance		CAD-Zeichnung, keine manuellen Änderungen CAD-Drawing, no manual modifications allowed			1. Verwendung: First Use:		Blatt: Sheet:		
		Werkstoff/ Material		2015	Tag/ Date	Name		Zeichnung Nr./ Drawing No.	
		Maßstab/Scale		gezeichnet drawn	26.05.	Kötzner		T R1.100.0313.0 01K	
				geprüft checked				Maße in mm/Dimensions are in mm	
		Datei/ File: 028701_A01K.DCD		Normgepr. Stand. check		Ersatz für/ Replacement for:			
Ⓐ		11.04.16		Type		Benennung/ Title		Teilespezifikation / Component specification	
Index		Datum/ Blatt Date/ Sheet		www.wieland-electric.com				SMA Magnetschalter rund / Machine safety switch, round	
Änderung/ Revision									

A
1
2
3
4
5
6
7
8
9
10
11
12
13
14
15
16
17
18
19
20
M1
M2
M3
L
G
i
11.1
12.1
1.1