

ENSTO

FPT2215FE416.4

Fire protection junction box

Code	FPT2215FE416.4
GTIN	6438100180850
ENumber	
Name	Fire protection junction box Ensto Vulcano 220 x 150 mm, FE, tapping terminals 4 x 2,5-16 mm ² , E90
Description	Fire protection junction boxes are designed and manufactured to maintain functionality for 30-90 minutes in a case of fire.
Vendor	Ensto Finland Oy



Technical specification

Technical specification

Content:	Enclosure base, cover, cover screw with gasket and cage nuts, screw anchors for wall/ceiling mounting
-----------------	---

Dimensions

Conductor cross-section:	16 mm ²
Size:	220 x 150 x 95 mm

Temperatures

Ambient temperature :	-25 °C...+40 °C, +35°C (24 h)
------------------------------	--------------------------------

Electrical values

Nominal insulation voltage:	750 V
Nominal current A:	76 A

Materials

Base:	Mild steel, polyester painted
Cover:	Mild steel, polyester painted
Cover screws:	Steel
Gasket:	Polyurethane

Colors

Color:	Orange
Color code:	RAL2003

Mechanical

Impact strength:	IK10
-------------------------	------

Certificates

Standards:	EN 60670-1
-------------------	------------

Ratings

Degree of protection:	IP65
Fire resistance class:	E30-E90
ETIM class:	EC002600

ETIM

ETIM

Width:	220 mm
Colour:	Orange
Material:	Steel
Length:	150 mm
Depth:	95 mm
Degree of protection (IP):	IP65
Mounting method:	Wall-/ceiling mounting
Surface protection:	Untreated
Halogen free:	true
Cover model:	Blind cover
Max. conductor cross section:	16 mm ²
Equipped with:	Support rail
Shape:	Rectangular
For tubediameter:	Other
Inlet from the rear:	false
Number of inlets:	10
Type of housing feed-through:	Seal membrane
Cover:	Not transparent
Cover attachment:	Screwed
Sealable:	false
Rated insulation voltage Ui:	750 V
Circuit integrity:	E 90
For Ex-zone gas:	None
For Ex-Zone dust:	None
Operation temperature:	-25 ... 40 °C
Castable:	false
Casting compound included:	false
Weatherproof:	true
With screening:	false

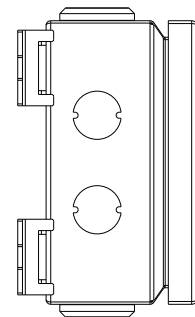
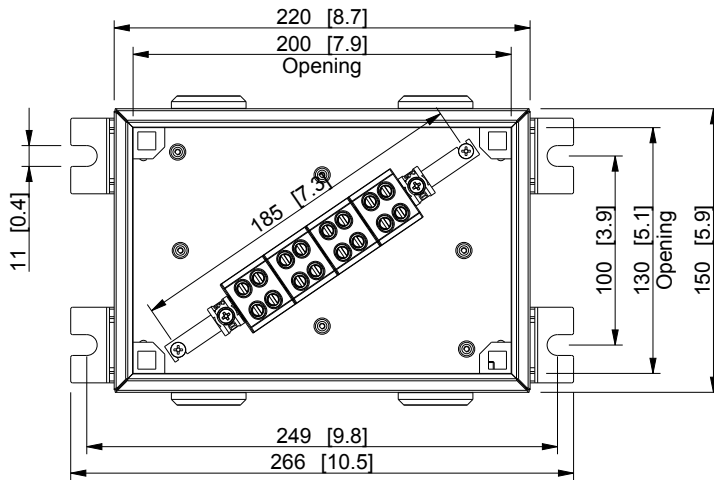
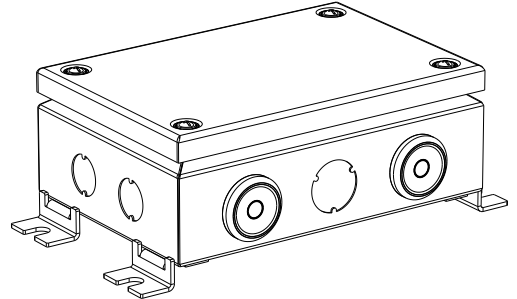
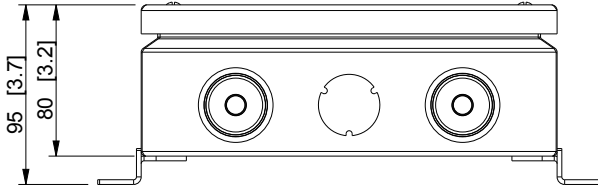
Tackable:	false
Explosion-tested version:	false

Packaging

Default package


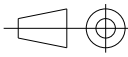
Unit:	PCS
Size:	1
Length:	315 mm
Width:	165 mm
Height:	140 mm
Weight (brt):	2.231 kg
Volume:	7.28

ID	Description	Date	By	Appr.
A		01.03.15	PKos	



Dimensions in mm [inches]

model **FPT2215FE416_4** PART
drawing **PROCUS_FPT2215FE** DRAWING

Material: Mild steel, polyester painted		Color: RAL2003	Weight (kg): 2.374
 ENSTO Ensto Finland Oy Ensto Industrial Solutions			220x150mm, Fe, 4xKR16.4
Scale	Date	Drw No: A	
1:4	By PKos	Ref: FPT	
-	Checked	Code: FPT2215FE416_4	
-	Ctrl	Sheet No:	
Fire safety box			