

# ENSTO

## FPT2222FE416.4

### Fire protection junction box

Code	FPT2222FE416.4
GTIN	6438100180874
ENumber	
Name	Fire protection junction box Ensto Vulcano 220 x 220 mm, FE, tapping terminals 4 x 2,5-16 mm <sup>2</sup> , E90
Description	Fire protection junction boxes are designed and manufactured to maintain functionality for 30-90 minutes in a case of fire.
Vendor	Ensto Finland Oy



## Technical specification

### Technical specification

<b>Content:</b>	Enclosure base, cover, cover screw with gasket and cage nuts, screw anchors for wall/ceiling mounting
-----------------	---

### Dimensions

<b>Conductor cross-section:</b>	16 mm <sup>2</sup>
<b>Size:</b>	220 x 220 x 115 mm

### Temperatures

<b>Ambient temperature :</b>	-25 °C...+40 °C, +35°C ( 24 h)
------------------------------	--------------------------------

### Electrical values

<b>Nominal insulation voltage:</b>	750 V
<b>Nominal current A:</b>	76 A

### Materials

<b>Base:</b>	Mild steel, polyester painted
<b>Cover:</b>	Mild steel, polyester painted
<b>Cover screws:</b>	Steel
<b>Gasket:</b>	Polyurethane

## Colors

<b>Color:</b>	Orange
<b>Color code:</b>	RAL2003

## Mechanical

<b>Impact strength:</b>	IK10
-------------------------	------

## Certificates

<b>Standards:</b>	EN 60670-1
-------------------	------------

## Ratings

<b>Degree of protection:</b>	IP65
<b>Fire resistance class:</b>	E30-E90
<b>ETIM class:</b>	EC002600

## ETIM

---

### ETIM

<b>Width:</b>	220 mm
<b>Colour:</b>	Orange
<b>Material:</b>	Steel
<b>Length:</b>	220 mm
<b>Depth:</b>	115 mm
<b>Degree of protection (IP):</b>	IP65
<b>Mounting method:</b>	Wall-/ceiling mounting
<b>Surface protection:</b>	Untreated
<b>Halogen free:</b>	true
<b>Cover model:</b>	Blind cover
<b>Max. conductor cross section:</b>	16 mm <sup>2</sup>
<b>Equipped with:</b>	Support rail
<b>Shape:</b>	Rectangular
<b>For tubediameter:</b>	Other
<b>Inlet from the rear:</b>	false
<b>Number of inlets:</b>	12
<b>Type of housing feed-through:</b>	Seal membrane
<b>Cover:</b>	Not transparent
<b>Cover attachment:</b>	Screwed
<b>Sealable:</b>	false
<b>Rated insulation voltage Ui:</b>	750 V
<b>Circuit integrity:</b>	E 90
<b>For Ex-zone gas:</b>	None
<b>For Ex-Zone dust:</b>	None
<b>Operation temperature:</b>	-25 ... 40 °C
<b>Castable:</b>	false
<b>Casting compound included:</b>	false
<b>Weatherproof:</b>	true
<b>With screening:</b>	false

<b>Tackable:</b>	false
<b>Explosion-tested version:</b>	false

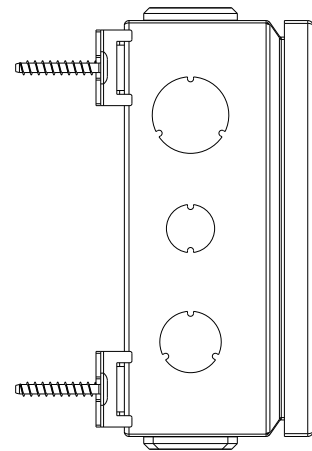
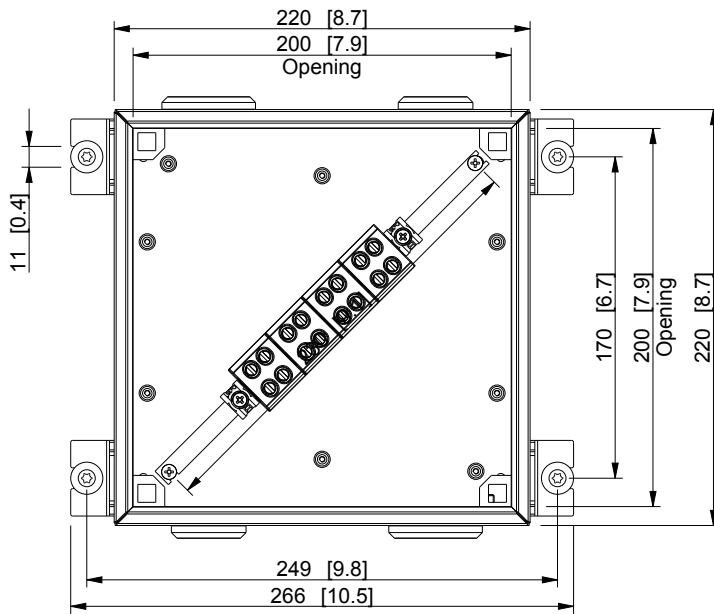
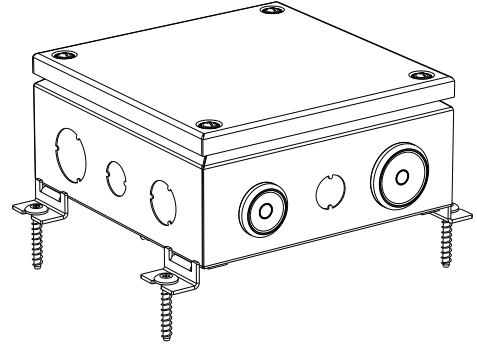
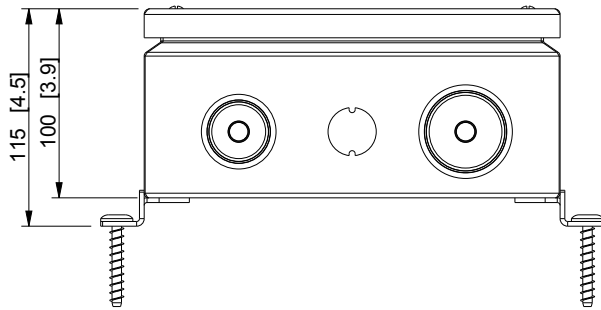
## Packaging

---


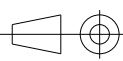
### Default package

<b>Unit:</b>	PCS
<b>Size:</b>	1
<b>Length:</b>	305 mm
<b>Width:</b>	305 mm
<b>Height:</b>	210 mm
<b>Weight (brt):</b>	3.234 kg
<b>Volume:</b>	19.5353

ID	Description	Date	By	Appr.
A		01.03.15	PKos	
B	Dimensions updated	28.12.15	TK	



Dimensions in mm [inches]

model drawing FPT2222FE416_4_PART PROCUS_FPT2222FE_DRAWING	Material: Mild steel, polyester painted		Color: RAL2003	Weight (kg): 3.221	
	 Ensto Finland Oy Ensto Industrial Solutions			220x220mm, Fe, 4xKR16.4  <b>Fire safety box</b>	
					Replaces:
	Scale	Date	27.02.15		Drw No: B
	1:4	By	PKos		Ref: FPT
	-	Checked			Code: FPT2222FE416_4
	-	Ctrl			Sheet No: