



Product designation				Switch disconnecter
Product type designation				GL
Number of poles	nr.			3
Operating voltage type				AC
<b>Contact characteristics</b>				
IEC Conventional free air thermal current I <sub>th</sub>	A			160
Rated insulation voltage U <sub>i</sub> IEC/EN	V			1000
Rated impulse withstand voltage U <sub>imp</sub>	kV			12
Operating current I <sub>e</sub>				
AC21A	400V	A	160	
	500V	A	160	
	690V	A	160	
AC22A	400V	A	160	
	500V	A	160	
	690V	A	160	
AC23A	400V	A	160	
	500V	A	160	
	690V	A	160	
Power dissipation per pole max	W			3.2
Rated operational power AC23A	400V	kW	90	
	690V	kW	134	
Reactive power for control of capacitors at	400V	kvar	80	
Rated short time current (1s) I <sub>cw</sub> (rms)			kA	8
Conditional short-circuit current (rms)			kA	100
Short-circuit protection with fuse			Class/A	gG/160
Making capacity AC23A 400V			A	1600
Breaking capacity AC23A 400V			A	1280
Mechanical life			cycles	20000
<b>Mechanical features</b>				
Operating position	normal			Vertical plan
	allowable			Any
Fixing				Screw / DIN rail 35mm
Terminals	type			M8 x 25
Tightening torque for terminals	min	Nm	15	
	max	Nm	22	

min	Ibin	132
max	Ibin	194

Conductor section

IEC min	mm <sup>2</sup>	70
IEC max	mm <sup>2</sup>	185
AWG/kcmil min		00
AWG/kcmil max		400

Ambient conditions

Operating temperature

min	°C	-25
max	°C	+55

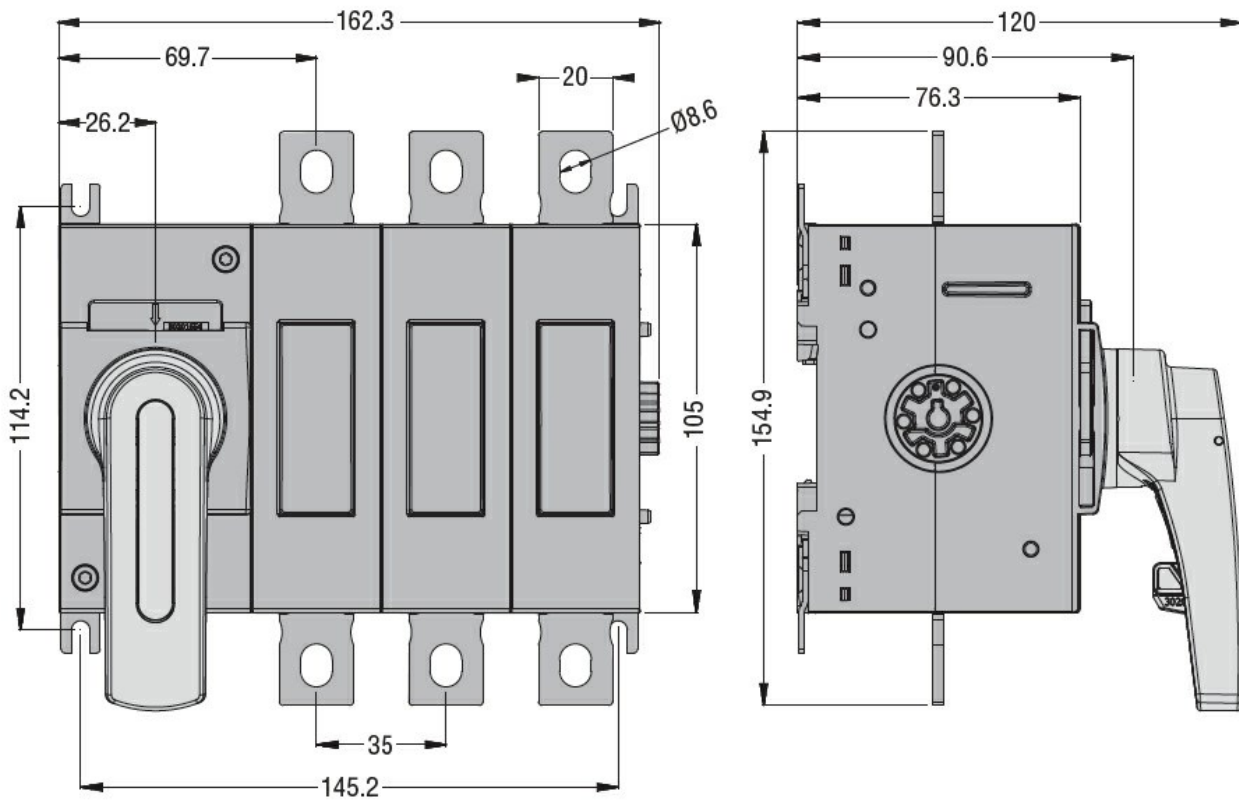
Storage temperature

min	°C	-40
max	°C	+70

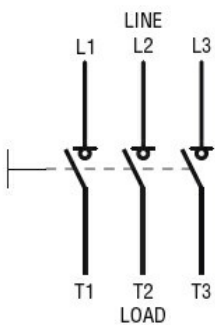
Max altitude

m	3000
---	------

Dimensions



Wiring diagrams



Certifications and compliance

Compliance

IEC/EN 60947-1  
IEC/EN 60947-3

---

Certifications

EAC

**ETIM classification**

ETIM 8.0

EC000216 -  
Switch  
disconnector