

## Data sheet

Commercial Art.No.: 41.021.3043.1

Connector RST08i3/2S B1 ZR1 H SW

RST08i3/2 connector, 2 pole, female, screw connection, application 250V/400V, 8A, for cable diameters 4-7mm, coding color black, color of housing black



Commercial Art.No.	41.021.3043.1
EAN	4049088481789
Order Unit	1

Certificates / Approvals



LR

RINA



## Technical data

### General

Rated current	8 A
Rated voltage	250 V / 400 V
Rated impulse voltage	2.5 kV
strain relief	yes
Pollution degree	3
Lockable	self-locking (unlocking by hand)
Color of coding/ contact carrier	black
Marking of poles	1, 2/N
Color of housing inclusive strain relief	black

### Connection Data

Cable diameter max.	7 mm
Cable diameter min.	4 mm
Connection cross section solid mm <sup>2</sup> max.	1 mm <sup>2</sup>
Connection cross section solid mm <sup>2</sup> min.	0.2 mm <sup>2</sup>
Connection cross section fine stranded mm <sup>2</sup> max.	1 mm <sup>2</sup>
Connection cross section fine stranded mm <sup>2</sup> min.	0.22 mm <sup>2</sup>
Terminations per pole	1
sheath strip length	18 mm
Wire strip length	6 mm

### Model

Model	female
Connection type	screw connection

Degree of protection (IP)	IP66/68 (3m;2h) /IP69
---------------------------	-----------------------

#### Material

Housing material	Polyamide
halogen free	yes
Contact material	CuZn
Fire load	0 kWh
Insulation components continuous temperature	100 °C
Surface finish	Silver-plated
UL classification housing	UL-V0
UL classification strain relief	UL-V0

#### Dimensions

Length	42.5 mm
Width	14.9 mm
Height	14.9 mm

#### Classification

ECLASS 11	
ECLASS 8.1	27440605
ETIM 7.0	EC002560
ETIM 6.0	EC002560
ETIM 5.0	EC002560
ETIM 4.0	EC002560

#### Note

Note	RST® terminals with screw clamping allow the connection of conductors without special preparation (without ferrules) according to EN 60999-1.
------	---

#### Product compliance

ROHS conformity status	Compliant/Exempted
ROHS exceptions	III-6(c)
REACH-SVHC conformity status	Duty-To-Declare
REACH-SVHC substances	Lead
REACH-SVHC CAS numbers	7439-92-1

#### Accessories

Commercial Art.No.:	Article-type description:	Description:
06.563.5053.1	Cover for female connector SW	RST08i3/2 cover piece, for covering unused female connectors, with fastening belt, color black
06.502.6100.0	allen key RST MICRO SW 0,9	Pin wrench for screw terminals RST® MICRO
06.502.6300.0	screwdriver RST MICRO SW 0,9	Hexagonal wrench for screw terminals RST® MICRO

#### Fits with

Commercial Art.No.:	Article-type description:	Description:
---------------------	---------------------------	--------------

41.022.3043.1	Connector RST08i3/2S S1 ZR1 H SW	RST08i3/2 connector, 2 pole, male, screw connection, application 250V/400V, 8A, for cable diameters 4-7mm, coding color black, color of housing black
4L.022.3043.1	Connector RST08i3/2S 21 ZR1 H SW	RST08i3/2 connector with longitudinal sealing, 2 pole, male, screw connection, application 250V/400V, 8A, for cable diameters 4-7mm, coding color black, color of housing black
41.022.4043.1	Device connector RST08i3/2S S1 M02H SW	RST08i3/2 device connector M14, 2 pole, male, screw connection, application 250V/400V, 8A, coding color black
4L.022.4043.1	Device connector RST08i3/2S 21 M02H SW	RST08i3/2 device connector M14 with longitudinal sealing, 2 pole, male, screw connection, application 250V/400V, 8A, coding color black
4L.020.0143.1	Distributor RST08i2VL3P1HF V SW	RST08i3/2 distribution block for parallel connections, with longitudinal sealing, 2 pole, application 250V/400V, 8A, 1 input and 3 outputs, coding color black, color of housing black
4L.020.1143.1	Distributor RST08i2VL2P1YF V SW	RST08i3/2 distribution block for parallel connections, with longitudinal sealing, 2 pole, application 250V/400V, 8A, 1 input and 2 outputs, coding color black, color of housing black

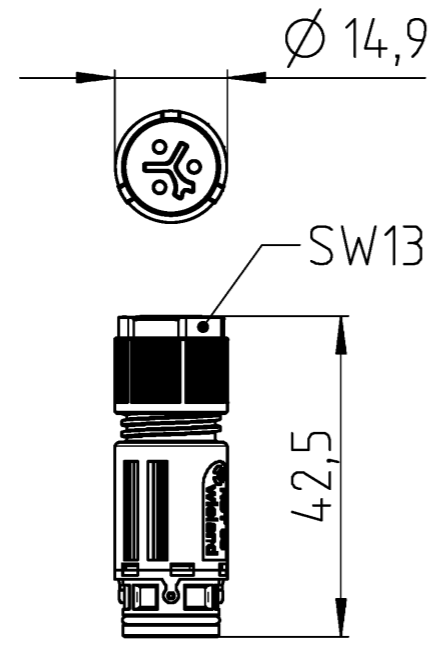
A  
 Weitergabe sowie Vervielfältigung dieses Dokuments, Verwertung und Mitteilung seines Inhalts sind verboten, soweit nicht ausdrücklich gestattet.  
 The reproduction, distribution and utilization of this document as well as the communication of its contents to others without express authorization is prohibited.

B  
 These dimensions will be especially checked at delivery  
 Only inspection dimensions  
 With /E marked dimensions are only valid for internal use

C  
 Diese Maße werden bei Abnahme besonders geprüft  
 Ausschließlich Prüfmäße  
 Mit /E gekennzeichnete Maße sind nur für interne Zwecke gültig

D  
 F  
 Änderung / Revision

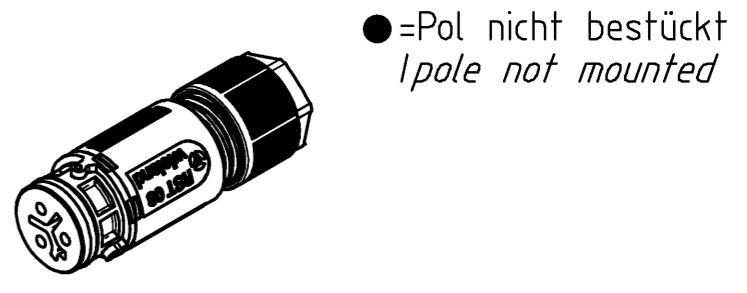
Gezeichnete Ausführung/drawn version  
 41.031.3053.1



Auslieferungszustand/  
 delivery status



Teile-Nr. /part-no.	Type	Kodierung / coding
41.031.3053.1	RST08i3 S B1 ZR1 H SW	C1
4L.031.3053.1	RST08i3 S 11 ZR1 H SW	
41.031.3043.9	RST08i3 S B1 ZR1SH BL	C2
4L.031.3043.9	RST08i3 S 11 ZR1SH BL	
41.031.3041.4	RST08i3 S B1 ZR1SHL SG	C3
4L.031.3041.4	RST08i3 S 11 ZR1SHL SG	
41.031.3051.8	RST08i3 S B1 ZR1SHL KG	C4
4L.031.3051.8	RST08i3 S 11 ZR1SHL KG	
41.021.3043.1	RST08i3/2S B1 ZR1 H SW	C1
4L.021.3043.1	RST08i3/2S 11 ZR1 H SW	
41.021.3043.9	RST08i3/2S B1 ZR1SH BL	C2
4L.021.3043.9	RST08i3/2S 11 ZR1SH BL	
41.021.3041.4	RST08i3/2S B1 ZR1SHL SG	C3
4L.021.3041.4	RST08i3/2S 11 ZR1SHL SG	
41.021.3041.8	RST08i3/2S B1 ZR1SHL KG	C4
4L.021.3041.8	RST08i3/2S 11 ZR1SHL KG	



Weitere Daten siehe KATALOG oder eKatalog  
 additional data see CATALOG or eCATALOG  
[www.wieland-electric.com](http://www.wieland-electric.com)  
[eshop.wieland-electric.com](http://eshop.wieland-electric.com)

Tolerierung Size ISO 14405 © / Tolerance system Size ISO 14405 ©. (This ISO-standard describes the envelope principle. According to the envelope principle the deviations of form and parallelism are limited by the size tolerances).		ja/yes <input checked="" type="checkbox"/> Stoffverbots- und Deklarationsliste nach WN 5020.010 ist einzuhalten. Conformity with Wieland document WN 5020.010 e (list of prohibited / declarable hazardous substances) to be declared!	
Freitoleranz nach General tolerance	CAD - Zeichnung, keine manuellen Änderungen CAD - drawing, no manual modifications allowed	1 Verwendung: First Use:	Blatt: Sheet: 1 von 1 of 1
/	Werkstoff / Material	Tag/Date	Name
/		gezeichnet drawn 22.02.2018	Hollet
/	Maßstab / Scale	geprüft checked	
/	1:1	Normgepr. Stand. check	
/	Vol. mm <sup>3</sup> Dfl./Srf. mm <sup>2</sup>	Ersatz für / Replacement for:	
/		Type	Benennung/Title
a	12.03.2020 /	<b>wieland</b> RSTmicro	<b>BUCHSENTEIL_FA_ZE</b>
Index	Datum / Blatt Date / Sheet	<a href="http://www.wieland-electric.com">www.wieland-electric.com</a>	female with strain relief
Zeichnung Nr. / Drawing No. <b>41.031.3053.1 13K</b> Index <b>a</b>			
Maße in mm / Dimensions are in mm			