

Data sheet

Commercial Art.No.: 46.031.5053.1

Device connector RST16i3 S B1 M02 SW

RST16i3 device connector M16, 3 pole, female, screw connection, application 250V with PE, 16A, coding color black



Commercial Art.No.	46.031.5053.1
EAN	4049088279805
Order Unit	1

Certificates / Approvals



Technical data

General

Rated current	16 A
Rated voltage	250 V
Pollution degree	3
Rated impulse voltage	4 kV
Lockable	self-locking (unlocking by hand)
Color of coding/ contact carrier	black
Marking of poles	L, N, PE

Connection Data

Connection cross section solid mm ² max.	2.5 mm ²
Connection cross section solid mm ² min.	0.25 mm ²
Connection cross section fine stranded mm ² max.	1.5 mm ²
Connection cross section fine stranded mm ² min.	0.25 mm ²
Terminations per pole	1
Wire strip length	8 mm
Connection cross section stranded mm ² min.	0.25 mm ²
Connection cross section stranded mm ² max.	1.5 mm ²

Model

Model	female
Connection type	screw connection
Connecting thread metric	M16
Angle of plug	straight
Degree of protection (IP)	IP66/68 (3m;2h) /IP69

Thickness of housings (electrical device) 2	0.5 mm
Thickness of housings (electrical device)	5 mm

Material

Housing material	Polyamide
halogen free	yes
Contact material	CuZn
Fire load	0.06 kWh
Insulation components continuous temperature	100 °C
Surface finish	Silver-plated

Dimensions

Length	41.9 mm
Width	19.9 mm
Height	19.9 mm

Classification

ECLASS 11	
ECLASS 8.1	27440602
ETIM 7.0	EC002566
ETIM 6.0	EC002566
ETIM 5.0	EC002566
ETIM 4.0	EC002566

Note

Note	RST® terminals with screw clamping allow the connection of conductors without special preparation (without ferrules) according to EN 60999-1.; Positioning realised with flattened thread
------	---

Product compliance

ROHS conformity status	Compliant/Exempted
ROHS exceptions	III-6(c)
REACH-SVHC conformity status	Duty-To-Declare
REACH-SVHC substances	Lead
REACH-SVHC CAS numbers	7439-92-1

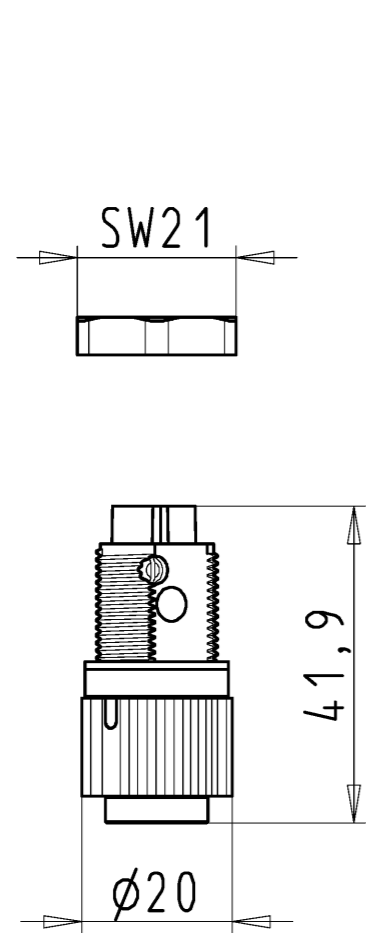
Fits with

Commercial Art.No.:	Article-type description:	Description:
46.032.4553.1	Connector RST16i3 S S1 ZT4 SW	RST16i3 connector, 3 pole, male, screw connection, application 250V with PE, 16A, for cable diameters 5.0-9.5mm, coding color black, color of housing black
46.032.4453.1	Connector RST16i3 S S1 ZT3 SW	RST16i3 connector, 3 pole, male, screw connection, application 250V with PE, 16A, for cable diameters 7.1-13mm, coding color black, color of housing black

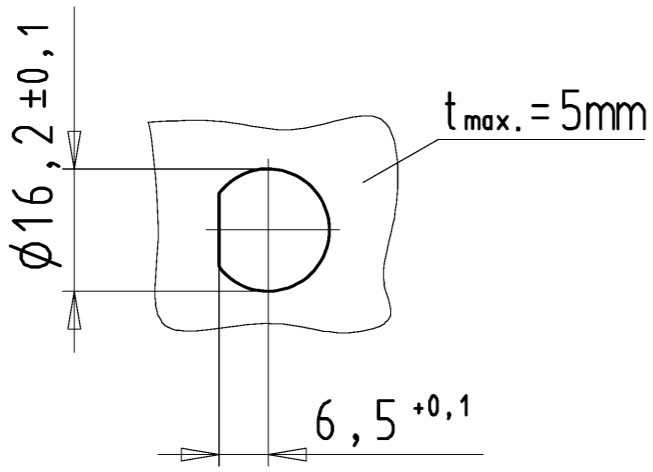
These dimensions will be especially checked at delivery
Only inspection dimensions
With /E marked dimensions are only valid for internal use

Diese Maße werden bei Abnahme besonders geprüft
Ausschließlich Prüfmaße
Mit /E gekennzeichnete Maße sind nur für interne Zwecke gültig

Kodierung /Coding

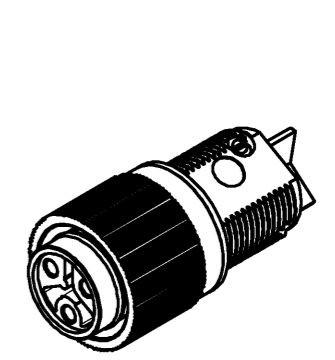
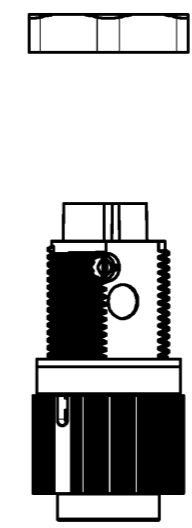


- C1
- C2
- C3
- C4
- C5



Gehäuseausschnitt /section of housing

Auslieferungszustand /delivery condition



Weitergabe sowie Vervielfältigung dieses Dokuments, Verwertung und Mitteilung seines Inhalts sind verboten, soweit nicht ausdrücklich gestattet. Die Reproduktion, Distribution und Nutzung dieses Dokuments ist ohne schriftliche Genehmigung der Wieland-Werke AG ist untersagt.

46.031.5050.6	RST1613 S B1 M02 TB	C5	türkisblau /turquoise blue
46.031.5053.9	RST1613 S B1 M02 H BL	C4	lichtblau /light blue
46.031.5050.4	RST1613 S B1 M02 L BR	C3	signalbraun /signal brown
46.031.5055.7	RST1613 S B1 M02 GN	C2	laubgrün /leaf green
46.031.5053.1	RST1613 S B1 M02 SW	C1	schwarz /black
46.031.5053.0	RST1613 S B1 M02 GL	C1	lichtgrau /light grey

Bestellnummer /Order number	Typ /Type	Kodierung /Coding	Farbe /Colour
-----------------------------	-----------	-------------------	---------------

Weitere Daten siehe KATALOG oder eKatalog. Additional data see CATALOG or eCatalog. www.wieland-electric.com eshop.wieland-electric.com

Tolerierung Size ISO 14405/Tolerance system Size ISO 14405. [This ISO-standard describes the envelope principle. According to the envelope principle the deviations of form and parallelism are limited by the size tolerances]. ja/yes Stoffverbots- und Deklarationsliste nach UU-TQM-05/03 ist einzuhalten. Conformity with Wieland document UU-TQM-05/03 (list of prohibited / declarable hazardous substances) to be declared!

Freitoleranz nach General tolerance	CAD - Zeichnung, keine manuellen Änderungen CAD - drawing, no manual modifications allowed	1.Verwendung: First Use: -	Blatt: 1 von 1 Sheet: of 1
Werkstoff/Material	2014 Tag/Date Name gezeichnet/drawn 04.07. Treschan geprüft/checked - - Normgepr. Stand. check - -	Zeichnung Nr./Drawing No. 46.031.5053.0 13K a	
Maßstab/Scale 1:1	Maße in mm/Dimensions are in mm		
Vol. mm ³ OfI./Surf. mm ²	Ersatz für/Replacement for: -		
a 06.10.2014/ Index Datum / Blatt Date / Sheet	wieland www.wieland-electric.com	Type RST1613	Benennung/Title BUCHSENTE IL Geräteanschluss, 3-polig female connector, device connection, 3 poles
Änderung/Revision			