

Data sheet

Art.No.: 70.330.2435.0

Bottom BAS GUT GB 24 M25 A0

revos BASIC size 24 closed-bottom base with 2 cable glands M25, double locking lever



Art.No.	70.330.2435.0
EAN	4015573618671
Order Unit	1

Certificates / Approvals



Technical data

General

Housing material	Aluminium
Color	Grey
Surface	With powder coating
Degree of protection (IP)	IP54
UV resistant	Yes
Inflammability class of insulation material acc. with UL94	Other
Operating temperature range min.	-40 °C
Operating temperature range max.	120 °C

Model

Construction	24
Model	Surface mounting (base)
Locking mechanism	Double locking levers
Cable entry	Two-sided
Type of cable	Gland nut
With cable screw gland	Yes
Thread size M	25
Thread size PG	
Hinged lid	No
EMC-version	No
Length	144 mm
Width	57 mm
Height	57 mm

Classification

ECLASS 8.1	27440202
ETIM 7.0	EC000437
ETIM 6.0	EC000437

ETIM 5.0	EC000437
ETIM 4.0	EC000437
ETIM 3.0	EC000437

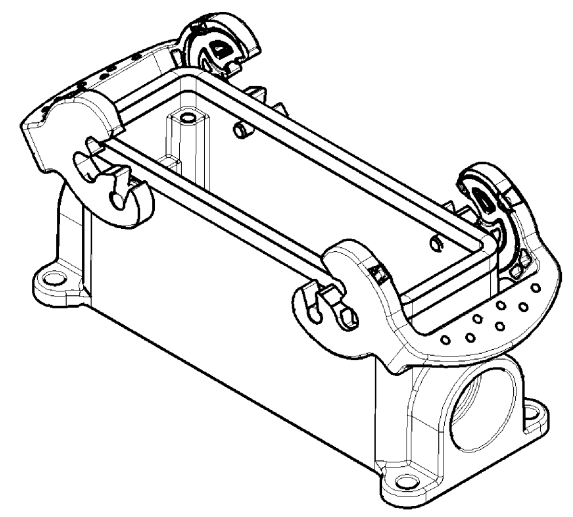
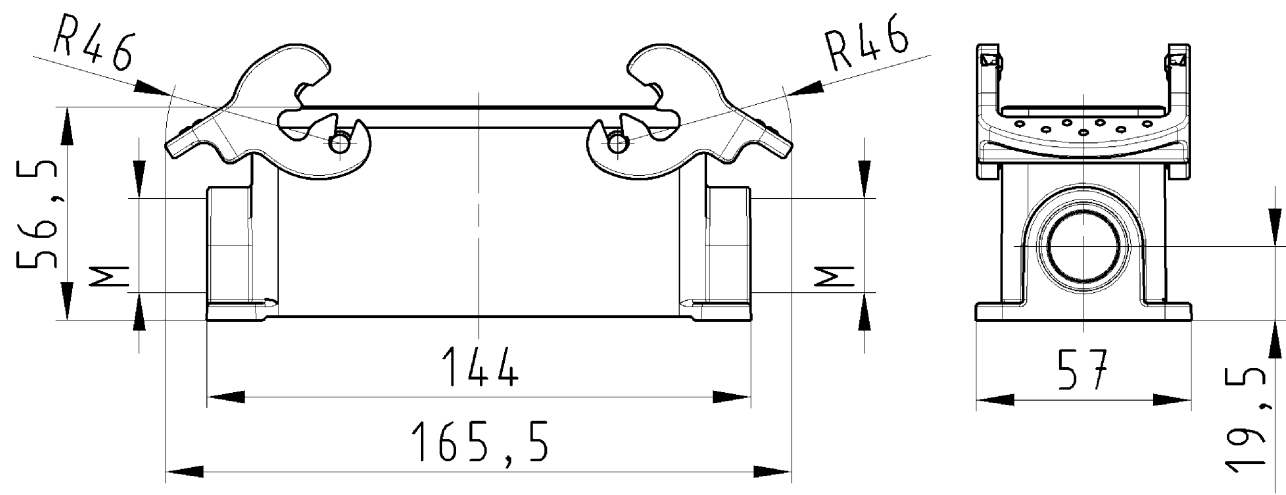
Fits with

Art.No.:	Article/type description:	Description:
70.350.2435.0	Hood BAS GOT GA 24 M25 A0	revos BASIC size 24 hood with cable gland M25, lateral cable entry, double locking lever
70.350.2435.1	Hood BAS GOT GA 24 M25 A1	revos BASIC size 24 hood with threaded collar M25, lateral cable entry, double locking lever
70.350.2435.2	Hood BAS GOT GA 24 M25 A2	revos BASIC size 24 hood with intermediate support M25, lateral cable entry, double locking lever
70.352.2435.0	Hood BAS GOT GC 24 M25 A0	revos BASIC size 24 hood with cable gland M25, top cable entry, double locking lever
70.352.2435.1	Hood BAS GOT GC 24 M25 A1	revos BASIC size 24 hood with threaded collar M25, top cable entry, double locking lever
70.352.2435.2	Hood BAS GOT GC 24 M25 A2	revos BASIC size 24 hood with intermediate support M25, top cable entry, double locking lever
70.353.2435.0	Hood BAS GOT GA 24 M32 A0	revos BASIC size 24 hood with cable gland M32, lateral cable entry, double locking lever
70.353.2435.1	Hood BAS GOT GA 24 M32 A1	revos BASIC size 24 hood with threaded collar M32, lateral cable entry, double locking lever
70.353.2435.2	Hood BAS GOT GA 24 M32 A2	revos BASIC size 24 hood with intermediate support M32, lateral cable entry, double locking lever
70.354.2435.0	Hood BAS GOT GC 24 M32 A0	revos BASIC size 24 hood with cable gland M32, top cable entry, double locking lever
70.354.2435.1	Hood BAS GOT GC 24 M32 A1	revos BASIC size 24 hood with threaded collar M32, top cable entry, double locking lever
70.354.2435.2	Hood BAS GOT GC 24 M32 A2	revos BASIC size 24 hood with intermediate support M32, top cable entry, double locking lever
73.350.6435.0	Hood BAS GOT GA 24HM25 50 A0	revos BASIC size 24H hood with cable gland M25, lateral cable entry, high design, double locking lever
73.350.6435.1	Hood BAS GOT GA 24HM25 50 A1	revos BASIC size 24H hood with threaded collar M25, lateral cable entry, high design, double locking lever
73.350.6435.2	Hood BAS GOT GA 24HM25 50 A2	revos BASIC size 24H hood with intermediate support M25, lateral cable entry, high design, double locking lever
73.351.2435.0	Hood BAS GOT GB 24H M25 A0	
73.351.2435.1	Hood BAS GOT GB 24H M25 A1	
73.351.2435.3	Hood BAS GOT GB 24H M25 A3	
73.352.6435.0	Hood BAS GOT GC 24HM25 50 A0	revos BASIC size 24H hood with cable gland M25, top cable entry, high design, double locking lever
73.352.6435.1	Hood BAS GOT GC 24HM25 50 A1	revos BASIC size 24H hood with threaded collar M25, top cable entry, high design, double locking lever
73.353.6435.0	Hood BAS GOT GA 24HM32 50 A0	revos BASIC size 24H hood with cable gland M32, lateral cable entry, high design, double locking lever
73.353.6435.1	Hood BAS GOT GA 24H M32 A1	revos BASIC size 24H hood with threaded collar M32, lateral cable entry, high design, double locking lever
73.353.6435.2	Hood BAS GOT GA 24HM32 50 A2	revos BASIC size 24H hood with intermediate support M32, lateral cable entry, high design, double locking lever
73.354.6435.0	Hood BAS GOT GC 24HM32 50 A0	revos BASIC size 24H hood with cable gland M32, top cable entry, high design, double locking lever
73.354.6435.1	Hood BAS GOT GC 24HM32 50 A1	revos BASIC size 24H hood with threaded collar M32, top cable entry, high design, double locking lever

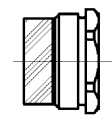
73.360.6435.1	Hood BAS GOT GA 24HM40 50 A1	revos BASIC 500V size 24H hood with threaded collar M40, lateral cable entry, high design, double locking lever
73.362.6435.1	Hood BAS GOT GC 24HM40 50 A1	revos BASIC 500V size 24H hood with threaded collar M40, top cable entry, high design, double locking lever

These dimensions will be especially checked at delivery
 Only inspection dimensions
 With ±-marked dimensions are only valid for internal use

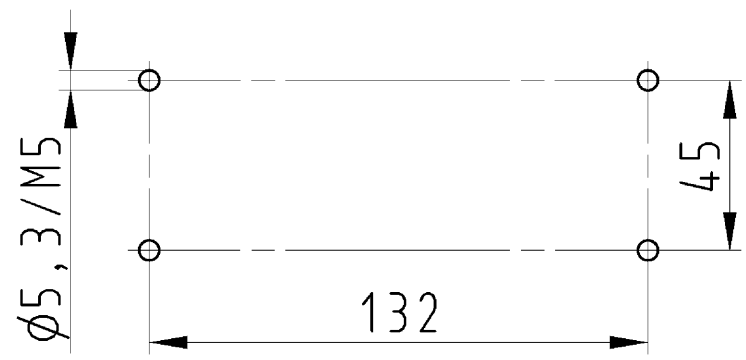
Diese Maße werden bei Abnahme besonders geprüft
 Ausschließlich Prüfmaße
 Mit ±-gekennzeichnete Maße sind nur für interne Zwecke gültig



Varianten/Variants
 .0



70.330.2435.1	BAS GUT GB 24 M25 A 1	Gewindebohrung /Thread hole	X
70.330.2435.0	BAS GUT GB 24 M25 A 0	Kabelverschraubung(KV), IP54 montiert /Cable gland(CG), IP54 assembled	
Bestellnummer /Order number	Typ /Type	Varianten /Variants	dar- gestellt /drawed
Weitere Daten siehe KATALOG oder eKatalog. Additional data see CATALOG or eCatalog.		www.wieland-electric.com eshop.wieland-electric.com	



Bohrbild
/Cut out

Tolerierung Size ISO 14405 (M) / Tolerance system Size ISO 14405 (M). (This ISO-standard describes the envelope principle. According to the envelope principle the deviations of form and parallelism are limited by the size tolerances).		ja/yes <input checked="" type="checkbox"/> Stoffverbots- und Deklarationsliste nach UU-TOM-05/03 ist einzuhalten. Conformity with Wieland document UU-TOM-05/03 (list of prohibited / declarable hazardous substances) to be declared!	
Freitoleranz nach General tolerance		CAD - Zeichnung, keine manuellen Änderungen CAD - drawing, no manual modifications allowed	1. Verwendung: - First Use:
Blatt: 1 von 1 Sheet: of 1		Zeichnung Nr./Drawing No. Index	
/		Werkstoff/Material Aluminium beschichtet/coated grau/grey	2013 Tag/Date Name gezeichnet/drawn 03.05. Treschan geprüft/checked - - Normgepr. Stand. check - -
/		Maßstab/Scale 1:2	T 70.330.2435.0 13K
/		Vol. mm³ Ofl./Surf. mm²	Ersatz für/Replacement for: -
/		wieland Elektrische Verbindungen	Type revos BASIC
/		Index Datum / Blatt Date / Sheet	Benennung/Titel GEHAEUSEUNTERTEIL Baugröße 24-Kabelabgang 2x M25 Housing size 24-cable outlet 2x M25
/		Änderung/Revision	Maße in mm/Dimensions are in mm

Weitergabe sowie Vervielfältigung dieses Dokuments, Verwertung und Mitteilung seines Inhalts sind verboten, soweit nicht ausdrücklich gestattet.
 The reproduction, distribution and utilization of this document as well as the communication of its contents to others without express authorization is prohibited.

703302435013K_2 CADW3028 Treschan 2013-09-20T11:21:36 1.000