

## Data sheet

Art.No.: 70.350.1635.0

Hood BAS GOT GA 16 M25 A0

revos BASIC size 16 hood with cable gland M25, lateral cable entry, double locking lever



|            |               |
|------------|---------------|
| Art.No.    | 70.350.1635.0 |
| EAN        | 4015573617803 |
| Order Unit | 1             |

Certificates / Approvals



## Technical data

### General

|  |                     |
|--|---------------------|
| Housing material   | Aluminium           |
| Color  | Grey                |
| Surface  | With powder coating |
| Degree of protection (IP)                                  | IP54                |
| UV resistant   | Yes                 |
| Inflammability class of insulation material acc. with UL94 | Other               |
| Operating temperature range min.                           | -40 °C              |
| Operating temperature range max.                           | 120 °C              |

### Model

|                        |                       |
|------------------------|-----------------------|
| Construction           | 16                    |
| Model                  | male                  |
| Locking mechanism      | Double locking levers |
| Cable entry            | Sideways              |
| Type of cable          | Gland nut             |
| With cable screw gland | Yes                   |
| Thread size M          | 25                    |
| Thread size PG         |                       |
| Hinged lid             | No                    |
| EMC-version            | No                    |
| Length                 | 94 mm                 |
| Width                  | 56 mm                 |
| Height                 | 60 mm                 |

### Classification

|            |          |
|------------|----------|
| ECLASS 8.1 | 27440202 |
|------------|----------|

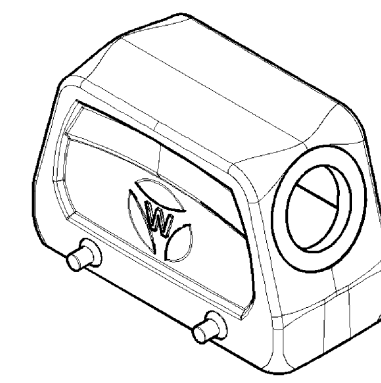
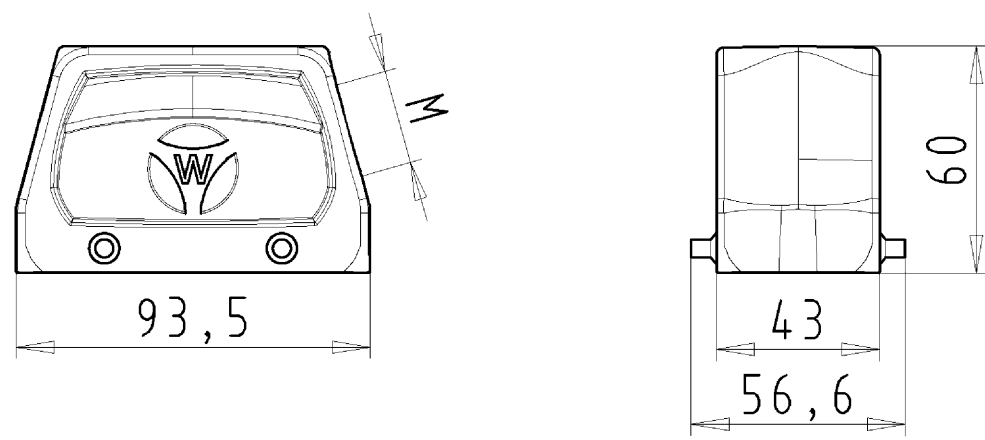
|          |          |
|----------|----------|
| ETIM 7.0 | EC000437 |
| ETIM 6.0 | EC000437 |
| ETIM 5.0 | EC000437 |
| ETIM 4.0 | EC000437 |
| ETIM 3.0 | EC000437 |

## Fits with

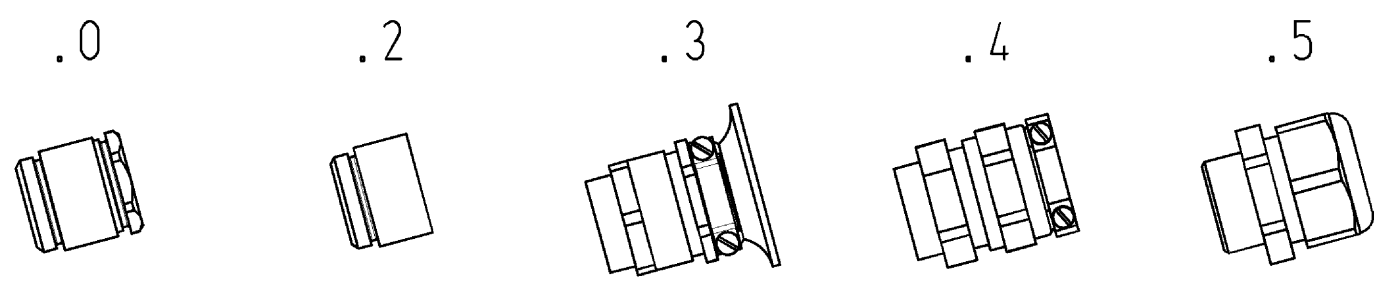
| Art.No.:      | Article/type description:      | Description:  |
|---------------|--------------------------------|---|
| 70.372.1635.0 | Hood BAS GOT GK 16 M25 A0      | revos BASIC size 16 hood for cable-to-cable couplings with cable gland M25, top cable entry, double locking lever     |
| 70.372.1635.1 | Hood BAS GOT GK 16 M25 A1      | revos BASIC size 16 hood for cable-to-cable couplings with threaded collar M25, top cable entry, double locking lever |
| 70.372.1635.3 | Hood BAS GOT GK 16 M25 A3      | revos BASIC size 16 hood for cable-to-cable couplings with stain relief M25, top cable entry, double locking lever    |
| 70.320.1628.0 | Bottom BAS GUT GA 16 A         | revos BASIC size 16 open-bottom base, double locking lever  |
| 70.330.1635.0 | Bottom BAS GUT GB 16 M25 A0    | revos BASIC size 16 closed-bottom base with 2 cable glands M25, double locking lever                                  |
| 70.330.1635.1 | Bottom BAS GUT GB 16 M25 A1    | revos BASIC size 16 closed-bottom base with 2 threaded collars M25, double locking lever                              |
| 70.331.1635.0 | Bottom BAS GUT GC 16 M25 A0    | revos BASIC size 16 closed-bottom base with cable gland M25, left double locking lever                                |
| 70.331.1635.1 | Bottom BAS GUT GC 16 M25 A1    | revos BASIC size 16 closed-bottom base with threaded collar M25, left double locking lever                            |
| 70.333.1635.0 | Bottom BAS GUT GD 16 M25 A0    | revos BASIC size 16 closed-bottom base with cable gland M25, bottom, double locking lever                             |
| 70.333.1635.1 | Bottom BAS GUT GD 16 M25 A1    | revos BASIC size 16 closed-bottom base with threaded collar M25, bottom, double locking lever                         |
| 73.330.4035.0 | Bottom BAS GUT GB 16HM25 50 A0 | revos BASIC size 16H closed-bottom base with 2 cable glands M25, high design, double locking lever                    |
| 73.330.4035.1 | Bottom BAS GUT GB 16HM25 50 A1 | revos BASIC size 16H closed-bottom base with 2 threaded collars M25, high design, double locking lever                |
| 73.331.4035.0 | Bottom BAS GUT GC 16HM25 50 A0 | revos BASIC size 16H closed-bottom base with cable gland M25, left, high design, double locking lever                 |
| 73.331.4035.1 | Bottom BAS GUT GC 16M25 50 A1  | revos BASIC size 16H closed-bottom base with threaded collar M25, left, high design, double locking lever             |
| 73.333.4035.0 | Bottom BAS GUT GD 16HM25 50 A0 | revos BASIC size 16H closed-bottom base with cable gland M25, bottom, high design, double locking lever               |
| 73.333.4035.1 | Bottom BAS GUT GD 16HM25 50 A1 | revos BASIC size 16H closed-bottom base with threaded collar M25, bottom, high design, double locking lever           |
| 73.334.4035.0 | Bottom BAS GUT GB 16HM32 50 A0 | revos BASIC size 16H closed-bottom base with 2 cable glands M32, high design, double locking lever                    |
| 73.334.4035.1 | Bottom BAS GUT GB 16HM32 50 A1 | revos BASIC size 16H closed-bottom base with 2 threaded collars M32, high design, double locking lever                |
| 73.335.4035.0 | Bottom BAS GUT GC 16HM32 50 A0 | revos BASIC size 16H closed-bottom base with cable gland M32, left, high design, double locking lever                 |
| 73.335.4035.1 | Bottom BAS GUT GC 16HM32 50 A1 | revos BASIC size 16H closed-bottom base with threaded collar M32, left, high design, double locking lever             |
| 73.337.4035.0 | Bottom BAS GUT GD 16HM32 50 A0 | revos BASIC size 16H closed-bottom base with cable gland M32, bottom, high design, double locking lever               |
| 73.337.4035.1 | Bottom BAS GUT GD 16HM32 50 A1 | revos BASIC size 16H closed-bottom base with threaded collar M32, bottom, high design, double locking lever           |

These dimensions will be especially checked at delivery  
 Only inspection dimensions  
 With /E marked dimensions are only valid for internal use

Diese Maße werden bei Abnahme besonders geprüft  
 Ausschließlich Prüfmaße  
 Mit /E gekennzeichnete Maße sind nur für interne Zwecke gültig



Varianten/ Variants



|   |               |            |                        |   |                            |
|---|---------------|------------|------------------------|---|----------------------------|
| 70.35 <sup>3</sup> <sub>0</sub> .1635.5 | BAS GOT GA 16 | M32<br>M25 | A 5                    | Kabelverschraubung(KV), IP65<br>/Cable gland(CG), IP65                                      |                            |
| 70.35 <sup>3</sup> <sub>0</sub> .1635.4 | BAS GOT GA 16 | M32<br>M25 | A 4                    | KV mit Zugentlastung, IP54<br>/CG with strain relief, IP54                                  |                            |
| 70.35 <sup>3</sup> <sub>0</sub> .1635.3 | BAS GOT GA 16 | M32<br>M25 | A 3                    | KV mit Zugentlastung und Knickschutz, IP54<br>/CG with strain relief and bend support, IP54 |                            |
| 70.35 <sup>3</sup> <sub>0</sub> .1635.2 | BAS GOT GA 16 | M32<br>M25 | A 2                    | Zwischenstützen<br>/Bushing   |                            |
| 70.35 <sup>3</sup> <sub>0</sub> .1635.1 | BAS GOT GA 16 | M32<br>M25 | A 1                    | Gewindebohrung<br>/Thread hole  | X                          |
| 70.35 <sup>3</sup> <sub>0</sub> .1635.0 | BAS GOT GA 16 | M32<br>M25 | A 0                    | Kabelverschraubung(KV), IP54<br>/Cable gland(CG), IP54                                      |                            |
| Bestellnummer<br>/Order number          | Typ<br>/Type  |            | Varianten<br>/Variants |   | der-<br>gestellt<br>/drawn |

Weitere Daten siehe KATALOG oder eKatalog.  
 Additional data see CATALOG or eCatalog.  
[www.wieland-electric.com](http://www.wieland-electric.com)  
[eshop.wieland-electric.com](http://eshop.wieland-electric.com)

|   |  |   |  |   |  |   |  |
|---|--|---|--|---|--|---|--|
| Tolerierung Size ISO 14405(☐)/Tolerance system Size ISO 14405(☐).<br>(This ISO-standard describes the envelope principle. According to the envelope principle the deviations of form and parallelism are limited by the size tolerances). |  |   |  | ja/yes ☑ Stoffverbots- und Deklarationsliste nach UU-TQM-05/03 ist einzuhalten.<br>Conformity with Wieland document UU-TQM-05/03 (list of prohibited / declarable hazardous substances) to be declared! |  |   |  |
| Freitoleranz nach<br>General tolerance  |  | CAD - Zeichnung, keine manuellen Änderungen<br>CAD - drawing, no manual modifications allowed |  | 1.Verwendung:<br>First Use: -   |  | Blatt: 1 von 1<br>Sheet: of 1   |  |
| /   |  | Werkstoff/Material<br>Aluminium<br>beschichtet/ coated<br>grau/ grey                          |  | 2013 Tag/Date<br>gezeichnet<br>drawn 21.08.<br>Treschan<br>geprüft<br>checked<br>Normgepr.<br>Stand. check  |  | Name<br>Treschan  |  |
| /   |  | Maßstab/Scale<br>1:2  |  | Ersatz für/Replacement for: -   |  | Zeichnung Nr./Drawing No.<br>70.350.1635.0 13K  |  |
| /   |  | Vol. mm <sup>3</sup> Ofl./Surf. mm <sup>2</sup>   |  | Type<br>revos<br>BASIC  |  | Benennung/Tittle<br>GEHAEUSEOBERTE IL<br>Baugröße 16-Kabelabgang seitlich-M25/M32<br>Hood size 16-cable outlet side-M25/M32 |  |
| /   |  | wieland<br>Elektrische<br>Verbindungen  |  | Index<br>Datum / Blatt<br>Date / Sheet  |  | Maße in mm/Dimensions are in mm   |  |
| /   |  | Änderung/Revision   |  | Index   |  | Index   |  |

Weitergabe sowie Vervielfältigung dieses Dokuments, Verwertung und Mitteilung seines Inhalts sind verboten, soweit nicht ausdrücklich gestattet.  
 The reproduction, distribution and utilization of this document as well as the communication of its contents to others without express authorization is prohibited.

703501635013K\_2\_CADW3028\_Treschan 2013-09-201084900 1.000