

Data sheet

Commercial Art.No.: 96.042.5053.1

Device connector RST20i4S S1 M01V SW

RST20i5/4 device connector M25, 4 pole, male, screw connection, application 250/400V with PE, 20A, coding color black



Commercial Art.No.	96.042.5053.1
EAN	4015573863521
Order Unit	1

Certificates / Approvals



LR



Technical data

General

Rated current	20 A
Rated voltage	250 V / 400 V
Pollution degree	3
Rated impulse voltage	4 kV
Lockable	self-locking (unlocking by tool)
Color of coding/ contact carrier	black
Marking of poles	1, 2, 3, PE

Connection Data

Connection cross section solid mm ² max.	4 mm ²
Connection cross section solid mm ² min.	0.75 mm ²
Connection cross section fine stranded mm ² max.	4 mm ²
Connection cross section fine stranded mm ² min.	0.75 mm ²
Terminations per pole	1
Wire strip length	8 mm

Model

Model	male
Connection type	Screw connection
Connecting thread metric	M25
Angle of plug	straight
Degree of protection (IP)	IP66/68 (3m;2h) /IP69
Thickness of housings (electrical device) 2	0.5 mm
Thickness of housings (electrical device)	8 mm

Material

Housing material	Polyamide
halogen free	Yes
Contact material	CuZn
Fire load	0.131 kWh
Insulation components continuous temperature	100 °C
Surface finish	Silver-plated

Dimensions

Length	49.4 mm
Width	35 mm
Height	35 mm

Classification

ECLASS 8.1	27440602
ETIM 7.0	EC002566
ETIM 6.0	EC002566
ETIM 5.0	EC002566
ETIM 4.0	EC002566

Note

Note	RST® terminals with screw clamping allow the connection of conductors without special preparation (without ferrules) according to EN 60999-1.; Positioning realised with flattened thread
------	---

Product compliance

ROHS conformity status	compliant with exceptions
ROHS exceptions	III-6(c)
REACH-SVHC conformity status	Declaration required
REACH-SVHC substances	Lead
REACH-SVHC CAS numbers	7439-92-1

Fits with

Commercial Art.No.:	Article-type description:	Description:
96.041.4053.1	Connector RST20I4S B1 ZR1 SW	RST 20i5/4 connector, 4 pole, female, screw connection, application 250/400V with PE, 20A, for cable diameters 6-10mm, coding color black, color of housing black
96.041.4153.1	Connector RST20I4S B1 ZR2 SW	RST 20i5/4 connector, 4 pole, female, screw connection, application 250/400V with PE, 20A, for cable diameters 10-14mm, coding color black, color of housing black
96.041.4553.1	Connector RST20I4S B1 ZR3 SW	RST 20i5/4 connector, 4 pole, female, screw connection, application 250/400V with PE, 20A, for cable diameters 13-18mm, coding color black, color of housing black
96.043.4053.1	Connector RST20I4S B1 YR1 SW	RST 20i5/4 connector (90° angled), 4 pole, female, screw connection, application 250/400V with PE, 20A, for cable diameters 6-10mm, coding color black, color of housing black
96.043.4153.1	Connector RST20I4S B1 YR2 SW	RST 20i5/4 connector (90° angled), 4 pole, female, screw connection, application 250/400V with PE, 20A, for cable diameters 10-14mm, coding color black, color of housing black

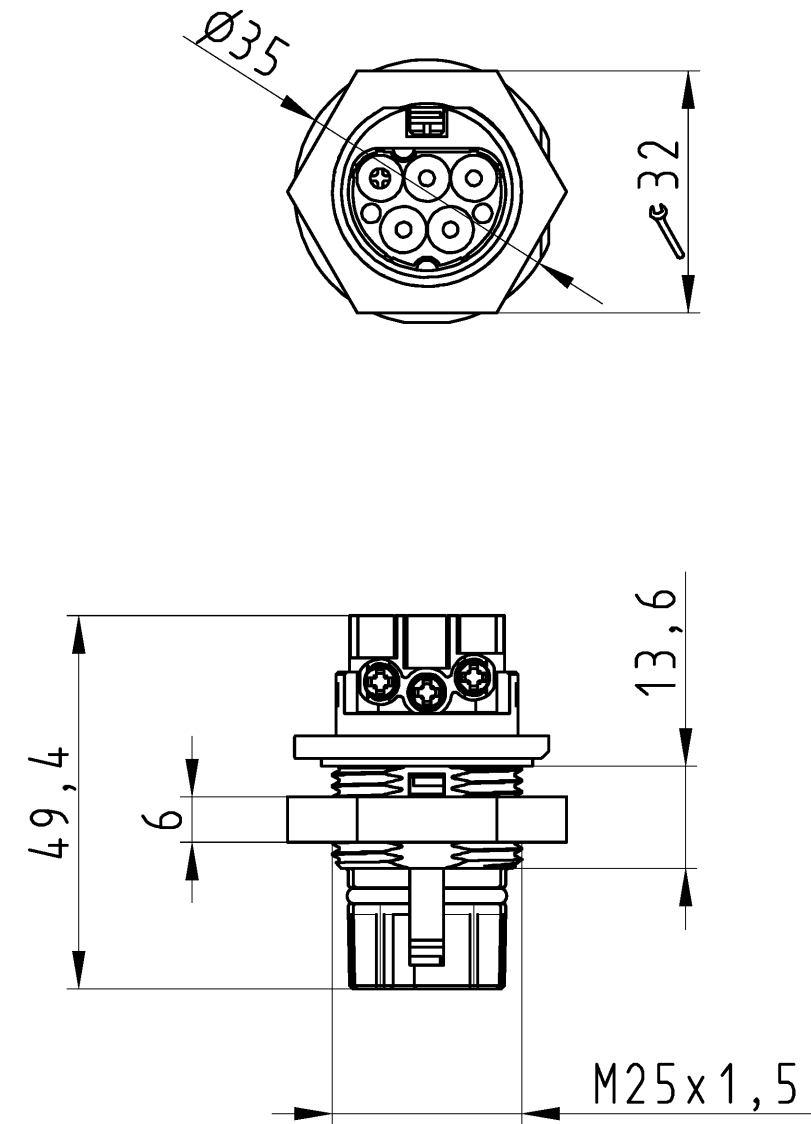
96.041.4253.1	Connector RST20I4S B1 ZRX SW	RST 20i5/4 splitter connector, 4 pole, female, screw connection, application 250/400V with PE, 20A, for cable diameters 6-10mm, coding color black, color of housing black
96.041.4353.1	Connector RST20I4S B1 ZRY SW	RST 20i5/4 splitter connector, 4 pole, female, screw connection, application 250/400V with PE, 20A, for cable diameters 10-14mm, coding color black, color of housing black

These dimensions will be especially checked at delivery
Only inspection dimensions
With /E marked dimensions are only valid for internal use

Diese Maße werden bei Abnahme besonders geprüft
Ausschließlich Prüfmaße
Mit /E gekennzeichnete Maße sind nur für interne Zwecke gültig

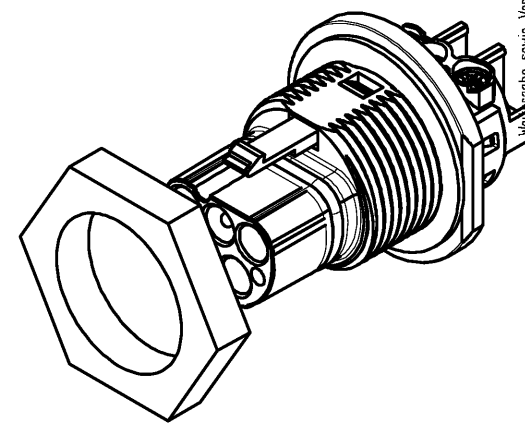
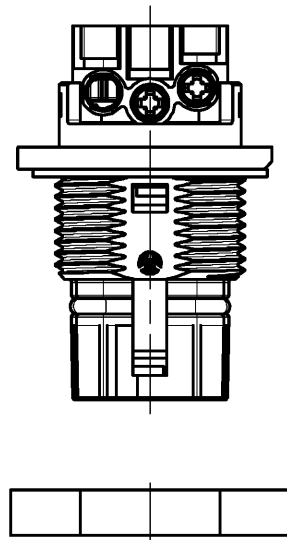
These dimensions will be especially checked at delivery
Only inspection dimensions
With /E marked dimensions are only valid for internal use

These dimensions will be especially checked at delivery
Only inspection dimensions
With /E marked dimensions are only valid for internal use



Öffnungsbild siehe 96.031.1053.1 14K
opening dimension see 96.031.1053.1 14K

Auslieferungszustand
delivery status



Verpackungseinheit: je 100 Stück
packaging unit: per 100

96.042.5053.1	RST2014S S1 M01V SW	schwarz /black
96.042.5053.0	RST2014S S1 M01V GL	lichtgrau /lightgrey
Bestellnummer /Order number	Typ /Type	Farbe /color
Weitere Daten siehe KATALOG oder eKatalog. Additional data see CATALOG or eCatalog.		www.wieland-electric.com eshop.wieland-electric.com

Tolerierung Size ISO 14405(®)/Tolerance system Size ISO 14405(®). (This ISO-standard describes the envelope principle. According to the envelope principle the deviations of form and parallelism are limited by the size tolerances).		ja/yes <input checked="" type="checkbox"/> Stoffverbots- und Deklarationsliste nach WN 5020.010 ist einzuhalten. Conformity with Wieland document WN 5020.010 e (list of prohibited / declarable hazardous substances) to be declared!	
Freitoleranz nach General tolerance		CAD - Zeichnung, keine manuellen Änderungen CAD - drawing, no manual modifications allowed	1.Verwendung: - First Use:
Blatt: 1 von 1 Sheet: of		Zeichnung Nr./Drawing No.	
Index		Date / Blatt Date / Sheet	
Änderung/Revision		Date / Sheet	
Werkstoff/Material		2015 Tag/Date	Name
Maßstab/Scale		gezeichnet drawn	10.07. Nagengast F.
1:1		geprüft checked	-
Vol. mm³		Normgepr. Stand. check	-
Ofl./Surf. mm²		Ersatz für/Replacement for: -	
www.wieland-electric.com		Type	Benennung/Title
www.wieland-electric.com		STECKERTEIL male connector	

Verfügbarkeit dieses Dokuments, Verwertung und Mitteilung
seines Inhalts sind verboten, soweit nicht ausdrücklich gestattet.
The reproduction, distribution and utilization of this document as well as the
communication of its contents to others without express authorization is prohibited.