

ENSTO

FPT1010PP46.4

Fire protection junction box

Code	FPT1010PP46.4
GTIN	6438100180799
ENumber	
Name	Fire protection junction box Ensto Vulcano 100 x 100 mm, PP, tapping terminals 4 x 1,5-6 mm ² , E90
Description	Fire protection junction boxes are designed and manufactured to maintain functionality for 30-90 minutes in a case of fire.
Vendor	Ensto Finland Oy



Technical specification

Technical specification

Content:	Enclosure base, cover, cover screw, cover line, fastening plate, screw anchors for wall/ceiling mounting, terminal rail, terminal rail mounting screws, ceramic terminals, PE terminal(s), rubber grommets
-----------------	--

Dimensions

Conductor cross-section:	1,5-6 mm ²
Size:	100 x 100 x 53.5 mm

Temperatures

Ambient temperature :	-25 °C...+40 °C, +35°C (24 h)
------------------------------	--------------------------------

Electrical values

Nominal insulation voltage:	750 V
Nominal current A:	41 A

Materials

Base:	Polypropylene
Cover:	Polypropylene
Cover screws:	Polycarbonate

Gasket: Polyurethane

Colors

Color: Orange

Color code: RAL2003

Features

Screw head: Slothead

Certificates

Standards: EN 60670-1

Ratings

Degree of protection: IP65

ETIM class: EC002600

ETIM

ETIM

Width: 100 mm

Colour: Orange

Material: Plastic

Length: 100 mm

Depth: 53.5 mm

Degree of protection (IP): IP65

Mounting method: Wall-/ceiling mounting

Surface protection: Untreated

Halogen free: true

Cover model: Blind cover

Max. conductor cross section: 6 mm²

Equipped with: Support rail

Shape: Square

For tubediameter: 25 mm

Inlet from the rear: true

Number of inlets: 10

Type of housing feed-through: Seal membrane

Cover: Not transparent

Cover attachment: Screwed

Sealable: true

Rated insulation voltage Ui: 750 V

Circuit integrity: E 90

For Ex-zone gas: None

For Ex-Zone dust: None

Operation temperature: -25 ... 40 °C

Castable: false

Casting compound included: false

Weatherproof: false

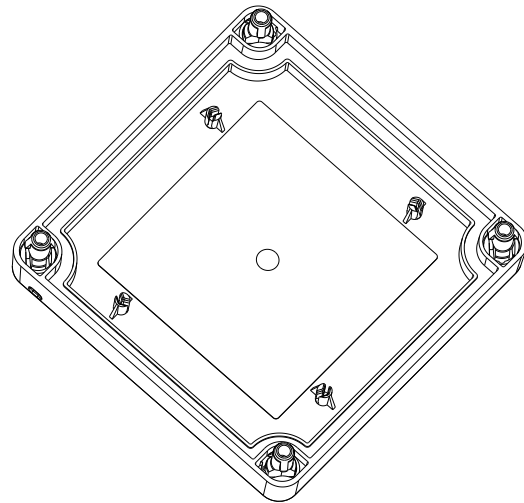
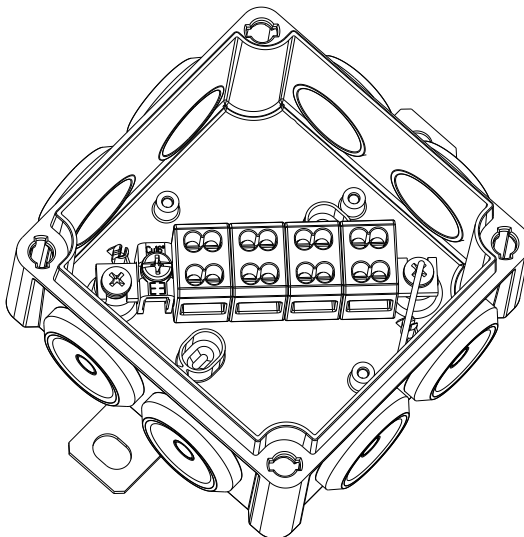
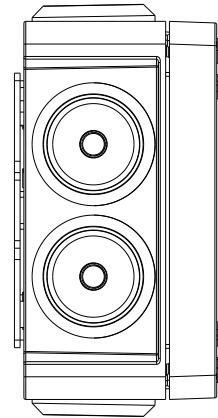
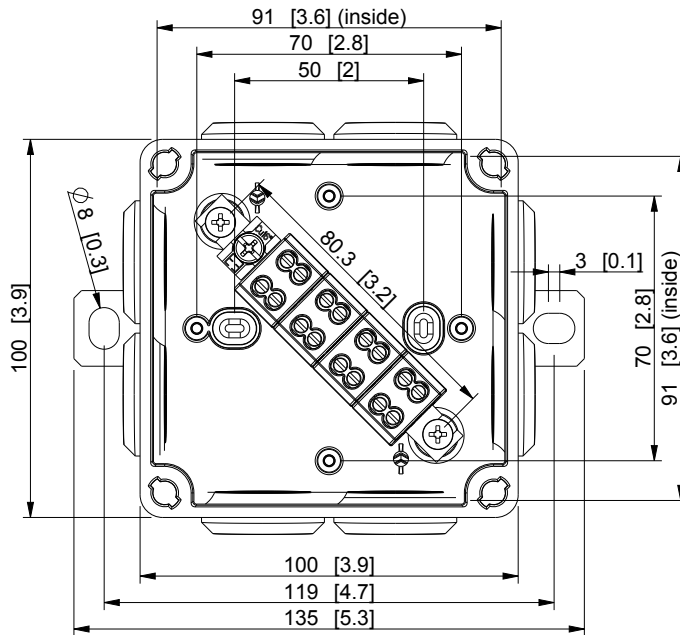
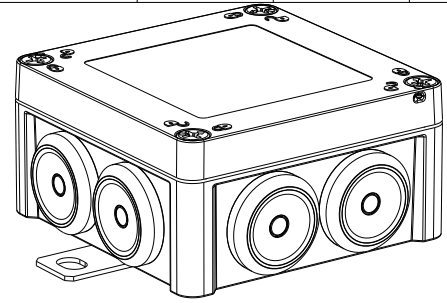
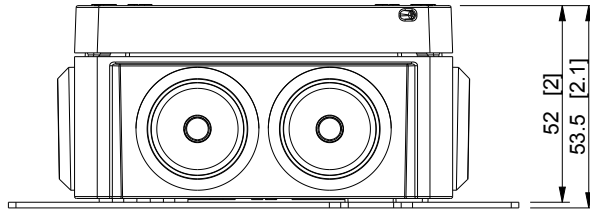
With screening:	false
Tackable:	false
Explosion-tested version:	false

Packaging

Default package

Unit:	PCS
Size:	8
Length:	500 mm
Width:	146 mm
Height:	120 mm
Weight (brt):	2.64 kg
Volume:	8.76

ID	Description	Date	By	Appr.
A		29.03.15	PKos	
B	Updated dimensions	28.12.15	TK	



Dimensions in mm [inches]

model FPT1010PP46_4 PART drawing PR_FPT1010PP DRAWING	Material: PP		Color: RAL2003	Weight (kg): 0.193	
	 ENSTO Ensto Finland Oy Ensto Industrial Solutions			Replaces:	
				Replaced:	
	Scale	Date	100x100mm, PP, 4xKR6.4		
	1:2	24.02.15	Fire safety box		
	-	By			Drw No: B
	-	Checked			Ref: Fire safety box
-	Ctrl	Code: FPT1010PP46_4	Sheet No:		