

ENSTO

FPT1515FE46.4

Fire protection junction box

| | |
|-------------|--|
| Code | FPT1515FE46.4 |
| GTIN | 6438100180836 |
| ENumber | |
| Name | Fire protection junction box Ensto Vulcano 150 x 150 mm, FE, tapping terminals 4 x 1,5-6 mm ² , E90 |
| Description | Fire protection junction boxes are designed and manufactured to maintain functionality for 30-90 minutes in a case of fire. |
| Vendor | Ensto Finland Oy |



Technical specification

Technical specification

| | |
|-----------------|---|
| Content: | Enclosure base, cover, cover screw with gasket and cage nuts, screw anchors for wall/ceiling mounting |
|-----------------|---|

Dimensions

| | |
|---------------------------------|-------------------|
| Conductor cross-section: | 6 mm ² |
| Size: | 150 x 150 x 95 mm |

Temperatures

| | |
|------------------------------|--------------------------------|
| Ambient temperature : | -25 °C...+40 °C, +35°C (24 h) |
|------------------------------|--------------------------------|

Electrical values

| | |
|------------------------------------|-------|
| Nominal insulation voltage: | 750 V |
| Nominal current A: | 41 A |

Materials

| | |
|----------------------|-------------------------------|
| Base: | Mild steel, polyester painted |
| Cover: | Mild steel, polyester painted |
| Cover screws: | Steel |
| Gasket: | Polyurethane |

Colors

| | |
|--------------------|---------|
| Color: | Orange |
| Color code: | RAL2003 |

Mechanical

| | |
|-------------------------|------|
| Impact strength: | IK09 |
|-------------------------|------|

Certificates

| | |
|-------------------|------------|
| Standards: | EN 60670-1 |
|-------------------|------------|

Ratings

| | |
|-------------------------------|----------|
| Degree of protection: | IP65 |
| Fire resistance class: | E30-E90 |
| ETIM class: | EC002600 |

ETIM

ETIM

| | |
|--------------------------------------|------------------------|
| Width: | 150 mm |
| Colour: | Orange |
| Material: | Steel |
| Length: | 150 mm |
| Depth: | 95 mm |
| Degree of protection (IP): | IP65 |
| Mounting method: | Wall-/ceiling mounting |
| Surface protection: | Untreated |
| Halogen free: | true |
| Cover model: | Blind cover |
| Max. conductor cross section: | 6 mm ² |
| Equipped with: | Support rail |
| Shape: | Square |
| For tubediameter: | 25 mm |
| Inlet from the rear: | false |
| Number of inlets: | 8 |
| Type of housing feed-through: | Seal membrane |
| Cover: | Not transparent |
| Cover attachment: | Screwed |
| Sealable: | false |
| Rated insulation voltage Ui: | 750 V |
| Circuit integrity: | E 90 |
| For Ex-zone gas: | None |
| For Ex-Zone dust: | None |
| Operation temperature: | -25 ... 40 °C |
| Castable: | false |
| Casting compound included: | false |
| Weatherproof: | true |
| With screening: | false |

Tackable: false

Explosion-tested version: false

Packaging

Default package

Unit: PCS

Size: 1

Length: 215 mm

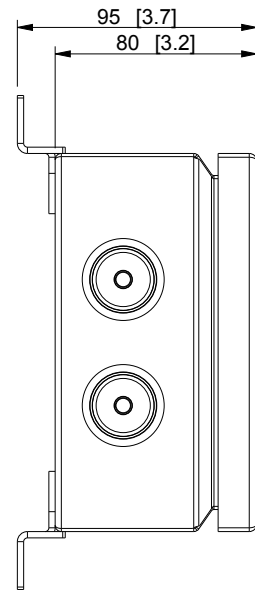
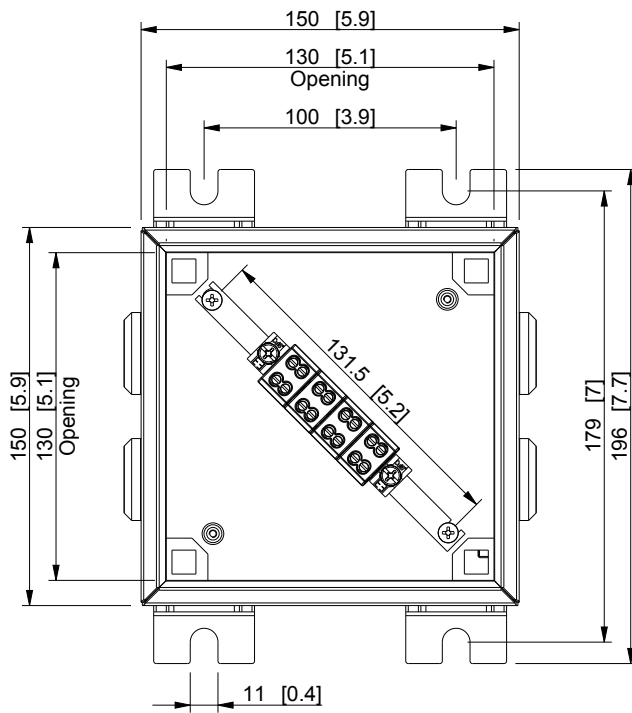
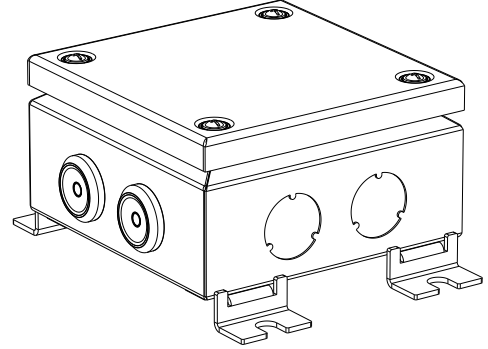
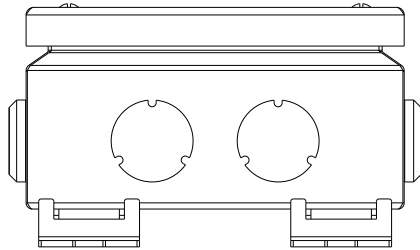
Width: 215 mm

Height: 140 mm

Weight (brt): 1.59332 kg


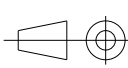
Volume: 6.4715

| ID | Description | Date | By | Appr. |
|----|-------------|----------|------|-------|
| A | | 27.02.15 | PKos | |



Dimensions in mm [inches]

model FPT1515FE46_4 PART
drawing PROCUS_FPT1515FE DRAWING

| | | | |
|---|----------|--|---------------------|
| Material: Mild steel, polyester painted | | Color: RAL2003 | Weight (kg): 1.619 |
|  Ensto Finland Oy Ensto Industrial Solutions | |  150x150mm, Fe, 4xKR6.4 Fire safety box | Replaces: |
| Scale: 1:3 | | | Replaced: |
| Date: 27.02.15 | By: PKos | | Drw No: A |
| Checked: | Ctrl: | | Ref: FPT |
| | | | Code: FPT1515FE46_4 |
| | | Sheet No: | |