

ENSTO

FPT1815PP416.4

Fire protection junction box

Code	FPT1815PP416.4
GTIN	6438100180812
ENumber	
Name	Fire protection junction box Ensto Vulcano 175 x 150 mm, PP, tapping terminals 4 x 2,5-16 mm ² , E90
Description	Fire protection junction boxes are designed and manufactured to maintain functionality for 30-90 minutes in a case of fire.
Vendor	Ensto Finland Oy



Technical specification

Technical specification

Content:	Enclosure base, cover, cover screw, cover line, fastening plate, screw anchors for wall/ceiling mounting, terminal rail, terminal rail mounting screws, ceramic terminals, PE terminal(s), rubber grommets
-----------------	--

Dimensions

Conductor cross-section:	2,5-16 mm ²
Size:	175 x 150 x 81.5 mm

Temperatures

Ambient temperature :	-25 °C...+40 °C, +35°C (24 h)
------------------------------	--------------------------------

Electrical values

Nominal insulation voltage:	750 V
Nominal current A:	76 A

Materials

Base:	Polypropylene
Cover:	Polypropylene
Cover screws:	Polycarbonate

Gasket: Polyurethane

Colors

Color: Orange

Color code: RAL2003

Features

Screw head: Slothead

Certificates

Standards: EN 60670-1

Ratings

Degree of protection: IP65

ETIM class: EC002600

ETIM

ETIM

Width: 175 mm

Colour: Orange

Material: Plastic

Length: 150 mm

Depth: 81.3 mm

Degree of protection (IP): IP65

Mounting method: Wall-/ceiling mounting

Surface protection: Untreated

Halogen free: true

Cover model: Blind cover

Max. conductor cross section: 16 mm²

Equipped with: Support rail

Shape: Rectangular

For tubediameter: Other

Inlet from the rear: true

Number of inlets: 14

Type of housing feed-through: Seal membrane

Cover: Not transparent

Cover attachment: Screwed

Sealable: true

Rated insulation voltage Ui: 750 V

Circuit integrity: E 90

For Ex-zone gas: None

For Ex-Zone dust: None

Operation temperature: -25 ... 40 °C

Castable: false

Casting compound included: false

Weatherproof: false

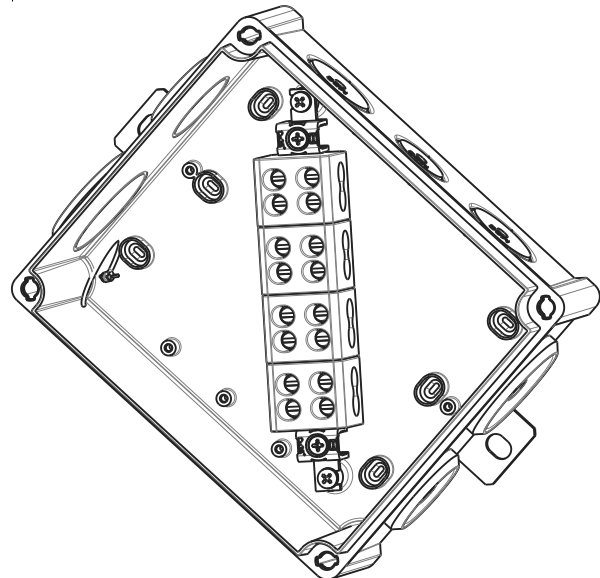
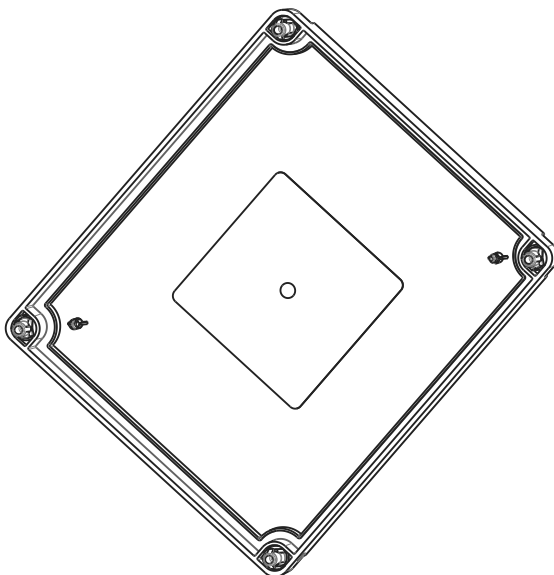
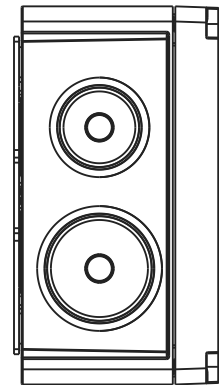
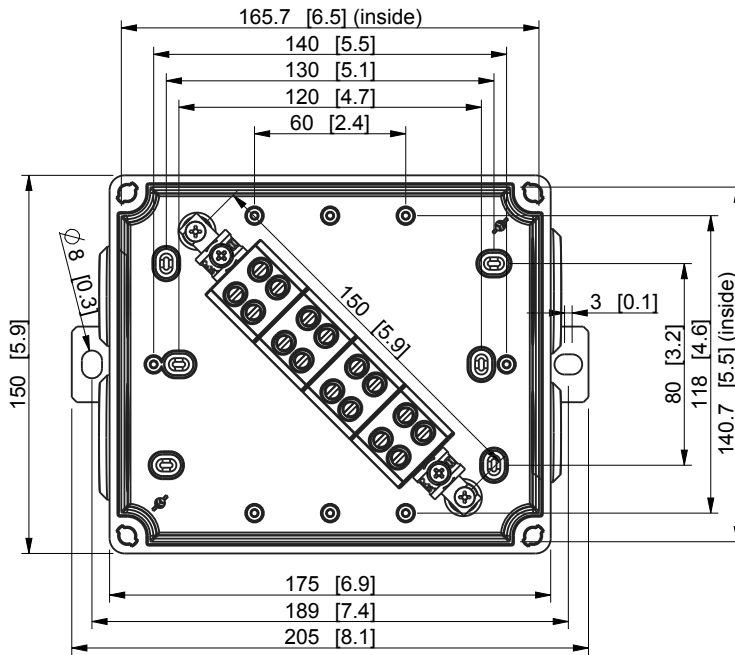
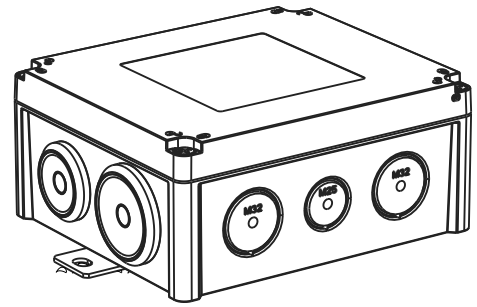
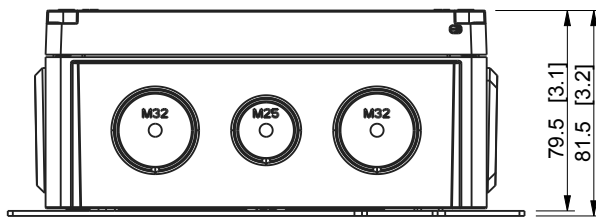
With screening:	false
Tackable:	false
Explosion-tested version:	false

Packaging

Default package


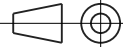
Unit:	PCS
Size:	6
Length:	500 mm
Width:	255 mm
Height:	200 mm
Weight (brt):	4.78 kg
Volume:	25.5

ID	Description	Date	By	Appr.
A		06.11.15	AKu	
B	Dimensions updated	28.12.15	TK	



Dimensions in mm [inches]

model FPT1815PP416_4_PART
drawing PR_FPT1815PP416_4_DRAWING

Material: PP	1:3	Color: RAL2003	Weight (kg): 0.491
 Ensto Finland Oy Ensto Industrial Solutions			
175x150mm, PP, 4xKR16.4			
Scale	Date	06.11.15	
1:3	By	AKu	
-	Checked		
-	Ctrl		
		Fire safety box	
Replaces:			
Replaced:			
Drw No:		B	
Ref:		Fire safety box	
Code:		FPT1815PP416_4	
Sheet No:			