



| | | | | |
|---|-----------|------|---------|--------------------------|
| Product designation | | | | Switch disconnecter |
| Product type designation | | | | GL |
| Number of poles | nr. | | | 3 |
| Operating voltage type | | | | AC |
| Contact characteristics | | | | |
| IEC Conventional free air thermal current I _{th} | A | | | 250 |
| Rated insulation voltage U _i IEC/EN | V | | | 1000 |
| Rated impulse withstand voltage U _{imp} | kV | | | 12 |
| Operating current I _e | | | | |
| AC21A | 400V | A | 250 | |
| | 500V | A | 250 | |
| | 690V | A | 250 | |
| AC22A | 400V | A | 250 | |
| | 500V | A | 250 | |
| | 690V | A | 250 | |
| AC23A | 400V | A | 250 | |
| | 500V | A | 250 | |
| | 690V | A | 250 | |
| Power dissipation per pole max | W | | | 6.5 |
| Rated operational power AC23A | 400V | kW | 140 | |
| | 690V | kW | 250 | |
| Reactive power for control of capacitors at | 400V | kvar | 115 | |
| Rated short time current (1s) I _{cw} (rms) | | | kA | 8 |
| Conditional short-circuit current (rms) | | | kA | 100 |
| Short-circuit protection with fuse | | | Class/A | gG/250 |
| Making capacity AC23A 400V | | | A | 2500 |
| Breaking capacity AC23A 400V | | | A | 2000 |
| Mechanical life | | | cycles | 20000 |
| Mechanical features | | | | |
| Operating position | normal | | | Vertical plan |
| | allowable | | | Any |
| Fixing | | | | Screw / DIN rail 35mm |
| Terminals | type | | | M8 x 25 |
| Tightening torque for terminals | min | Nm | 15 | |
| | max | Nm | 22 | |

| | | |
|-----|------|-----|
| min | Ibin | 132 |
| max | Ibin | 194 |

Conductor section

| | | |
|---------------|-----------------|-----|
| IEC min | mm ² | 70 |
| IEC max | mm ² | 185 |
| AWG/kcmil min | | 00 |
| AWG/kcmil max | | 400 |

Ambient conditions

Operating temperature

| | | |
|-----|----|-----|
| min | °C | -25 |
| max | °C | +55 |

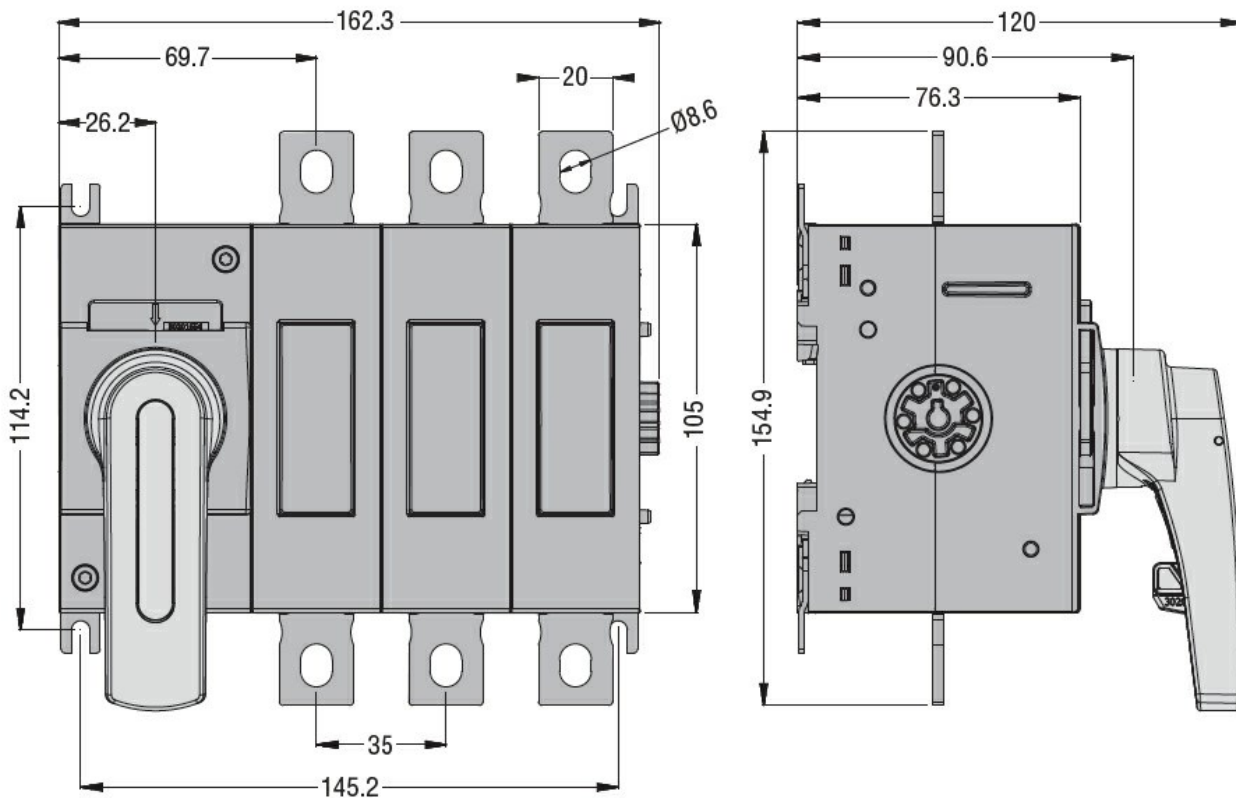
Storage temperature

| | | |
|-----|----|-----|
| min | °C | -40 |
| max | °C | +70 |

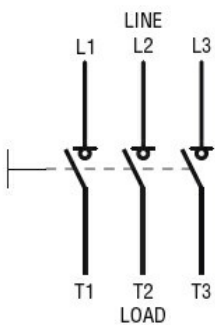
Max altitude

| | |
|---|------|
| m | 3000 |
|---|------|

Dimensions



Wiring diagrams



Certifications and compliance

Compliance

IEC/EN 60947-1
IEC/EN 60947-3

Certifications

EAC

ETIM classification

ETIM 8.0

EC000216 -
Switch
disconnector