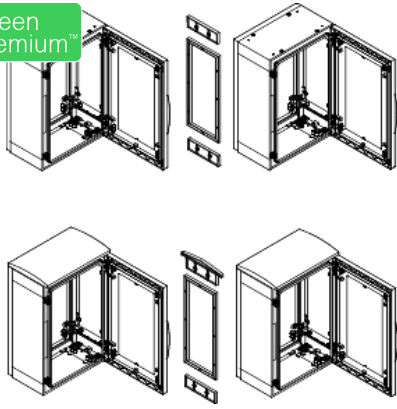


Product datasheet

Specifications



Horizontal coupling kit for PLA enclosure H500xD320 mm - 15 mm - IP55 coupling

NSYMUPLA53G

Main

| | |
|------------------------------------|--|
| Range | Thalassa |
| Accessory / separate part category | Coupling accessory |
| Product or component type | Coupling frame |
| Anwendung | Multi-purpose |
| Mounting location | Side coupling of 2 enclosures |
| Mounting support | ZA plinth |
| Range compatibility | Thalassa PLA suitable enclosure Thalassa PHD suitable enclosure |
| Device composition | 1 frame fixing elements |

Complementary

| | |
|-------------------------|------------------|
| Material | Frame: polyester |
| Height | 500 mm nominal: |
| Width | 15 mm frame: |
| Depth | 320 mm |
| IP degree of protection | IP55 |
| Colour | Grey (RAL 7035) |

Packing Units

| | |
|------------------------------|---------|
| Unit Type of Package 1 | PCE |
| Number of Units in Package 1 | 1 |
| Package 1 Weight | 500 g |
| Package 1 Height | 2.2 cm |
| Package 1 width | 35.2 cm |
| Package 1 Length | 24.1 cm |

Offer Sustainability

| | |
|--------------------------|--|
| Sustainable offer status | Green Premium product |
| REACH Regulation | REACH Declaration |
| EU RoHS Directive | Pro-active compliance (Product out of EU RoHS legal scope) |

| | |
|-----------------------------------|---|
| Mercury free | Yes |
| RoHS exemption information | Yes |
| China RoHS Regulation | China RoHS declaration Product out of China RoHS scope. Substance declaration for your information |
| Environmental Disclosure | Product Environmental Profile |

Contractual warranty

| | |
|-----------------|-----------|
| Warranty | 18 months |
|-----------------|-----------|
