

Dual power supply module for measurement and control of voltages present at supply inputs to power motorised circuit breakers/changeover switches, 110/230VAC configurable



Product designation	Dual power supply module		
Product type designation	ATLDPS1		
<b>General characteristics</b>			
Number of controlled power sources	Nr.	2	
<b>AC Power supply</b>			
Rated supply voltage AC	VAC	110...230	
Operating supply voltage range AC	VAC	80...300	
Rated frequency	Hz	50/60	
Operating frequency range	Hz	45...66	
Power consumption AC (Max)	VA	7	
<b>Voltage inputs</b>			
Maximum rated voltage Ue		110...230VAC	
Measurement range	V	80...300	
Frequency range	Hz	45...66	
Measurement method		True root mean square (TRMS)	
Wiring mode		Power supplied by the system with phase-to-neutral voltage $\leq$ 300VAC	
<b>Digital inputs</b>			
Number of digital input	Nr.	1 for rated voltage selection 110/230VAC	
<b>Relay outputs</b>			
Number of relay output	Nr.	3	
Contact arrangement		2 x 2NO (presence line 1 and line 2), 1 x 2C/O (relay exchange line), 1 x NO (alarm)	
Electrical life	cycles	105	
Mechanical life	cycles	107	
<b>Ambient conditions</b>			
Temperature			
	Operating temperature		
		min	°C -30
		max	°C +70
	Storage temperature		
		min	°C -30
		max	°C +80
Relative humidity		%	<80%
Maximum Pollution degree			2

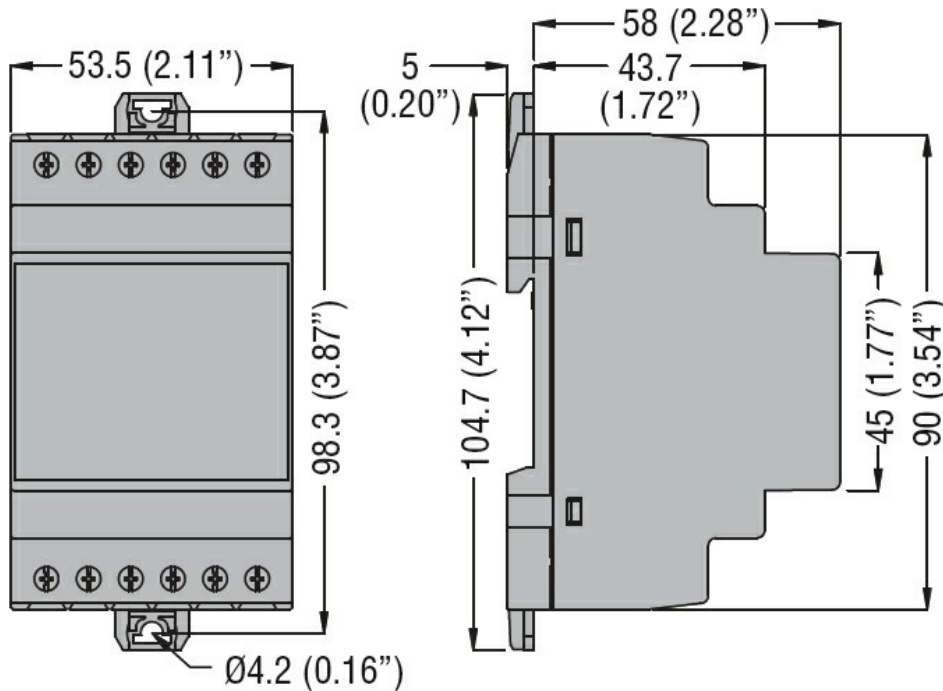
Dual power supply module for measurement and control of voltages present at supply inputs to power motorised circuit breakers/changeover switches, 110/230VAC configurable

Overvoltage category	3
Measurement category	III
Climatic sequence	Z/ABDM (IEC/EN 60068-2-61)
Shock resistance	15g (IEC/EN 60068-2-27)
Vibration resistance	0.7g (IEC/EN 60068-2-6)

**Housing**

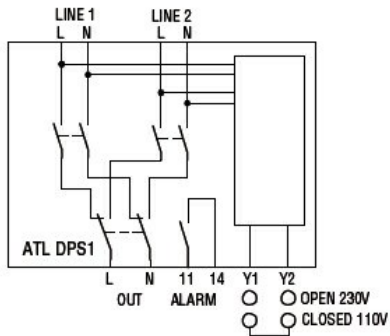
Execution	Modular housing (3 modules DIN 43880)
Material	Polyamide
Mounting	35mm DIN rail (IEC/EN 60715) or screw-type by means of removable clips
Degree of protection	IP40 on front, IP20 on terminals
Dimensions (W x H x D)	mm 53.5 x 104.7 x 63
Weight	g 300

**Dimensions**



**Wiring diagrams**

Connection diagram



Certifications and compliance

Compliance

CSA C22.2 n° 14

IEC/EN 60947-1

IEC/EN 60947-6-1

IEC/EN 61000-6-2

IEC/EN 61000-6-3

UL508

Certificates

cULus

EAC

RCM

ETIM classification

ETIM 8.0

EC002541 - AC-power supply