

Data sheet

Commercial Art.No.: 81.000.6520.0

Switched-mode power supply WIPOS PS1 24-2.5

wipos PS1 switched-mode power supply, nominal voltage: 24 V DC / 2,5 A (setting range 21,6-27,6 V DC), sustained short-circuit protection, input voltage range: 85-264 V AC / 90-350V DC, single phase, W x H x D: 32 x 90 x 110 mm



Commercial Art.No.	81.000.6520.0
EAN	4049088269646
Order Unit	1

Certificates / Approvals



Technical data

General

Connection type	screw connection
Number of phases	Single phase power supply
Modular version	No
Mounting type, other	No
Mounting type, wall mounting	No
Rail mounting possible	yes
Housing material	Polycarbonat
Operating temperature min.	-40 °C
Operating temperature max.	70 °C
relative humidity min.	0 %
relative humidity max.	95 %
Storage temperature / transport min.	85 °C
Storage temperature / transport max.	-40 °C
Degree of protection (IP)	IP20
Protection class	I
Pollution degree	2
series Connection possible	yes
Number of series switchable device	2
Parallel-service possible	yes
Number of parallel switchable device	2

Technical data

Function display	"DC OK" (LED green) (U(o) 17.6...19.4V)
------------------	---

two-Phase use	85...264V AC A fuse or a protective Switch must be connected to the N-terminal
temperature coefficient	±0.05%/K
ripple and noise	< 0.05 V
hold time 115V AC	> 25 ms
hold time 230V AC	> 129 ms
isolating voltage Output DC	4242 V
cohesive resistance (In-/Output)	100 MOhm
Derating	A. 60 °C ... 70 °C: 2,5 %/K B. 40 °C ... 70 °C: 1,67 %/K
cooling	free convection
MTBF	590.000h
Connector cross section (input)	0,35-4 mm ² /0,25-2,5mm ² (AWG22 - 12/AWG22-14)
Connector cross section (output)	0.5-4 mm ² /0.5-2.5 mm ² (AWG22 - 12/AWG22 - 14)
Connector cross section PE	min. 2,5mm ² (AWG14)
Wire strip length	8 mm
Permissible torque min.	0.5 Nm
Permissible torque max.	0.6 Nm
Control "Adj"	trimming potentiometer for fine-tuning of U(out)
Number of +	2
Number of -	3
Further terminals	L1, N, PE

Output

Type of output voltage	DC
Power output	60 W
Output voltage stabilized	yes
Output voltage	24 V
Min. output voltage	21.6 V
Max. output voltage	27.6 V
Output current	2.5 A

Input

Type of voltage (input voltage)	
Input voltage DC min.	90 V
Input voltage DC max.	350 V
Input voltage AC min.	85 V
Input voltage AC max.	264 V
Rated frequency min.	47 Hz
Rated frequency max.	450 Hz
Input fuse	6,3A / 250V (intern)

Dimensions

Depth	110 mm
Width	32 mm
Height	90 mm
Mounting Distance horizontal	20 mm
Mounting Distance vertical	75 mm
Weight	260 g

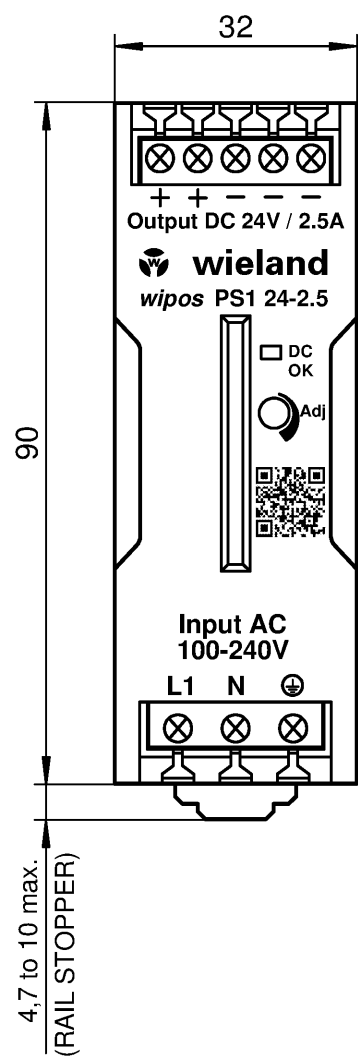
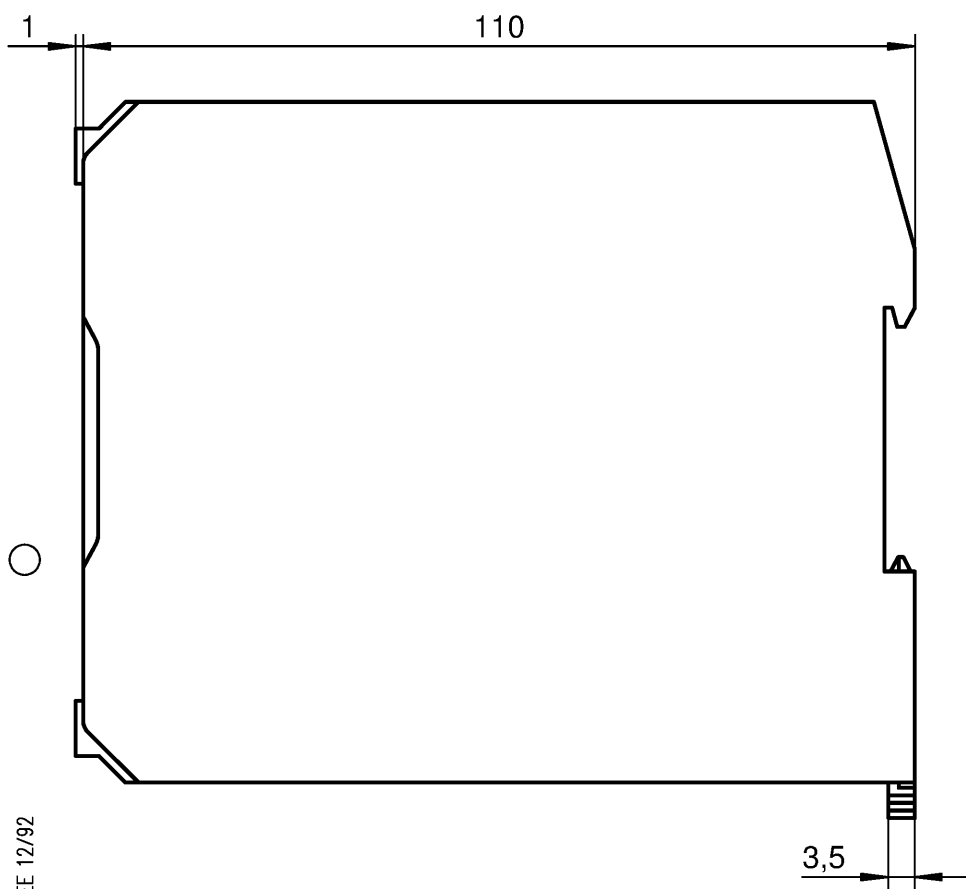
Classification

ECLASS 11	
-----------	--

ECLASS 8.1	27049002
ETIM 7.0	EC002540
ETIM 6.0	EC002540
ETIM 5.0	EC002540

Product compliance

REACH-SVHC conformity status	Compliant
------------------------------	-----------



Weitergabe sowie Vervielfältigung dieses Dokuments, Verwertung und Mitteilung
 seines Inhalts sind verboten, soweit nicht ausdrücklich gestattet.
 The reproduction, distribution and utilization of this document as well as the
 communication of its contents to others without express authorization is prohibited.

Qu - PEE 12/92

Weitere Angaben siehe KATALOG oder eKatalog.
 Additional data see CATALOG or eCatalog.

www.wieland-electric.com
eshop.wieland-electric.com

ja/yes Stoffverbots- und Deklarationsliste nach WN 5020.010 ist einzuhalten.
 Conformity with Wieland document WN 5020.010 e (list of prohibited / declarable hazardous substances) to be declared!

Freitoleranz nach General tolerance		CAD-Zeichnung, keine manuellen Änderungen CAD-Drawing, no manual modifications allowed			1. Verwendung: First Use:		Blatt: Sheet:	
		Werkstoff/ Material		2015	Tag/ Date	Zeichnung Nr./ Drawing No.		
				gezeichnet drawn	20.01.	81.000.6520.0 01K		
Maßstab/Scale				geprüft checked		Maße in mm/Dimensions are in mm		
				Normgepr. Stand. check				
Datei/ File: 042251__01K.DCD				Ersatz für/ Replacement for:				
 www.wieland-electric.com		Type		Benennung/ Title				
				Teilespezifikation / Component specification Schaltnetzteil / Switching Power Supply wipos PS1 24 V DC / 2.5 A				
Index	Datum/ Blatt Date/ Sheet							
Änderung/ Revision								

A
1
2
3
4
5
6
7
8
9
10
11
12
13
14
15
16
17
18
19
20
M1
M2
M3
L
G
i
11.1
12.1
1.1