

Data sheet

Commercial Art.No.: 81.000.6570.0

Switched-mode power supply WIPOS PS3 24-10

wipos PS3 switched-mode power supply, nominal voltage: 24 V DC / 10 A (setting range 22,5-29,5 V DC), sustained short-circuit protection, input voltage range: 320-576 V AC / 450-810 V DC, three-phase, W x H x D: 40 x 125 x 150 mm



Commercial Art.No.	81.000.6570.0
EAN	4049088269691
Order Unit	1

Certificates / Approvals



LR

Technical data

General

Connection type	screw connection
Number of phases	3 phase power supply
Modular version	No
Mounting type, other	No
Mounting type, wall mounting	No
Rail mounting possible	yes
Housing material	Metal
Operating temperature min.	-40 °C
Operating temperature max.	70 °C
relative humidity min.	0 %
relative humidity max.	95 %
Storage temperature / transport min.	85 °C
Storage temperature / transport max.	-40 °C
Degree of protection (IP)	IP20
Protection class	I
Pollution degree	2
Parallel-service possible	No

Technical data

Display	LED
Function display	"DC OK" $U(o) > 19,4V$ DC
temperature coefficient	$\pm 0.05\%/K$
ripple and noise	$< 0.19 V$

isolating voltage Output DC	4242 V
cohesive resistance (In-/Output)	100 MOhm
Derating	A. Standard-Mounting B. Mounting with front up, max. 480V AC or max. 678V DC C. Mounting with front up, max. 576V AC or max. 810V DC
cooling	free convection
MTBF	350.000h
Connector cross section (input)	0,35-6mm ² /0,35-4mm ² (AWG22-10/AWG22-12)
Connector cross section (output)	2,5-6mm ² /2,5-4mm ² (AWG14-10/AWG14-12)
Wire strip length	10 mm
Permissible torque min.	0.5 Nm
Permissible torque max.	0.6 Nm
Control "Adj"	trimming potentiometer for fine-tuning of U(out)
Number of +	2
Number of -	3
Further terminals	+L1, -L2, (L3) (CA: Fasi L1/L2/L3, DC: Positivo +L1, Negativo -L2), PE

Output

Type of output voltage	DC
Power output	240 W
Output voltage stabilized	yes
Output voltage	24 V
Min. output voltage	22.5 V
Max. output voltage	29.5 V
Min. output voltage	22.5 V
Max. output voltage	29.5 V
Output current	10 A

Input

Type of voltage (input voltage)	
Input voltage DC min.	450 V
Input voltage DC max.	810 V
Min. input voltage	380 V
Max. input voltage	480 V
Input voltage AC min.	320 V
Input voltage AC max.	576 V
Rated frequency min.	47 Hz
Rated frequency max.	63 Hz
Input current, max.	0.69 A
Max. starting current	29 A

Dimensions

Depth	150 mm
Width	60 mm
Height	125 mm
Mounting Distance horizontal	20 mm
Mounting Distance vertical	75 mm
Weight	1000 g

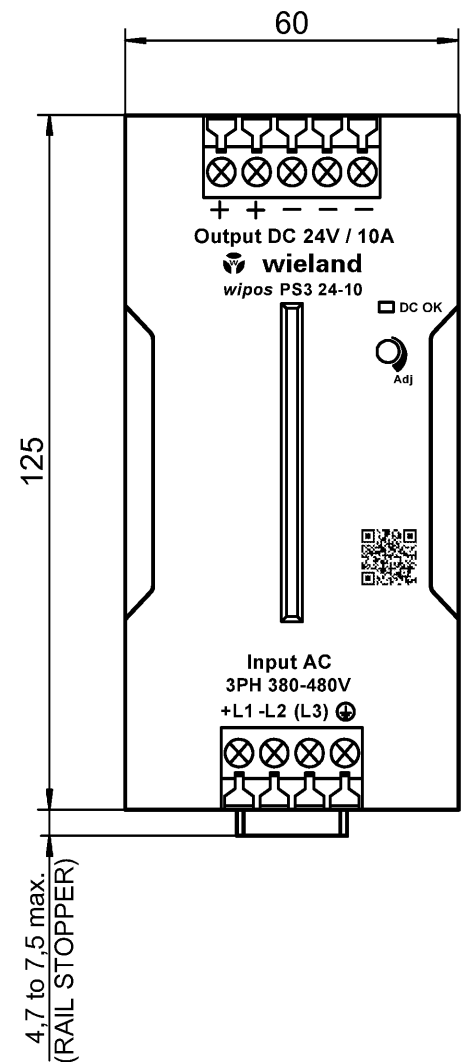
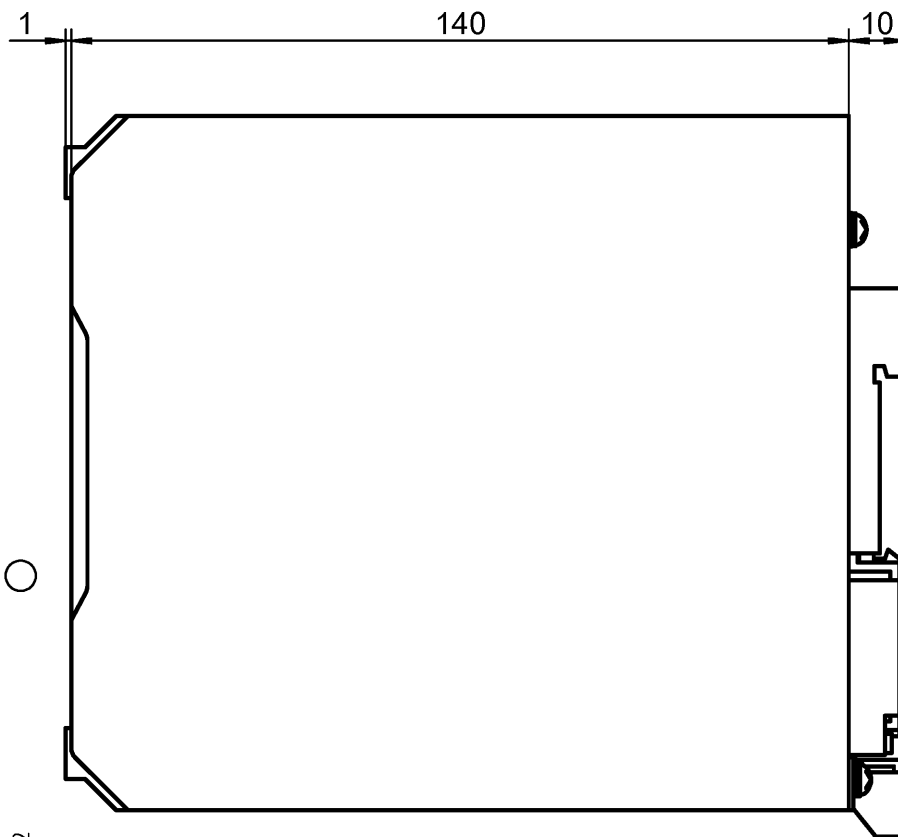
Classification

ECLASS 11	
-----------	--

ECLASS 8.1	27049002
ETIM 7.0	EC002540
ETIM 6.0	EC002540
ETIM 5.0	EC002540

Product compliance

REACH-SVHC conformity status	Compliant
------------------------------	-----------



Qu - PEE 12/92

Weitere Angaben siehe KATALOG oder eKatalog.
Additional data see CATALOG or eCatalog.

www.wieland-electric.com
eshop.wieland-electric.com

ja/yes Stoffverbots- und Deklarationsliste nach WN 5020.010 ist einzuhalten.
Conformity with Wieland document WN 5020.010 e (list of prohibited / declarable hazardous substances) to be declared!

Freitoleranz nach General tolerance		CAD-Zeichnung, keine manuellen Änderungen CAD-Drawing, no manual modifications allowed			1. Verwendung: First Use:		Blatt: Sheet:		
		Werkstoff/ Material		2015	Tag/ Date	Name	Zeichnung Nr./ Drawing No. 81.000.6570.0 01K		
				gezeichnet drawn	20.01.	Koetzner			
Maßstab/Scale		Datei/ File: 042301_A01K.DCD		Ersatz für/ Replacement for:					
		Type		Benennung/ Title			Teilespezifikation / Component specification		
www.wieland-electric.com				Schaltnetzteil / Switching Power Supply			wipos PS3 24 V DC / 10 A		