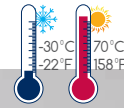




# DOUBLE INSULATION MODULAR BOX

## CA-220s

Polyamide box with polycarbonate opaque cover 180 x 180 x 130 mm



IEC-21305



IEC 60529



IEC 50102



IEC-20672



### FEATURES

## SafyBox CA

- Boxes & Cabinets made from polyamide.
- Colour Light Grey RAL 7035
- Self-extinguishability: 960° test withstanding. Halogen free. Double insulation. No electrical contact risks.
- Degree of protection Ip66 UNE 20324 (EN 60529).
- Certification of compliance with IEC62208 enclosure standard. Suitable for indoor or outdoor use.
- Reversibility for installation right or left door opening.
- Customise service: colour, machining, mounting accessories, locks, company logo.
- Lock 8mm screw seasables and vandalism-proof.
- Version with transparent, opaque & transparent.
- Polyester mounting plate back pannel optional.
- Resistant to harsh atmospheres.
- Light weight gives an easy installation.
- +10 years. Long life lasting without maintenance under standard environmental conditions.

Code	Description	Height x Width x Depth	Weight
CA-220s	Empty standard box colour light grey and opaque cover	180 x 180 x 130 mm	0,68 Kg





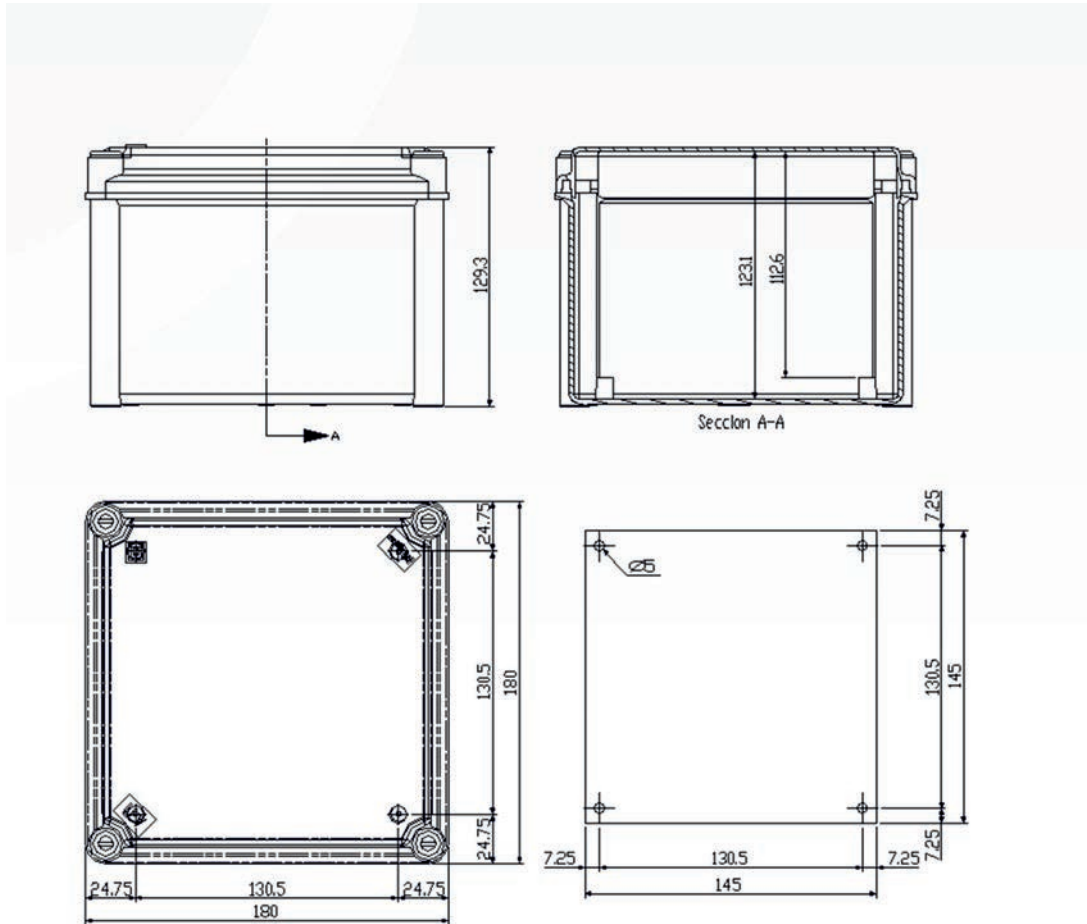
# DOUBLE INSULATION MODULAR BOX



## CA-220s

Polyamide box with polycarbonate opaque cover 180 x 180 x 130 mm

Standard  
IEC  
IEC-62208



### Packaging

packaging units	6	packaging height	370 mm	units per pallet 120x80 (h220)	
Screw cover number	4	packaging width	550 mm	units per pallet 110x110 (h220)	504
weight	0,68 Kg	packaging depth	130 mm		

### Environmental performance

Minimum temperature	-30 °C	IP dust water protection degree IEC-60529	66
Maximum temperature	70 °C	IK impact protection degree IEC-50298	10
Compression resistance	100 kg		

### Electrical performance

Nominal tension direct current up to:	1500 Vdc
Nominal tension alternative current up to:	1000 Vac
Maximum power dissipation At 40°C (wall surface)	22,5 W

### Installation and assembly system

Inside installation	Yes	Wall surface	Yes
Outdoor installation	Yes	Floor mounting	No
Flush mounting	Yes	Pole mounting	No