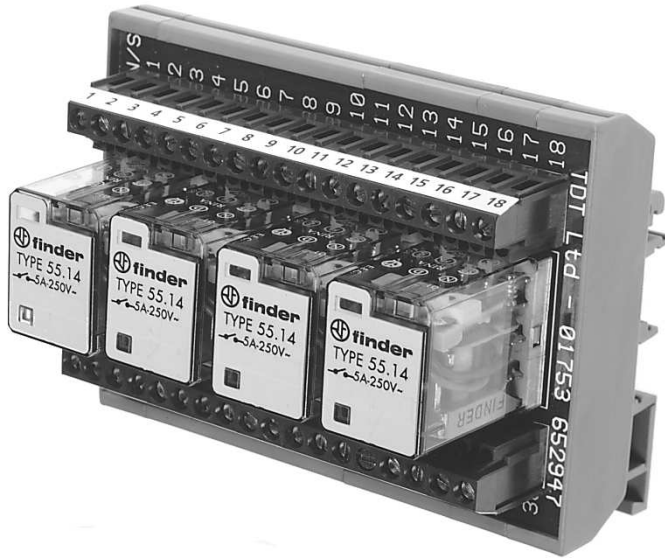


LT-16

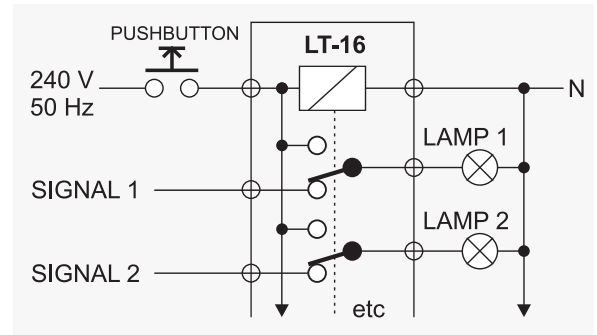
LAMP TEST UNIT



Description

The LT-16 Lamp test unit is a convenient and compact method of providing signals for testing lamps in control panels.

It consists of 4 X 4 pole relays which, when operated by an external pushbutton, disconnects the normal signals and outputs a test voltage to each lamp



The above diagram shows the operating principle, All signals must be the same voltage and phase

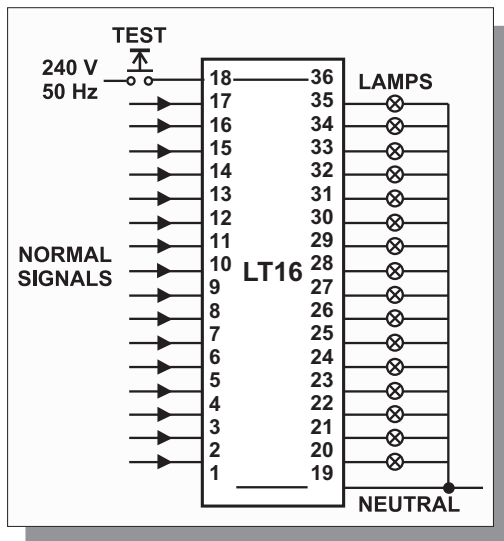
Technical Data

16 Channels @ 1 Amp max
(Total not to exceed 5 Amp)

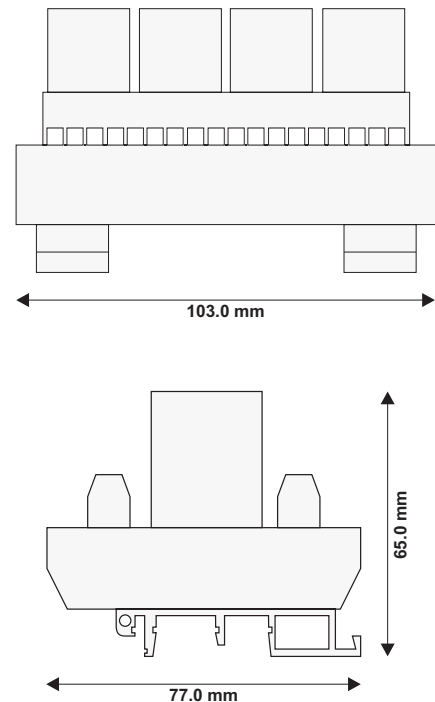
Voltages available
240VAC, 110VAC, 24VAC, 24VDC, 12VDC.

The unit is suitable for DIN rail mounting

Wiring Diagram



Dimensions



Notes :-

Terminals 18 and 36 are linked, Terminals 1 and 19 are linked this is to facilitate parallel wiring to further units