

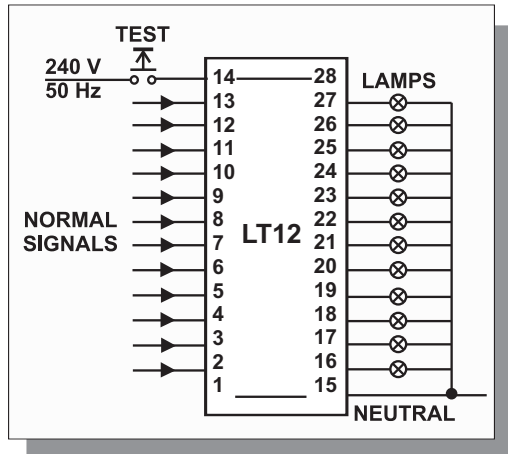
# LT-12

# LT-8

# LT-4

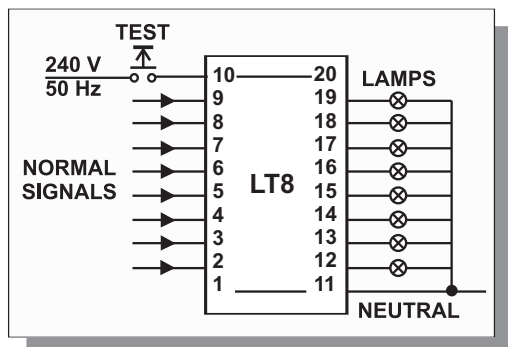
## LAMP TEST UNITS

### Wiring Diagrams



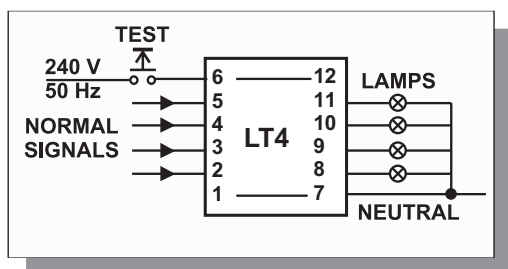
#### Notes :-

Terminals 1 and 15 are linked, Terminals 14 and 28 are linked, this is to facilitate parallel wiring to further units



#### Notes :-

Terminals 1 and 11 are linked, Terminals 10 and 20 are linked, this is to facilitate parallel wiring to further units



#### Notes :-

Terminals 1 and 7 are linked, Terminals 6 and 12 are linked, this is to facilitate parallel wiring to further units

### Dimensions

(Height and width as per LT-16)

