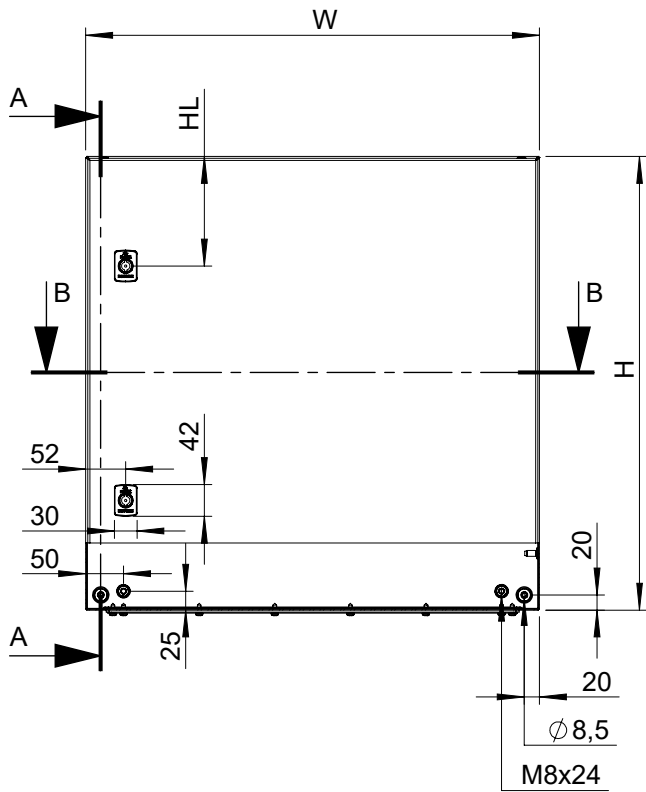
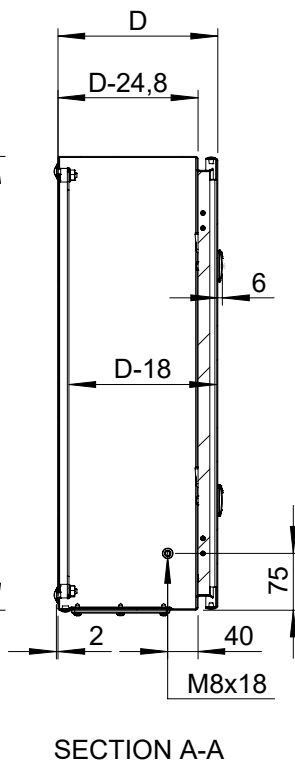


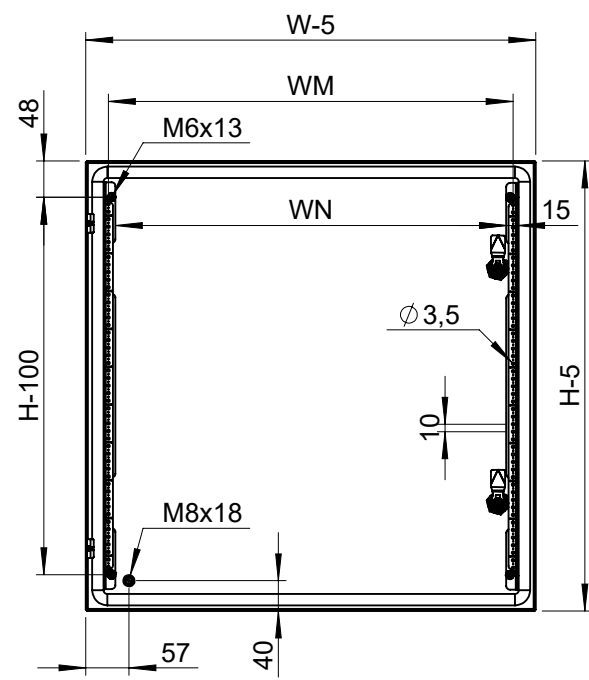
Front view



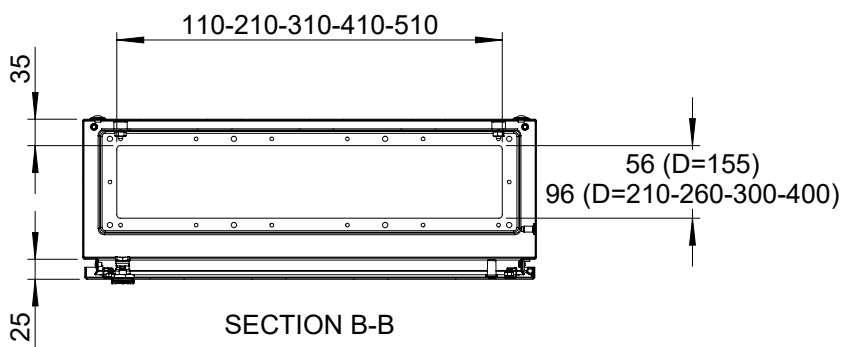
Sectional side view



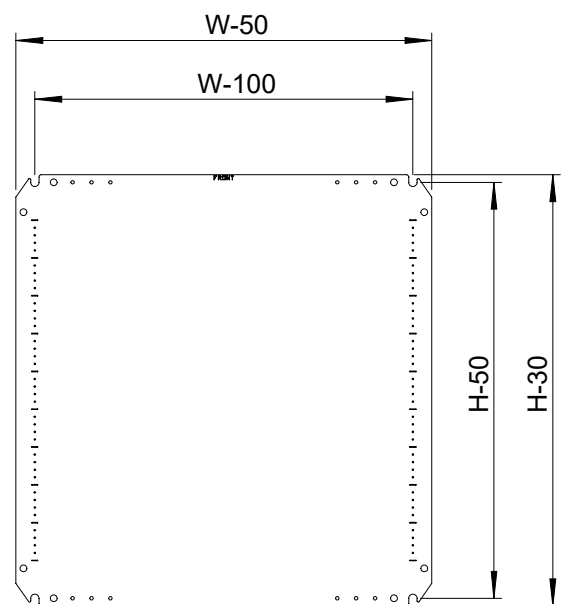
Inside door view



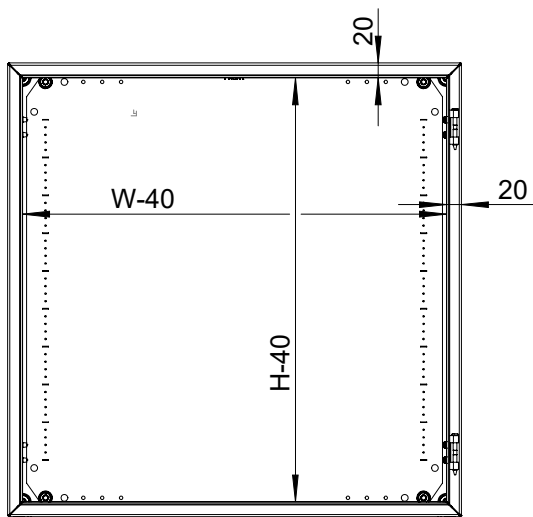
Sectional top view



Mounting plate



Front view (no door)



Locks	H	HL
1	$H < 600$	$H/2$
2	$600 \leq H < 800$	145
	$800 \leq H < 1000$	150
1*	$H \geq 1000$	$H/2$

	WM	WN
$600 \leq H \leq 800$	W-65	W-83
$H > 800$	W-110	W-128