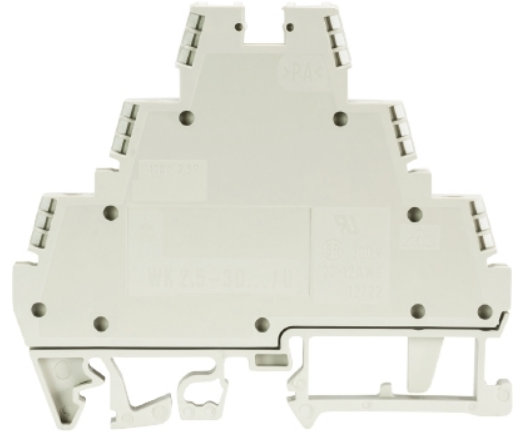


Data sheet

Commercial Art.No.: 57.503.8855.0

initiator terminal WK 2,5-3 D/U /V0

Initiator terminal with Screw connection for mounting on TS 35 / TS 32, nominal cross section: 2.5 mm², width: 6 mm, color: grey



Commercial Art.No.	57.503.8855.0
EAN	4015573511743
Order Unit	50

certificates / approvals



Technical data

general

nominal cross section	2.5 mm ²
color	grey
number of levels	3
number of clamp positions per level	2
width/grid dimension	6 mm
insulating housing	PA666
flammability class of insulation material acc. with UL94	V0
mounting method	DIN rail (top hat rail)/G-rail
terminal blocks for electrical installations	no

technical data

rated current	24 A
rated voltage	400 V
rated impulse voltage	6 kV
pollution degree	3
closing plate required	no
type of insulation material	thermoplastic
length	79.4 mm

connection data

connection type 1	screw connection
connection type 2	screw connection

minimum cross section solid	0.5 mm ²
maximum cross section solid	4 mm ²
minimum cross section fine stranded	0.5 mm ²
maximum cross section fine stranded	2.5 mm ²
wire strip length	7 mm
torque conductor mounting	0.4 Nm

technical data UL/CSA

cross section UL	22-12 AWG
voltage UL	300 V
current factory wiring	25 A
current field wiring	20 A
cross section CSA	22-12 AWG
voltage CSA	300 V
current CSA	25 A

additional data

display	none
power supply function	no

classification

ECLASS 11	
ECLASS 8.1	27141128
ETIM 9.0	EC000900
ETIM 8.0	EC000900
ETIM 7.0	EC000900
ETIM 6.0	EC000900
ETIM 5.0	EC000900
ETIM 4.0	EC000900
ETIM 3.0	EC000900

product compliance

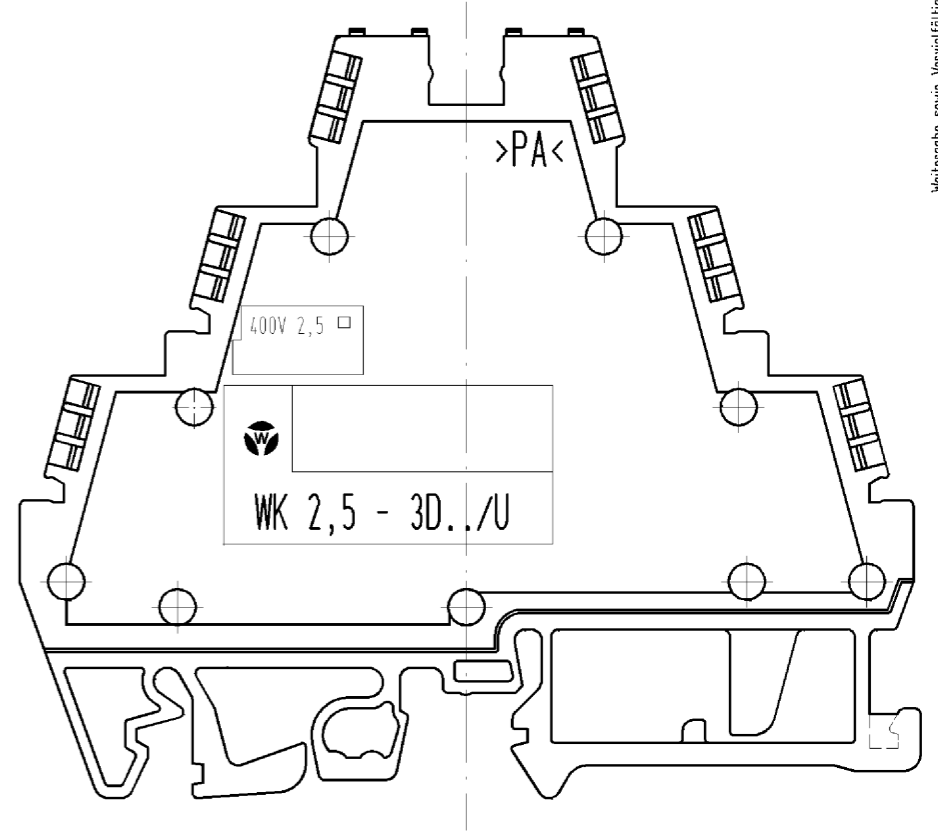
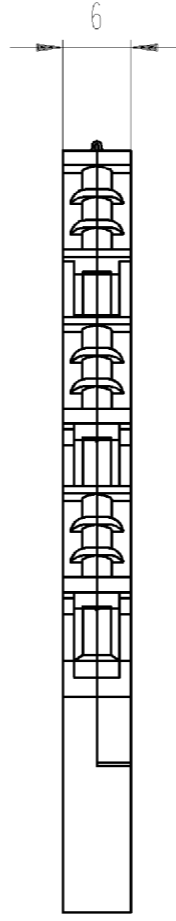
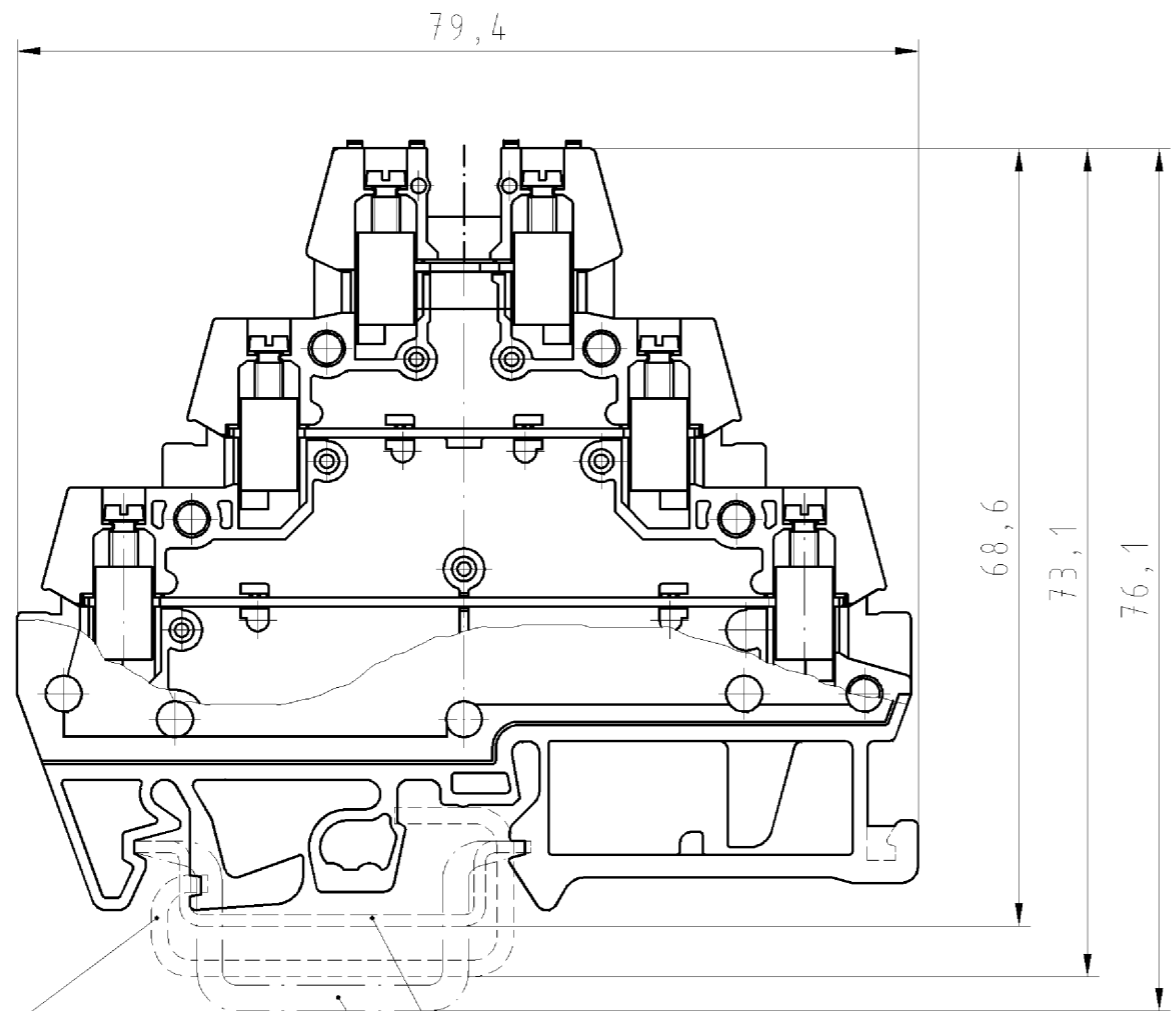
ROHS conformity status	compliant/exempted
ROHS exceptions	III-6(c)
REACH-SVHC conformity status	Duty-To-Declare
REACH-SVHC substances	Lead
REACH-SVHC CAS numbers	7439-92-1

Accessories

Commercial Art.No.:	Article-type description:	Description:
Z7.267.0227.5		
Z7.267.0227.6		
Z7.267.0327.5		
Z7.267.0327.6		
Z7.267.0427.5		
Z7.267.0427.6		
Z7.267.0527.5		
Z7.267.0527.6		

Z7.267.0627.5		
Z7.267.0627.6		
Z7.267.0727.5		
Z7.267.0727.6		
Z7.267.0827.5		
Z7.267.0827.6		
Z7.267.0927.5		
Z7.267.0927.6		
Z7.267.1027.5		
Z7.267.1027.6		
Z7.267.1227.5		
Z7.267.1227.6		
07.312.1255.0	partition TW 2,5-3 D/U /V0	Partition for DIN rail terminal blocks type WK 2,5-3 D/U..., color: grey
Z7.270.0427.0		
Z7.270.0927.0		
Z7.270.1227.0		

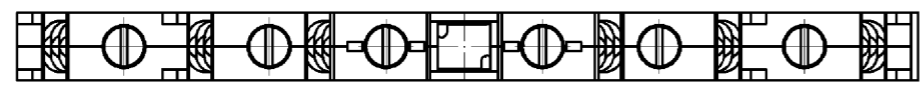
○ Diese Maße werden bei Abnahme besonders geprüft
 □ Ausschließlich Prüfmaße
 M1, F gekennzeichnete Maße sind nur für interne Zwecke gültig



○ G-Schiene EN 60715 - G 32
 mounting rail EN 60715 - G32

□ Hutschiene EN 60715 - 35x7,5
 mounting rail EN 60715 - 35x7,5

□ Hutschiene EN 60715 - 35x15
 mounting rail EN 60715 - 35x15



weitere Daten siehe Katalog
 further data see catalog

Teile-Nr. Teile-Nr.	Farbe colour	Typ type
57.503.8853.0	grau grey	WK 2,5-3 D/U
57.503.8855.0	kieselgrau pepple grey	WK 2,5-3 D/U /V0

Freitoleranz nach		CAD - Zeichnung, keine manuellen Änderungen			1. Verwendung: -		Bl.: 1 von 1			
	/	Maßstab	Werkstoff und Oberfläche:		2003	Tag	Name	Zeichnung Nr. 57.503.8853.0 01K	Index	
	/				z	Entworfen	25.06.			Bauer F.
	/					Geprüft	-			-
	/	Vol.	mm ³	Ofl.	mm ²	Normgepr.	-	-	Ersatz für: -	
	/	wieland Elektrische Verbindungen		Benennung						
	/			DREILEITERKLEMME THREE-LEVEL TERMINAL						
Buchstabe	Datum / Blatt	Änderung								

Weitergabe sowie Vervielfältigung dieses Dokuments, Verwertung und Mitteilung
 seines Inhalts sind verboten, soweit nicht ausdrücklich gestattet.
 The reproduction, distribution and utilization of this document as well as the
 communication of its contents to others without express authorization is prohibited.