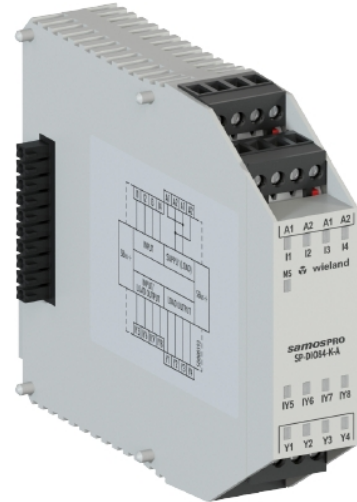


Data sheet

Commercial Art.No.: R1.190.1050.0

PLC digital I/O-module SP-DIO84-K-A DC 24V

samosPRO, IO-module with 8 non-safe inputs/4 non-safe outputs, 4 configurable non-safe I/O, screw terminal pluggable



Commercial Art.No.	R1.190.1050.0
EAN	4049088355288
Order Unit	1

certificates / approvals



Technical data

general

in-/outputs configurable	yes
--------------------------	-----

connection data

type of electric connection	screw connection
-----------------------------	------------------

output circuit

number of outputs	4
output current	0.5 A
short-circuit protection, outputs	yes
type of digital output	transistor

other

suitable for safety functions	no
type of supply voltage	DC
type of voltage (input voltage)	

control circuit

number of inputs	8
input current (at state "1")	3 mA
permitted voltage at input	30 V

supply circuit

Nennspannung DC	24 V
min. supply voltage at DC	16.8 V
max. supply voltage at DC	30 V

dimensions

depth	121 mm
width	22.5 mm
height	96.5 mm

classification

ECLASS 11	
ECLASS 8.1	27242204
ETIM 9.0	EC001419
ETIM 8.0	EC001419
ETIM 7.0	EC001419
ETIM 6.0	EC001419
ETIM 5.0	EC001419
ETIM 4.0	EC001419
ETIM 3.0	EC001419

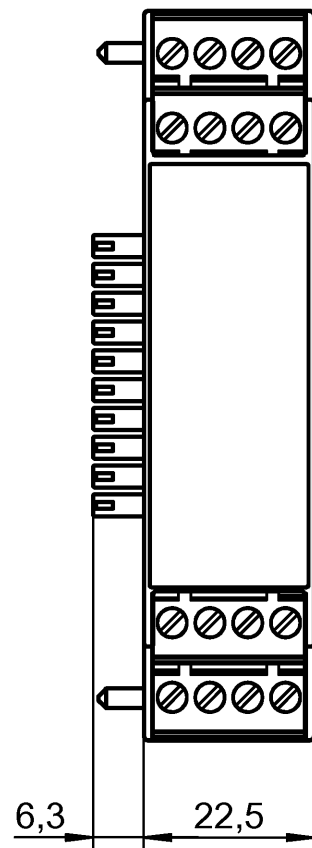
product compliance

ROHS conformity status	compliant/exempted
ROHS exceptions	III-6(c); III-7(c)I
REACH-SVHC conformity status	Duty-To-Declare
REACH-SVHC substances	Lead
REACH-SVHC CAS numbers	7439-92-1

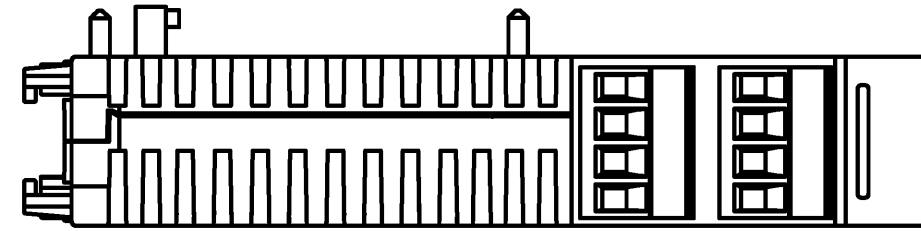
Accessories

Commercial Art.No.:	Article-type description:	Description:
99.208.9999.9	PCB connector SAFETY SCHRAUBKL.SET	
99.209.9999.9	safety plug set push in SAFETY PUSH IN SET	
R1.190.1010.0	samosPRO SP-CABLE-USB1	samosPRO-USB cable for SP-COP, 1,8 m
56.202.8055.0	initiator terminal WTP 1,5 I/O-3	Initiator terminal with push in connection for mounting on TS 35,nominal cross section: 1,5 mm ² ,Width: 3,5 mm,Color: grey

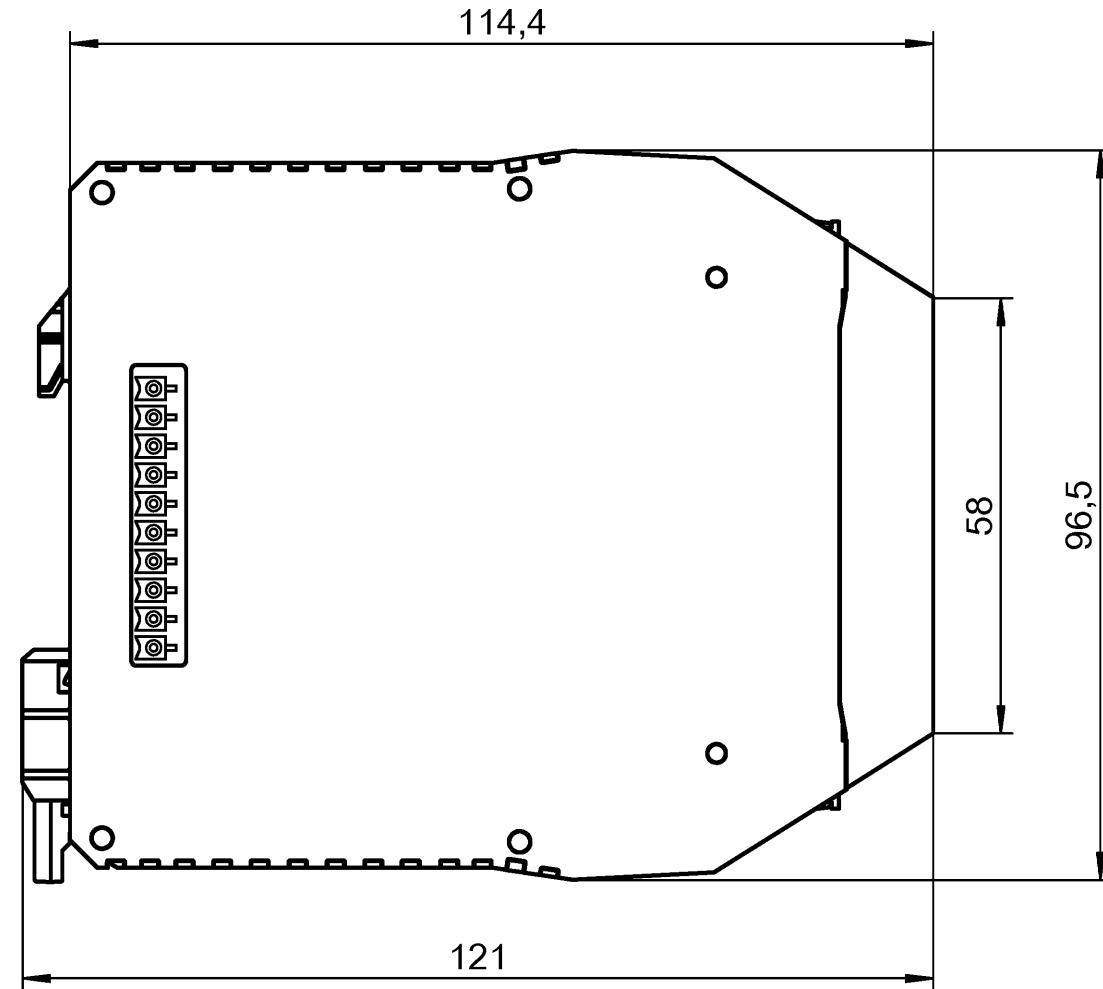
Teile Nr. / Part No.	
	R1.190.0030.0
	R1.190.0050.0
	R1.190.1050.0



(a)



(a)



Weitere Angaben siehe KATALOG oder eKatalog.
Additional data see CATALOG or eCatalog.

www.wieland-electric.com
eshop.wieland-electric.com

ja/yes Stoffverbots- und Deklarationsliste nach WN 5020.010 ist einzuhalten.
Conformity with Wieland document 5020.010 e (list of prohibited / declarable hazardous substances) to be declared!

Freitoleranz nach General tolerance		CAD-Zeichnung, keine manuellen Änderungen CAD-Drawing, no manual modifications allowed		1. Verwendung: First Use:		Blatt: Sheet:	
		Werkstoff/ Material		2009 gezeichnet drawn	Tag/ Date 03.12.	Name Viernekäs	
		Maßstab/Scale		geprüft checked		Zeichnung Nr./ Drawing No. T R1.190.0030.0 01K	
				Normgepr. Stand. check		Maße in mm/Dimensions are in mm	
		Datei/ File: 031861_A01K_R1.190.0030.0.DCD		Ersatz für/ Replacement for:			
(a) 19.06.17 Datum/ Blatt Date/ Sheet		www.wieland www.wieland-electric.com		Type		Benennung/ Title Teilespezifikation / Component specification samos PRO Schraubklemme steckbar samos PRO plug-in pcb terminal	
Änderung/ Revision							

Weitergabe sowie Vervielfältigung dieses Dokuments, Verwertung und Mitteilung seines Inhalts sind verboten, soweit nicht ausdrücklich gestattet.
The reproduction, distribution and utilization of this document as well as the communication of its contents to others without express authorization is prohibited.

1
2
3
4
5
6
7
8
9
10
11
12
13
14
15
16
17
18
19
20
M1
M2
M3
L
G
i
11.1
12.1
1.1