



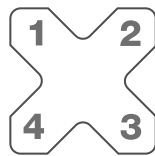
innovative  
enclosure solutions  
for industrial & electronic  
applications

# GENERAL CATALOGUE

Release 21

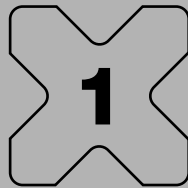






MULTIPLIESTHEEXPERIENCE

## GENERAL INDEX



INDUSTRIAL  
AUTOMATION

SUITE CABINETS E NUX

MONOBLOC CABINETS E MOX

COMPACT SOLUTIONS E COMP

MODULAR SOLUTIONS E NUX

PC CABINETS E NUX

CABINETS

RACK 19" AND NETWORKING SOLUTIONS E NUX

BOXES

WALL-MOUNTING AND TERMINAL BOXES

CONTROL DESKS

CABINET, MONOBLOC AND MODULAR CONTROL DESKS

WE ARE ETA  
PRODUCTS

TECHNICAL SECTION  
INDEX



EXTREME  
CONDITIONS

STAINLESS STEEL SOLUTIONS

OUTDOOR SOLUTIONS E VIS

EMC SOLUTIONS



A COMPLETE  
SYSTEM

CABLE TRAY SYSTEM E RIVI

SUSPENSION ARM SYSTEM

THERMAL MANAGEMENT ETHERMO

## A FAMILY BUSINESS, NOW IN ITS THIRD GENERATION

More than 50 years ago, Antonio Turati introduced his sons to this job by teaching not only the know-how, but above-all the basic matrix methods of analysis, the values and ethics that were the roots of the company.

When, in 1978, his sons founded E.T.A. S.P.A., they thought to dedicate a tribute to their father, thus calling the company "Eredi (Heirs) Turati Antonio". So, Antonio was the first generation; then there was the second generation, the one of his founders, the three brothers who are the soul of the company... And now a valid representation of the third generation is already working in the company.

Since 1978, ETA is at your side to offer something more: a reliable, dedicated and solid company you can count on. A company ready to listen, a team of people that are committed to their job with expertise and passion. Together with you.

Our identity is made up of values and history in evolution, synergy between solid foundation and growth potential, synchrony between experience and innovation; a path that consists of skills, people who have lived a story, that are trusted by customers and business partners and that want to be "ETA".

ETA - a reliable partner at your side.





Headquarters and production unit in Canzo (CO) Italy, focused on the first steps of the manufacturing cycle.



The Turati Family that is leading the company.  
From left side: Cesare, Luigia, Aldo, Antonio, Veronica, Samanta.



## THE VALUES OF A COHESIVE GROUP

Because we believe in what we create together every day

Founded in 1978, in Italy, with 40 years of experience in steel, stainless steel and extruded aluminium production, more than 200 operating staff and 30 million euro turnover, ETA Group represents a safe and recognized benchmark for the global enclosures market as a manufacturer of high quality innovative solutions for Industrial automation, Harsh environments, LV Power distribution and Information technology.

In 2016, ETA is opening its third manufacturing unit, thus proudly widening and covering a total area of 70.000m2. Thanks to this new investment, ETA Group will consist of HQ, 3 manufacturing units and 1 logistic center in Italy, 1 manufacturing unit in Romania, 2 sales subsidiaries in Europe (UK and France), 1 representative office in Saint Petersburg, 1 branch office in Cyprus (for the Middle East market) and an extensive sales network throughout Italy and around the world in more than 40 countries



Production unit and logistic centre in Albavilla (CO) Italy.



Sales subsidiary in UK.



## QUALITY, SUSTAINABLE INNOVATION AND FLEXIBILITY

ETA is an established company that strongly believes in evolution, whose objective is to design and produce high quality enclosure solutions, combining innovation with the experience gained over 35 years of activity.

### innovation

Value of important choices: advanced technology, long-term vision, intuitions, investments and new projects.



### sustainability

We act in a perspective of economic, social and environmental sustainability, according to long-medium term logics.



### flexibility

Flexibility of thought in responding to the needs of a changing market and product flexibility in the customization of standard solutions.



Reliable and competent people you can rely on, constantly monitored business processes, certified products developed through careful design and implementation.

### quality

## YOUR SPECIAL SOLUTION WILL BE OUR STANDARD

When the standard range of enclosures doesn't meet with your application, ETA will work with you in developing a product that best suits your requirements. As your needs change, so do our capabilities: advanced machinery technology for holes and cut-outs, automatic paint systems for alternative RAL colours and finishes, skilled staff to support you in choosing the solution complying with your needs.

This to reach best results and to offer the highest levels of flexibility, efficiency and technical quality.

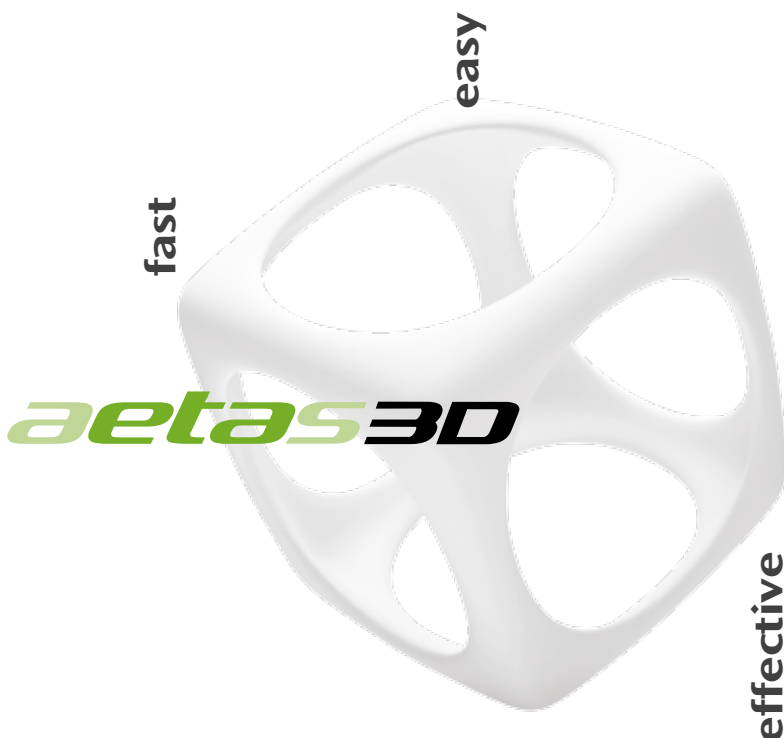
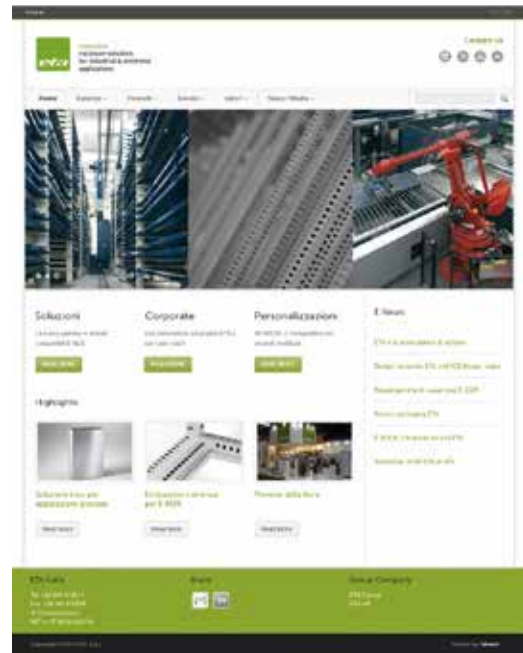
Did you find the appropriate solution in the ETA catalogue?	<b>STANDARD</b>	Thanks to our wide stock availability, simply select the accessories to complete your configuration.
The standard product needs some machining to be in line with your final application?  Small batches of customised products with punching and/or special painting... now you can!	<b>MODIFIED STANDARD</b>	<p><b>WE CAN OFFER:</b></p> <ul style="list-style-type: none"> <li>• Special sizes</li> <li>• Special finishes (RAL colours, special cycles, double colour, double layer)</li> <li>• Holes</li> <li>• Additional studs</li> <li>• Assembly of accessories.</li> </ul> <p>With the online configurator AETAS3D.</p>
Do you have an idea? A project?	<b>SPECIAL</b>	Our technical department is available to design together the product that better meets your needs.



## A CUSTOMER-ORIENTED COMPANY BESIDE YOU

WWW.ETA.IT

Our new website: a clean layout for a unified corporate site for HQ and Subsidiaries, designed to be easily accessible from any device (smartphone, tablet, PC) and easy to navigate. User-friendly interface, up to date contents and global communication more and more updated through the interaction with social media. Beside you wherever you are.



An online configurator designed to optimize the delivery of our standard-modified products: in a few simple steps, you can choose the product, customize it with special holes and painting, download drawings and send the production order. Everything online, without any further steps and in a few minutes!

Thanks to the advanced laser technology of the latest machinery recently installed in ETA and thanks to the use of AETAS3D, your special solution will become our standard.



## FROM IDEA TO PRODUCT SOLUTIONS

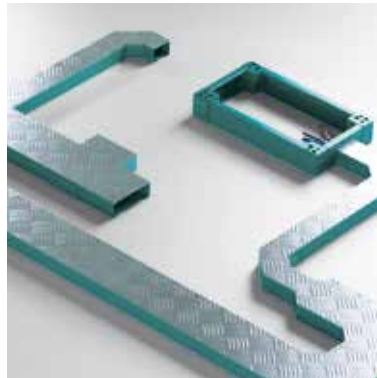
Intuition, inspiration and passion: these are the values that guide us when we create a new product. To ensure the ultimate in design and quality, with Italian vision.

Our selection of standard product range from modular cabinets for the automation market to suite and monobloc cabinets, from solutions for LV distribution to PC cabinets or rack 19" solutions for telecom/networking. In addition to the ranges of cabinets we provide boxes for automation, terminal boxes and control desks. To complete the enclosure package, there are Walk-On cable conduit systems and a Suspension system for command interfaces. Also available are stainless steel solutions for potentially explosive atmospheres, EMC solutions, or enclosures for outdoor applications.

Thanks to the partnership with leading companies in their field, we provide air conditioning Solutions for control panels and Busbar systems, to offer a true one-stop-shop approach for all your enclosure and complimentary accessory requirements.

customisation

innovation



design





**FROM PRODUCT CONCEPT TO PACKAGING**  
When protection is a must...

New packaging was introduced with the new range of suite cabinets E NUX, monobloc cabinets E MOX, compact solutions E COMP and stainless steel boxes E COR.

Designed for maximum performance in terms of protection and differentiation.



**sustainability**

Possibility of reuse from the distributor to the end user.

**functionality**

Greater protection and shock resistance.



**design**

Image and differentiation from the competitors. Stand out from the competition approach.

In line with the corporate philosophy of sustainability we chose to collaborate with local consortium COMIECO (Region Lombardia) who devote particular attention to reducing the environmental impact, recycling and recovery the packaging of cellulose origin.



**comieco**  
Consorzio Nazionale Recupero e Riciclo  
degli Imballaggi a base Cellulosica \*

\* COMIECO National Consortium for recovery and recycling of cellulose-based packaging

research  
 design  
 sustainability  
 functionality  
 flexibility  
 strength

**enUX**

The new shell for automation



New product concept, sturdy construction and accurate design for the new E.T.A. Serie Cabinet System for industrial automation and LV energy distribution: a complete system with a totally new structure and a variety of high-quality solutions delivered according to your requirements thanks to a wide range of accessories and customization capabilities.



www.eta.it



**MULTIPLIESTHEEXPERIENCE**



**INDUSTRIAL  
 AUTOMATION**



**HARSH  
 ENVIRONMENTS**



**LV ENERGY  
 DISTRIBUTION**



**IT  
 BUSINESS**

## INNOVATION THROUGH COMMUNICATION...

In line with the company's philosophy, in recent years it has been implemented a real change of vision in the way of communicating:

- Logo - Launched in 2011, it is a symbol of the company philosophy and it is characterized by a mix of tradition - the green colour - and innovation - a dynamic lettering in order to underline our dynamism and a three-dimensional view to emphasize the concept of new horizons.
- Product Names - The "E" of ETA to feature all the product solutions and the Latin language to both emphasize our origins and communicate the product plus.
- ADV - Each product has a different layout, but consistent with each other, in order to draw the attention and to pass the technical content more effectively.
- General catalogue - Starting from today, our experience will be multiplied across 4 market segments and documentation is evolving in order to meet different targets' needs. The General Catalogue, identified with Release and a number, is presenting ETA enclosure solutions for Industrial Automation and Harsh Environments. The handbook designed for the LV Energy distribution are focused on EN-ERPOWER (Power center & MCC) range. The ABACUS catalogue for Information technology business is dedicated to cabling, server & data center applications.

We're still us, just more "smart"!

**PEOPLE**



**Aldo Turati,**  
*President*



**Luigia Turati,**  
*Managing Director*



**Samanta Turati,**  
*Financial Controller  
Manager*



**Antonio Turati,**  
*Production & Logistics  
Executive director*



**Veronica Turati,**  
*Marketing  
Department*



**Diego Iotti,**  
*Export Manager*



**Norberto Citterio,**  
*National Sales Manager*



**Mauro Lunardi,**  
*Export Area Manager*



**Mauro Rimessi,**  
*Area Manager*



**Mark Greaves,**  
*General Manager  
ETA UK*



**Daniel Cameleyse,**  
*General Manager  
ETA France*



**Elisa Paredi,**  
*Marketing Manager*



**Alessandro Ferrari,**  
*Purchasing Manager*



**Andrea Costamagna,**  
*R&D Technical Manager*



**Barbara Tessari,**  
*QHSE Manager*



**Giorgio Marelli,**  
*TLC Sales Manager*



**Adriano Lanzoni,**  
*Area Manager*



**Cristian Ripamonti,**  
*Area Manager*





**MULTIPLIESTHEEXPERIENCE**

**CABINETS**

**SUITE CABINETS E NUX**

**MONOBLOC CABINETS E MOX**

**COMPACT SOLUTIONS E COMP**

**MODULAR SOLUTIONS E NUX**

**PC CABINETS E NUX**

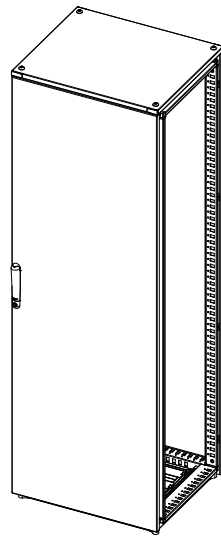
**RACK 19" AND NETWORKING SOLUTIONS E NUX**

Nothing is more critical than your components. At E.T.A. we are constantly aware of that. That's why everything about the new E NUX modular cabinet system is designed with these ideas in mind.

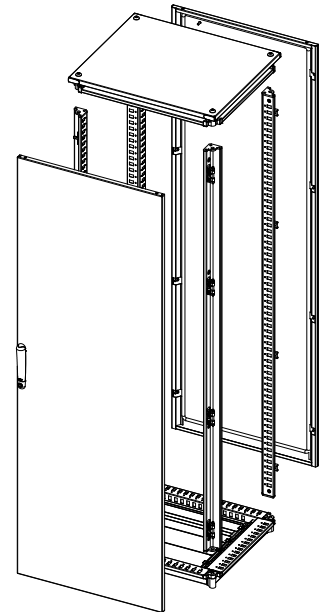
E NUX is produced as a real complete "system" of cabinets for different applications: based on the same E NUX structure (bottom + top + uprights), thanks to a wide range of standard accessories we offer specific versions, fittings and solutions for each need.

**SUPPLY**

**Assembled cabinet**



**Flat-pack cabinet**



**SOLUTIONS**



Blank door



Plexi door



Back/Front door



Double door

**MATERIALS**



Sheet steel



Stainless steel sheet



EMC

APPLICATIONS  
BASED ON E NUX



Automation



Modular / LV Energy



PC



Control desks



Rack 19"

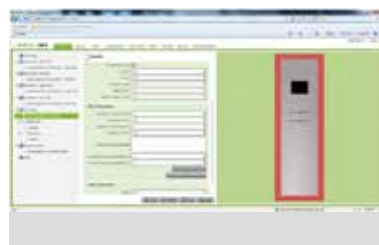


Networking



Pantone 2717U version

AETAS3D



New on-line configurator  
for the easy, fast & effective  
customisation of E NUX  
and ST boxes

CUSTOMISATION



Special painting  
and finishes



Simple and threaded holes  
Wide range of services for  
complete customization



### THE CABINET FOR AUTOMATION

Preserving environmental resources and increasing their value over time; investing in new manufacturing processes with a long-term vision; offering technologically advanced & high-quality enclosure solutions: this is the company philosophy, which is well represented by E NUX, the new modular cabinet system offered by E.T.A.

Innovation is deployed at multiple levels for E NUX: research for environmental protection and efficiency, investments in new high-tech machinery and energy-saving machining processes, new constructive concepts and selection of last-generation high-strength low-alloy steel with high-performance mechanical properties. E NUX cabinet system is a perfect match of made-in-Italy design and Cutting-edge technology and quality features, studied to enhance functionality, protection and versatility of your enclosure solutions.

### BENEFITS

New constructive concepts	Sustainability
New high-strength low-alloy steel	Research and technology
Variety of solutions, configurations and dimensions	Flexibility
Rigid frame profile and sturdy structure	Strength
Innovative latch system	Functionality
Modern clean appearance and high aesthetics	Design
Perfect adherence to industry standards	Safety & reliability





## e NUX

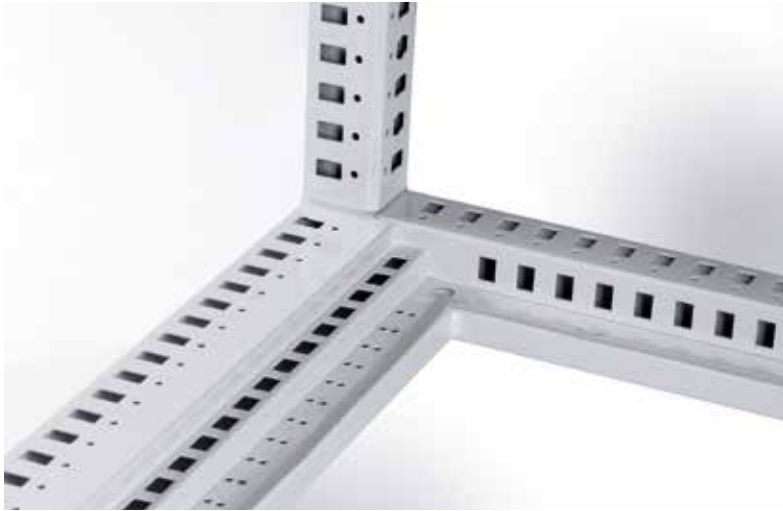
## SUITE CABINET

### FEATURES

- 1 Removable roof to simplify cable management.
- 2 Simple structure assembled with 8 screws only, thanks to the exclusive orthogonal joint manufactured from special steel.
- 3 Sturdy structural uprights manufactured from high-strength low-alloy steel with fiber laser welded closed symmetric profile.
- 4 Besides the E NUX version, a second configuration with simplified door and plate (E NUX simplex) is available for simpler applications.
- 5 New colour for top, plinth and handle (RAL 5020).
- 6 New colour (Pantone 2717U) for top, plinth and handle available as an option.
- 7 Locking system with a unique lever mechanism, unique design and:
  - 3-point locking for H=1400 and 1600
  - 4-point locking for H=1800 and 2000
  - 5-point locking for H=2200
 with possibility to mount different inserts and convenient lock release system of the slave door of the double door cabinet.
- 8 Reversible door with strengthening frame.
- 9 Sturdy panels for high structural stiffness.
- 10 Modular cable entry bottom with adjustable base plates and seal, consisting of one fiber laser-MIG hybrid welded piece with box-type construction manufactured from high-strength low-alloy steel.
- 11 Front-inserted mounting plate, which can be recessed flush with the uprights thanks to the effective sliding guides system integrated in the bottom.
- 12 Easy-to-assemble modular plinth EUZE
  - Possibility to adopt a fully modular Walk-On cable conduit.
  - Wide range of complementary accessories.
  - Wide range of sizes and unified structure for the configuration of automation cabinets, modular solutions, PC enclosures, control desks, 19" rack solutions, and telecom/networking cabinets.

Protection rating: IP55 - Nema 12 - IK10.





**E NUX: SUSTAINABLE,  
STRONG AND PERFORMING CABINET**

**STRENGTH**

Improved mechanical features and higher pulling, twisting, bending resistance thanks to fiber laser welded box-type uprights manufactured from high-strength low-alloy sheet steel and one-piece cable entry bottom, with box-type structure of press-bent fiber laser-MIG hybrid welded profiles of high-strength low-alloy sheet steel. Double cable entry with central partition crosspiece integrated in the bottom for increased sturdiness.



**SAFETY**

Modular cable entry bottom featuring adjustable base plates with metal fixing elements to guarantee automatic grounding: included in the standard supply, adhesive seal for an optimal cable routing to preserve the IP protection degree.



**STURDINESS**

The unique and innovative bending concept of back and side panels with rounded folding, ensures undisputed structural stiffness combined with the benefit of smoother handling and high aesthetics.

**DESIGN**

The E NUX cabinet is characterized by a unique feature: the selected finishing and the new colour impact represent the company's "sustainable" philosophy, while the innovative handle with a unique ergonomic design and soft shapes inspired to the drops of water combines functionality and harmony.

Concept of the handle: de Poorter design.  
Handle selected for ADI Design Index 2013.



**TECHNOLOGY**

Lever-operated opening system with compact internal footprint, easy door release system for the slave door of the double door cabinet: with this opening concept, the operator no longer needs to put a hand into the cabinet and can use the same key as for the master door.



**FLEXIBILITY**

Over 90 standard dimensions, multiple configurations in mounted or flat-pack versions, selection between two different versions, full range of complementary accessories for multiple configurations. E NUX stands out for its wide range of solutions and multiple customization options.



**ASSEMBLED CABINET**

Suite

IMAGES ARE ONLY INTENDED TO ILLUSTRATE THE PRODUCT

DIMENSIONS  
W x H x D

**E NUX**



**CABINET WITH FRONT BLANK DOOR + REAR PANEL (1)**

**CABINET WITH FRONT PLEXI DOOR + REAR PANEL (2)**

**CABINET WITH FRONT BLANK DOOR + REAR BLANK DOOR (3)**

DIMENSIONS W x H x D	CABINET WITH FRONT BLANK DOOR + REAR PANEL (1)	CABINET WITH FRONT PLEXI DOOR + REAR PANEL (2)	CABINET WITH FRONT BLANK DOOR + REAR BLANK DOOR (3)
400 x 1600 x 400	ENUX041604PR		ENUX041604DP
400 x 1600 x 500	ENUX041605PR		ENUX041605DP
400 x 1600 x 600	ENUX041606PR		ENUX041606DP
400 x 1800 x 400	ENUX041804PR		ENUX041804DP
400 x 1800 x 500	ENUX041805PR		ENUX041805DP
400 x 1800 x 600	ENUX041806PR		ENUX041806DP
400 x 1800 x 800	ENUX041808PR		ENUX041808DP
400 x 2000 x 400	ENUX042004PR		ENUX042004DP
400 x 2000 x 500	ENUX042005PR		ENUX042005DP
400 x 2000 x 600	ENUX042006PR		ENUX042006DP
400 x 2000 x 800	ENUX042008PR		ENUX042008DP
400 x 2200 x 500	ENUX042205PR		ENUX042205DP
400 x 2200 x 600	ENUX042206PR		ENUX042206DP
400 x 2200 x 800	ENUX042208PR		ENUX042208DP
600 x 1400 x 400	ENUX061404PR	ENUX061404PV	ENUX061404DP
600 x 1400 x 500	ENUX061405PR	ENUX061405PV	ENUX061405DP
600 x 1600 x 400	ENUX061604PR	ENUX061604PV	ENUX061604DP
600 x 1600 x 500	ENUX061605PR	ENUX061605PV	ENUX061605DP
600 x 1600 x 600	ENUX061606PR	ENUX061606PV	ENUX061606DP
600 x 1800 x 400	ENUX061804PR	ENUX061804PV	ENUX061804DP
600 x 1800 x 500	ENUX061805PR	ENUX061805PV	ENUX061805DP
600 x 1800 x 600	ENUX061806PR	ENUX061806PV	ENUX061806DP
600 x 1800 x 800	ENUX061808PR	ENUX061808PV	ENUX061808DP
600 x 2000 x 400	ENUX062004PR	ENUX062004PV	ENUX062004DP
600 x 2000 x 500	ENUX062005PR	ENUX062005PV	ENUX062005DP
600 x 2000 x 600	ENUX062006PR	ENUX062006PV	ENUX062006DP
600 x 2000 x 800	ENUX062008PR	ENUX062008PV	ENUX062008DP
600 x 2000 x 1000	ENUX062010PR	—	—
600 x 2200 x 500	ENUX062205PR	ENUX062205PV	ENUX062205DP
600 x 2200 x 600	ENUX062206PR	ENUX062206PV	ENUX062206DP
600 x 2200 x 800	ENUX062208PR	ENUX062208PV	ENUX062208DP
800 x 1400 x 400	ENUX081404PR	ENUX081404PV	ENUX081404DP
800 x 1400 x 500	ENUX081405PR	ENUX081405PV	ENUX081405DP
800 x 1600 x 400	ENUX081604PR	ENUX081604PV	ENUX081604DP
800 x 1600 x 500	ENUX081605PR	ENUX081605PV	ENUX081605DP
800 x 1600 x 600	ENUX081606PR	ENUX081606PV	ENUX081606DP
800 x 1800 x 400	ENUX081804PR	ENUX081804PV	ENUX081804DP
800 x 1800 x 500	ENUX081805PR	ENUX081805PV	ENUX081805DP
800 x 1800 x 600	ENUX081806PR	ENUX081806PV	ENUX081806DP
800 x 1800 x 800	ENUX081808PR	ENUX081808PV	ENUX081808DP
800 x 2000 x 400	ENUX082004PR	ENUX082004PV	ENUX082004DP
800 x 2000 x 500	ENUX082005PR	ENUX082005PV	ENUX082005DP
800 x 2000 x 600	ENUX082006PR	ENUX082006PV	ENUX082006DP
800 x 2000 x 800	ENUX082008PR	ENUX082008PV	ENUX082008DP
800 x 2000 x 1000	ENUX082010PR	—	—
800 x 2200 x 500	ENUX082205PR	ENUX082205PV	ENUX082205DP
800 x 2200 x 600	ENUX082206PR	ENUX082206PV	ENUX082206DP
800 x 2200 x 800	ENUX082208PR	ENUX082208PV	ENUX082208DP

### ASSEMBLED CABINET

#### E NUX

IMAGES ARE ONLY INTENDED TO ILLUSTRATE THE PRODUCT



DIMENSIONS  
W x H x D

CABINET WITH  
FRONT BLANK DOOR  
+ REAR PANEL  
(1)

CABINET  
WITH FRONT PLEXI  
DOOR + REAR PANEL  
(2)

CABINET WITH  
FRONT BLANK DOOR  
+ REAR BLANK DOOR  
(3)

1000 x 1600 x 400	ENUX101604PR	ENUX101604PV	ENUX101604DP
1000 x 1600 x 500	ENUX101605PR	ENUX101605PV	ENUX101605DP
1000 x 1600 x 600	ENUX101606PR	ENUX101606PV	ENUX101606DP
1000 x 1800 x 400	ENUX101804PR	ENUX101804PV	ENUX101804DP
1000 x 1800 x 500	ENUX101805PR	ENUX101805PV	ENUX101805DP
1000 x 1800 x 600	ENUX101806PR	ENUX101806PV	ENUX101806DP
1000 x 1800 x 800	ENUX101808PR	ENUX101808PV	ENUX101808DP
1000 x 2000 x 400	ENUX102004PR	ENUX102004PV	ENUX102004DP
1000 x 2000 x 500	ENUX102005PR	ENUX102005PV	ENUX102005DP
1000 x 2000 x 600	ENUX102006PR	ENUX102006PV	ENUX102006DP
1000 x 2000 x 800	ENUX102008PR	ENUX102008PV	ENUX102008DP
1000 x 2200 x 500	ENUX102205PR	ENUX102205PV	ENUX102205DP
1000 x 2200 x 600	ENUX102206PR	ENUX102206PV	ENUX102206DP
1000 x 2200 x 800	ENUX102208PR	ENUX102208PV	ENUX102208DP
1200 x 1400 x 400	ENUX121404PR		ENUX121404DP
1200 x 1400 x 500	ENUX121405PR		ENUX121405DP
1200 x 1600 x 400	ENUX121604PR		ENUX121604DP
1200 x 1600 x 500	ENUX121605PR		ENUX121605DP
1200 x 1600 x 600	ENUX121606PR		ENUX121606DP
1200 x 1800 x 400	ENUX121804PR		ENUX121804DP
1200 x 1800 x 500	ENUX121805PR		ENUX121805DP
1200 x 1800 x 600	ENUX121806PR		ENUX121806DP
1200 x 1800 x 800	ENUX121808PR		ENUX121808DP
1200 x 2000 x 400	ENUX122004PR		ENUX122004DP
1200 x 2000 x 500	ENUX122005PR		ENUX122005DP
1200 x 2000 x 600	ENUX122006PR		ENUX122006DP
1200 x 2000 x 800	ENUX122008PR		ENUX122008DP
1200 x 2000 x 1000	ENUX122010PR		—
1200 x 2200 x 500	ENUX122205PR		ENUX122205DP
1200 x 2200 x 600	ENUX122206PR		ENUX122206DP
1200 x 2200 x 800	ENUX122208PR		ENUX122208DP
1400 x 2000 x 400	ENUX142004PR		ENUX142004DP
1400 x 2000 x 500	ENUX142005PR		ENUX142005DP
1400 x 2000 x 600	ENUX142006PR		ENUX142006DP
1400 x 2000 x 800	ENUX142008PR		ENUX142008DP
1600 x 1400 x 400	ENUX161404PR		ENUX161404DP
1600 x 1400 x 500	ENUX161405PR		ENUX161405DP
1600 x 2000 x 400	ENUX162004PR		ENUX162004DP
1600 x 2000 x 500	ENUX162005PR		ENUX162005DP
1600 x 2000 x 600	ENUX162006PR		ENUX162006DP
1600 x 2000 x 800	ENUX162008PR		ENUX162008DP

(1) supply includes the cabinet frame, blank door and rear panel. To be ordered separately mounting plate, side panels, plinth, eyebolts WTGS-001

(2) supply includes the cabinet frame, plexi door and rear panel. To be ordered separately mounting plate, side panels, plinth, eyebolts WTGS-001

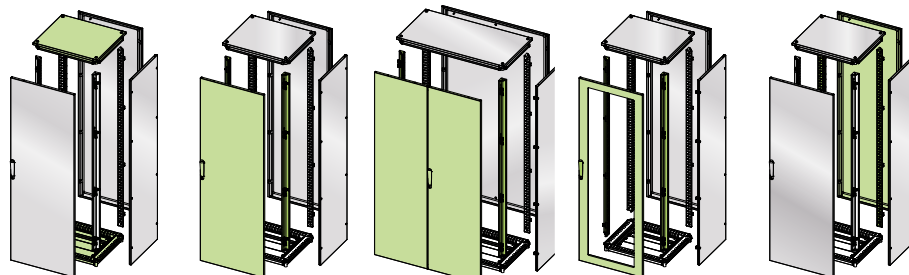
(3) supply includes the cabinet frame, front door and rear door. To be ordered separately mounting plate, side panels, plinth, eyebolts WTGS-001



**FLAT-PACK CABINET**

Suite

IMAGES ARE ONLY INTENDED TO ILLUSTRATE THE PRODUCT

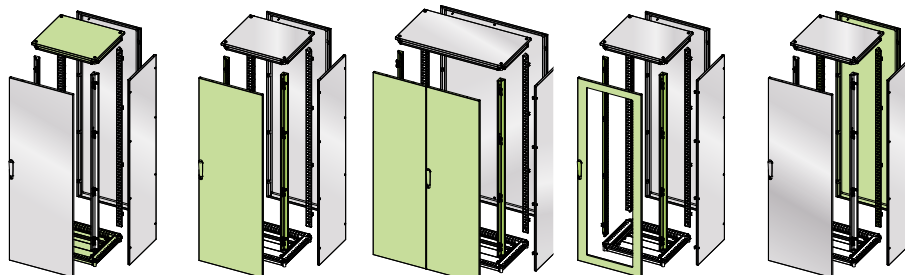


DIMENSIONS W x H x D	ROOF + BOTTOM	FRONT BLANK DOOR + FRONT UPRIGHTS	FRONT BLANK DOOR 500+500 + FRONT UPRIGHTS	PLEXI DOOR + FRONT UPRIGHTS	REAR PANEL + REAR UPRIGHTS
400 x 1600 x 400	EUTF040040	EUP0040160			EURE040160
400 x 1600 x 500	EUTF040050	EUP0040160			EURE040160
400 x 1600 x 600	EUTF040060	EUP0040160			EURE040160
400 x 1800 x 400	EUTF040040	EUP0040180			EURE040180
400 x 1800 x 500	EUTF040050	EUP0040180			EURE040180
400 x 1800 x 600	EUTF040060	EUP0040180			EURE040180
400 x 1800 x 800	EUTF040080	EUP0040180			EURE040180
400 x 2000 x 400	EUTF040040	EUP0040200			EURE040200
400 x 2000 x 500	EUTF040050	EUP0040200			EURE040200
400 x 2000 x 600	EUTF040060	EUP0040200			EURE040200
400 x 2000 x 800	EUTF040080	EUP0040200			EURE040200
400 x 2200 x 500	EUTF040050	EUP0040220			EURE040220
400 x 2200 x 600	EUTF040060	EUP0040220			EURE040220
400 x 2200 x 800	EUTF040080	EUP0040220			EURE040220
600 x 1400 x 400	EUTF060040	EUP0060140		EUPV060140	EURE060140
600 x 1400 x 500	EUTF060050	EUP0060140		EUPV060140	EURE060140
600 x 1600 x 400	EUTF060040	EUP0060160		EUPV060160	EURE060160
600 x 1600 x 500	EUTF060050	EUP0060160		EUPV060160	EURE060160
600 x 1600 x 600	EUTF060060	EUP0060160		EUPV060160	EURE060160
600 x 1800 x 400	EUTF060040	EUP0060180		EUPV060180	EURE060180
600 x 1800 x 500	EUTF060050	EUP0060180		EUPV060180	EURE060180
600 x 1800 x 600	EUTF060060	EUP0060180		EUPV060180	EURE060180
600 x 1800 x 800	EUTF060080	EUP0060180		EUPV060180	EURE060180
600 x 2000 x 400	EUTF060040	EUP0060200		EUPV060200	EURE060200
600 x 2000 x 500	EUTF060050	EUP0060200		EUPV060200	EURE060200
600 x 2000 x 600	EUTF060060	EUP0060200		EUPV060200	EURE060200
600 x 2000 x 800	EUTF060080	EUP0060200		EUPV060200	EURE060200
600 x 2200 x 500	EUTF060050	EUP0060220		EUPV060220	EURE060220
600 x 2200 x 600	EUTF060060	EUP0060220		EUPV060220	EURE060220
600 x 2200 x 800	EUTF060080	EUP0060220		EUPV060220	EURE060220
800 x 1400 x 400	EUTF080040	EUP0080140		EUPV080140	EURE080140
800 x 1400 x 500	EUTF080050	EUP0080140		EUPV080140	EURE080140
800 x 1600 x 400	EUTF080040	EUP0080160		EUPV080160	EURE080160
800 x 1600 x 500	EUTF080050	EUP0080160		EUPV080160	EURE080160
800 x 1600 x 600	EUTF080060	EUP0080160		EUPV080160	EURE080160
800 x 1800 x 400	EUTF080040	EUP0080180		EUPV080180	EURE080180
800 x 1800 x 500	EUTF080050	EUP0080180		EUPV080180	EURE080180
800 x 1800 x 600	EUTF080060	EUP0080180		EUPV080180	EURE080180
800 x 1800 x 800	EUTF080080	EUP0080180		EUPV080180	EURE080180
800 x 2000 x 400	EUTF080040	EUP0080200		EUPV080200	EURE080200
800 x 2000 x 500	EUTF080050	EUP0080200		EUPV080200	EURE080200
800 x 2000 x 600	EUTF080060	EUP0080200		EUPV080200	EURE080200
800 x 2000 x 800	EUTF080080	EUP0080200		EUPV080200	EURE080200
800 x 2200 x 500	EUTF080050	EUP0080220		EUPV080220	EURE080220
800 x 2200 x 600	EUTF080060	EUP0080220		EUPV080220	EURE080220
800 x 2200 x 800	EUTF080080	EUP0080220		EUPV080220	EURE080220



**FLAT-PACK CABINET**

IMAGES ARE ONLY INTENDED TO ILLUSTRATE THE PRODUCT



DIMENSIONS W x H x D	ROOF + BOTTOM	FRONT BLANK DOOR + FRONT UPRIGHTS	FRONT BLANK DOOR 500+500 + FRONT UPRIGHTS	PLEXI DOOR + FRONT UPRIGHTS	REAR PANEL + REAR UPRIGHTS
1000 x 1600 x 400	EUTF100040	EUP0100160	EUP0100160DP	EUPV100160	EURE100160
1000 x 1600 x 500	EUTF100050	EUP0100160	EUP0100160DP	EUPV100160	EURE100160
1000 x 1600 x 600	EUTF100060	EUP0100160	EUP0100160DP	EUPV100160	EURE100160
1000 x 1800 x 400	EUTF100040	EUP0100180	EUP0100180DP	EUPV100180	EURE100180
1000 x 1800 x 500	EUTF100050	EUP0100180	EUP0100180DP	EUPV100180	EURE100180
1000 x 1800 x 600	EUTF100060	EUP0100180	EUP0100180DP	EUPV100180	EURE100180
1000 x 1800 x 800	EUTF100080	EUP0100180	EUP0100180DP	EUPV100180	EURE100180
1000 x 2000 x 400	EUTF100040	EUP0100200	EUP0100200DP	EUPV100200	EURE100200
1000 x 2000 x 500	EUTF100050	EUP0100200	EUP0100200DP	EUPV100200	EURE100200
1000 x 2000 x 600	EUTF100060	EUP0100200	EUP0100200DP	EUPV100200	EURE100200
1000 x 2000 x 800	EUTF100080	EUP0100200	EUP0100200DP	EUPV100200	EURE100200
1000 x 2200 x 500	EUTF100050	EUP0100220	EUP0100220DP	EUPV100220	EURE100220
1000 x 2200 x 600	EUTF100060	EUP0100220	EUP0100220DP	EUPV100220	EURE100220
1000 x 2200 x 800	EUTF100080	EUP0100220	EUP0100220DP	EUPV100220	EURE100220
1200 x 1400 x 400	EUTF120040	EUP0120140			EURE120140
1200 x 1400 x 500	EUTF120050	EUP0120140			EURE120140
1200 x 1600 x 400	EUTF120040	EUP0120160			EURE120160
1200 x 1600 x 500	EUTF120050	EUP0120160			EURE120160
1200 x 1600 x 600	EUTF120060	EUP0120160			EURE120160
1200 x 1800 x 400	EUTF120040	EUP0120180			EURE120180
1200 x 1800 x 500	EUTF120050	EUP0120180			EURE120180
1200 x 1800 x 600	EUTF120060	EUP0120180			EURE120180
1200 x 1800 x 800	EUTF120080	EUP0120180			EURE120180
1200 x 2000 x 400	EUTF120040	EUP0120200			EURE120200
1200 x 2000 x 500	EUTF120050	EUP0120200			EURE120200
1200 x 2000 x 600	EUTF120060	EUP0120200			EURE120200
1200 x 2000 x 800	EUTF120080	EUP0120200			EURE120200
1200 x 2200 x 500	EUTF120050	EUP0120220			EURE120220
1200 x 2200 x 600	EUTF120060	EUP0120220			EURE120220
1200 x 2200 x 800	EUTF120080	EUP0120220			EURE120220
1400 x 2000 x 400	EUTF140040	EUP0140200			EURE140200
1400 x 2000 x 500	EUTF140050	EUP0140200			EURE140200
1400 x 2000 x 600	EUTF140060	EUP0140200			EURE140200
1400 x 2000 x 800	EUTF140080	EUP0140200			EURE140200
1600 x 1400 x 400	EUTF160040	EUP0160140			EURE160140
1600 x 1400 x 500	EUTF160050	EUP0160140			EURE160140
1600 x 2000 x 400	EUTF160040	EUP0160200			EURE160200
1600 x 2000 x 500	EUTF160050	EUP0160200			EURE160200
1600 x 2000 x 600	EUTF160060	EUP0160200			EURE160200
1600 x 2000 x 800	EUTF160080	EUP0160200			EURE160200



### ACCESSORIES TO COMPLETE THE CABINET

Suite

IMAGES ARE ONLY INTENDED TO ILLUSTRATE THE PRODUCT



DIMENSIONS W X H X D	FRONT INSERTED MOUNTING PLATE (5)	SIDE PANELS (6)	PLINTH H=100 UNIVERSAL CORNER PIECES (7)	PLINTH H=100 FRONT/REAR CROSSPIECES (8)	PLINTH H=100 SIDE CROSSPIECES (9)	
200 x 1800 x 500						
200 x 2000 x 600						
300 x 1600 x 400			EUFI040160	EUZE-A100	EUZE-T0300	EUZE-T0400
300 x 1600 x 500			EUFI050160	EUZE-A100	EUZE-T0300	EUZE-T0500
300 x 1600 x 600			EUFI060160	EUZE-A100	EUZE-T0300	EUZE-T0600
300 x 1800 x 400			EUFI040180	EUZE-A100	EUZE-T0300	EUZE-T0400
300 x 1800 x 500			EUFI050180	EUZE-A100	EUZE-T0300	EUZE-T0500
300 x 1800 x 600			EUFI060180	EUZE-A100	EUZE-T0300	EUZE-T0600
300 x 1800 x 800			EUFI080180	EUZE-A100	EUZE-T0300	EUZE-T0800
300 x 2000 x 400			EUFI040200	EUZE-A100	EUZE-T0300	EUZE-T0400
300 x 2000 x 500			EUFI050200	EUZE-A100	EUZE-T0300	EUZE-T0500
300 x 2000 x 600			EUFI060200	EUZE-A100	EUZE-T0300	EUZE-T0600
300 x 2000 x 800			EUFI080200	EUZE-A100	EUZE-T0300	EUZE-T0800
300 x 2200 x 500			EUFI050220	EUZE-A100	EUZE-T0300	EUZE-T0500
300 x 2200 x 600			EUFI060220	EUZE-A100	EUZE-T0300	EUZE-T0600
300 x 2200 x 800			EUFI080220	EUZE-A100	EUZE-T0300	EUZE-T0800
400 x 1600 x 400	EUPA-040160	EUFI040160	EUZE-A100	EUZE-T0400	EUZE-T0400	
400 x 1600 x 500	EUPA-040160	EUFI050160	EUZE-A100	EUZE-T0400	EUZE-T0500	
400 x 1600 x 600	EUPA-040160	EUFI060160	EUZE-A100	EUZE-T0400	EUZE-T0600	
400 x 1800 x 400	EUPA-040180	EUFI040180	EUZE-A100	EUZE-T0400	EUZE-T0400	
400 x 1800 x 500	EUPA-040180	EUFI050180	EUZE-A100	EUZE-T0400	EUZE-T0500	
400 x 1800 x 600	EUPA-040180	EUFI060180	EUZE-A100	EUZE-T0400	EUZE-T0600	
400 x 1800 x 800	EUPA-040180	EUFI080180	EUZE-A100	EUZE-T0400	EUZE-T0800	
400 x 2000 x 400	EUPA-040200	EUFI040200	EUZE-A100	EUZE-T0400	EUZE-T0400	
400 x 2000 x 500	EUPA-040200	EUFI050200	EUZE-A100	EUZE-T0400	EUZE-T0500	
400 x 2000 x 600	EUPA-040200	EUFI060200	EUZE-A100	EUZE-T0400	EUZE-T0600	
400 x 2000 x 800	EUPA-040200	EUFI080200	EUZE-A100	EUZE-T0400	EUZE-T0800	
400 x 2200 x 500	EUPA-040220	EUFI050220	EUZE-A100	EUZE-T0400	EUZE-T0500	
400 x 2200 x 600	EUPA-040220	EUFI060220	EUZE-A100	EUZE-T0400	EUZE-T0600	
400 x 2200 x 800	EUPA-040220	EUFI080220	EUZE-A100	EUZE-T0400	EUZE-T0800	
600 x 1400 x 400	EUPA-060140	EUFI040140	EUZE-A100	EUZE-T0600	EUZE-T0400	
600 x 1400 x 500	EUPA-060140	EUFI050140	EUZE-A100	EUZE-T0600	EUZE-T0500	
600 x 1600 x 400	EUPA-060160	EUFI040160	EUZE-A100	EUZE-T0600	EUZE-T0400	
600 x 1600 x 500	EUPA-060160	EUFI050160	EUZE-A100	EUZE-T0600	EUZE-T0500	
600 x 1600 x 600	EUPA-060160	EUFI060160	EUZE-A100	EUZE-T0600	EUZE-T0600	
600 x 1800 x 400	EUPA-060180	EUFI040180	EUZE-A100	EUZE-T0600	EUZE-T0400	
600 x 1800 x 500	EUPA-060180	EUFI050180	EUZE-A100	EUZE-T0600	EUZE-T0500	
600 x 1800 x 600	EUPA-060180	EUFI060180	EUZE-A100	EUZE-T0600	EUZE-T0600	
600 x 1800 x 800	EUPA-060180	EUFI080180	EUZE-A100	EUZE-T0600	EUZE-T0800	
600 x 2000 x 400	EUPA-060200	EUFI040200	EUZE-A100	EUZE-T0600	EUZE-T0400	
600 x 2000 x 500	EUPA-060200	EUFI050200	EUZE-A100	EUZE-T0600	EUZE-T0500	
600 x 2000 x 600	EUPA-060200	EUFI060200	EUZE-A100	EUZE-T0600	EUZE-T0600	
600 x 2000 x 800	EUPA-060200	EUFI080200	EUZE-A100	EUZE-T0600	EUZE-T0800	
600 x 2000 x 1000	EUPA-060200	EUFI100200	EUZE-A100	EUZE-T0600	EUZE-T1000	
600 x 2200 x 500	EUPA-060220	EUFI050220	EUZE-A100	EUZE-T0600	EUZE-T0500	
600 x 2200 x 600	EUPA-060220	EUFI060220	EUZE-A100	EUZE-T0600	EUZE-T0600	
600 x 2200 x 800	EUPA-060220	EUFI080220	EUZE-A100	EUZE-T0600	EUZE-T0800	

(5) to be ordered separately mounting accessories WTKB-002  
 (6) supply includes 2 pieces  
 (7) supply includes 4 pieces

(8) supply includes 2 pieces  
 (9) supply includes 2 pieces





MAIN ACCESSORIES

IMAGES ARE ONLY INTENDED TO ILLUSTRATE THE PRODUCT							
	DIMENSIONS W x H x D	CABLE ENTRY MODULE FRONT OPENING (3) (4)	CABLE ENTRY MODULE SIDE OPENING W=200/300	INTERMEDIATE PLATE	SIDE INSERTED MOUNTING PLATE	INNER DOOR	FAST FIXING BRACKETS H=25 MM (10)
200 x 1800 x 500			EURP021805				
200 x 2000 x 600			EURP022006				
300 x 1600 x 400	ENUX031604						
300 x 1600 x 500	ENUX031605						
300 x 1600 x 600	ENUX031606						
300 x 1800 x 400	ENUX031804						
300 x 1800 x 500	ENUX031805		EURP031805				
300 x 1800 x 600	ENUX031806		EURP031806				
300 x 1800 x 800	ENUX031808		EURP031808				
300 x 2000 x 400	ENUX032004						
300 x 2000 x 500	ENUX032005		EURP032005				
300 x 2000 x 600	ENUX032006		EURP032006				
300 x 2000 x 800	ENUX032008		EURP032008				
300 x 2200 x 500	ENUX032205						
300 x 2200 x 600	ENUX032206						
300 x 2200 x 800	ENUX032208						
400 x 1600 x 400			EUPN-001600	EUPL-040160			WTPR-025040R
400 x 1600 x 500			EUPN-001600	EUPL-040160			WTPR-025050R
400 x 1600 x 600			EUPN-001600	EUPL-040160			WTPR-025060R
400 x 1800 x 400			EUPN-001800	EUPL-040180			WTPR-025040R
400 x 1800 x 500			EUPN-001800	EUPL-040180			WTPR-025050R
400 x 1800 x 600			EUPN-001800	EUPL-040180			WTPR-025060R
400 x 1800 x 800			EUPN-001800	EUPL-040180			WTPR-025080R
400 x 2000 x 400			EUPN-002000	EUPL-040200			WTPR-025040R
400 x 2000 x 500			EUPN-002000	EUPL-040200			WTPR-025050R
400 x 2000 x 600			EUPN-002000	EUPL-040200			WTPR-025060R
400 x 2000 x 800			EUPN-002000	EUPL-040200			WTPR-025080R
400 x 2200 x 500			EUPN-002200	EUPL-040220			WTPR-025050R
400 x 2200 x 600			EUPN-002200	EUPL-040220			WTPR-025060R
400 x 2200 x 800			EUPN-002200	EUPL-040220			WTPR-025080R
600 x 1400 x 400			EUPN-001400	EUPL-060140	EUPI060140		WTPR-025040R
600 x 1400 x 500			EUPN-001400	EUPL-060140	EUPI060140		WTPR-025050R
600 x 1600 x 400			EUPN-001600	EUPL-060160	EUPI060160		WTPR-025040R
600 x 1600 x 500			EUPN-001600	EUPL-060160	EUPI060160		WTPR-025050R
600 x 1600 x 600			EUPN-001600	EUPL-060160	EUPI060160		WTPR-025060R
600 x 1800 x 400			EUPN-001800	EUPL-060180	EUPI060180		WTPR-025040R
600 x 1800 x 500			EUPN-001800	EUPL-060180	EUPI060180		WTPR-025050R
600 x 1800 x 600			EUPN-001800	EUPL-060180	EUPI060180		WTPR-025060R
600 x 1800 x 800			EUPN-001800	EUPL-060180	EUPI060180		WTPR-025080R
600 x 2000 x 400			EUPN-002000	EUPL-060200	EUPI060200		WTPR-025040R
600 x 2000 x 500			EUPN-002000	EUPL-060200	EUPI060200		WTPR-025050R
600 x 2000 x 600			EUPN-002000	EUPL-060200	EUPI060200		WTPR-025060R
600 x 2000 x 800			EUPN-002000	EUPL-060200	EUPI060200		WTPR-025080R
600 x 2000 x 1000			EUPN-002000	EUPL-060200	EUPI060200		WTPR-025100R
600 x 2200 x 500			EUPN-002200	EUPL-060220	EUPI060220		WTPR-025050R
600 x 2200 x 600			EUPN-002200	EUPL-060220	EUPI060220		WTPR-025060R
600 x 2200 x 800			EUPN-002200	EUPL-060220	EUPI060220		WTPR-025080R

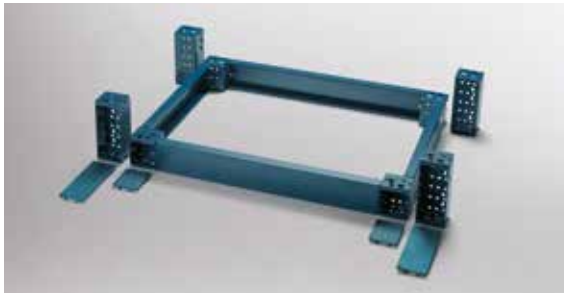
(3) for the flat-pack version, see page 42

(4) supply includes cabinet frame, front door and rear panel. To be ordered separately plinth, side panels and eyebolts WTGS-001

(10) supply includes 4 pieces

**ACCESSORIES TO COMPLETE THE CABINET**

IMAGES ARE ONLY INTENDED TO ILLUSTRATE THE PRODUCT



DIMENSIONS W x H x D	FRONT INSERTED MOUNTING PLATE (5)	SIDE PANELS (6)	PLINTH H=100 UNIVERSAL CORNER PIECES (7)	PLINTH H=100 FRONT/REAR CROSSPIECES (8)	PLINTH H=100 SIDE CROSSPIECES (9)
800 x 1400 x 400	EUPA-080140	EUFIO40140	EUZE-A100	EUZE-T0800	EUZE-T0400
800 x 1400 x 500	EUPA-080140	EUFIO50140	EUZE-A100	EUZE-T0800	EUZE-T0500
800 x 1600 x 400	EUPA-080160	EUFIO40160	EUZE-A100	EUZE-T0800	EUZE-T0400
800 x 1600 x 500	EUPA-080160	EUFIO50160	EUZE-A100	EUZE-T0800	EUZE-T0500
800 x 1600 x 600	EUPA-080160	EUFIO60160	EUZE-A100	EUZE-T0800	EUZE-T0600
800 x 1800 x 400	EUPA-080180	EUFIO40180	EUZE-A100	EUZE-T0800	EUZE-T0400
800 x 1800 x 500	EUPA-080180	EUFIO50180	EUZE-A100	EUZE-T0800	EUZE-T0500
800 x 1800 x 600	EUPA-080180	EUFIO60180	EUZE-A100	EUZE-T0800	EUZE-T0600
800 x 1800 x 800	EUPA-080180	EUFIO80180	EUZE-A100	EUZE-T0800	EUZE-T0800
800 x 2000 x 400	EUPA-080200	EUFIO40200	EUZE-A100	EUZE-T0800	EUZE-T0400
800 x 2000 x 500	EUPA-080200	EUFIO50200	EUZE-A100	EUZE-T0800	EUZE-T0500
800 x 2000 x 600	EUPA-080200	EUFIO60200	EUZE-A100	EUZE-T0800	EUZE-T0600
800 x 2000 x 800	EUPA-080200	EUFIO80200	EUZE-A100	EUZE-T0800	EUZE-T0800
800 x 2000 x 1000	EUPA-080200	EUFIO100200	EUZE-A100	EUZE-T0800	EUZE-T1000
800 x 2200 x 500	EUPA-080220	EUFIO50220	EUZE-A100	EUZE-T0800	EUZE-T0500
800 x 2200 x 600	EUPA-080220	EUFIO60220	EUZE-A100	EUZE-T0800	EUZE-T0600
800 x 2200 x 800	EUPA-080220	EUFIO80220	EUZE-A100	EUZE-T0800	EUZE-T0800
1000 x 1600 x 400	EUPA-100160	EUFIO40160	EUZE-A100	EUZE-T1000	EUZE-T0400
1000 x 1600 x 500	EUPA-100160	EUFIO50160	EUZE-A100	EUZE-T1000	EUZE-T0500
1000 x 1600 x 600	EUPA-100160	EUFIO60160	EUZE-A100	EUZE-T1000	EUZE-T0600
1000 x 1800 x 400	EUPA-100180	EUFIO40180	EUZE-A100	EUZE-T1000	EUZE-T0400
1000 x 1800 x 500	EUPA-100180	EUFIO50180	EUZE-A100	EUZE-T1000	EUZE-T0500
1000 x 1800 x 600	EUPA-100180	EUFIO60180	EUZE-A100	EUZE-T1000	EUZE-T0600
1000 x 1800 x 800	EUPA-100180	EUFIO80180	EUZE-A100	EUZE-T1000	EUZE-T0800
1000 x 2000 x 400	EUPA-100200	EUFIO40200	EUZE-A100	EUZE-T1000	EUZE-T0400
1000 x 2000 x 500	EUPA-100200	EUFIO50200	EUZE-A100	EUZE-T1000	EUZE-T0500
1000 x 2000 x 600	EUPA-100200	EUFIO60200	EUZE-A100	EUZE-T1000	EUZE-T0600
1000 x 2000 x 800	EUPA-100200	EUFIO80200	EUZE-A100	EUZE-T1000	EUZE-T0800
1000 x 2200 x 500	EUPA-100220	EUFIO50220	EUZE-A100	EUZE-T1000	EUZE-T0500
1000 x 2200 x 600	EUPA-100220	EUFIO60220	EUZE-A100	EUZE-T1000	EUZE-T0600
1000 x 2200 x 800	EUPA-100220	EUFIO80220	EUZE-A100	EUZE-T1000	EUZE-T0800

(5) to be ordered separately mounting accessories WTKB-002  
 (6) supply includes 2 pieces  
 (7) supply includes 4 pieces

(8) supply includes 2 pieces  
 (9) supply includes 2 pieces

### MAIN ACCESSORIES

DIMENSIONS W x H x D	IMAGES ARE ONLY INTENDED TO ILLUSTRATE THE PRODUCT					
	CABLE ENTRY MODULE FRONT OPENING (3) (4)	CABLE ENTRY MODULE SIDE OPENING W=200/300	INTERMEDIATE PLATE	SIDE INSERTED MOUNTING PLATE	INNER DOOR	FAST FIXING BRACKETS H=25 MM (10)
800 x 1400 x 400			EUPN-001400	EUPL-080140	EUPI080140	WTPR-025040R
800 x 1400 x 500			EUPN-001400	EUPL-080140	EUPI080140	WTPR-025050R
800 x 1600 x 400			EUPN-001600	EUPL-080160	EUPI080160	WTPR-025040R
800 x 1600 x 500			EUPN-001600	EUPL-080160	EUPI080160	WTPR-025050R
800 x 1600 x 600			EUPN-001600	EUPL-080160	EUPI080160	WTPR-025060R
800 x 1800 x 400			EUPN-001800	EUPL-080180	EUPI080180	WTPR-025040R
800 x 1800 x 500			EUPN-001800	EUPL-080180	EUPI080180	WTPR-025050R
800 x 1800 x 600			EUPN-001800	EUPL-080180	EUPI080180	WTPR-025060R
800 x 1800 x 800			EUPN-001800	EUPL-080180	EUPI080180	WTPR-025080R
800 x 2000 x 400			EUPN-002000	EUPL-080200	EUPI080200	WTPR-025040R
800 x 2000 x 500			EUPN-002000	EUPL-080200	EUPI080200	WTPR-025050R
800 x 2000 x 600			EUPN-002000	EUPL-080200	EUPI080200	WTPR-025060R
800 x 2000 x 800			EUPN-002000	EUPL-080200	EUPI080200	WTPR-025080R
800 x 2000 x 1000			EUPN-002000	EUPL-080200	EUPI080200	WTPR-025100R
800 x 2200 x 500			EUPN-002200	EUPL-080220	EUPI080220	WTPR-025050R
800 x 2200 x 600			EUPN-002200	EUPL-080220	EUPI080220	WTPR-025060R
800 x 2200 x 800			EUPN-002200	EUPL-080220	EUPI080220	WTPR-025080R
1000 x 1600 x 400			EUPN-001600	EUPL-100160	EUPI100160	WTPR-025040R
1000 x 1600 x 500			EUPN-001600	EUPL-100160	EUPI100160	WTPR-025050R
1000 x 1600 x 600			EUPN-001600	EUPL-100160	EUPI100160	WTPR-025060R
1000 x 1800 x 400			EUPN-001800	EUPL-100180	EUPI100180	WTPR-025040R
1000 x 1800 x 500			EUPN-001800	EUPL-100180	EUPI100180	WTPR-025050R
1000 x 1800 x 600			EUPN-001800	EUPL-100180	EUPI100180	WTPR-025060R
1000 x 1800 x 800			EUPN-001800	EUPL-100180	EUPI100180	WTPR-025080R
1000 x 2000 x 400			EUPN-002000	EUPL-100200	EUPI100200	WTPR-025040R
1000 x 2000 x 500			EUPN-002000	EUPL-100200	EUPI100200	WTPR-025050R
1000 x 2000 x 600			EUPN-002000	EUPL-100200	EUPI100200	WTPR-025060R
1000 x 2000 x 800			EUPN-002000	EUPL-100200	EUPI100200	WTPR-025080R
1000 x 2200 x 500			EUPN-002200	EUPL-100220	EUPI100220	WTPR-025050R
1000 x 2200 x 600			EUPN-002200	EUPL-100220	EUPI100220	WTPR-025060R
1000 x 2200 x 800			EUPN-002200	EUPL-100220	EUPI100220	WTPR-025080R

(3) for the flat-pack version, see page 42

(4) supply includes cabinet frame, front door and rear panel. To be ordered separately plinth, side panels and eyebolts WTGS-001

(10) supply includes 4 pieces

**ACCESSORIES TO COMPLETE THE CABINET**

DIMENSIONS W x H x D	IMAGES ARE ONLY INTENDED TO ILLUSTRATE THE PRODUCT				
	FRONT INSERTED MOUNTING PLATE (5)	SIDE PANELS (6)	PLINTH H=100 UNIVERSAL CORNER PIECES (7)	PLINTH H=100 FRONT/REAR CROSSPIECES (8)	PLINTH H=100 SIDE CROSSPIECES (9)
1200 x 1400 x 400	EUPA-120140	EUF1040140	EUZE-A100	EUZE-T1200	EUZE-T0400
1200 x 1400 x 500	EUPA-120140	EUF1050140	EUZE-A100	EUZE-T1200	EUZE-T0500
1200 x 1600 x 400	EUPA-120160	EUF1040160	EUZE-A100	EUZE-T1200	EUZE-T0400
1200 x 1600 x 500	EUPA-120160	EUF1050160	EUZE-A100	EUZE-T1200	EUZE-T0500
1200 x 1600 x 600	EUPA-120160	EUF1060160	EUZE-A100	EUZE-T1200	EUZE-T0600
1200 x 1800 x 400	EUPA-120180	EUF1040180	EUZE-A100	EUZE-T1200	EUZE-T0400
1200 x 1800 x 500	EUPA-120180	EUF1050180	EUZE-A100	EUZE-T1200	EUZE-T0500
1200 x 1800 x 600	EUPA-120180	EUF1060180	EUZE-A100	EUZE-T1200	EUZE-T0600
1200 x 1800 x 800	EUPA-120180	EUF1080180	EUZE-A100	EUZE-T1200	EUZE-T0800
1200 x 2000 x 400	EUPA-120200	EUF1040200	EUZE-A100	EUZE-T1200	EUZE-T0400
1200 x 2000 x 500	EUPA-120200	EUF1050200	EUZE-A100	EUZE-T1200	EUZE-T0500
1200 x 2000 x 600	EUPA-120200	EUF1060200	EUZE-A100	EUZE-T1200	EUZE-T0600
1200 x 2000 x 800	EUPA-120200	EUF1080200	EUZE-A100	EUZE-T1200	EUZE-T0800
1200 x 2000 x 1000	EUPA-120200	EUF1100200	EUZE-A100	EUZE-T1200	EUZE-T1000
1200 x 2200 x 500	EUPA-120220	EUF1050220	EUZE-A100	EUZE-T1200	EUZE-T0500
1200 x 2200 x 600	EUPA-120220	EUF1060220	EUZE-A100	EUZE-T1200	EUZE-T0600
1200 x 2200 x 800	EUPA-120220	EUF1080220	EUZE-A100	EUZE-T1200	EUZE-T0800
1400 x 2000 x 400	EUPA-140200	EUF1040200	EUZE-A100	EUZE-T1400	EUZE-T0400
1400 x 2000 x 500	EUPA-140200	EUF1050200	EUZE-A100	EUZE-T1400	EUZE-T0500
1400 x 2000 x 600	EUPA-140200	EUF1060200	EUZE-A100	EUZE-T1400	EUZE-T0600
1400 x 2000 x 800	EUPA-140200	EUF1080200	EUZE-A100	EUZE-T1400	EUZE-T0800
1600 x 1400 x 400	EUPA-160140	EUF1040140	EUZE-A100	EUZE-T1600	EUZE-T0400
1600 x 1400 x 500	EUPA-160140	EUF1050140	EUZE-A100	EUZE-T1600	EUZE-T0500
1600 x 2000 x 400	EUPA-160200	EUF1040200	EUZE-A100	EUZE-T1600	EUZE-T0400
1600 x 2000 x 500	EUPA-160200	EUF1050200	EUZE-A100	EUZE-T1600	EUZE-T0500
1600 x 2000 x 600	EUPA-160200	EUF1060200	EUZE-A100	EUZE-T1600	EUZE-T0600
1600 x 2000 x 800	EUPA-160200	EUF1080200	EUZE-A100	EUZE-T1600	EUZE-T0800

(5) to be ordered separately mounting accessories WTKB-002


(6) supply includes 2 pieces

(7) supply includes 4 pieces

(8) supply includes 2 pieces

(9) supply includes 2 pieces

MAIN ACCESSORIES

IMAGES ARE ONLY INTENDED TO ILLUSTRATE THE PRODUCT						
DIMENSIONS W x H x D	CABLE ENTRY MODULE FRONT OPENING (3) (4)	CABLE ENTRY MODULE SIDE OPENING W=200/300	INTERMEDIATE PLATE	SIDE INSERTED MOUNTING PLATE	INNER DOOR	FAST FIXING BRACKETS H=25 MM (10)
1200 x 1400 x 400			EUPN-001400	EUPL-120140		WTPR-025040R
1200 x 1400 x 500			EUPN-001400	EUPL-120140		WTPR-025050R
1200 x 1600 x 400			EUPN-001600	EUPL-120160		WTPR-025040R
1200 x 1600 x 500			EUPN-001600	EUPL-120160		WTPR-025050R
1200 x 1600 x 600			EUPN-001600	EUPL-120160		WTPR-025060R
1200 x 1800 x 400			EUPN-001800	EUPL-120180		WTPR-025040R
1200 x 1800 x 500			EUPN-001800	EUPL-120180		WTPR-025050R
1200 x 1800 x 600			EUPN-001800	EUPL-120180		WTPR-025060R
1200 x 1800 x 800			EUPN-001800	EUPL-120180		WTPR-025080R
1200 x 2000 x 400			EUPN-002000	EUPL-120200		WTPR-025040R
1200 x 2000 x 500			EUPN-002000	EUPL-120200		WTPR-025050R
1200 x 2000 x 600			EUPN-002000	EUPL-120200		WTPR-025060R
1200 x 2000 x 800			EUPN-002000	EUPL-120200		WTPR-025080R
1200 x 2200 x 500			EUPN-002200	EUPL-120220		WTPR-025050R
1200 x 2200 x 600			EUPN-002200	EUPL-120220		WTPR-025060R
1200 x 2200 x 800			EUPN-002200	EUPL-120220		WTPR-025080R
1400 x 2000 x 400			EUPN-002000	EUPL-140200		WTPR-025040R
1400 x 2000 x 500			EUPN-002000	EUPL-140200		WTPR-025050R
1400 x 2000 x 600			EUPN-002000	EUPL-140200		WTPR-025060R
1400 x 2000 x 800			EUPN-002000	EUPL-140200		WTPR-025080R
1600 x 1400 x 400			EUPN-001400	EUPL-160140		WTPR-025040R
1600 x 1400 x 500			EUPN-001400	EUPL-160140		WTPR-025050R
1600 x 2000 x 400			EUPN-002000	EUPL-160200		WTPR-025040R
1600 x 2000 x 500			EUPN-002000	EUPL-160200		WTPR-025050R
1600 x 2000 x 600			EUPN-002000	EUPL-160200		WTPR-025060R
1600 x 2000 x 800			EUPN-002000	EUPL-160200		WTPR-025080R

(3) for the flat-pack version, see page 42

(10) supply includes 4 pieces

(4) supply includes cabinet frame, front door and rear panel. To be ordered separately plinth, side panels and eyebolts WTGS-001



Suite



**CHARACTERISTICS**

The profile used for uprights and crosspieces is unique, manufactured from high-strength low-alloy sheet steel, closed with continuous fiber laser welding and free of sharp edges. The bottom is a single piece with box-type structure manufactured from press-bent fiber laser-MIG hybrid welded profiles manufactured from high-strength low-alloy sheet steel. The frame corners are manufactured with orthogonal joints laser welded to vertical upright rails and horizontal rails for the roof and bottom. Only 8 high resistance screws are necessary to mount the structure, while two position pins allow the easy mounting of the two parts of the joint.

**PAINT FINISH**

- ETA standard epoxy polyester powder coating.
- structure: RAL 7035 smooth finish
- door and rear panel: RAL 7035 textured finish
- roof: RAL 5020 textured finish.

**ASSEMBLED E NUX CABINET**

- structure manufactured from high-strength low-alloy sheet steel
- door manufactured from 2.0 mm thick sheet steel with stiffening frame, complete with ø 3 mm lever-operated double bar locking system
- rear panel manufactured from sheet steel with rounded folding
- removable roof manufactured from sheet steel
- bottom manufactured from high-strength low-alloy sheet steel with adjustable cable entry (double cable entry for W=1000), complete with seal supplied separately.

**FLAT-PACK E NUX CABINET  
(ASSEMBLY WITH 8 SCREWS ONLY)**

- composition to be assembled complying with customers requests
- panels and doors are supplied together with two vertical uprights complete with accessories.

**PROTECTION RATING**

- IP55 complying with IEC EN62208; EN60529
- NEMA 12 complying with UL508A; UL50
- protection degree guaranteed by the two-component polyurethane foam seal
- impact resistance IK10 complying with IEC EN62208; EN62262.

**Note:** for further information, see the Technical section page 327.



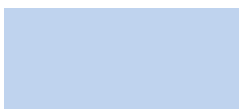
- E NUX accessories, see page 45
- EUPA front inserted mounting plate, see page 46
- EUFI side panels, see page 57
- EUZE modular plinth, see page 58
- WTGS-001 eyebolts, see page 70



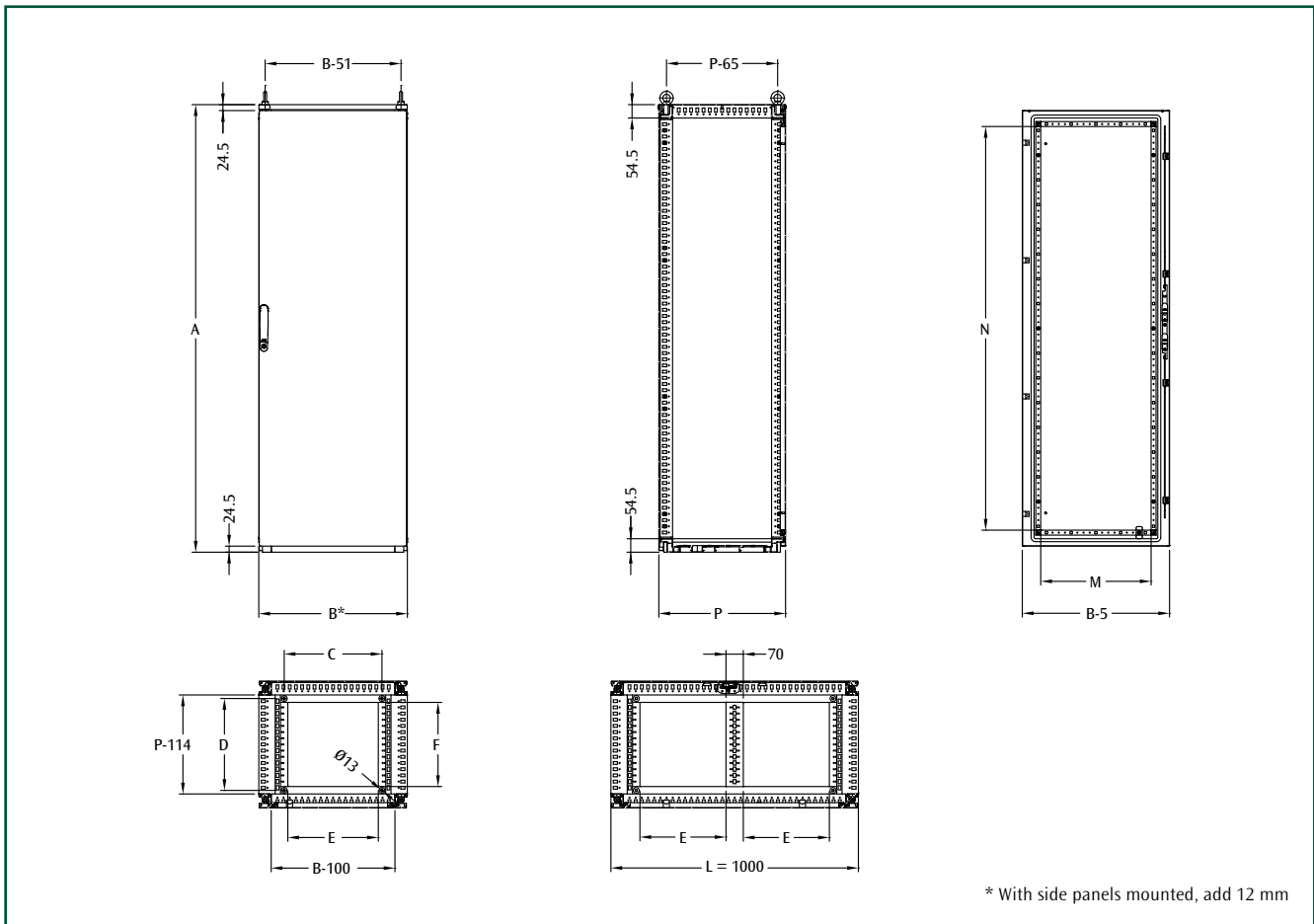
RAL 7035



RAL 5020



Pantone 2717U



Note: for W=400, only stiffening vertical profiles.

Suite

DIMENSIONAL SPECIFICATIONS											
DIMENSIONS			CABINET DIMENSIONS			FLOOR FIXING		CABLE ENTRY		DOOR SPACE	
WIDTH	HEIGHT	DEPTH	B*	A	P	C	D	E	F	M	N
400	1600	400	400	1609	414	195	271	165	240	245	-
400	1600	500	400	1609	514	195	371	165	340	245	-
400	1600	600	400	1609	614	195	471	165	440	245	-
400	1800	400	400	1809	414	195	271	165	240	245	-
400	1800	500	400	1809	514	195	371	165	340	245	-
400	1800	600	400	1809	614	195	471	165	440	245	-
400	1800	800	400	1809	814	195	671	165	640	245	-
400	2000	400	400	2009	414	195	271	165	240	245	-
400	2000	500	400	2009	514	195	371	165	340	245	-
400	2000	600	400	2009	614	195	471	165	440	245	-
400	2000	800	400	2009	814	195	671	165	640	245	-
400	2200	500	400	2209	514	195	371	165	340	245	-
400	2200	600	400	2209	614	195	471	165	440	245	-
400	2200	800	400	2209	814	195	671	165	640	245	-
600	1400	400	600	1409	414	395	271	365	240	445	1230
600	1400	500	600	1409	514	395	371	365	340	445	1230
600	1600	400	600	1609	414	395	271	365	240	445	1430
600	1600	500	600	1609	514	395	371	365	340	445	1430
600	1600	600	600	1609	614	395	471	365	440	445	1430
600	1600	800	600	1609	814	395	671	365	640	445	1430
600	1800	400	600	1809	414	395	271	365	240	445	1630
600	1800	500	600	1809	514	395	371	365	340	445	1630
600	1800	600	600	1809	614	395	471	365	440	445	1630
600	1800	800	600	1809	814	395	671	365	640	445	1630
600	2000	400	600	2009	414	395	271	365	240	445	1830
600	2000	500	600	2009	514	395	371	365	340	445	1830
600	2000	600	600	2009	614	395	471	365	440	445	1830
600	2000	800	600	2009	814	395	671	365	640	445	1830
600	2000	1000	600	2009	1014	395	871	365	840	445	1830
600	2200	500	600	2209	514	395	371	365	340	445	2030
600	2200	600	600	2209	614	395	471	365	440	445	2030
600	2200	800	600	2209	814	395	671	365	640	445	2030
800	1400	400	800	1409	414	595	271	565	240	645	1230
800	1400	500	800	1409	514	595	371	565	340	645	1230
800	1600	400	800	1609	414	595	271	565	240	645	1430
800	1600	500	800	1609	514	595	371	565	340	645	1430
800	1600	600	800	1609	614	595	471	565	440	645	1430
800	1800	400	800	1809	414	595	271	565	240	645	1630
800	1800	500	800	1809	514	595	371	565	340	645	1630
800	1800	600	800	1809	614	595	471	565	440	645	1630
800	1800	800	800	1809	814	595	671	565	640	645	1630
800	2000	400	800	2009	414	595	271	565	240	645	1830
800	2000	500	800	2009	514	595	371	565	340	645	1830
800	2000	600	800	2009	614	595	471	565	440	645	1830
800	2000	800	800	2009	814	595	671	565	640	645	1830
800	2000	1000	800	2009	1014	595	871	565	840	645	1830
800	2200	500	800	2209	514	595	371	565	340	645	2030
800	2200	600	800	2209	614	595	471	565	440	645	2030
800	2200	800	800	2209	814	595	671	565	640	645	2030
1000	1600	400	1000	1609	414	795	271	347	240	845	1430
1000	1600	500	1000	1609	514	795	371	347	340	845	1430
1000	1600	600	1000	1609	614	795	471	347	440	845	1430
1000	1800	400	1000	1809	414	795	271	347	240	845	1630
1000	1800	500	1000	1809	514	795	371	347	340	845	1630
1000	1800	600	1000	1809	614	795	471	347	440	845	1630
1000	1800	800	1000	1809	814	795	671	347	640	845	1630
1000	2000	400	1000	2009	414	795	271	347	240	845	1830
1000	2000	500	1000	2009	514	795	371	347	340	845	1830
1000	2000	600	1000	2009	614	795	471	347	440	845	1830
1000	2000	800	1000	2009	814	795	671	347	640	845	1830
1000	2200	500	1000	2209	514	795	371	347	340	845	2030
1000	2200	600	1000	2209	614	795	471	347	440	845	2030
1000	2200	800	1000	2209	814	795	671	347	640	845	2030



400			CODES FOR ASSEMBLED CABINET		
CABINET DIMENSIONS			CABINET WITH FRONT BLANK DOOR	CABINET WITH FRONT BLANK DOOR	
WIDTH	HEIGHT	DEPTH	+ REAR PANEL	+ REAR DOOR	
400	1600	400	ENUX041604PR	ENUX041604DP	
400	1600	500	ENUX041605PR	ENUX041605DP	
400	1600	600	ENUX041606PR	ENUX041606DP	
400	1800	400	ENUX041804PR	ENUX041804DP	
400	1800	500	ENUX041805PR	ENUX041805DP	
400	1800	600	ENUX041806PR	ENUX041806DP	
400	1800	800	ENUX041808PR	ENUX041808DP	
400	2000	400	ENUX042004PR	ENUX042004DP	
400	2000	500	ENUX042005PR	ENUX042005DP	
400	2000	600	ENUX042006PR	ENUX042006DP	
400	2000	800	ENUX042008PR	ENUX042008DP	
400	2200	500	ENUX042205PR	ENUX042205DP	
400	2200	600	ENUX042206PR	ENUX042206DP	
400	2200	800	ENUX042208PR	ENUX042208DP	

400			CODES FOR FLAT-PACK CABINET		
CABINET DIMENSIONS			ROOF + BOTTOM	BLANK DOOR	REAR PANEL
WIDTH	HEIGHT	DEPTH		+ FRONT UPRIGHTS	+ REAR UPRIGHTS
400	1600	400	EUTF040040	EUP0040160	EURE040160
400	1600	500	EUTF040050	EUP0040160	EURE040160
400	1600	600	EUTF040060	EUP0040160	EURE040160
400	1800	400	EUTF040040	EUP0040180	EURE040180
400	1800	500	EUTF040050	EUP0040180	EURE040180
400	1800	600	EUTF040060	EUP0040180	EURE040180
400	1800	800	EUTF040080	EUP0040180	EURE040180
400	2000	400	EUTF040040	EUP0040200	EURE040200
400	2000	500	EUTF040050	EUP0040200	EURE040200
400	2000	600	EUTF040060	EUP0040200	EURE040200
400	2000	800	EUTF040080	EUP0040200	EURE040200
400	2200	500	EUTF040050	EUP0040220	EURE040220
400	2200	600	EUTF040060	EUP0040220	EURE040220
400	2200	800	EUTF040080	EUP0040220	EURE040220

**Note:** codes are referring to the version with roof and handle in RAL 5020. Available on demand in version Pantone 2717U; to order you have to add the suffix "A" to the code of the assembled cabinet (i.e.: ENUX041604PRA) or cabinet kit for roof + bottom and door (i.e.: EUTF040040A, EUP0040160A).

Suite

600			CODES FOR ASSEMBLED CABINET		
CABINET DIMENSIONS			CABINET WITH FRONT BLANK DOOR	CABINET WITH FRONT PLEXI DOOR	CABINET WITH FRONT BLANK DOOR
WIDTH	HEIGHT	DEPTH	+ REAR PANEL	+ REAR PANEL	+ REAR DOOR
600	1400	400	ENUX061404PR	ENUX061404PV	ENUX061404DP
600	1400	500	ENUX061405PR	ENUX061405PV	ENUX061405DP
600	1600	400	ENUX061604PR	ENUX061604PV	ENUX061604DP
600	1600	500	ENUX061605PR	ENUX061605PV	ENUX061605DP
600	1600	600	ENUX061606PR	ENUX061606PV	ENUX061606DP
600	1800	400	ENUX061804PR	ENUX061804PV	ENUX061804DP
600	1800	500	ENUX061805PR	ENUX061805PV	ENUX061805DP
600	1800	600	ENUX061806PR	ENUX061806PV	ENUX061806DP
600	1800	800	ENUX061808PR	ENUX061808PV	ENUX061808DP
600	2000	400	ENUX062004PR	ENUX062004PV	ENUX062004DP
600	2000	500	ENUX062005PR	ENUX062005PV	ENUX062005DP
600	2000	600	ENUX062006PR	ENUX062006PV	ENUX062006DP
600	2000	800	ENUX062008PR	ENUX062008PV	ENUX062008DP
600	2000	1000	ENUX062010PR	—	—
600	2200	500	ENUX062205PR	ENUX062205PV	ENUX062205DP
600	2200	600	ENUX062206PR	ENUX062206PV	ENUX062206DP
600	2200	800	ENUX062208PR	ENUX062208PV	ENUX062208DP

600			CODES FOR FLAT-PACK CABINET			
CABINET DIMENSIONS			ROOF + BOTTOM	BLANK DOOR	PLEXI DOOR	REAR PANEL
WIDTH	HEIGHT	DEPTH		+ FRONT UPRIGHTS	+ FRONT UPRIGHTS	+ REAR UPRIGHTS
600	1400	400	EUTF060040	EUPO060140	EUPV060140	EURE060140
600	1400	500	EUTF060050	EUPO060140	EUPV060140	EURE060140
600	1600	400	EUTF060040	EUPO060160	EUPV060160	EURE060160
600	1600	500	EUTF060050	EUPO060160	EUPV060160	EURE060160
600	1600	600	EUTF060060	EUPO060160	EUPV060160	EURE060160
600	1800	400	EUTF060040	EUPO060180	EUPV060180	EURE060180
600	1800	500	EUTF060050	EUPO060180	EUPV060180	EURE060180
600	1800	600	EUTF060060	EUPO060180	EUPV060180	EURE060180
600	1800	800	EUTF060080	EUPO060180	EUPV060180	EURE060180
600	2000	400	EUTF060040	EUPO060200	EUPV060200	EURE060200
600	2000	500	EUTF060050	EUPO060200	EUPV060200	EURE060200
600	2000	600	EUTF060060	EUPO060200	EUPV060200	EURE060200
600	2000	800	EUTF060080	EUPO060200	EUPV060200	EURE060200
600	2200	500	EUTF060050	EUPO060220	EUPV060220	EURE060220
600	2200	600	EUTF060060	EUPO060220	EUPV060220	EURE060220
600	2200	800	EUTF060080	EUPO060220	EUPV060220	EURE060220

**Note:** codes are referring to the version with roof and handle in RAL 5020. Available on demand in version Pantone 2717U; to order you have to add the suffix "A" to the code of the assembled cabinet (i.e.: ENUX061404PRA) or cabinet kit for roof + bottom and door (i.e.: EUTF060040A, EUPO060140A).

800			CODES FOR ASSEMBLED CABINET		
CABINET DIMENSIONS			CABINET WITH FRONT BLANK DOOR	CABINET WITH FRONT PLEXI DOOR	CABINET WITH FRONT BLANK DOOR
WIDTH	HEIGHT	DEPTH	+ REAR PANEL	+ REAR PANEL	+ REAR DOOR
800	1400	400	ENUX081404PR	ENUX081404PV	ENUX081404DP
800	1400	500	ENUX081405PR	ENUX081405PV	ENUX081405DP
800	1600	400	ENUX081604PR	ENUX081604PV	ENUX081604DP
800	1600	500	ENUX081605PR	ENUX081605PV	ENUX081605DP
800	1600	600	ENUX081606PR	ENUX081606PV	ENUX081606DP
800	1800	400	ENUX081804PR	ENUX081804PV	ENUX081804DP
800	1800	500	ENUX081805PR	ENUX081805PV	ENUX081805DP
800	1800	600	ENUX081806PR	ENUX081806PV	ENUX081806DP
800	1800	800	ENUX081808PR	ENUX081808PV	ENUX081808DP
800	2000	400	ENUX082004PR	ENUX082004PV	ENUX082004DP
800	2000	500	ENUX082005PR	ENUX082005PV	ENUX082005DP
800	2000	600	ENUX082006PR	ENUX082006PV	ENUX082006DP
800	2000	800	ENUX082008PR	ENUX082008PV	ENUX082008DP
800	2000	1000	ENUX082010PR	—	—
800	2200	500	ENUX082205PR	ENUX082205PV	ENUX082205DP
800	2200	600	ENUX082206PR	ENUX082206PV	ENUX082206DP
800	2200	800	ENUX082208PR	ENUX082208PV	ENUX082208DP

800			CODES FOR FLAT-PACK CABINET			
CABINET DIMENSIONS			ROOF + BOTTOM	BLANK DOOR	PLEXI DOOR	REAR PANEL
WIDTH	HEIGHT	DEPTH		+ FRONT UPRIGHTS	+ FRONT UPRIGHTS	+ REAR UPRIGHTS
800	1400	400	EUTF080040	EUP0080140	EUPV080140	EURE080140
800	1400	500	EUTF080050	EUP0080140	EUPV080140	EURE080140
800	1600	400	EUTF080040	EUP0080160	EUPV080160	EURE080160
800	1600	500	EUTF080050	EUP0080160	EUPV080160	EURE080160
800	1600	600	EUTF080060	EUP0080160	EUPV080160	EURE080160
800	1800	400	EUTF080040	EUP0080180	EUPV080180	EURE080180
800	1800	500	EUTF080050	EUP0080180	EUPV080180	EURE080180
800	1800	600	EUTF080060	EUP0080180	EUPV080180	EURE080180
800	1800	800	EUTF080080	EUP0080180	EUPV080180	EURE080180
800	2000	400	EUTF080040	EUP0080200	EUPV080200	EURE080200
800	2000	500	EUTF080050	EUP0080200	EUPV080200	EURE080200
800	2000	600	EUTF080060	EUP0080200	EUPV080200	EURE080200
800	2000	800	EUTF080080	EUP0080200	EUPV080200	EURE080200
800	2200	500	EUTF080050	EUP0080220	EUPV080220	EURE080220
800	2200	600	EUTF080060	EUP0080220	EUPV080220	EURE080220
800	2200	800	EUTF080080	EUP0080220	EUPV080220	EURE080220

**Note:** codes are referring to the version with roof and handle in RAL 5020. Available on demand in version Pantone 2717U; to order you have to add the suffix "A" to the code of the assembled cabinet (i.e.: ENUX081404PRA) or cabinet kit for roof + bottom and door (i.e.: EUTF080040A, EUP0080140A).

Suite

1000			CODES FOR ASSEMBLED CABINET		
CABINET DIMENSIONS			CABINET WITH FRONT BLANK DOOR	CABINET WITH FRONT PLEXI DOOR	CABINET WITH FRONT BLANK DOOR
WIDTH	HEIGHT	DEPTH	+ REAR PANEL	+ REAR PANEL	+ REAR DOOR
1000	1600	400	ENUX101604PR	ENUX101604PV	ENUX101604DP
1000	1600	500	ENUX101605PR	ENUX101605PV	ENUX101605DP
1000	1600	600	ENUX101606PR	ENUX101606PV	ENUX101606DP
1000	1800	400	ENUX101804PR	ENUX101804PV	ENUX101804DP
1000	1800	500	ENUX101805PR	ENUX101805PV	ENUX101805DP
1000	1800	600	ENUX101806PR	ENUX101806PV	ENUX101806DP
1000	1800	800	ENUX101808PR	ENUX101808PV	ENUX101808DP
1000	2000	400	ENUX102004PR	ENUX102004PV	ENUX102004DP
1000	2000	500	ENUX102005PR	ENUX102005PV	ENUX102005DP
1000	2000	600	ENUX102006PR	ENUX102006PV	ENUX102006DP
1000	2000	800	ENUX102008PR	ENUX102008PV	ENUX102008DP
1000	2200	500	ENUX102205PR	ENUX102205PV	ENUX102205DP
1000	2200	600	ENUX102206PR	ENUX102206PV	ENUX102206DP
1000	2200	800	ENUX102208PR	ENUX102208PV	ENUX102208DP

1000			CODES FOR FLAT-PACK CABINET				
CABINET DIMENSIONS			ROOF + BOTTOM	BLANK DOOR W=1000* + FRONT UPRIGHTS	*OR DOUBLE DOOR 500+500	PLEXI DOOR + FRONT UPRIGHTS	REAR PANEL + REAR UPRIGHTS
WIDTH	HEIGHT	DEPTH					
1000	1600	400	EUTF100040	EUPO100160	EUPO100160DP	EUPV100160	EURE100160
1000	1600	500	EUTF100050	EUPO100160	EUPO100160DP	EUPV100160	EURE100160
1000	1600	600	EUTF100060	EUPO100160	EUPO100160DP	EUPV100160	EURE100160
1000	1800	400	EUTF100040	EUPO100180	EUPO100180DP	EUPV100180	EURE100180
1000	1800	500	EUTF100050	EUPO100180	EUPO100180DP	EUPV100180	EURE100180
1000	1800	600	EUTF100060	EUPO100180	EUPO100180DP	EUPV100180	EURE100180
1000	1800	800	EUTF100080	EUPO100180	EUPO100180DP	EUPV100180	EURE100180
1000	2000	400	EUTF100040	EUPO100200	EUPO100200DP	EUPV100200	EURE100200
1000	2000	500	EUTF100050	EUPO100200	EUPO100200DP	EUPV100200	EURE100200
1000	2000	600	EUTF100060	EUPO100200	EUPO100200DP	EUPV100200	EURE100200
1000	2000	800	EUTF100080	EUPO100200	EUPO100200DP	EUPV100200	EURE100200
1000	2200	500	EUTF100050	EUPO100220	EUPO100220DP	EUPV100220	EURE100220
1000	2200	600	EUTF100060	EUPO100220	EUPO100220DP	EUPV100220	EURE100220
1000	2200	800	EUTF100080	EUPO100220	EUPO100220DP	EUPV100220	EURE100220

**Note:** codes are referring to the version with roof and handle in RAL 5020. Available on demand in version Pantone 2717U; to order you have to add the suffix "A" to the code of the assembled cabinet (i.e.: ENUX101604PRA) or cabinet kit for roof + bottom and door (i.e.: EUTF100040A, EUPO100160A).





Suite



E NUX accessories, see page 45

EUPA front inserted mounting plate, see page 46

EUFI side panels, see page 57

EUZE modular plinth, see page 58

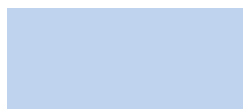
WTGS-001 eyebolts, see page 70



RAL 7035



RAL 5020



Pantone 2717U

### CHARACTERISTICS

The profile used for uprights and crosspieces is unique, manufactured from high-strength low-alloy sheet steel, closed with continuous fiber laser welding and free of sharp edges. The bottom is a single piece with box-type structure manufactured from press-bent fiber laser-MIG hybrid welded profiles of high-strength low-alloy sheet steel and an integrated central partition crosspiece. The frame corners are manufactured with orthogonal joints laser welded to vertical upright rails and horizontal rails for the roof and bottom. Only 8 high resistance screws are necessary to mount the structure, while two position pins allow the easy mounting of the two parts of the joint.

### PAINT FINISH

ETA standard epoxy polyester powder coating.

- structure: RAL 7035 smooth finish
- doors and rear panel: RAL 7035 textured finish
- roof: RAL 5020 textured finish.

### ASSEMBLED E NUX CABINET

- structure manufactured from high-strength low-alloy sheet steel
- door manufactured from 2.0 mm thick sheet steel with stiffening frame, complete with ø 3 mm lever-operated double bar locking system
- rear panel manufactured from sheet steel with rounded folding
- removable roof manufactured from sheet steel
- bottom manufactured from high-strength low-alloy sheet steel with adjustable double cable entry, complete with seal supplied separately.

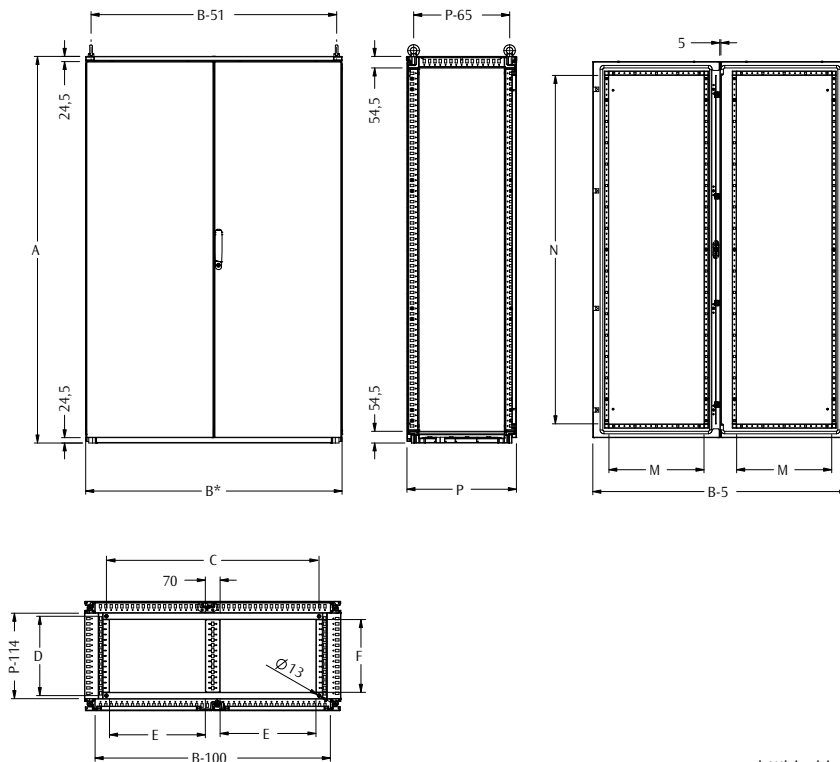
### FLAT-PACK E NUX CABINET (ASSEMBLY WITH 8 SCREWS ONLY)

- composition to be assembled complying with customers requests
- panels and doors are supplied together with two vertical uprights complete with accessories.

### PROTECTION RATING

- IP55 complying with IEC EN62208; EN60529
- NEMA 12 complying with UL508A; UL50
- protection degree guaranteed by the two-component polyurethane foam seal
- impact resistance IK10 complying with IEC EN62208; EN62262.

**Note:** for further information, see the Technical section page 327.



\* With side panels mounted, add 12 mm

### DIMENSIONAL SPECIFICATIONS

DIMENSIONS			CABINET DIMENSIONS			FLOOR FIXING		CABLE ENTRY		DOOR SPACE	
WIDTH	HEIGHT	DEPTH	B*	A	P	C	D	E	F	M	N
1200	1400	400	1200	1409	414	995	271	447	240	445	1230
1200	1400	500	1200	1409	514	995	371	447	340	445	1230
1200	1600	400	1200	1609	414	995	271	447	240	445	1430
1200	1600	500	1200	1609	514	995	371	447	340	445	1430
1200	1600	600	1200	1609	614	995	471	447	440	445	1430
1200	1800	400	1200	1809	414	995	271	447	240	445	1630
1200	1800	500	1200	1809	514	995	371	447	340	445	1630
1200	1800	600	1200	1809	614	995	471	447	440	445	1630
1200	1800	800	1200	1809	814	995	671	447	640	445	1630
1200	2000	400	1200	2009	414	995	271	447	240	445	1830
1200	2000	500	1200	2009	514	995	371	447	340	445	1830
1200	2000	600	1200	2009	614	995	471	447	440	445	1830
1200	2000	800	1200	2009	814	995	671	447	640	445	1830
1200	2000	1000	1200	2009	1014	995	871	447	840	445	1830
1200	2200	500	1200	2209	514	995	371	447	340	445	2030
1200	2200	600	1200	2209	614	995	471	447	440	445	2030
1200	2200	800	1200	2209	814	995	671	447	640	445	2030
1400	2000	400	1400	2009	414	1195	271	547	240	545	1830
1400	2000	500	1400	2009	514	1195	371	547	340	545	1830
1400	2000	600	1400	2009	614	1195	471	547	440	545	1830
1400	2000	800	1400	2009	814	1195	671	547	640	545	1830
1600	1400	400	1600	1409	414	1395	271	647	240	645	1230
1600	1400	500	1600	1409	514	1395	371	647	340	645	1230
1600	2000	400	1600	2009	414	1395	271	647	240	645	1830
1600	2000	500	1600	2009	514	1395	371	647	340	645	1830
1600	2000	600	1600	2009	614	1395	471	647	440	645	1830
1600	2000	800	1600	2009	814	1395	671	647	640	645	1830

Suite

1200			CODES FOR ASSEMBLED CABINET		
CABINET DIMENSIONS			CABINET WITH FRONT BLANK DOORS 600+600	CABINET WITH FRONT BLANK DOORS 600+600	
WIDTH	HEIGHT	DEPTH	+ REAR PANEL	+ REAR DOORS 600+600	
1200	1400	400	ENUX121404PR	ENUX121404DP	
1200	1400	500	ENUX121405PR	ENUX121405DP	
1200	1600	400	ENUX121604PR	ENUX121604DP	
1200	1600	500	ENUX121605PR	ENUX121605DP	
1200	1600	600	ENUX121606PR	ENUX121606DP	
1200	1800	400	ENUX121804PR	ENUX121804DP	
1200	1800	500	ENUX121805PR	ENUX121805DP	
1200	1800	600	ENUX121806PR	ENUX121806DP	
1200	1800	800	ENUX121808PR	ENUX121808DP	
1200	2000	400	ENUX122004PR	ENUX122004DP	
1200	2000	500	ENUX122005PR	ENUX122005DP	
1200	2000	600	ENUX122006PR	ENUX122006DP	
1200	2000	800	ENUX122008PR	ENUX122008DP	
1200	2000	1000	ENUX122010PR	---	
1200	2200	500	ENUX122205PR	ENUX122205DP	
1200	2200	600	ENUX122206PR	ENUX122206DP	
1200	2200	800	ENUX122208PR	ENUX122208DP	

1200			CODES FOR FLAT-PACK CABINET		
CABINET DIMENSIONS			ROOF + BOTTOM	DOUBLE BLANK DOORS 600+600	REAR PANEL
WIDTH	HEIGHT	DEPTH		+ FRONT UPRIGHTS	+ REAR UPRIGHTS
1200	1400	400	EUTF120040	EUP0120140	EURE120140
1200	1400	500	EUTF120050	EUP0120140	EURE120140
1200	1600	400	EUTF120040	EUP0120160	EURE120160
1200	1600	500	EUTF120050	EUP0120160	EURE120160
1200	1600	600	EUTF120060	EUP0120160	EURE120160
1200	1800	400	EUTF120040	EUP0120180	EURE120180
1200	1800	500	EUTF120050	EUP0120180	EURE120180
1200	1800	600	EUTF120060	EUP0120180	EURE120180
1200	1800	800	EUTF120080	EUP0120180	EURE120180
1200	2000	400	EUTF120040	EUP0120200	EURE120200
1200	2000	500	EUTF120050	EUP0120200	EURE120200
1200	2000	600	EUTF120060	EUP0120200	EURE120200
1200	2000	800	EUTF120080	EUP0120200	EURE120200
1200	2200	500	EUTF120050	EUP0120220	EURE120220
1200	2200	600	EUTF120060	EUP0120220	EURE120220
1200	2200	800	EUTF120080	EUP0120220	EURE120220

1400			CODES FOR ASSEMBLED CABINET		
CABINET DIMENSIONS			CABINET WITH FRONT BLANK DOORS 700+700	CABINET WITH FRONT BLANK DOORS 700+700	
WIDTH	HEIGHT	DEPTH	+ REAR PANEL	+ REAR DOORS 700+700	
1400	2000	400	ENUX142004PR	ENUX142004DP	
1400	2000	500	ENUX142005PR	ENUX142005DP	
1400	2000	600	ENUX142006PR	ENUX142006DP	
1400	2000	800	ENUX142008PR	ENUX142008DP	

1400			CODES FOR FLAT-PACK CABINET		
CABINET DIMENSIONS			ROOF + BOTTOM	DOUBLE BLANK DOORS 700+700	REAR PANEL
WIDTH	HEIGHT	DEPTH		+ FRONT UPRIGHTS	+ REAR UPRIGHTS
1400	2000	400	EUTF140040	EUP0140200	EURE140200
1400	2000	500	EUTF140050	EUP0140200	EURE140200
1400	2000	600	EUTF140060	EUP0140200	EURE140200
1400	2000	800	EUTF140080	EUP0140200	EURE140200



1600			CODES FOR ASSEMBLED CABINET		
CABINET DIMENSIONS			CABINET WITH FRONT BLANK DOORS 800+800	CABINET WITH FRONT BLANK DOORS 800+800	
WIDTH	HEIGHT	DEPTH	+ REAR PANEL	+ REAR DOORS 800+800	
1600	1400	400	ENUX161404PR	ENUX161404DP	
1600	1400	500	ENUX161405PR	ENUX161405DP	
1600	2000	400	ENUX162004PR	ENUX162004DP	
1600	2000	500	ENUX162005PR	ENUX162005DP	
1600	2000	600	ENUX162006PR	ENUX162006DP	
1600	2000	800	ENUX162008PR	ENUX162008DP	

1600			CODES FOR FLAT-PACK CABINET		
CABINET DIMENSIONS			ROOF + BOTTOM	DOUBLE BLANK DOORS 800+800	REAR PANEL
WIDTH	HEIGHT	DEPTH		+ FRONT UPRIGHTS	+ REAR UPRIGHTS
1600	1400	400	EUTF160040	EUP0160140	EURE160140
1600	1400	500	EUTF160050	EUP0160140	EURE160140
1600	2000	400	EUTF160040	EUP0160200	EURE160200
1600	2000	500	EUTF160050	EUP0160200	EURE160200
1600	2000	600	EUTF160060	EUP0160200	EURE160200
1600	2000	800	EUTF160080	EUP0160200	EURE160200

**Note:** codes are referring to the version with roof and handle in RAL 5020. Available on demand in version Pantone 2717U; to order you have to add the suffix "A" to the code of the assembled cabinet (i.e.: ENUX121404PRA) or cabinet kit for roof + bottom and door (i.e.: EUTF120040A, EUP0120140A).



Suite



### CABLE ENTRY MODULE FRONT OPENING E NUX

To be used as an end or intermediate element in a suite of cabinets. Front and/or rear access.

#### CHARACTERISTICS

The profile used for uprights and crosspieces is unique, manufactured from high-strength low-alloy sheet steel, closed with continuous fiber laser welding and free of sharp edges. The frame corners are manufactured with orthogonal joints laser welded to vertical upright rails and horizontal rails for roof and bottom. Only 8 high resistance screws are necessary to mount the structure, while two position pins allow the easy mounting of the two parts of the joint.

#### PAINT FINISH

ETA standard epoxy polyester powder coating.

- structure: RAL 7035 smooth finish
- doors and rear panel: RAL 7035 textured finish
- roof: RAL 5020 textured finish.

#### ASSEMBLED E NUX MODULE

- structure manufactured from high-strength low-alloy sheet steel
- door manufactured from sheet steel with stiffening frame, complete with  $\varnothing$  3mm lever-operated double bar locking system
- rear panel manufactured from sheet steel with rounded folding
- removable roof manufactured from sheet steel
- bottom manufactured from sheet steel.

#### FLAT-PACK E NUX MODULE (ASSEMBLY WITH 8 SCREWS ONLY)

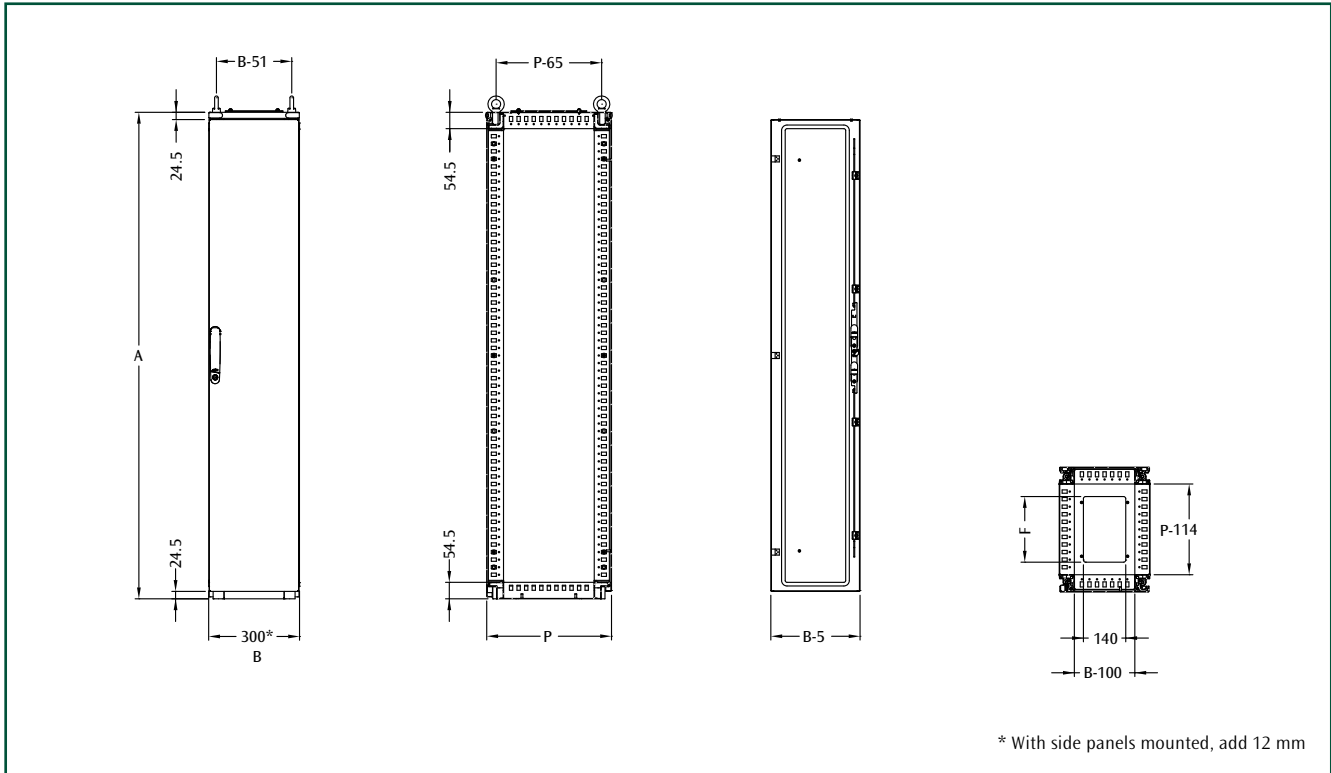
- composition to be assembled complying with customers requests
- panels and doors are supplied together with two vertical uprights complete with accessories.

#### PROTECTION RATING

- IP55 complying with IEC EN62208; EN60529
- NEMA 12 complying with UL508A; UL50
- protection degree guaranteed by the two-component polyurethane foam seal
- impact resistance IK10 complying with IEC EN62208; EN62262.

**Note:** codes are referring to the version with roof and handle in RAL 5020. Available on demand in version Pantone 2717U; to order you have to add the suffix "A" to the code of the assembled cabinet (i.e.: ENUX031604A) or cabinet kit for roof + bottom and door (i.e.: EUTF030040A, EUPO030160LA).

**Note:** for further information, see the Technical section page 327.



### DIMENSIONAL SPECIFICATIONS

WIDTH	DIMENSIONS			CABLE ENTRY MODULE DIMENSIONS		CABLE ENTRY
	HEIGHT	DEPTH		A	P	F
300	1600	400		1609	414	217
300	1600	500		1609	514	317
300	1600	600		1609	614	417
300	1800	400		1809	414	217
300	1800	500		1809	514	317
300	1800	600		1809	614	417
300	1800	800		1809	814	617
300	2000	400		2009	414	217
300	2000	500		2009	514	317
300	2000	600		2009	614	417
300	2000	800		2009	814	617
300	2200	500		2209	514	317
300	2200	600		2209	614	417
300	2200	800		2209	814	617

### ASSEMBLED CABLE ENTRY MODULE

E NUX CODE	DIMENSIONS		
	WIDTH	HEIGHT	DEPTH
ENUX031604	300	1600	400
ENUX031605	300	1600	500
ENUX031606	300	1600	600
ENUX031804	300	1800	400
ENUX031805	300	1800	500
ENUX031806	300	1800	600
ENUX031808	300	1800	800
ENUX032004	300	2000	400
ENUX032005	300	2000	500
ENUX032006	300	2000	600
ENUX032008	300	2000	800
ENUX032205	300	2200	500
ENUX032206	300	2200	600
ENUX032208	300	2200	800

### FLAT-PACK CABLE ENTRY MODULE

DIMENSIONS			ROOF	BLANK	REAR
WIDTH	HEIGHT	DEPTH	+ BOTTOM	DOOR	PANEL
300	1600	400	EUTF030040	EUPO030160	EURE030160
300	1600	500	EUTF030050	EUPO030160	EURE030160
300	1600	600	EUTF030060	EUPO030160	EURE030160
300	1800	400	EUTF030040	EUPO030180	EURE030180
300	1800	500	EUTF030050	EUPO030180	EURE030180
300	1800	600	EUTF030060	EUPO030180	EURE030180
300	1800	800	EUTF030080	EUPO030180	EURE030180
300	2000	400	EUTF030040	EUPO030200	EURE030200
300	2000	500	EUTF030050	EUPO030200	EURE030200
300	2000	600	EUTF030060	EUPO030200	EURE030200
300	2000	800	EUTF030080	EUPO030200	EURE030200
300	2200	500	EUTF030050	EUPO030220	EURE030220
300	2200	600	EUTF030060	EUPO030220	EURE030220
300	2200	800	EUTF030080	EUPO030220	EURE030220

### CABLE ENTRY MODULE SIDE OPENING EURP

To be positioned at the end of a cabinet suite for protecting cable and connector systems. Lateral access.

#### CHARACTERISTICS/SUPPLY

- structure manufactured from 1.5 mm thick press bent and welded sheet steel
- door manufactured from 2.0 mm thick sheet steel with 110° door opening
- sealing gasket.

#### PAINT FINISH

ETA standard epoxy polyester powder coating.  
Colour: RAL 7035 textured finish.

#### PROTECTION RATING

IP55.



#### CABLE ENTRY MOD. SIDE OP. W=200

EURP CODE	MODULE DIMENSIONS		
	L	A	P
EURP021805	200	1809	514
EURP022006	200	2009	614

**Note:** please order the plinth in accordance with the total width of standard cabinet + cable entry module. I.e.: E NUX W 800 x D 500 + cable entry module W 200 x D 500 + plinth H=100 = EUZE-A100 + EUZE-T1000 + EUZE-T0500 (for plinth dimensions see page 58).

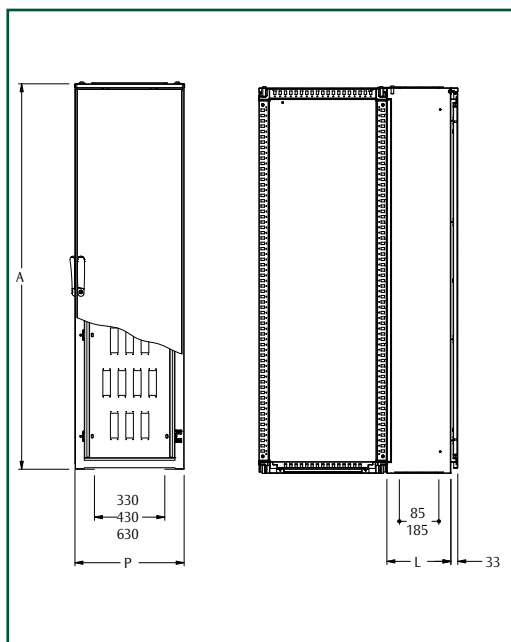
**Note:** to be ordered separately: joining kit EUKU-007 for EURP with E NUX.

#### CABLE ENTRY MOD. SIDE OP. W=300

EURP CODE	MODULE DIMENSIONS		
	L	A	P
EURP031805	300	1809	514
EURP031806	300	1809	614
EURP031808	300	1809	814
EURP032005	300	2009	514
EURP032006	300	2009	614
EURP032008	300	2009	814

**Note:** for E NUX plinth see page 58 (I.e. EUZE-A100 + EUZE-T0300 + EUZE-T0500).

**Note:** codes are referring to the version with roof and handle in RAL 5020. Available on demand in version Pantone 2717U; to order you have to add the suffix "A" to the code (i.e.: EURP031805A).



#### INNER BLANK MOUNTING PLATE\*

EUD3 CODE	MODULE DIMENSIONS	
	A	P
EUD3-050180	1809	514
EUD3-060180	1809	614
EUD3-080180	1809	814
EUD3-050200	2009	514
EUD3-060200	2009	614
EUD3-080200	2009	814

\* Supply includes gasket for IP55.

#### INNER PUNCHED MOUNTING PLATE\*

EUD4 CODE	MODULE DIMENSIONS		NO. OF HOLES
	A	P	
EUD4-050180	1809	514	28
EUD4-060180	1809	614	44
EUD4-080180	1809	814	60
EUD4-050200	2009	514	32
EUD4-060200	2009	614	50
EUD4-080200	2009	814	68

\* Supply includes gasket for IP55.

Have you already selected your cabinets, in both assembled or flat-pack version?  
Choose the accessories and complete your configuration!

**MOUNTING PLATE**

**PAGE 46**

- Front-inserted mounting plate
- Side-inserted mounting plate
- Partial, supplementary, other plates



**LOCKING SYSTEM, DOORS AND PANELS**

**PAGE 53**

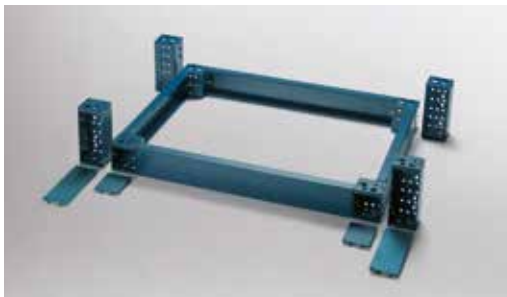
- Locking systems
- Plexi door
- Split doors
- Inner door
- Side panels



**PLINTH**

**PAGE 58**

- Modular plinth
- Watertight plinth
- Transportation or anti-vibration plinth



**SPECIAL SOLUTIONS**

**PAGE 61**

- Seismic design
- E NUX cabinet with IP>55



**COMPLEMENTARY ACCESSORIES**

**PAGE 64**

- Blank bottom
- Rain canopy
- Wheels and levelling feet
- Cable entry box
- Joining kit
- Lifting system
- Inner profiles
- Dividing plate
- Door-stop and door lock
- Corner cabinet or frame joining kit back to back
- Accessories for door
- Accessories for cable entry



Do you need an accessory that is not available in our standard offer?  
Our R&D Team is at your complete disposal to design together  
a new solution to meet your requirements!

Suite



**FRONT INSERTED MOUNTING PLATE EUPA**

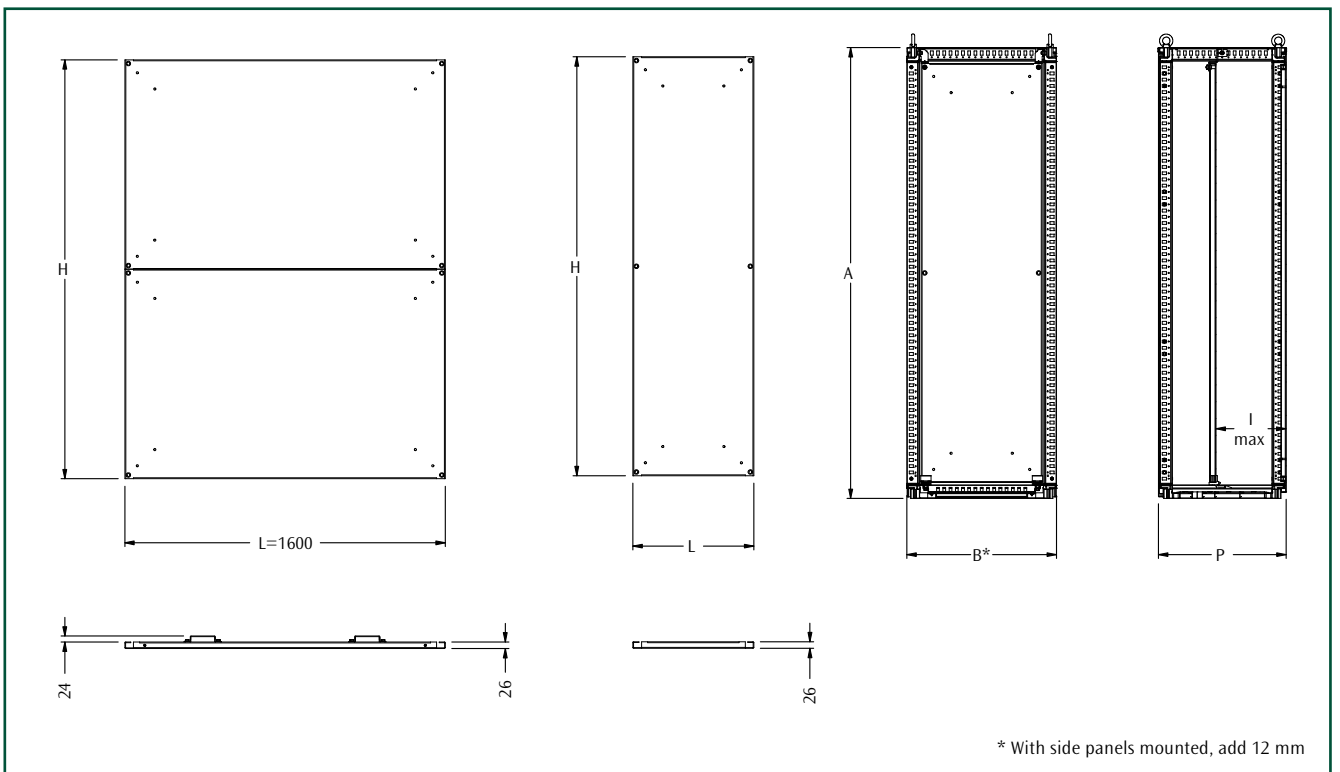
Manufactured from sendzimir sheet steel:

- thickness 2.5 mm for  $W < 1000$  and  $W = 1600$
- thickness 3.0 mm for  $W \geq 1000$ .



**Note:** mounting plate  $W > 1400$ mm manufactured in two parts with horizontal union and stiffening omega-rings.

**Note:** to be ordered separately: WTKB-002 mounting accessories for mounting plate.



\* With side panels mounted, add 12 mm

### MOUNTING PLATE WIDTH 400

EUPA CODE	CABINET DIMENSIONS			MOUNTING PLATE DIM.		
	B*	A	P	L	H	I (MAX)
EUPA-040160	400	1609	414	285	1480	350
EUPA-040160	400	1609	514	285	1480	450
EUPA-040160	400	1609	614	285	1480	550
EUPA-040180	400	1809	414	285	1680	350
EUPA-040180	400	1809	514	285	1680	450
EUPA-040180	400	1809	614	285	1680	550
EUPA-040180	400	1809	814	285	1680	750
EUPA-040200	400	2009	414	285	1880	350
EUPA-040200	400	2009	514	285	1880	450
EUPA-040200	400	2009	614	285	1880	550
EUPA-040200	400	2009	814	285	1880	750
EUPA-040220	400	2209	514	285	2080	450
EUPA-040220	400	2209	614	285	2080	450
EUPA-040220	400	2209	814	285	2080	450

### MOUNTING PLATE WIDTH 1000

EUPA CODE	CABINET DIMENSIONS			MOUNTING PLATE DIM.		
	B*	A	P	L	H	I (MAX)
EUPA-100160	1000	1609	414	885	1480	350
EUPA-100160	1000	1609	514	885	1480	450
EUPA-100160	1000	1609	614	885	1480	550
EUPA-100180	1000	1809	414	885	1680	350
EUPA-100180	1000	1809	514	885	1680	450
EUPA-100180	1000	1809	614	885	1680	550
EUPA-100180	1000	1809	814	885	1680	750
EUPA-100200	1000	2009	414	885	1880	350
EUPA-100200	1000	2009	514	885	1880	450
EUPA-100200	1000	2009	614	885	1880	550
EUPA-100200	1000	2009	814	885	1880	750
EUPA-100220	1000	2209	514	885	2080	450
EUPA-100220	1000	2209	614	885	2080	550
EUPA-100220	1000	2209	814	885	2080	750

### MOUNTING PLATE WIDTH 600

EUPA CODE	CABINET DIMENSIONS			MOUNTING PLATE DIM.		
	B*	A	P	L	H	I (MAX)
EUPA-060140	600	1409	414	485	1280	350
EUPA-060140	600	1409	514	485	1280	450
EUPA-060160	600	1609	414	485	1480	350
EUPA-060160	600	1609	514	485	1480	450
EUPA-060160	600	1609	614	485	1480	550
EUPA-060160	600	1609	814	485	1480	750
EUPA-060180	600	1809	414	485	1680	350
EUPA-060180	600	1809	514	485	1680	450
EUPA-060180	600	1809	614	485	1680	550
EUPA-060180	600	1809	814	485	1680	750
EUPA-060200	600	2009	414	485	1880	350
EUPA-060200	600	2009	514	485	1880	450
EUPA-060200	600	2009	614	485	1880	550
EUPA-060200	600	2009	814	485	1880	750
EUPA-060200	600	2009	1014	485	1880	950
EUPA-060220	600	2209	514	485	2080	450
EUPA-060220	600	2209	614	485	2080	550
EUPA-060220	600	2209	814	485	2080	750

### MOUNTING PLATE WIDTH 1200

EUPA CODE	CABINET DIMENSIONS			MOUNTING PLATE DIM.		
	B*	A	P	L	H	I (MAX)
EUPA-120140	1200	1409	414	1085	1280	350
EUPA-120140	1200	1409	514	1085	1280	450
EUPA-120160	1200	1609	414	1085	1480	350
EUPA-120160	1200	1609	514	1085	1480	450
EUPA-120160	1200	1609	614	1085	1480	550
EUPA-120160	1200	1609	814	1085	1480	750
EUPA-120180	1200	1809	414	1085	1680	350
EUPA-120180	1200	1809	514	1085	1680	450
EUPA-120180	1200	1809	614	1085	1680	550
EUPA-120180	1200	1809	814	1085	1680	750
EUPA-120200	1200	2009	414	1085	1880	350
EUPA-120200	1200	2009	514	1085	1880	450
EUPA-120200	1200	2009	614	1085	1880	550
EUPA-120200	1200	2009	814	1085	1880	750
EUPA-120200	1200	2009	1014	1085	1880	950
EUPA-120220	1200	2209	514	1085	2080	450
EUPA-120220	1200	2209	614	1085	2080	550
EUPA-120220	1200	2209	814	1085	2080	750

Note: optional stiffening omega-rings WTOM-001200 to be ordered separately.

### MOUNTING PLATE WIDTH 800

EUPA CODE	CABINET DIMENSIONS			MOUNTING PLATE DIM.		
	B*	A	P	L	H	I (MAX)
EUPA-080140	800	1409	414	685	1280	350
EUPA-080140	800	1409	514	685	1280	450
EUPA-080160	800	1609	414	685	1480	350
EUPA-080160	800	1609	514	685	1480	450
EUPA-080160	800	1609	614	685	1480	550
EUPA-080180	800	1809	414	685	1680	350
EUPA-080180	800	1809	514	685	1680	450
EUPA-080180	800	1809	614	685	1680	550
EUPA-080180	800	1809	814	685	1680	750
EUPA-080200	800	2009	414	685	1880	350
EUPA-080200	800	2009	514	685	1880	450
EUPA-080200	800	2009	614	685	1880	550
EUPA-080200	800	2009	814	685	1880	750
EUPA-080200	800	2009	1014	685	1880	950
EUPA-080220	800	2209	514	685	2080	450
EUPA-080220	800	2209	614	685	2080	550
EUPA-080220	800	2209	814	685	2080	750

### MOUNTING PLATE WIDTH 1400

EUPA CODE	CABINET DIMENSIONS			MOUNTING PLATE DIM.		
	B*	A	P	L	H	I (MAX)
EUPA-140200	1400	2009	414	1285	1880	350
EUPA-140200	1400	2009	514	1285	1880	450
EUPA-140200	1400	2009	614	1285	1880	550
EUPA-140200	1400	2009	814	1285	1880	750

Note: optional stiffening omega-rings WTOM-001400 to be ordered separately.

### MOUNTING PLATE WIDTH 1600

EUPA CODE	CABINET DIMENSIONS			MOUNTING PLATE DIM.		
	B*	A	P	L	H	I (MAX)
EUPA-160140	1600	1409	414	1485	1280	350
EUPA-160140	1600	1409	514	1485	1280	450
EUPA-160200	1600	2009	414	1485	1880	350
EUPA-160200	1600	2009	514	1485	1880	450
EUPA-160200	1600	2009	614	1485	1880	550
EUPA-160200	1600	2009	814	1485	1880	750



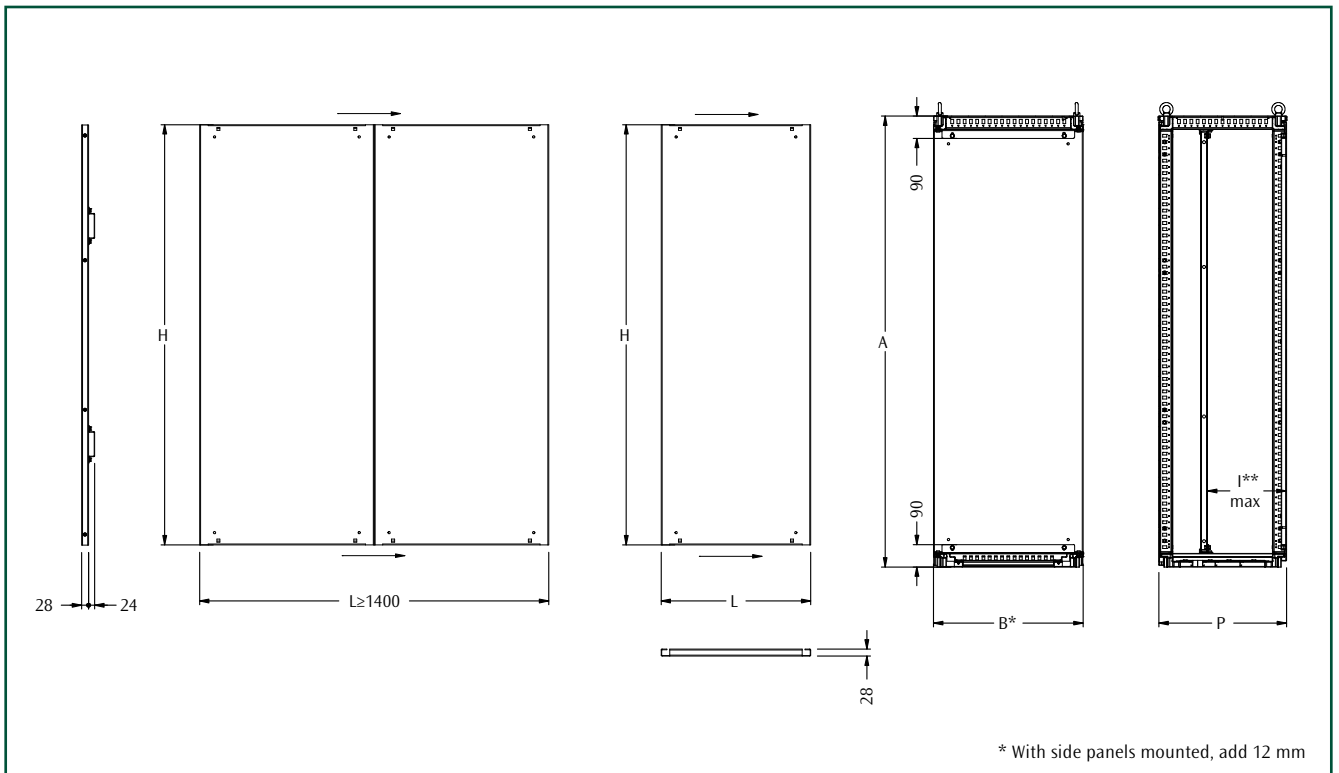
**SIDE INSERTED MOUNTING PLATE EUPL**

**CHARACTERISTICS**

Manufactured thick sendzimir sheet steel.

**SUPPLY**

Includes 1 piece with sliding guides and mounting accessories.



**Note:** mounting plate  $L \geq 1400$  mm and  $L = 1600$  mm manufactured in two parts with vertical union and stiffening omega-rings. Max  $L = 3$  m.

\*\* Calculated without stiffening omega-rings



### MOUNTING PLATE WIDTH 400

EUPL CODE	CABINET DIMENSIONS			MOUNTING PLATE DIM.		
	B*	A	P	L	H	I (MAX)
EUPL-040160	400	1609	414	400	1485	315
EUPL-040160	400	1609	514	400	1485	415
EUPL-040160	400	1609	614	400	1485	515
EUPL-040180	400	1809	414	400	1685	315
EUPL-040180	400	1809	514	400	1685	415
EUPL-040180	400	1809	614	400	1685	515
EUPL-040180	400	1809	814	400	1685	715
EUPL-040200	400	2009	414	400	1885	315
EUPL-040200	400	2009	514	400	1885	415
EUPL-040200	400	2009	614	400	1885	515
EUPL-040200	400	2009	814	400	1885	715
EUPL-040220	400	2209	514	400	2085	415
EUPL-040220	400	2209	614	400	2085	515
EUPL-040220	400	2209	814	400	2085	715

### MOUNTING PLATE WIDTH 1000

EUPL CODE	CABINET DIMENSIONS			MOUNTING PLATE DIM.		
	B*	A	P	L	H	I (MAX)
EUPL-100160	1000	1609	414	1000	1485	315
EUPL-100160	1000	1609	514	1000	1485	415
EUPL-100160	1000	1609	614	1000	1485	515
EUPL-100180	1000	1809	414	1000	1685	315
EUPL-100180	1000	1809	514	1000	1685	415
EUPL-100180	1000	1809	614	1000	1685	515
EUPL-100180	1000	1809	814	1000	1685	715
EUPL-100200	1000	2009	414	1000	1885	315
EUPL-100200	1000	2009	514	1000	1885	415
EUPL-100200	1000	2009	614	1000	1885	515
EUPL-100200	1000	2009	814	1000	1885	715
EUPL-100220	1000	2209	514	1000	2085	415
EUPL-100220	1000	2209	614	1000	2085	515
EUPL-100220	1000	2209	814	1000	2085	715

### MOUNTING PLATE WIDTH 600

EUPL CODE	CABINET DIMENSIONS			MOUNTING PLATE DIM.		
	B*	A	P	L	H	I (MAX)
EUPL-060140	600	1409	414	600	1285	315
EUPL-060140	600	1409	514	600	1285	415
EUPL-060160	600	1609	414	600	1485	315
EUPL-060160	600	1609	514	600	1485	415
EUPL-060160	600	1609	614	600	1485	515
EUPL-060160	600	1609	814	600	1485	715
EUPL-060180	600	1809	414	600	1685	315
EUPL-060180	600	1809	514	600	1685	415
EUPL-060180	600	1809	614	600	1685	515
EUPL-060180	600	1809	814	600	1685	715
EUPL-060200	600	2009	414	600	1885	315
EUPL-060200	600	2009	514	600	1885	415
EUPL-060200	600	2009	614	600	1885	515
EUPL-060200	600	2009	814	600	1885	715
EUPL-060200	600	2009	1014	600	1885	915
EUPL-060220	600	2209	514	600	2085	415
EUPL-060220	600	2209	614	600	2085	515
EUPL-060220	600	2209	814	600	2085	715

### MOUNTING PLATE WIDTH 1200

EUPL CODE	CABINET DIMENSIONS			MOUNTING PLATE DIM.		
	B*	A	P	L	H	I (MAX)
EUPL-120140	1200	1409	414	1200	1285	315
EUPL-120140	1200	1409	514	1200	1285	415
EUPL-120160	1200	1609	414	1200	1485	315
EUPL-120160	1200	1609	514	1200	1485	415
EUPL-120160	1200	1609	614	1200	1485	515
EUPL-120160	1200	1609	814	1200	1485	715
EUPL-120180	1200	1809	414	1200	1685	315
EUPL-120180	1200	1809	514	1200	1685	415
EUPL-120180	1200	1809	614	1200	1685	515
EUPL-120180	1200	1809	814	1200	1685	715
EUPL-120200	1200	2009	414	1200	1885	315
EUPL-120200	1200	2009	514	1200	1885	415
EUPL-120200	1200	2009	614	1200	1885	515
EUPL-120200	1200	2009	814	1200	1885	715
EUPL-120200	1200	2009	1014	1200	1885	915
EUPL-120220	1200	2209	514	1200	2085	415
EUPL-120220	1200	2209	614	1200	2085	515
EUPL-120220	1200	2209	814	1200	2085	715

### MOUNTING PLATE WIDTH 800

EUPL CODE	CABINET DIMENSIONS			MOUNTING PLATE DIM.		
	B*	A	P	L	H	I (MAX)
EUPL-080140	800	1409	414	800	1285	315
EUPL-080140	800	1409	514	800	1285	415
EUPL-080160	800	1609	414	800	1485	315
EUPL-080160	800	1609	514	800	1485	415
EUPL-080160	800	1609	614	800	1485	515
EUPL-080180	800	1809	414	800	1685	315
EUPL-080180	800	1809	514	800	1685	415
EUPL-080180	800	1809	614	800	1685	515
EUPL-080180	800	1809	814	800	1685	715
EUPL-080200	800	2009	414	800	1885	315
EUPL-080200	800	2009	514	800	1885	415
EUPL-080200	800	2009	614	800	1885	515
EUPL-080200	800	2009	814	800	1885	715
EUPL-080200	800	2009	1014	800	1885	915
EUPL-080220	800	2209	514	800	2085	415
EUPL-080220	800	2209	614	800	2085	515
EUPL-080220	800	2209	814	800	2085	715

### MOUNTING PLATE WIDTH 1400

EUPL CODE	CABINET DIMENSIONS			MOUNTING PLATE DIM.		
	B*	A	P	L	H	I (MAX)
EUPL-140200	1400	2009	414	1400	1885	315
EUPL-140200	1400	2009	514	1400	1885	415
EUPL-140200	1400	2009	614	1400	1885	515
EUPL-140200	1400	2009	814	1400	1885	715

### MOUNTING PLATE WIDTH 1600

EUPL CODE	CABINET DIMENSIONS			MOUNTING PLATE DIM.		
	B*	A	P	L	H	I (MAX)
EUPL-160140	1600	1409	414	1600	1285	315
EUPL-160140	1600	1409	514	1600	1285	415
EUPL-160200	1600	2009	414	1600	1885	315
EUPL-160200	1600	2009	514	1600	1885	415
EUPL-160200	1600	2009	614	1600	1885	515
EUPL-160200	1600	2009	814	1600	1885	715

## PARTIAL MOUNTING PLATES

Partial mounting plate manufactured from sendzimir sheet steel. Designed to allow an easy mounting in different positions (i.e. C, D, E) by using a universal mounting kit and optimizing the empty space between two plates in order to guarantee continuity in cable wiring.

### PARTIAL MOUNTING PLATES EUPZ

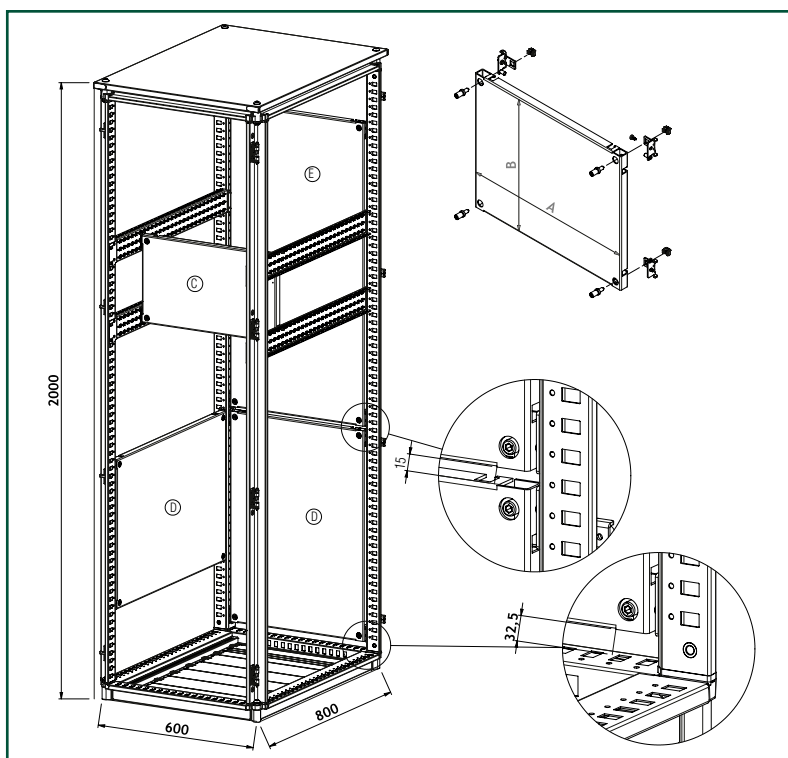
EUPZ CODE	DIMENSIONS		PLATE DIMENSIONS	
			A	B
EUPZ-040040	400	400	285	285
EUPZ-040050	400	500	285	385
EUPZ-040060	400	600	285	485
EUPZ-040070	400	700	285	585
EUPZ-040080	400	800	285	685
EUPZ-040090	400	900	285	785
EUPZ-040100	400	1000	285	885
EUPZ-040110	400	1100	285	985
EUPZ-040120	400	1200	285	1085
EUPZ-060050	600	500	485	385
EUPZ-060060	600	600	485	485
EUPZ-060070	600	700	485	585
EUPZ-060080	600	800	485	685
EUPZ-060090	600	900	485	785
EUPZ-060100	600	1000	485	885
EUPZ-060110	600	1100	485	985
EUPZ-060120	600	1200	485	1085
EUPZ-080050	800	500	685	385
EUPZ-080070	800	700	685	585
EUPZ-080080	800	800	685	685
EUPZ-080090	800	900	685	785
EUPZ-080100	800	1000	685	885
EUPZ-080110	800	1100	685	985
EUPZ-080120	800	1200	685	1085
EUPZ-100050	1000	500	885	385
EUPZ-100070	1000	700	885	585
EUPZ-100090	1000	900	885	785
EUPZ-100100	1000	1000	885	885
EUPZ-100110	1000	1100	885	985
EUPZ-100120	1000	1200	885	1085
EUPZ-120050	1200	500	1085	385
EUPZ-120070	1200	700	1085	585
EUPZ-120090	1200	900	1085	785
EUPZ-120110	1200	1100	1085	985
EUPZ-120120	1200	1200	1085	1085

Note: mounting kit WTKC-001 to be ordered separately (universal mounting kit for all installations)

Note: for partial mounting plate assembled in depth (see C), nr. 4 fast-fixing profile WTPR-075...RS to be ordered separately.

### FAST-FIXING BRACKET

WTPR CODE	CABINET DEPTH
WTPR-075040RS	400
WTPR-075050RS	500
WTPR-075060RS	600
WTPR-075080RS	800



### HOW TO ORDER

I.e. E NUX cabinet dim. 600x2000x800 with front blank door and rear panel (ENUX062008PR) and partial mounting plates

EUPZ partial mounting plate dim. 600x500, assembly C  
 Nr. 1 EUPZ-060050  
 Nr. 1 WTKC-001  
 Nr. 4 WTPR-075080RS

EUPZ partial mounting plate dim. 600x800, assembly D / E  
 Nr. 1 EUPZ-060080  
 Nr. 1 WTKC-001

### PARTIAL MOUNTING PLATE EUPR

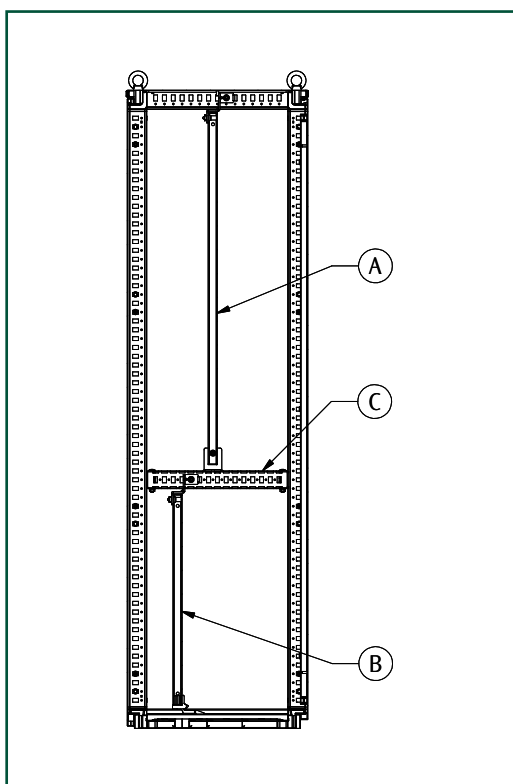
Partial mounting plates can be manufactured upon request.

Manufactured from 2.5 mm thick sendzimir sheet steel.

Mounting kit pos. A

Mounting kit pos. B.

**Note:** to be ordered separately: WTPR rails H=50 mm (C) and brackets WTSF-001 (see page 68).



#### PARTIAL MOUNTING PLATE

EUPR CODE	MOUNTING PLATE DIMENSIONS	
	L	H
EUPR-060060	485	600
EUPR-060080	485	800
EUPR-060120	485	1200
EUPR-080060	685	600
EUPR-080080	685	800
EUPR-080120	685	1200

### WTKA-001

Mounting kit pos. A.



### WTKB-002

Mounting kit pos. B.





**SUPPORTING BRACKETS WTSC-001**

Central support brackets for mounting plates.

**SUPPLY**

Includes 2 pieces with mounting accessories.

**Note:** fixing rails H=50 (see page 68) to be ordered separately.

**Note:** available on request.



**INTERMEDIATE MOUNTING PLATE EUPN**

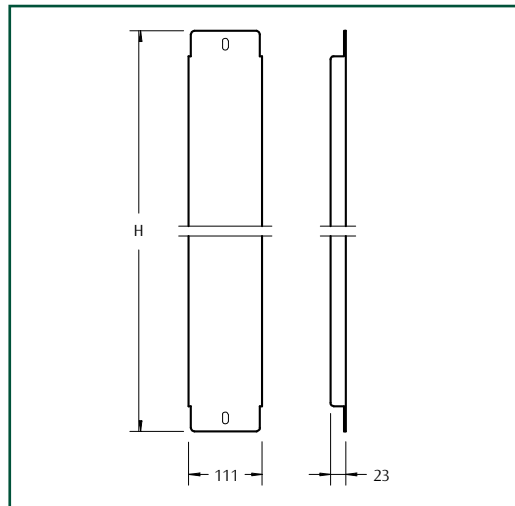
To give continuity to mounting plates between two cabinets mounted in a suite.

**CHARACTERISTICS**

Manufactured from 2.5 mm thick press bent sendzimir sheet steel.

**SUPPLY**

Includes 1 piece with mounting accessories.



INTERMEDIATE MOUNTING PLATE		
EUPN CODE	CABINET HEIGHT	H
EUPN-001400	1400	1286
EUPN-001600	1600	1486
EUPN-001800	1800	1686
EUPN-002000	2000	1886
EUPN-002200	2200	2086

**SUPPLEMENTARY MOUNTING PLATE EUPS**

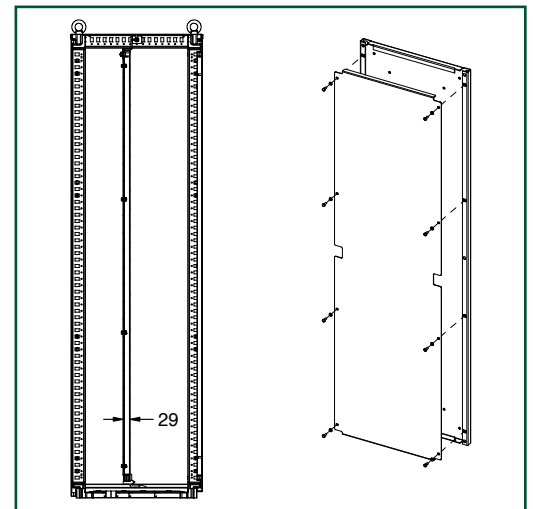
Applied on the rear part of a mounting plate to obtain a supplementary mounting plate.

**CHARACTERISTICS**

Manufactured from 2.5 mm thick sendzimir sheet steel.

**SUPPLY**

Includes 1 piece with mounting accessories.

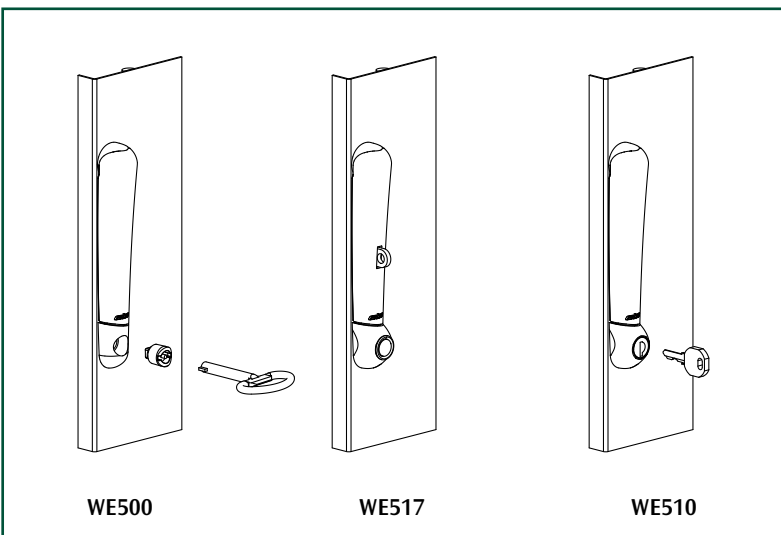


**SUPPLEMENTARY MOUNTING PLATE**

EUPS CODE	CABINET DIM.		M. PLATE DIM.	
	B	A	L	H
EUPS-040160	400	1609	280	1435
EUPS-040180	400	1809	280	1635
EUPS-040200	400	2009	280	1835
EUPS-040220	400	2209	280	2035
EUPS-060140	600	1409	480	1235
EUPS-060160	600	1609	480	1435
EUPS-060180	600	1809	480	1635
EUPS-060200	600	2009	480	1835
EUPS-060220	600	2209	480	2035
EUPS-080140	800	1409	680	1235
EUPS-080160	800	1609	680	1435
EUPS-080180	800	1809	680	1635
EUPS-080200	800	2009	680	1835
EUPS-080220	800	2209	680	2035
EUPS-100160	1000	1609	880	1435
EUPS-100180	1000	1809	880	1635
EUPS-100200	1000	2009	880	1835
EUPS-100220	1000	2209	880	2035

**LOCKING SYSTEMS**

The innovative latching system for E NUX cabinets is characterized by a lever-operated mechanism and rack motion system, with compact internal footprint and different inserts available. The technology of the closing system fits the unique ergonomic design of the handle, that conveys functionality and harmony to the solution.



Suite

**LOCKING SYSTEMS**

WE CODE	DESCRIPTION
WE500	E NUX ALUMINIUM HANDLE WITH 3 MM DOUBLE-BIT INSERT. RAL 5020
WE510	E NUX ALUMINIUM HANDLE WITH KEY LOCK INSERT. RAL 5020
WE515	E NUX ALUMINIUM HANDLE WITH PAD-LOCKING OPTION (PADLOCK NOT SUPPLIED). RAL 5020
WE516	E NUX ALUMINIUM HANDLE WITH KEY LOCK INSERT AND PAD-LOCKING OPTION (PADLOCK NOT SUPPLIED). RAL 5020
WE517	E NUX ALUMINIUM HANDLE WITH PAD-LOCKING OPTION AND PUSH-BUTTON RELEASE (PADLOCK NOT SUPPLIED). RAL 5020
WE518	E NUX ALUMINIUM HANDLE WITH PUSH-BUTTON RELEASE. RAL 5020
WE519*	E NUX PLASTIC COVER WITH 3 MM DOUBLE-BIT INSERT



**Note:** to order the WE500 and WE510 in Pantone 2717U, you have to add the suffix "A" to the code. For special painted cabinets, the handle will be supplied in black colour.

\* When ordering, specify if the door is right or left hinged.

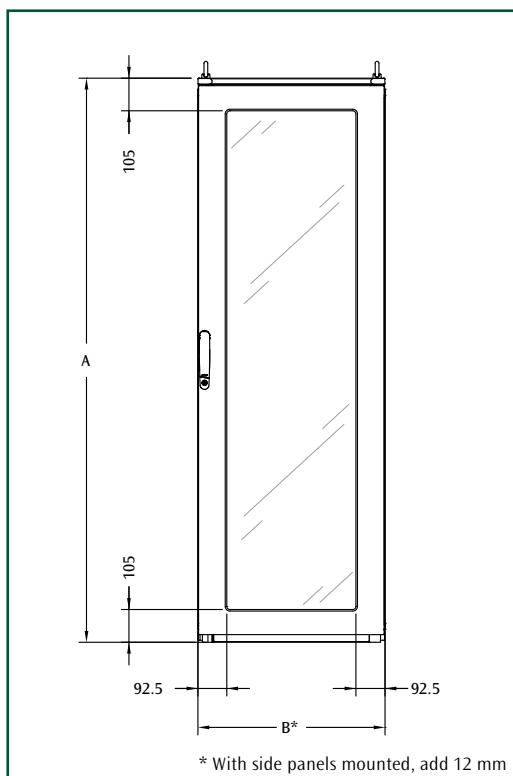
**LOCKING SYSTEMS**

WE CODE		DESCRIPTION
WE520		INSERT Ø 3 MM
WE522		KEY Ø 3 MM
WE530		INSERT Ø 5 MM
WE532		KEY Ø 5 MM
WE540		INSERT $\sphericalangle$ 7 MM
WE542		KEY $\sphericalangle$ 7 MM
WE550		INSERT $\sphericalangle$ 7 MM
WE552		KEY $\sphericalangle$ 7 MM
WE560		INSERT $\sphericalangle$ 8 MM
WE562		KEY $\sphericalangle$ 8 MM
WE570		FIAT INSERT
WE572		FIAT KEY





Suite



## PLEXI DOOR EUPV

### CHARACTERISTICS

Manufactured from 2.0 mm thick sheet steel with viewing window, tubular stiffening frame and 4.0 mm thick clear Plexiglas.

### PAINT FINISH

ETA standard epoxy polyester powder coating.  
Colour: RAL 7035 textured finish.

### SUPPLY

- two upright rails complete with accessories
- door complete with sealing gasket, tubular stiffening frame and  $\varnothing$  3mm lever-operated double bar locking system.

### PROTECTION RATING

- IP55 complying with IEC EN62208; EN60529
- NEMA 12 complying with UL508A; UL50
- impact resistance IK10 complying with IEC EN62208; EN62262.

## PLEXI DOOR

EUPV CODE	CABINET DIMENSIONS	
	B*	A
EUPV060140	600	1409
EUPV060160	600	1609
EUPV060180	600	1809
EUPV060200	600	2009
EUPV060220	600	2209
EUPV080140	800	1409
EUPV080160	800	1609
EUPV080180	800	1809
EUPV080200	800	2009
EUPV080220	800	2209
EUPV100160	1000	1609
EUPV100180	1000	1809
EUPV100200	1000	2009
EUPV100220	1000	2209

**Note:** E NUX cabinet with plexi door available in:

- Assembled version: see page 34, 35, 36 to choose the part numbers E NUX...PV
- Flat-pack version: see above to choose the part numbers of the plexi door EUPV (provided with front uprights) and see page 34, 35, 36 to complete the cabinet with EUTF (top + bottom) and EURE (rear panel + rear uprights).

**Note:** glazed door available on request.

**Note:** codes are referring to the version with handle in RAL 5020. Available on demand in version Pantone 2717U; to order you have to add the suffix "A" to the code (i.e.: EUPV060140A).



## SPLIT VERTICAL DOORS EUPO

### CHARACTERISTICS

Door manufactured from 2.0 mm thick press bent sheet steel material.

### PAINT FINISH

ETA standard epoxy polyester powder coating.  
Colour: RAL 7035 textured finish.

### SUPPLY

- door W=800 with split vertical doors 400+400 (H=1800 and 2000)
- available on request doors with different dimensions (i.e. W=1200 with split doors 800+400/ W=1000 with split doors 800+200).

### PROTECTION RATING

- IP55 complying with EN62208; EN60529
- NEMA 12 complying with UL508A; UL50
- impact resistance IK10 complying with EN62208; EN62262.

**Note:** available on request.

**Note:** available on request split vertical doors with door stop for Dis-connector (see page 71).



Suite

## DOOR STOP WTFP-001

Allows the mechanical stop of the door at 90°, preventing the accidental closing.  
This equipment is compatible with the 180° rack structure mounted in the most forward position and the E NUX plexi/glazed doors too.

### CHARACTERISTICS

Manufactured from 2.5 mm thick zincpassivated sheet steel.

### SUPPLY

Includes 1 piece with accessories.

**Note:** available on request the item for allowing the mechanical stop of the door at 135°. (Code WTFP-002)







### INNER DOOR EUPI

#### CHARACTERISTICS

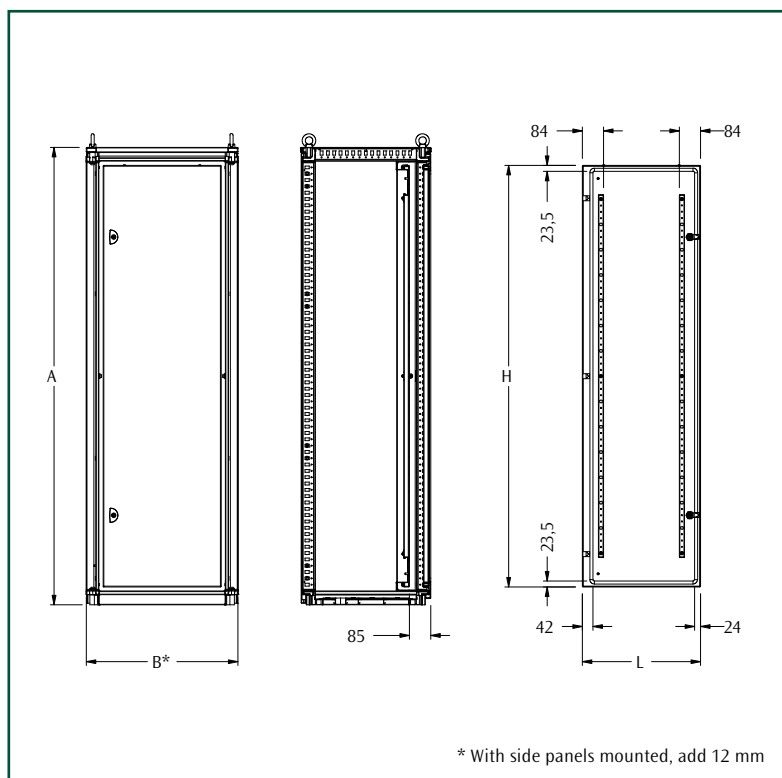
Manufactured from 2.0 mm thick sheet steel supplied complete with vertical uprights and horizontal rails.

#### PAINT FINISH

ETA standard epoxy polyester powder coating.  
Colour: RAL 7035 textured finish.

#### SUPPLY

- door complete with  $\varnothing$  3 mm double bar locking system and hinges
- vertical uprights and horizontal rails
- mounting accessories.



INNER DOOR				
EUPI CODE	CABINET DIMENSIONS		INNER DOOR DIM.	
	B*	A	L	H
EUPI060140	600	1409	467	1267
EUPI060160	600	1609	467	1467
EUPI060180	600	1809	467	1667
EUPI060200	600	2009	467	1867
EUPI060220	600	2209	467	2067
EUPI080140	800	1409	667	1267
EUPI080160	800	1609	667	1467
EUPI080180	800	1809	667	1667
EUPI080200	800	2009	667	1867
EUPI080220	800	2209	667	2067
EUPI100160	1000	1609	867	1467
EUPI100180	1000	1809	867	1667
EUPI100200	1000	2009	867	1867
EUPI100220	1000	2209	867	2067

PROFILES FOR INNER DOOR**	
WTPP CODE	CABINET HEIGHT
WTPP-001400	1400
WTPP-001600	1600
WTPP-001800	1800
WTPP-002000	2000
WTPP-002200	2200

\*\* Available on request: profiles for inner door (supply includes 2 pieces).





## LATERAL DOOR EUPF

### CHARACTERISTICS

Manufactured from 1.5 mm thick sheet steel.

### PAINT FINISH

ETA standard epoxy polyester powder coating.  
Colour: RAL 7035 textured finish.

### SUPPLY

- door complete with sealing gasket,  $\varnothing$  3mm lever operated double bar locking system
- 4 hinges
- mounting accessories.

**Note:** codes are referring to the version with roof and handle in RAL 5020. Available on demand in version Pantone 2717U; to order you have to add the suffix "A" to the code of (i.e.: EUPF040140A).

## SIDE PANELS EUFI

### CHARACTERISTICS

Manufactured from press-bent sheet steel with rounded folding.

### PAINT FINISH

ETA standard epoxy polyester powder coating.  
Colour: RAL 7035 textured finish.

### SUPPLY

- two side panels
- rapid fastening couplers
- mounting accessories.

**Note:** to order a pair of side panels for mounting on hinge side 180°, you have to add the suffix "C" to the code (i.e.: EUFI040140C).

## LATERAL DOOR

EUPF CODE	DIMENSIONS	
	HEIGHT	DEPTH
EUPF040140	1400	400
EUPF050140	1400	500
EUPF060140	1400	600
EUPF040160	1600	400
EUPF050160	1600	500
EUPF060160	1600	600
EUPF040180	1800	400
EUPF050180	1800	500
EUPF060180	1800	600
EUPF080180	1800	800
EUPF040200	2000	400
EUPF050200	2000	500
EUPF060200	2000	600
EUPF080200	2000	800
EUPF050220	2200	500
EUPF060220	2200	600
EUPF080220	2200	800

## SIDE PANELS

EUFI CODE	DIMENSIONS	
	HEIGHT	DEPTH
EUFI040140	1400	400
EUFI050140	1400	500
EUFI040160	1600	400
EUFI050160	1600	500
EUFI060160	1600	600
EUFI040180	1800	400
EUFI050180	1800	500
EUFI060180	1800	600
EUFI080180	1800	800
EUFI040200	2000	400
EUFI050200	2000	500
EUFI060200	2000	600
EUFI080200	2000	800
EUFI100200	2000	1000
EUFI050220	2200	500
EUFI060220	2200	600
EUFI080220	2200	800

Suite

## MODULAR PLINTH EUZE

### CHARACTERISTICS

Corner pieces manufactured from 2.5 mm thick press bent sheet steel, with PVC front covers caps. Front and side crosspieces manufactured from 2.0 mm thick press bent sheet steel.

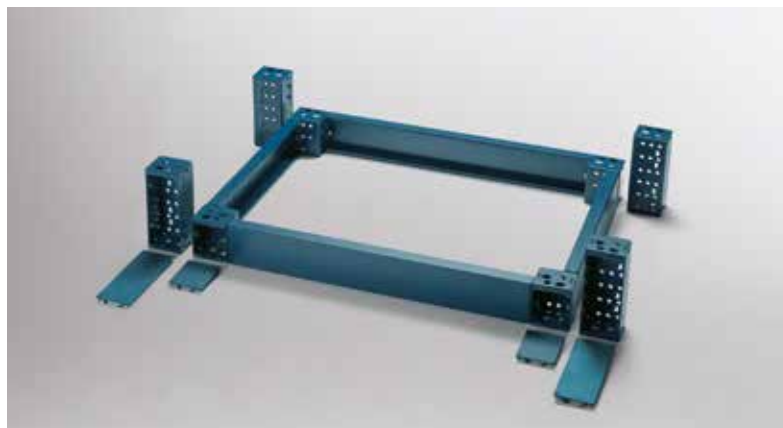
### PAINT FINISH

ETA standard epoxy polyester powder coating.  
Colour: RAL 5020 textured finish.

### SUPPLY

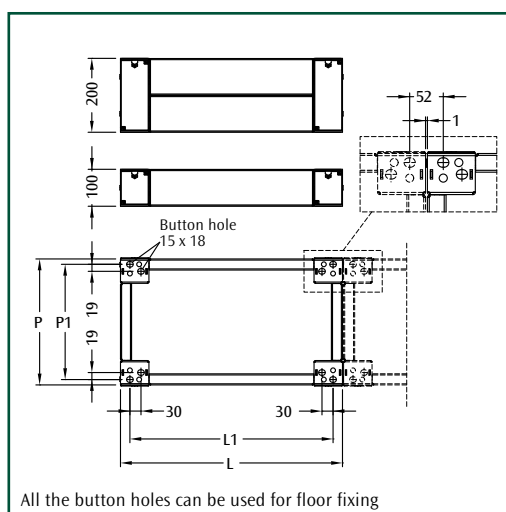
The modular plinth is made up of:

- corner pieces: supply includes 4 pieces complete with front covers and mounting hardware
- front crosspieces: supply includes 2 pieces
- side crosspieces: supply includes 2 pieces.



### DIMENSIONAL SPECIFICATIONS

CABINET DIM.		PLINTH DIM.		CENT. DISTANCES	
L	P	L	P	L1	P1
300	400	300	378	249	349
300	500	300	478	249	449
300	600	300	578	249	549
300	800	300	778	249	749
400	400	400	378	349	349
400	500	400	478	349	449
400	600	400	578	349	549
400	800	400	778	349	749
600	400	600	378	549	349
600	500	600	478	549	449
600	600	600	578	549	549
600	800	600	778	549	749
600	1000	600	978	549	949
800	400	800	378	749	349
800	500	800	478	749	449
800	600	800	578	749	549
800	800	800	778	749	749
800	1000	800	978	749	949
1000	400	1000	378	949	349
1000	500	1000	478	949	449
1000	600	1000	578	949	549
1000	800	1000	778	949	749
1200	400	1200	378	1149	349
1200	500	1200	478	1149	449
1200	600	1200	578	1149	549
1200	800	1200	778	1149	749
1200	1000	1200	978	1149	949
1400	400	1400	378	1349	349
1400	500	1400	478	1349	449
1400	600	1400	578	1349	549
1400	800	1400	778	1349	749
1600	400	1600	378	1549	349
1600	500	1600	478	1549	449
1600	600	1600	578	1549	549
1600	800	1600	778	1549	749



### UNIVERSAL CORNER PIECES

EUZE CODE	DESCRIPTION
EUZE-A100	CORNER PIECES FOR PLINTH H=100
EUZE-A200	CORNER PIECES FOR PLINTH H=200

**Note:** supply includes 4 pieces with mounting accessories.

### SIDE/FRONT CROSSPIECES

EUZE CODE	DESCRIPTION	CROSS. LENGTH MM
EUZE-T0300	PLINTH CROSSPIECES L=300	144
EUZE-T0400	PLINTH CROSSPIECES L=400	244
EUZE-T0500	PLINTH CROSSPIECES L=500	344
EUZE-T0600	PLINTH CROSSPIECES L=600	444
EUZE-T0800	PLINTH CROSSPIECES L=800	644
EUZE-T1000	PLINTH CROSSPIECES L=1000	844
EUZE-T1200	PLINTH CROSSPIECES L=1200	1044
EUZE-T1400	PLINTH CROSSPIECES L=1400	1244
EUZE-T1600	PLINTH CROSSPIECES L=1600	1444

**Note:** to order the front and side crosspieces H=200, add the suffix "D" to the code (i.e.: EUZE-T0300D).

**Note:** supply includes 2 pieces.

**Note:** codes are referring to the version in RAL 5020. Available on demand in version Pantone 2717U; to order you have to add the suffix "A" to the code (i.e.: EUZE-A100A, EUZE-T0300A, EUZE-T0300DA).



### WATERTIGHT PLINTH H=200 MM EUZ3

To be used as a conduit for cables passage and to protect cables from chemical agents and accidental shocks.

Suite

#### CHARACTERISTICS

Manufactured from 2.0 mm thick press bent and welded sheet steel.

#### PAINT FINISH

ETA standard epoxy polyester powder coating.  
Colour: RAL 5020 textured finish.

#### SUPPLY

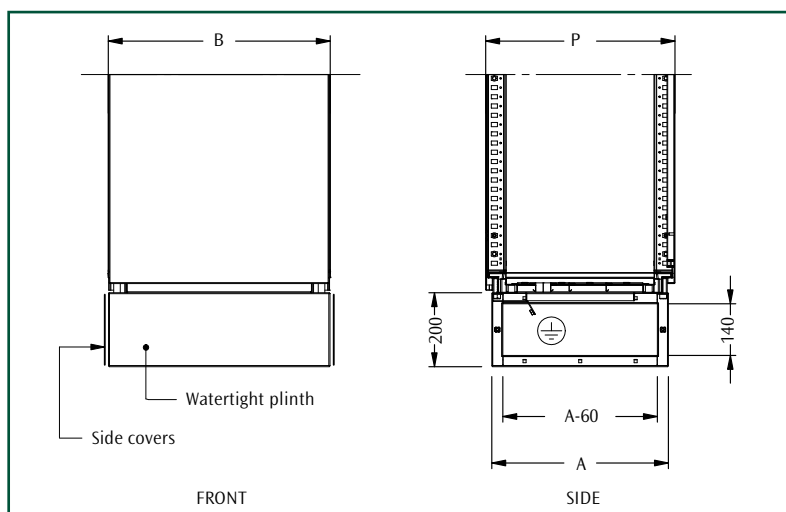
- plinth (without covers)
- adhesive gasket
- mounting accessories.

**Note:** two side covers to be ordered separately.

**Note:** the codes are related to the RAL 5020 version. Available on demand in Pantone 2717U version; to order you have to add the suffix "A" to the code (i.e.: EUZ3-040040A).

### WATERTIGHT PLINTH H=200 MM

EUZ3 CODE	CABINET DIM.		PLINTH	
	B	P	B	A
EUZ3-040040	400	414	400	378
EUZ3-040050	400	514	400	478
EUZ3-040060	400	614	400	578
EUZ3-040080	400	814	400	778
EUZ3-060040	600	414	600	378
EUZ3-060050	600	514	600	478
EUZ3-060060	600	614	600	578
EUZ3-060080	600	814	600	778
EUZ3-080040	800	414	800	378
EUZ3-080050	800	514	800	478
EUZ3-080060	800	614	800	578
EUZ3-080080	800	814	800	778
EUZ3-100040	1000	414	1000	378
EUZ3-100050	1000	514	1000	478
EUZ3-100060	1000	614	1000	578
EUZ3-100080	1000	814	1000	778
EUZ3-120040	1200	414	1200	378
EUZ3-120050	1200	514	1200	478
EUZ3-120060	1200	614	1200	578
EUZ3-120080	1200	814	1200	778



### TWO SIDE COVERS EUFL

#### SUPPLY

- two side covers with gasket
- mounting accessories.

**Note:** the codes are related to the RAL 5020 version. Available on demand in Pantone 2717U version; to order you have to add the suffix "A" (i.e.: EUFL-000400A).

### TWO SIDE COVERS

EUFL CODE	CABINET DEPTH
EUFL-000400	400
EUFL-000500	500
EUFL-000600	600
EUFL-000800	800

Suite

### LIFTING DEVICE FOR JOINED CABINETS TR-01

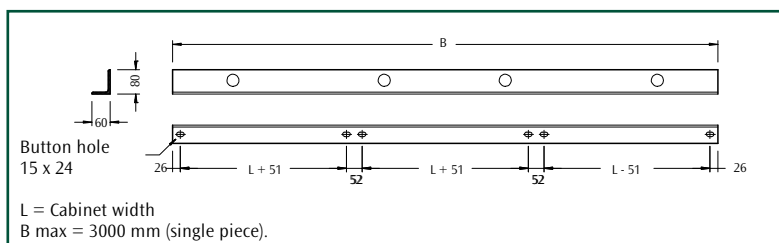
#### CHARACTERISTICS

“L” shaped profile hot-rolled 80 x 60 mm.

#### PAINT FINISH

Colour: RAL 5020 textured finish.

Note: available on request.



### TRANSPORTATION PLINTH EUZU

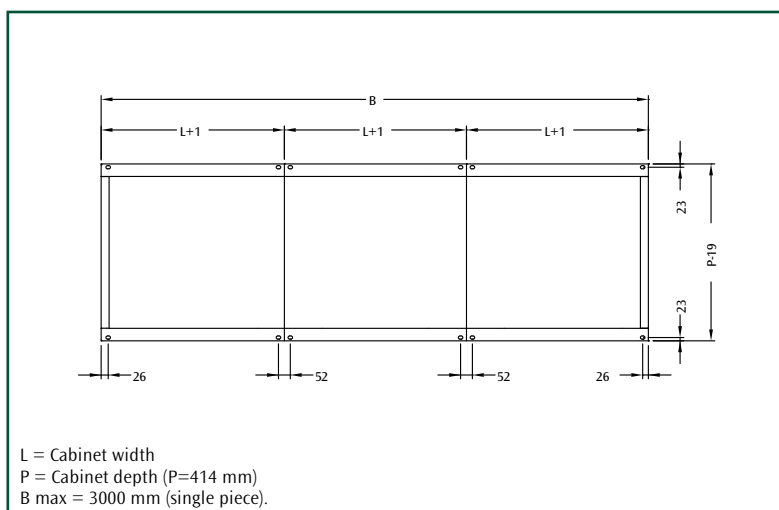
Available in 2 versions:

- 1 Manufactured from 3.0 mm thick press bent sheet steel, 100mm high
- 2 “U” shaped hot-rolled profile, 100 mm high.

#### PAINT FINISH

Colour: RAL 5020 textured finish.

Note: available on request.



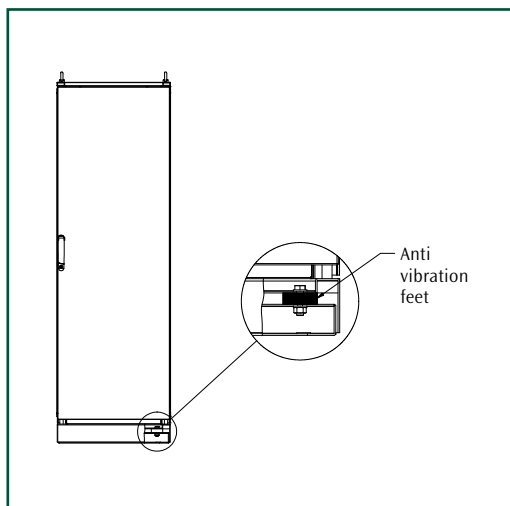
### ANTI VIBRATION PLINTH EUZV

Manufactured from 3.0 mm thick press bent sheet steel, H=100mm, with special anti vibration devices.

#### PAINT FINISH

Colour: RAL 5020 textured finish.

Note: available on request.



The seismic design study starts from the vulnerability evaluation of the structure located in different geographical scales. Thanks to the activity developed together with the Foundation Eucentre Pavia, TREES Lab (Laboratory for Training and Research in Earthquake Engineering and Seismology), we have set the following research activities:

- 1 Modelling and numerical simulation of the seismic response of two cabinets, in order to study, during the design phase, the behaviour that the systems considered (E NUX with anti-vibration plinth and E NUX with anti-seismic kit) would have manifested towards seismic actions in various geographical areas and on different soils.
- 2 Seismic simulation of the two cabinets dynamic behaviour on a vibrating table, with experimental tests on structures in order to realize experimental research on prototypes, also in large-scale (both static and dynamic tests).

Note: for more information, see the Technical section on page 327.

### BASIC VERSION

#### TECHNICAL DATA

Peak acceleration  $\leq 1G$ .  
Mounting plate loaded up to 130 Kgs.

#### CHARACTERISTICS

- Plinth manufactured from press bent sheet steel, thickness 3.0 mm H=100, with anti-vibration elements and the possibility of floor fixing. Painting colour: RAL 5020 textured finish.
- Rails WTPR (2 pieces) mounted in depth for the central fixing of the mounting plate + WTSF-001.



### MEDIUM VERSION

#### TECHNICAL DATA

Peak acceleration  $\leq 1G$ .  
Loaded mounting plate  $> 130 \leq 450$  Kgs.

#### CHARACTERISTICS

- Plinth manufactured from press bent sheet steel, thickness 3.0 mm H=100, with anti-vibration elements and the possibility of floor fixing. Painting colour: RAL 5020 textured finish.
- Rails WTPR (2 pieces) mounted in depth for the central fixing of the mounting plate + WTSF-001.
- 2 top and bottom fixing brackets for mounting plate, manufactured of galvanized steel, thickness 3.0 mm.

SEISMIC DESIGN				
EUKA CODE	VERSION	CABINET DIM.		
		L	A	P
EUKA-080060B	BASIC VERSION	800	ALL	600
EUKA-080080B	BASIC VERSION	800	ALL	800
EUKA-080060M	MEDIUM VERSION	800	ALL	600
EUKA-080080M	MEDIUM VERSION	800	ALL	800
EUKA-082006S	STRONG VERSION	800	2000	600
EUKA-082008S	STRONG VERSION	800	2000	800



### STRONG VERSION

#### TECHNICAL DATA

Peak acceleration  $> 1G$ .  
Loaded mounting plate  $\leq 450$  Kgs.

#### CHARACTERISTICS

- Plinth manufactured from press bent sheet steel, thickness 3.0 mm H=100, with anti-vibration elements and the possibility of floor fixing. Painting colour: RAL 5020 textured finish.
- Rails WTPR (2 pieces) mounted in depth for the central fixing of the mounting plate + WTSF-001.
- 2 top and bottom fixing brackets for mounting plate, manufactured of galvanized steel, thickness 3.0 mm.
- 4 stiffening frames manufactured from galvanized steel, thickness 2.0 mm.
- 8 stiffening structure brackets manufactured from galvanized steel, thickness 3.0 mm.

Suite



### SPECIAL SOLUTIONS FOR E NUX CABINETS WITH IP > 55 OR NEMA 4 / NEMA 4X

For IP protection rating or NEMA that are different from the standard (E NUX IP55 / NEMA 12), special cabinets supplied already mounted are available.

Material: mild steel or stainless steel AISI304L / AISI316L

Application: indoor or outdoor

Version: single blank door cabinet in stand-alone version or joined in a suite.

### SPECIAL CABINET IP>55

Material: mild steel and stainless steel AISI304L or AISI316L

Application: indoor or outdoor

### CHARACTERISTICS

E NUX cabinet supplied already mounted, with panels provided with silicone seal, specific kit of screws and components, unique base plate for cable entry bottom. Mandatory rain canopy for outdoor applications, supplied not assembled on the cabinet.

### PAINT FINISH

ETA standard epoxy polyester powder coating. Colour: RAL 7035 textured finish.

For outdoor applications: Double layer of special powder coating: epoxy polyester resin primer and second polyester layer with anticorrosion pigments (colour RAL7035 smooth).

### SPECIAL CABINET NEMA 4

Material: mild steel

Application: indoor or outdoor

### CHARACTERISTICS

E NUX cabinet supplied already mounted, with panels provided with silicone seal, specific kit of screws and components, unique base plate for cable entry bottom. Mandatory rain canopy for outdoor applications, supplied not assembled on the cabinet.

### PAINT FINISH

ETA standard epoxy polyester powder coating. Colour: RAL 7035 textured finish.

For outdoor applications: Double layer of special powder coating: epoxy polyester resin primer and second polyester layer with anticorrosion pigments (colour RAL7035 smooth).

### SPECIAL CABINET NEMA 4X

Material: stainless steel AISI304L or AISI316L

Application: indoor or outdoor

### CHARACTERISTICS

E NUX cabinet supplied already mounted, with panels provided with silicone seal, specific kit of screws and components, unique base plate for cable entry bottom. Mandatory rain canopy for outdoor applications, supplied not assembled on the cabinet.

**Note:** for particularly harsh outdoor applications, we recommend the use of stainless steel solutions. For further information, see the Technical section or ask for our E BOOK.



### RAIN CANOPY EUTT

Particularly suitable for outdoor applications, where it is required an additional protection from atmospheric agents. We recommend the use of a cycle of special polyester painting for outdoor.

#### CHARACTERISTICS

Manufactured from 1.5 mm sheet steel. Available for single cabinets or cabinets joined in a suite.  
H = 40 mm.

#### PAINT FINISH

ETA standard epoxy polyester powder coating.  
Colour: RAL 5020 textured finish.

#### SUPPLY

Includes 1 piece complete with mounting accessories.

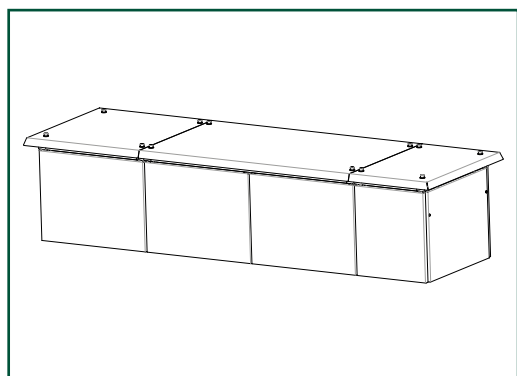
**Note:** rain canopy with different inclinations and angles are available on request.

**Note:** different dimensions available on request.



#### RAIN CANOPY

EUTT CODE	CABINET DIMENSIONS	
	W	D
EUTT080060	800	600
EUTT080080	800	800



### BLANK BASE EUFC

#### CHARACTERISTICS

Manufactured from a single piece 1.5 mm thick sendzimir sheet steel.

#### SUPPLY

Includes 1 piece with mounting accessories.



#### BLANK BASE

CODE EUFC	DIMENSIONS	
	WIDTH	DEPTH
EUFC-040040	400	400
EUFC-040050	400	500
EUFC-040060	400	600
EUFC-040080	400	800
EUFC-060040	600	400
EUFC-060050	600	500
EUFC-060060	600	600
EUFC-060080	600	800
EUFC-080040	800	400
EUFC-080050	800	500
EUFC-080060	800	600
EUFC-080080	800	800
EUFC-100040	1000	400
EUFC-100050	1000	500
EUFC-100060	1000	600
EUFC-100080	1000	800
EUFC-120040	1200	400
EUFC-120050	1200	500
EUFC-120060	1200	600
EUFC-120080	1200	800



Suite



**CASTORS WTRU-001**

High quality polyamide wheels. Load capacity 120 kgs each wheel.

**SUPPLY**

Includes 4 pieces (2 rotating wheels, 2 wheels with brake).



**LEVELLING FEET WTPX-001**

They can be applied on the cabinet structure or plinth. Suitable for un-even floors or applications that require cleaning under the cabinet.

**CHARACTERISTICS**

In PVC, screws made from zinc steel.

**SUPPLY**

Includes 4 pieces with plate and mounting accessories.

**Note:** for suite cabinets, order levelling feet WTPX-002.

**ONE PIECE CABLE ENTRY BOX FOR JOINED CABINETS**

**CHARACTERISTICS**

Manufactured from 2.0 mm thick press bent sheet steel.

**PAINT FINISH**

Colour: RAL 7035 textured finish.

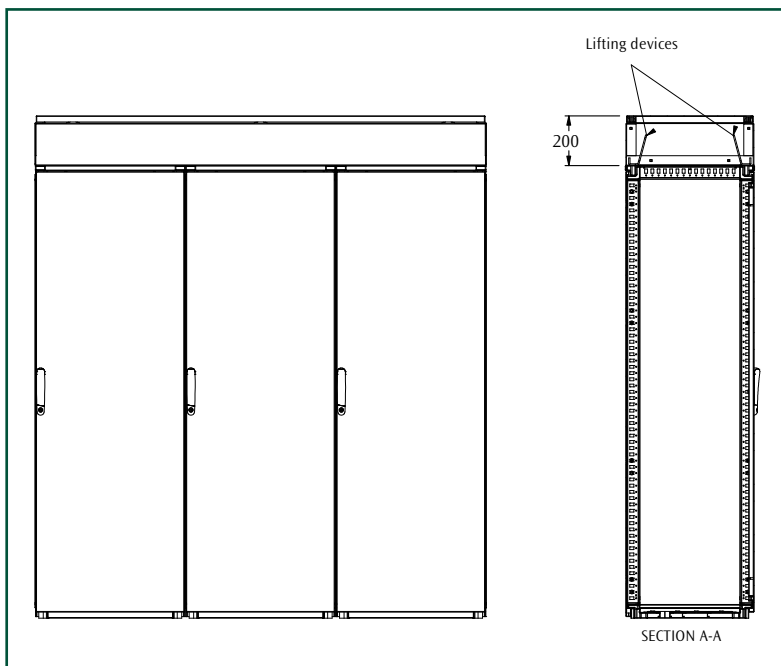
**SUPPLY**

Includes 1 piece cable entry box with lifting devices.



**Note:** available in one piece up to 1800 mm wide.

**Note:** available on request.





### CABLE ENTRY BOX EUVC

For mounting on cabinet roof, it offers complete accessibility from each side and allows cabling or bus-bar systems to be installed.

#### CHARACTERISTICS

Structure manufactured from 1.2 mm thick sheet steel, complete with fixing and lifting joints.

#### PAINT FINISH

ETA standard epoxy polyester powder coating.  
Colour: RAL 7035 textured finish.

#### SUPPLY

Includes:

- cable entry box with rear and front panel
- adhesive gasket.

#### PROTECTION RATING

IP55.

**Note:** to be ordered separately:

1. side covers
2. use cabinet roof to close top of cable entry box
3. dividing panel between cable entry box and cabinet is available on request (manufactured from 1.5 mm thick sendzimir sheet steel including gasket).

### CABLE ENTRY BOX

EUVC CODE	DIMENSIONS		B*	P**
	WIDTH	DEPTH		
EUVC040050	400	500	400	514
EUVC040060	400	600	400	614
EUVC040080	400	800	400	814
EUVC060050	600	500	600	514
EUVC060060	600	600	600	614
EUVC060080	600	800	600	814
EUVC080050	800	500	800	514
EUVC080060	800	600	800	614
EUVC080080	800	800	800	814
EUVC100050	1000	500	1000	514
EUVC100060	1000	600	1000	614
EUVC100080	1000	800	1000	814
EUVC120050	1200	500	1200	514
EUVC120060	1200	600	1200	614
EUVC120080	1200	800	1200	814

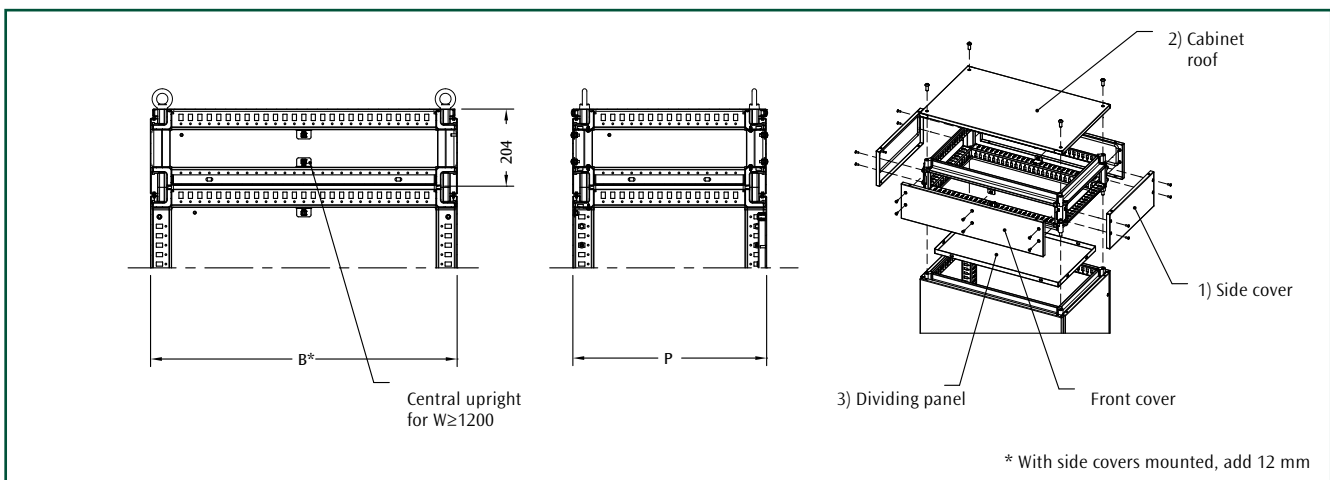
\*\* Including front covers

### SIDE COVERS (2 PIECES)

EUJV CODE	CABINET DEPTH
EUJV000500	500
EUJV000600	600
EUJV000800	800

### DIVIDING PANEL (ON REQUEST)

EULC CODE	CABINET DIMENSIONS	
	WIDTH	DEPTH
EULC-040050	400	500
EULC-040060	400	600
EULC-040080	400	800
EULC-060050	600	500
EULC-060060	600	600
EULC-060080	600	800
EULC-080050	800	500
EULC-080060	800	600
EULC-080080	800	800
EULC-100050	1000	500
EULC-100060	1000	600
EULC-100080	1000	800
EULC-120050	1200	500
EULC-120060	1200	600
EULC-120080	1200	800



### REINFORCING BRACKETS EUKU-003

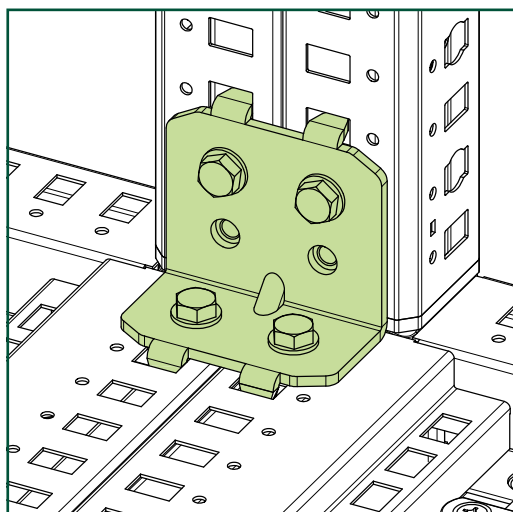
To be used to provide more rigidity to cabinets joined in a suite.

#### CHARACTERISTICS

Manufactured from 4.0 mm thick zincpassivated sheet steel.

#### SUPPLY

Includes 4 pieces with mounting accessories.



### UNIVERSAL JOINING KIT EUKU-008

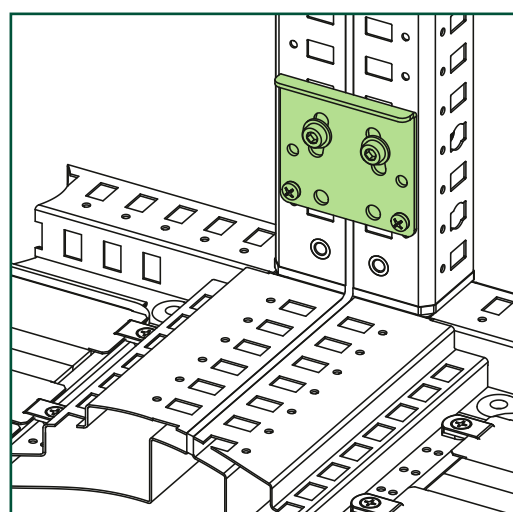
Fast-fixing joining kit, designed to easily join E NUX cabinets. The item combines the strenght of the solution to the flexibility of its application and assembly.

#### CHARACTERISTICS

Manufactured from zinc-passivated sheet steel.

#### SUPPLY

Includes nr. 8 pieces with mounting accessories.



### JOINING KIT EUKU-001/EUKU-002

To be used to join two cabinets together. It's recommended to use lifting brackets WTSS-001 instead of lifting eyebolts.

#### CHARACTERISTICS

Union spacers and mounting accessories manufactured from zinc sheet steel with adhesive gasket to guarantee IP protection degree.

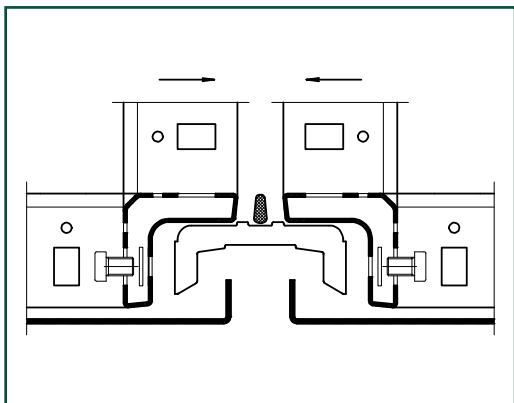
#### SUPPLY

Includes union spacers and fixing accessories.  
 EUKU-001 includes 4 pieces for cabinet H=1400  
 EUKU-002 includes 8 pieces for cabinet H=1600/1800/2000/2200.



#### JOINING KIT

EUKU CODE	CABINET HEIGHT
EUKU-001	1400
EUKU-002	1600
EUKU-002	1800
EUKU-002	2000
EUKU-002	2200



**Note:** E NUX suite cabinets are provided with CE, ATEX, TUV, RINA, cULus, EAC, ROHS marks, with protection rating IP55, NEMA 12, IK10.

### JOINING KIT EUKU-005/EUKU-006

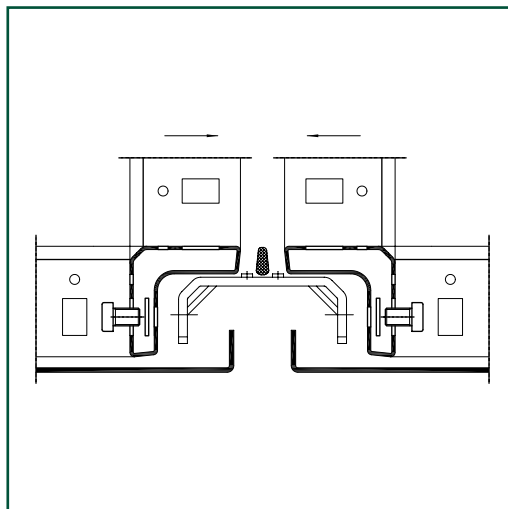
#### CHARACTERISTICS

Simplified solution of joining kit manufactured from 4.0 mm thick pressed zincpassivated sheet steel.

#### SUPPLY

EUKU-005 includes 4 pieces for cabinet H=1400  
 EUKU-006 includes 8 pieces for cabinet H=1600/1800/2000/2200.

**Note:** E NUX suite cabinets are provided with CE, ATEX, TUV, RINA, cULus, EAC, ROHS marks, with protection rating IP55, NEMA 12, IK10.



#### JOINING KIT

EUKU CODE	CABINET HEIGHT
EUKU-005	1400
EUKU-006	1600
EUKU-006	1800
EUKU-006	2000
EUKU-006	2200



### RAIL H=50 MM WTPR

A unique easy mounted rail is used for all applications (horizontal, lateral and vertical mounting).

#### CHARACTERISTICS

Manufactured from 1.5 mm thick sendzimir sheet steel with holes at 25 mm. To be assembled to the structure with fixing brackets for rails WTSF-001.

#### SUPPLY

Includes 4 pieces.

**Note:** fixing brackets WTSF-001 to be ordered separately.

RAILS H=50 MM	
WTPR CODE	RAIL LENGTH
WTPR-050040	300
WTPR-050050	400
WTPR-050060	500
WTPR-050080	700
WTPR-050100	900
WTPR-050120	1100
WTPR-050140	1300
WTPR-050160	1500
WTPR-050180	1700
WTPR-050200	1900
WTPR-050220	2100



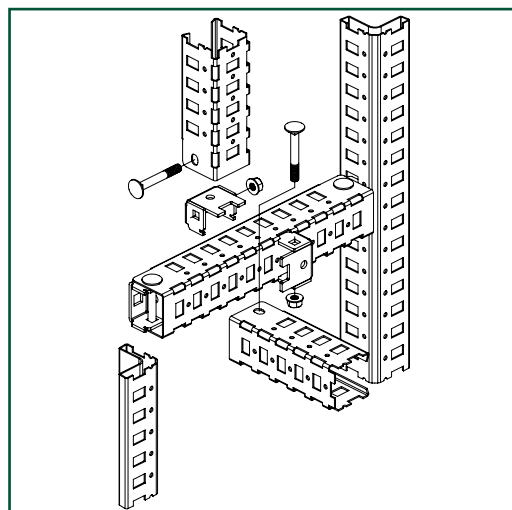
### FIXING BRACKETS FOR RAILS WTSF-001

#### CHARACTERISTICS

Manufactured from 2.5 mm thick zincpassivated sheet steel.

#### SUPPLY

Includes 8 pieces with mounting accessories.



### FAST FIXING BRACKETS WTPR - R

A cost effective solution allowing rapid fixing and professional result.

#### CHARACTERISTICS

Manufactured from 2.0 mm thick sendzimir sheet steel.

#### SUPPLY

Includes 4 pieces.



#### RAILS H=25 MM

WTPR CODE	CABINET DIMENSIONS
WTPR-025040R	400
WTPR-025050R	500
WTPR-025060R	600
WTPR-025080R	800
WTPR-025100R	1000

#### RAILS H=50 MM

WTPR CODE	CABINET DIMENSIONS
WTPR-050040R	400
WTPR-050050R	500
WTPR-050060R	600
WTPR-050080R	800
WTPR-050100R	1000

**Note:** self-tapping screws WA218 (supply includes 50 screws Ø5.5x13) to be ordered separately.

### FAST-FIXING RAILS WTPR

Manufactured from sendzimir sheet steel, designed for the fixing in depth on E NUX or E MOX cabinets supplied with EUMI uprights.

#### SUPPLY

Includes nr. 4 pieces.



#### RAILS

WTPR CODE	CABINET DEPTH
WTPR-0600R	600
WTPR-0800R	800

### WA218

Zincpassivated self-tapping screws ø 5.5x13.

#### SUPPLY

Includes 50 pieces.





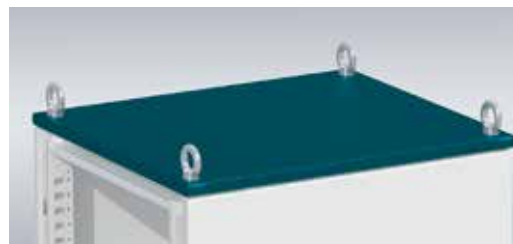
### EYEBOLTS WTGS-001

#### CHARACTERISTICS

Zincpassivated M12 lifting eyebolts.

#### SUPPLY

Includes 4 pieces.



### LIFTING BRACKETS WTSS-001

#### CHARACTERISTICS

Lifting brackets manufactured from 5.0 mm thick zincpassivated sheet steel.

#### SUPPLY

Includes 4 pieces.

**Note:** if 2 lifting brackets only are needed, order WTSS-001CP.



### 180° DOOR HINGES EUCE

Hinges for 180° opening to be mounted on standard doors, complete with mounting accessories.

#### CHARACTERISTICS

Manufactured from pressed zama.

#### PAINT FINISH

Colour: RAL 5020 smooth finish.

#### SUPPLY

EUCE-180001 supply includes 4 pieces

EUCE-180002 supply includes 5 pieces

EUCE-180003 supply includes 3 pieces.

**Note:** to be ordered separately side panels EUFI-C for the assembly on the side provided with 180° hinges, see page 57.

**Note:** codes are referring to the version in RAL 5020. Available on demand in version Pantone 2717U; to order you have to add the suffix "A" to the code (i.e.: EUCE-180001A).



180° HINGES	
EUCE CODE	DOOR HEIGHT
EUCE-180001	1800 - 2000
EUCE-180002	2200
EUCE-180003	1400 - 1600



## DOOR LOCK FOR CABINETS JOINED IN A SUITE WTBP

It can be used on E NUX enclosures joined in a suite, as a complement to the door lock of the standard main switches. The secondary doors in line are opened only after the main door/s has opened. The position of the main switch of flat-pack enclosures is not binding, as it is independent of the door recess. The opening/closing of secondary doors occurs simultaneously, following the locking/unlocking of the door with the main switch.

### CHARACTERISTICS

Door lock parts manufactured from 2.5 mm thick galvanized sheet steel. Connection blocks and transmission rods manufactured from galvanized sheet steel.

#### 1 WTBP-001

Control device for enclosure with main switch (main panel). Consider one piece per battery.

#### 2 WTBPB-001

Door lock for cabinets joined in a suite (to be installed on secondary cabinets). Consider one piece for each single door and master door of the double door cabinet.

#### 4 WTBP-060 W=600

#### WTBP-080 W=800

#### WTBP-120 W=1200

#### WTBP-140 W=1400

#### WTBP-160W=1600

Transmission rods (1 piece) to transfer the lock status from the main to the secondary enclosures. For each secondary enclosure, one rod of the same size as the enclosure is required.

#### 3 + 5 WTBP-001

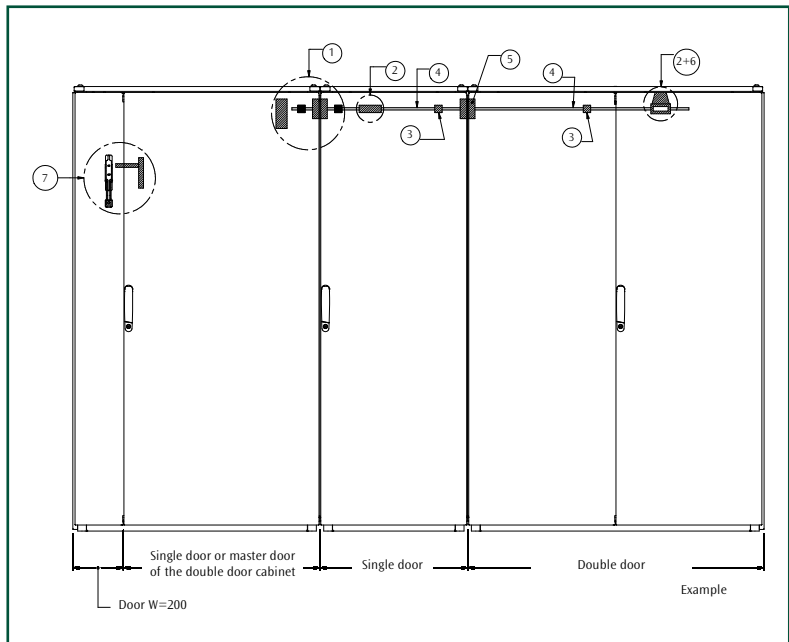
Rod joining blocks (5 pcs) and intermediate supports (5 pcs).

#### 6 WTBP-001

Door block support for final enclosure. Consider one piece per battery.

#### 8 WTBP-002 (Suggested)

Safety kit for complete door closing of secondary cabinets in case of closing the main cabinet door. Consider one piece for each WTBP-001.



## DISCONNECTING SWITCH WTBP-001 (US VERSION)

Regulations for the US market prescribe a safety lock for a single enclosure or a set of flat-pack enclosures. The disconnecting switch can be installed only with the following models of main switches:

- 1494 V-H1 (operating lever) - Allen Bradley
- 9422 A1 - Square D
- Max Flex Series/ FHOH - ITE Siemens
- Type 1 and 2 – General Electric TDA.

#### 7 WTBP-001

Safety lock for main door (for US). Consider one piece per cabinet.

For complete installation, a system with door lock for main enclosure, locks for secondary doors and transmission rods of the same width as the enclosure is required.

### CHARACTERISTICS

Door lock parts manufactured from 2.5 mm thick galvanized sheet steel.

## DOOR INTERLOCK WTBP-001

This mechanical door interlock allows the opening of the second door only when the main one is open.

### CHARACTERISTICS

Manufactured from 2.0 mm thick zincpassivated sheet steel.

### SUPPLY

Includes 1 piece supplied with mounting accessories.

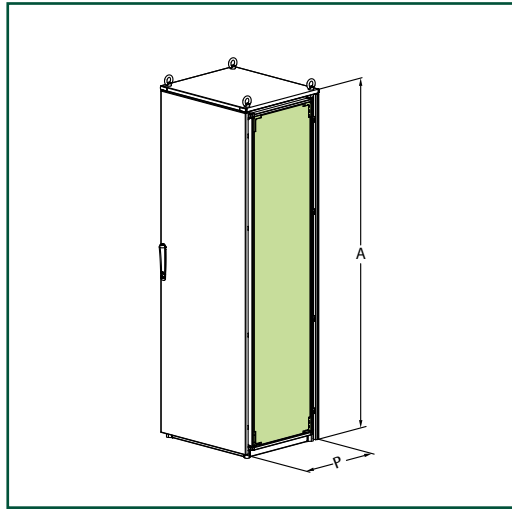


**BLANK VERTICAL DIVIDING PANEL EUD1**

Manufactured from 1.5 mm thick sendzimir sheet steel then folded on the sides. To be used to separate two cabinets.

**SUPPLY**

Includes 1 piece complete with mounting accessories.

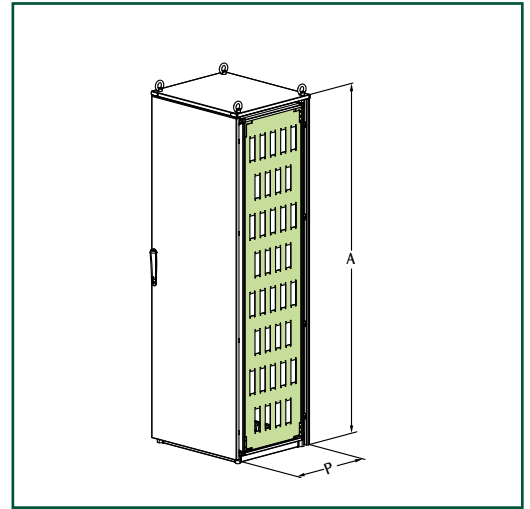


**PUNCHED PARTITION PANEL EUD2**

Punched partition panel for 24 pole connectors, manufactured from 1.5 mm thick sendzimir sheet steel.

**SUPPLY**

Includes 1 piece complete with mounting accessories.



**BLANK VERTICAL DIVIDING PANEL**

EUD1 CODE	CABINET DIMENSIONS	
	P	A
EUD1-040140	414	1409
EUD1-040160	414	1609
EUD1-040180	414	1809
EUD1-040200	414	2009
EUD1-050140	514	1409
EUD1-050160	514	1609
EUD1-050180	514	1809
EUD1-050200	514	2009
EUD1-050220	514	2209
EUD1-060160	614	1609
EUD1-060180	614	1809
EUD1-060200	614	2009
EUD1-060220	614	2209
EUD1-080180	814	1809
EUD1-080200	814	2009
EUD1-080220	814	2209

**Note:** when we have 2 suite cabinets + EUD1, the protection rating inside the cabinet is IP2X.

**PUNCHED PARTITION PANEL**

EUD2 CODE	CABINET DIMENSIONS		
	P	A	HOLES NO.
EUD2-050180	514	1809	36
EUD2-050200	514	2009	40
EUD2-060180	614	1809	44
EUD2-060200	614	2009	49
EUD2-080180	814	1809	68
EUD2-080200	814	2009	76

**Note:** when we have 2 suite cabinets + EUD2, the protection rating inside the cabinet is IP2X.

**WE350Z**

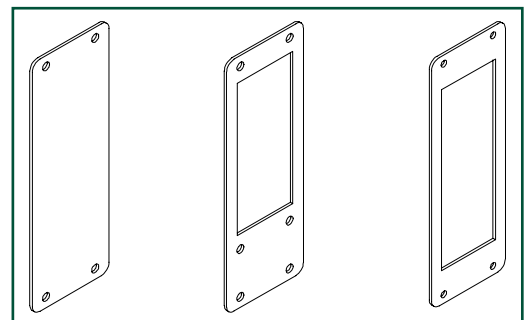
Closing plate (supply includes 1 piece).

**WE351Z**

Reducer 24/16 poles (supply includes 1 piece).

**WE352**

Gasket (supply includes 1 piece).





### FRAME JOINING KIT BACK TO BACK EUTP

#### CHARACTERISTICS

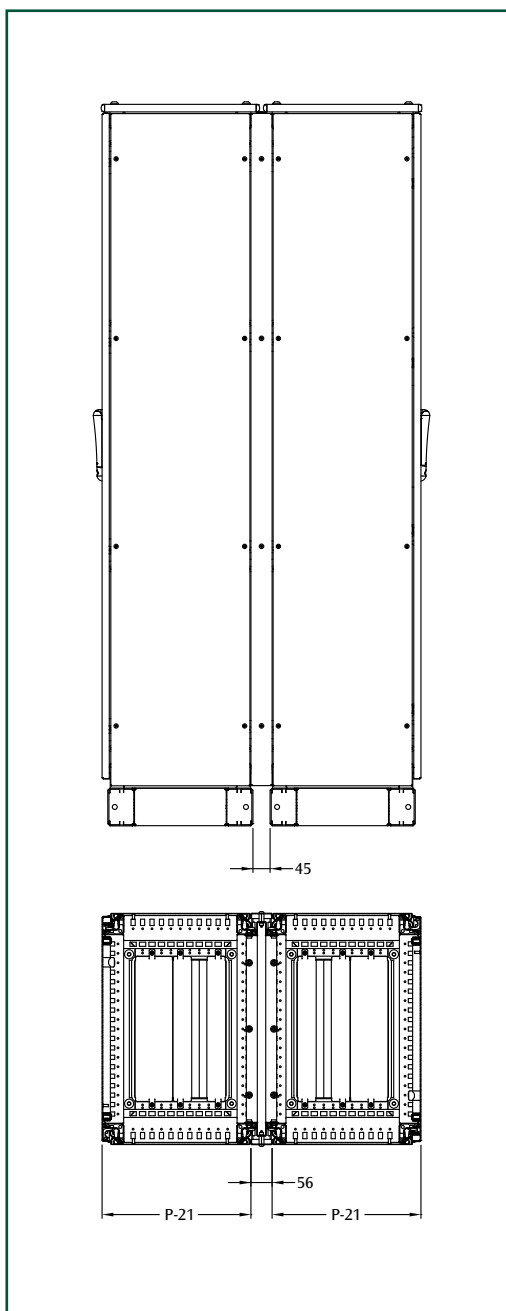
Special kit to join cabinets back to back, manufactured from 1.5 mm thick press bent sheet steel.

#### PAINT FINISH

Colour: RAL 7035 textured finish.

#### SUPPLY

- joining frame
- trim covers with gasket and mounting accessories.



### FRAME JOINING KIT BACK TO BACK

EUTP CODE	CABINET DIMENSIONS	
	WIDTH	HEIGHT
EUTP060180	600	1800
EUTP080180	800	1800
EUTP100180	1000	1800
EUTP120180	1200	1800
EUTP060200	600	2000
EUTP080200	800	2000
EUTP100200	1000	2000
EUTP120200	1200	2000

### DIMENSIONAL SPECIFICATIONS

CABINET DEPTH	P
400	414
500	514
600	614
800	814
1000	1014



## CORNER CABINET

### CHARACTERISTICS

Manufactured from 1.5 mm thick press bent sheet steel.

### PAINT FINISH

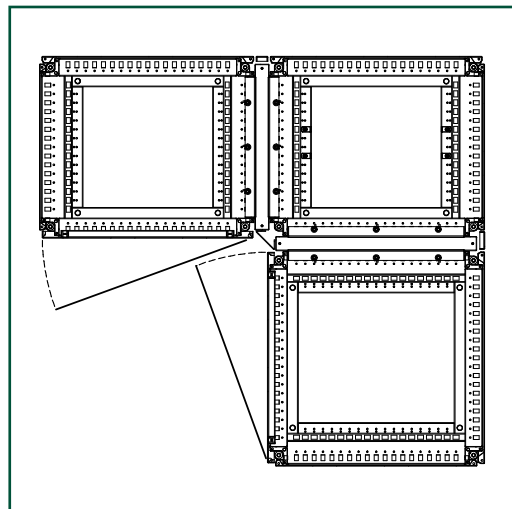
Colour: RAL 7035 textured finish.

### SUPPLY

- joining frame
- removable front trim panel
- side trim panels
- gasket and mounting accessories.

### PROTECTION RATING

- IP55 complying with IEC EN62208; EN60529
- NEMA 12 complying with UL508A; UL50
- impact resistance IK10 complying with IEC EN62208; EN62262.



**Note:** available on request.

### UNIVERSAL WORK SHELF EURL001

Ideal for positioning programming equipment, or as a simple support shelf, this unit can be folded down thanks to its special system of guides.

Furnished in a single size (W = 420mm and D = 400mm), the shelf can be adjusted to three positions (50° / 70° / 90°), and can be mounted directly onto the reinforcing frame of the solid doors E NUX W = 600. For W > 600, order the universal shelf EURL001 with a pair of WTTO door crossbars.

Maximum load carrying capacity: 20kg.

#### STRUCTURE

Made from sheet steel with a thickness of 1.5 mm.

#### COATING

Thermosetting epoxy polyester powder coating, ETA standard cycle.

Colour: RAL 7035 textured finish.

#### COMPOSITION

Single piece complete with supporting rods and mounting accessories.

**NOTE:** See the following page for the WTTO crossbars.



### EXTERNAL SHELF WTRE000600

Equipped with guides and a double flap closing system, this unit can be mounted on the exterior side of the ETA cabinets' solid doors (door customization must be requested at the time of the order).

#### STRUCTURE

Made from sheet steel with a thickness of 1.5mm.

#### COATING

Thermosetting epoxy polyester powder coating, ETA standard cycle.

Colour: RAL 7035 textured finish.

#### COMPOSITION

Single piece complete with guides and mounting accessories.

### PLAN POCKET WTTS

#### CHARACTERISTICS

Large size plan pocket manufactured from 1.5 mm thick sheet steel.

#### PAINT FINISH

Colour: RAL 7035.

#### SUPPLY

Includes 1 piece complete with mounting screws

PLAN POCKET	
WTTS CODE	CABINET WIDTH
WTTS000500	500
WTTS000600	600
WTTS000700	700
WTTS000800	800
WTTS001000	1000



### PLAN POCKET WA050

A4 sheet size plan pocket manufactured from thermo-plastic material.

#### SUPPLY

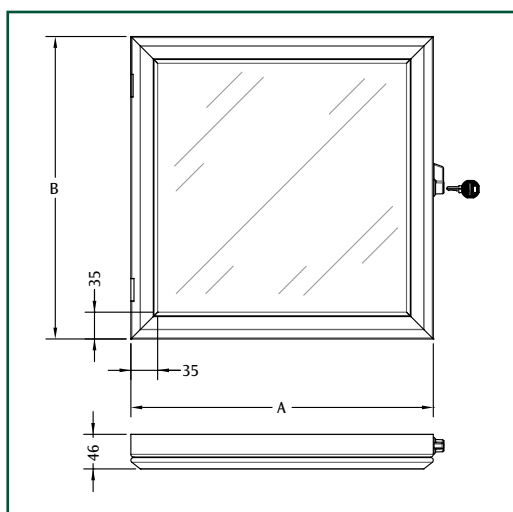
Includes 1 piece with double sided adhesive tape.

### ALUMINIUM WINDOW WIPX

To be used to protect components mounted on the door. Manufactured from anodized aluminium with glazed panel and sealing gasket.

#### SUPPLY

Includes 1 piece.



### ALUMINIUM WINDOW

WIPX CODE	A	B
WIPX-44	400	400
WIPX-55	500	500
WIPX-66	600	600

Note other dimensions available on request from 300x300.

### DOOR RAIL WTTO

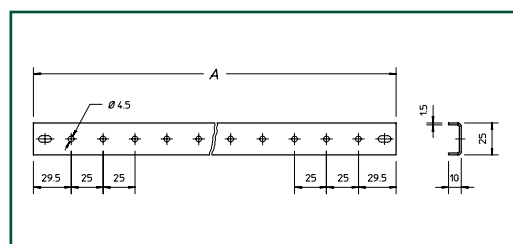
To be applied to the door stiffening frame to allow the fixing of cables or trunking.

#### CHARACTERISTICS

Manufactured from 1.5 mm thick sendzimir sheet steel.

#### SUPPLY

Includes 2 pieces complete with mounting accessories.



### DOOR RAIL

WTTO CODE	CABINET WIDTH	A
WTTO-000400	400	284
WTTO-000600	600-1200	484
WTTO-000700	1400	584
WTTO-000800	800-1600	684
WTTO-001000	1000	884

### CABLE HOLDING BAR WTSU-001

C-shaped drilled bar with 30x15 mm dimensions, to be mounted horizontally for anchoring and structured cabling.

#### CHARACTERISTICS

Manufactured from 2.0 mm thick sheet steel.

#### SUPPLY

Includes one piece (L=2000 mm). Exact length to be specified when ordering.

**Note:** supporting brackets WTSQ-001 for width < 800 or WTSQ-005 for width ≥ 1000 to be ordered separately.



### SUPPORTING BRACKETS WTSQ-001

Required to fasten the WTSU cable holding bar to the back panel. Fully compatible with 25 mm pitch drilling, they can be used as universal supporting brackets.

#### CHARACTERISTICS

Manufactured from die-cast zinc alloy.

#### SUPPLY

Package with 2 pieces complete with screws (see A).

**Note:** for cabinet width ≥ 1000, order code WTSQ-005 (including 3 brackets and a compensation shim - see B).



Fig. A



Fig. B

### CABLE CLAMPING BRACKET WTSM

To be applied onto WTSU cable holding bar.

#### CABLE CLAMPING BRACKET

WTSM CODE	CABLE Ø EXT. IN MM	SUPPLY
WTSM-016	16	10 pcs.
WTSM-032	32	10 pcs.
WTSM-052	52	5 pcs.
WTSM-082	82	5 pcs.



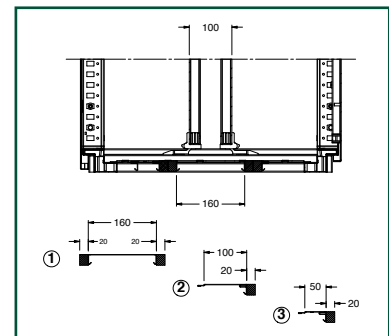
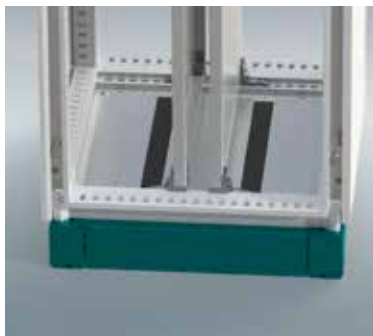
### MODULAR BASE PLATE FOR CABLE ENTRY WTTG

#### CHARACTERISTICS

Modular elements manufactured from 1.0 mm thick sheet steel to customise the cable entry according to the final application. For dimensions, see pages 31, 32 and 39 – columns E / F.

#### SUPPLY

Includes 1 piece complete with gasket for W≤800mm.  
Includes 2 pieces complete with gasket for W≥1000mm.



### BASE PLATE FOR DOUBLE MOUNTING PLATE

BASE PLATE	CABINET WIDTH						
	400	600	800	1000*	1200*	1400*	1600*
1 (D=160 MM)	WTTG-040160	WTTG-060160	WTTG-080160	WTTG-100160	WTTG-120160	WTTG-140160	WTTG-160160
2 (D=100 MM)	WTTG-040100	WTTG-060100	WTTG-080100	WTTG-100100	WTTG-120100	WTTG-140100	WTTG-160100
3 (D=50 MM)	WTTG-040050	WTTG-060050	WTTG-080050	WTTG-100050	WTTG-120050	WTTG-140050	WTTG-160050

\* Cabinets with double cable entry

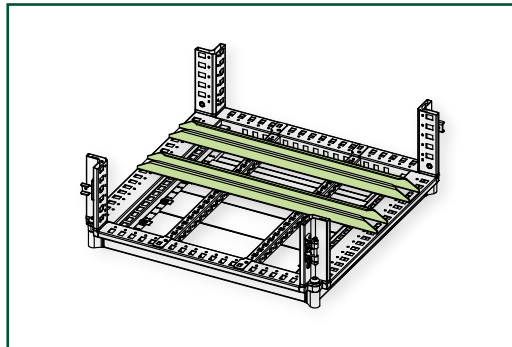


### TRANSFORMER SUPPORT WTST

Manufactured from 2.5 mm thick press bent sendzimir sheet steel allowing the sliding of special nuts. The two rails and the nuts are adjustable, thus allowing easy fixing and positioning of transformers.

#### SUPPLY

Includes 2 rails with mounting accessories.



#### TRANSFORMER SUPPORT

WTST CODE	CABINET WIDTH
WTST-000400	400
WTST-000600	600
WTST-000800	800
WTST-001000	1000
WTST-001200	1200
WTST-001400	1400
WTST-001600	1600

**Note:** for E NUX cabinet with medium/high loads, fast fixing brackets are suggested (please check on page 69).

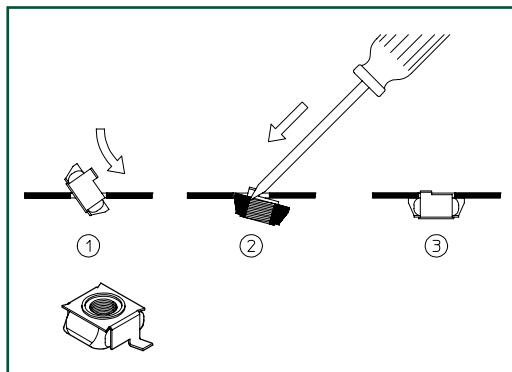


#### CAGE NUTS M8 WTDA-001

Supply includes 20 pieces

#### CAGE NUTS M6 WTDA-002

Supply includes 20 pieces.



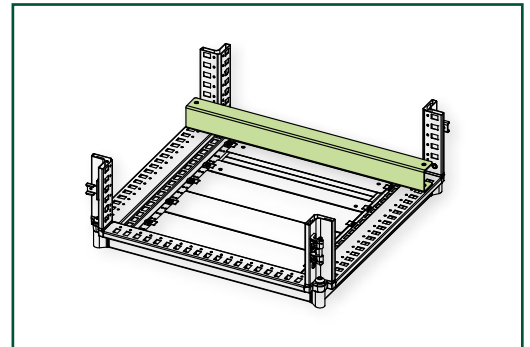
### RAILS FOR CABLE FIXING WTTF

#### CHARACTERISTICS

Manufactured from 3.0 mm thick zincpassivated sheet steel.

#### SUPPLY

Includes 1 piece with mounting accessories.



#### RAILS FOR CABLE FIXING

WTTF CODE	CABINET WIDTH
WTTF-000400	400
WTTF-000600	600
WTTF-000800	800
WTTF-001000	1000
WTTF-001200	1200
WTTF-001400	1400
WTTF-001600	1600



#### WA385

Special sliding nuts to fix transformer.  
Supply includes 4 nuts, screws and washers.

#### MARKER W17035

Easy to use, it is used for minor adjustment on painted surfaces.  
Colour: RAL 7035

### VDE OUTLET WTVD-001

For application on DIN profile.  
Dimensions: W x H x D = 52 x 52 x 59.



### MICROSWITCH WI100

Complying with IEC 337-VDE 0660.  
Fast-installed thermoplastic support.

#### SUPPLY

Includes microswitch with support and mounting accessories.

#### CONFORMITY AND APPROVAL



### CABINET MOUNTING KIT EUKM-001

Dynamometric key.



### THREE-PHASE FLASHING SAFETY DEVICE WI105

The device indicates the power status of the distribution board and shows it visually by means of three high-yield LEDs. It is connected directly after the main switch and positioned so that it is clearly visible when the door is opened. Flashing indicates dangerous voltage. The electronic circuit based on SMD technology is optimized for multiple voltage RATING (110÷690V) both for single-phase and three-phase circuits. The safety device WI105 is also provided with electrically separated protection terminals to insulate the parts under voltage, suitable for large section wires (2.5 mm<sup>2</sup>) and with screw terminals up to 5mm diameter.

#### SUPPLY

- metal fixing bracket
- flashing device
- interlocking limit switch with NC contact for auxiliary circuits.

#### CONFORMITY AND APPROVAL



Compliant with IEC 947-5-1 CEI 7.45 EN60947.5.1.

#### PROTECTION CLASS

II.



**Note:** upon request, a N.O. contact WI107 can be supplied separately.

### CABINET MOUNTING KIT EUKM-004

Kit of 2 Allen wrenches (1 for dynamometric key and 1 for electric screwer).



**Note:** available on request:

- electric screwer with battery charger (EUKM-002)
- professional electric drill with battery charger (EUKM-003).



**LAMP WTLA-080**

New long-lasting and energy-saving LED lamp, that can be fixed with brackets or magnetic support. Up to 10 lamps can be mounted.

Power: 5W

Life cycle: 60.000h at +20°

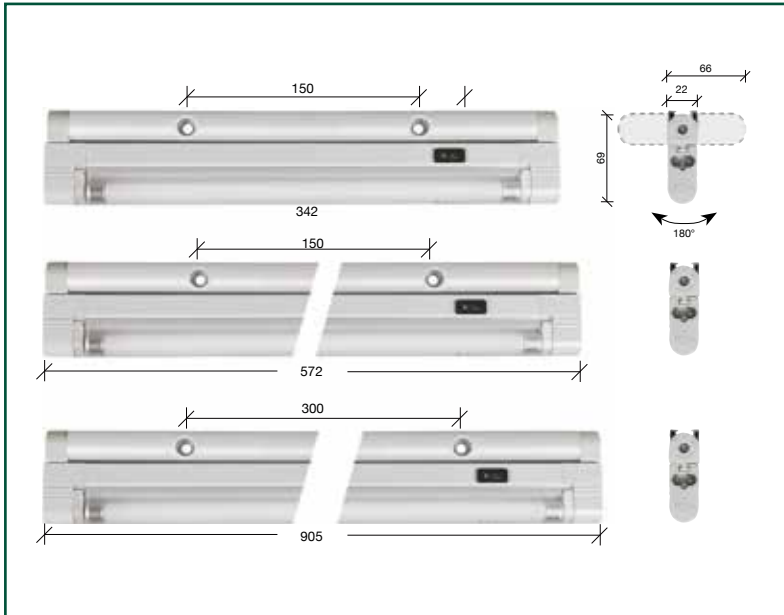
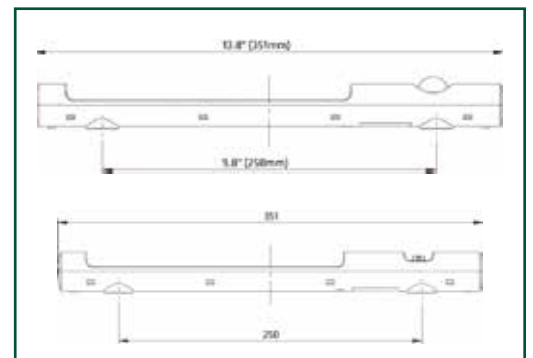
Connection: 2-pole connector with snap lock

AC: max. 2,5 A / 240 V AC, colour: white

DC: max. 2,5 A / 60 V DC, colour: blue

**PROTECTION RATING:**

IP20 / II



**FLUORESCENT ELECTRONIC LAMP**

A complete lighting system for industrial cabinets, featured by a compact shape and eye-catching design. The lamp can be easily fastened on the cabinet and allows an orientation of 180°; up to 5 lamps can be mounted in a single cabinet.

**CHARACTERISTICS**

Casing in aluminium finishing, diffuser in methacrylate with switch.

**SUPPLY**

Includes 1 piece supplied with adjustable fixing brackets, mounting accessories and a bipolar connector for the wiring.

Available on request: magnetic mounting kit, male double pole connector for sequential lamps wiring, system positioning limit switch.



FLUORESCENT ELECTRONIC LAMP				
110 ÷ 130V	220 ÷ 240V	W	LIGHT	WEIGHT
AC 50 ÷ 60 Hz	AC 50 ÷ 60 Hz			
WTLA-085 *	WTLA-095	8	400	380
WTLA-090 *	WTLA-100	13	600	560
	WTLA-105	21	900	860



\* INTERTEK - ETL approval for USA and Canada



### FLUORESCENT LAMP WTLA-030/WTLA-035

Fluorescent lamp 11W, 230V nominal voltage, with SCHUKO style power suitable for all the cabinets and panels:

- the installation support is included and further devices can be used
- the lamp can be mounted with screws on narrow or large areas and it can be fixed to DIN profiles of 35 mm
- available on request without plug (WTLA-035).

**Note** fixing support WTSL-002 to be ordered separately.



### LAMP SUPPORT WTSL-002

Manufactured from 1.5 mm thick sendzimir sheet steel



### MAGNETIC PLATE WTPM-001

Used in alternative when the space available for fixing the lamp is reduced.



### POWER CONNECTOR WTCA-001

Power connector for lamp joined in sequence.

#### SUPPLY

Includes 1 piece with mounting accessories..

Suite



The ETA suite cabinet system with ETA tested busbar system and supports is complying with 61439-1-2:

1. Short circuit resistance testing performed at the ABB Sace laboratory of Bergamo (Italy). Relative certification nr. 175 issued by ACAE of Bergamo (Italy) based on the LOVAG reports issued by ABB Sace.
2. Verification of Temperature-rise limits carried out at the I.N.RI.M. laboratory of Turin (Italy) with test report nr. 14-0114-01.
3. Short circuit testing affected by the switches, with Icc 100kA/1s, performed at the ABB Sace laboratory of Bergamo (Italy). Relative certification nr. 477 issued by ACAE of Bergamo (Italy) based on the LOVAG reports issued by ABB Sace.

### TECHNICAL FEATURES

Rated frequency	50Hz
Rated voltage Ue	400V~ o 690V~
Rated insulated voltage Ui	1000V
Rated impulse withstand voltage Uimp	12kV
Rated current	Up to 4000A In
Rated short-time withstand current Icw/1s	Up to 100kA
Admissible rated peak withstand current Ipk	Up to 220kA
Forms of segregation	Up to 4b
Normal operating conditions	Ambient T ≤ 40°C Pollution rating ≤ 3 Installation height ≤ 2.000mt

### MAXIMUM DISTANCE BETWEEN BUSBAR SUPPORTS

CAPACITY DIMENSIONS	BUSBAR DIMENSIONS	PHASES VALUE	ICW (kA)							
			30	40	50	60	70	80	100	
A	MM	MM								
630	1x40x10	117	560	420	380	-	-	-	-	
		143	600	500	440	-	-	-	-	
800	1x50x10	117	560	420	420	340	-	-	-	
		143	760	500	460	360	-	-	-	
1250	1x80x10	117	560	420	420	340	240	200	-	
		143	800	500	460	360	300	240	-	
1600	1x100x10	117	560	420	420	340	240	200	-	
		143	800	500	460	360	300	240	-	
2000	2x80x10	117	800	500	500	420	340	300	240	
		143	800	600	520	420	380	300	240	
2500	2x100x10	117	900	620	500	460	420	360	240	
		143	900	700	520	500	440	400	280	
3200	3x100x10	143	900	800	520	500	440	400	280	
Cross-section of the earthing conductor in relation to the ICW			30x5	40x5	40x5	40x10	40x10	40x10	50x10	

### CABINETS FOR HORIZONTAL BUSBAR SYSTEMS

WIDTH	600
	800
	1000
HEIGHT	2000
	2200
DEPTH	600
	800
	1000

Vertical busbar systems available upon request and based on the final application. Contact the Sales Office or Technical Department for feasibility and project development.

Note: system with vertical busbar system available upon request (except for D=600mm cabinet)

## EARTHING CONDUCTOR BRACKETS EUST-001

### SUPPLY

Includes nr. 2 pieces with mounting accessories.

## CENTRAL EARTHING CONDUCTOR BRACKET EUST-002

For cabinets with L>600mm.

### SUPPLY

Includes nr. 1 piece with mounting accessories.

## CROSSPIECES FOR HORIZONTAL BUSBAR SUPPORTS

### SUPPLY

Includes nr. 2 pieces with mounting accessories.

### CROSSPIECES FOR HORIZONTAL BUSBAR SUPPORTS

PRODUCT CODE	CABINET WIDTH
EUTO-000600	600
EUTO-000800	800
EUTO-001000	1000

## BUSBAR DUCT SEGREGATION

### SUPPLY

Includes nr. 1 piece with mounting accessories.

### BUSBAR DUCT SEGREGATION

PRODUCT CODE	PHASES VALUE	WIDTH	DEPTH
EUSS-060060	117	600	600
EUSS-060080	117	800	600
EUSS-060100	117	1000	600
EUSS-080060	117	600	800
EUSS-080080	117	800	800
EUSS-080100	117	1000	800
EUSS-100060	117-143	600	1000
EUSS-100080	117-143	800	1000
EUSS-100100	117-143	1000	1000

## HORIZONTAL BUSBAR SYSTEM L = 2000

PRODUCT CODE	DESCRIPTION	IN	BUSBAR SECTION	NEUTRAL BUSBAR SECTION
086 20 03 001	Tripolare	630	40x10	-
086 20 03 002	Tripolare	800	50x10	-
086 20 03 003	Tripolare	1250	80x10	-
086 20 03 004	Tripolare	1600	100x10	-
086 20 03 005	Tripolare	2000	2 (80x10)	-
086 20 03 006	Tripolare	2500	2 (100x10)	-
086 20 03 007	Tripolare	3200	3 (100x10)	-
086 20 04 001	Tetrapolare	630	40x10	40x5
086 20 04 002	Tetrapolare	800	50x10	50x5
086 20 04 003	Tetrapolare	1250	80x10	80x5
086 20 04 004	Tetrapolare	1600	100x10	100x5
086 20 04 005	Tetrapolare	2000	2 (80x10)	80x10
086 20 04 006	Tetrapolare	2500	2 (100x10)	100x10
086 20 04 007	Tetrapolare	3200	3 (100x10)	2 (100x10)

## BUSBAR SUPPORT \*

PRODUCT CODE	IN	BUSBAR SECTION	PHASES VALUE	PRODUCT CODE	IN	BUSBAR SECTION	PHASES VALUE
086 15 01 001	630	40x10	117	086 15 02 001	630	40x10	143
086 15 01 002	800	50x10	117	086 15 02 002	800	50x10	143
086 15 01 003	1250	80x10	117	086 15 02 003	1250	80x10	143
086 15 01 004	1600	100x10	117	086 15 02 004	1600	100x10	143
086 15 01 005	2000	2 (80x10)	117	086 15 02 005	2000	2 (80x10)	143
086 15 01 006	2500	2 (100x10)	117	086 15 02 006	2500	2 (100x10)	143
				086 15 02 007	3200	3 (100x10)	143
				086 15 02 008	4000	3 (120x10)	143

\* Not installable on panels with D < 1200mm

## EXAMPLE

Cabinet dimensions 800 x 2000 x 600 (W x H x D) with blank front door and screwed rear panel, complete with mounting plate, side panels and plinth.

Suite

CODE		STRUCTURE
ENUX	0   8   2   0   0   6   P   R	1 Indicative code
1	2   3   4   5	2 It shows the width of the cabinet
		3 It shows the height of the cabinet
		4 It shows the depth of the cabinet
		5 Suffix that shows the cabinet composition

PR stands for the cabinet structure with front door and screwed rear panel.  
If a front glazed door is required, it is necessary to change the suffix PR with PV (ENUX082006PV). If blank doors are required in the front and in the rear, the suffix changes to DP (ENUX082006DP).

Single packaging.

CODE		FRONT INSERTED MOUNTING PLATE
EUPA -	0   8   0   2   0   0	1 Indicative code
1	2   3	2 It shows the cabinet width
		3 It shows the cabinet height

It shows a front inserted mounting plate.  
If a side inserted mounting plate is required, the code is EUPL-080200.  
Single packaging.

**WTKB - 002**

**Mounting accessories for EUPA mounting plate (to be ordered separately).**

CODE		SIDE PANELS (2 PIECES)
EUFI	0   6   0   2   0   0	1 Indicative code
1	2   3	2 It shows the depth of the cabinet
		3 It shows the height of the cabinet

It shows two side panels complete with mounting accessories.  
Single packaging.

CODE		UNIVERSAL PLINTH EUZE
EUZE -	A   1   0   0	1 Indicative code
1	2	2 It shows the height of the plinth
EUZE -	T   0   8   0   0	1 Indicative code
1	2	2 It shows the cabinet/plinth width
EUZE -	T   0   6   0   0	1 Indicative code
1	2	2 It shows the cabinet/plinth depth

It shows the complete plinth H=100 mm, consisting in 3 different packages.

It shows the corner pieces of the plinth H=100, complete with front covers and mounting accessories (supply includes 4 pieces).  
It shows the front crosspieces W=800 (supply includes 2 pieces).  
It shows the side crosspieces D=600 (supply includes 2 pieces).

If a 200 mm high plinth is required, the code of the corner plinth is EUZE-A200, for the front and side crosspieces H=200, please add D to the code (EUZE-T0800D and EUZE-T0600D).

## IN SUMMARY

CODES FOR AN ASSEMBLED E NUX		
1	ENUX082006PR	1 pc.
2	EUPA-080200	1 pc.
3	WTKB-002	1 pc.
4	EUFI060200	1 pc.
5	EUZE-A100	1 pc.
6	EUZE-T0800	1 pc.
7	EUZE-T0600	1 pc.

**COMPLETE CABINET**



## EXAMPLE

Cabinet dimensions 800 x 2000 x 600 (W x H x D) with front blank door and screwed rear panel, complete with mounting plate, side panels and plinth.

<p><b>CODE</b></p> <p>EUTF 1   0   8   0   0   6   0</p> <p>2   3</p>		<p><b>ROOF/BOTTOM</b></p> <p>1 Indicative code 2 It shows the width of the cabinet 3 It shows the depth of the cabinet</p>	<p>It shows roof and bottom pre-assembled. Single packaging complete with mounting screws.</p>
<p><b>CODE</b></p> <p>EUPO 1   0   8   0   2   0   0</p> <p>2   3</p>		<p><b>FRONT BLANK DOOR</b></p> <p>1 Indicative code 2 It shows the width of the cabinet 3 It shows the height of the cabinet</p>	<p>It shows the blank door supplied with two uprights complete with pre-assembled hinges and closing latches. If a glazed door is required, the code is EUPV080200.</p> <p>Single packaging.</p>
<p><b>CODE</b></p> <p>EURE 1   0   8   0   2   0   0</p> <p>2   3</p>		<p><b>REAR PANEL (SCREWED)</b></p> <p>1 Indicative code 2 It shows the width of the cabinet 3 It shows the height of the cabinet</p>	<p>It shows the screwed rear panel supplied with two uprights complete with pre-assembled blocks for fixing screws.</p> <p>Single packaging.</p>
<p><b>CODE</b></p> <p>EUPA - 1   0   8   0   2   0   0</p> <p>2   3</p>		<p><b>FRONT INSERTED MOUNTING PLATE</b></p> <p>1 Indicative code 2 It shows the width of the cabinet 3 It shows the height of the cabinet</p>	<p>It shows a front inserted mounting plate. If a side inserted mounting plate is required, the code is EUPL-080200.</p> <p>Single packaging.</p>
<p>WTKB - 002</p>			<p><b>Mounting accessories of EUPA mounting plate (to be ordered separately).</b></p>
<p><b>CODE</b></p> <p>EUFI 1   0   6   0   2   0   0</p> <p>2   3</p>		<p><b>SIDE PANELS (2 PIECES)</b></p> <p>1 Indicative code 2 It shows the depth of the cabinet 3 It shows the height of the cabinet</p>	<p>It shows the couple of the side panels complete with mounting accessories.</p> <p>Single packaging.</p>
<p><b>CODE</b></p> <p>EUZE - 1   A   1   0   0</p> <p>2</p>		<p><b>UNIVERSAL PLINTH EUZE</b></p> <p>1 Indicative code 2 It shows the height of the plinth</p>	<p>It shows the complete plinth H=100mm, consisting in 3 different packages.</p> <p>It shows the corner pieces of the plinth H=100, complete with front covers and mounting accessories (supply includes 4 pieces)</p>
<p>EUZE - 1   T   0   8   0   0</p> <p>2</p>		<p>1 Indicative code 2 It shows the cabinet/plinth width</p>	<p>It shows the front crosspieces W=800 (supply includes 2 pieces).</p>
<p>EUZE - 1   T   0   6   0   0</p> <p>2</p>		<p>1 Indicative code 2 It shows the cabinet/plinth depth</p>	<p>It shows the side crosspieces D=600 (supply includes 2 pieces).</p> <p>If a 200 mm high plinth is required, the code of the corner plinth is EUZE-A200, for the front and side crosspieces H=200, please add D to the code (EUZE-T0800D and EUZE-T0600D).</p>

## IN SUMMARY

CODES FOR A FLAT-PACK E NUX		
1	EUTF080060	1 pc.
2	EUPO080200	1 pc.
3	EURE080200	1 pc.
4	EUPA-080200	1 pc.
5	WTKB-002	1 pc.
6	EUFI060200	1 pc.
7	EUZE-A100	1 pc.
8	EUZE-T0800	1 pc.
9	EUZE-T0600	1 pc.

**COMPLETE CABINET**

Monobloc



**ETA QUALITY, PROMPTLY**

ETA introduces E MOX, the range of monobloc enclosure solutions proposed as the effective combination of strength and modularity.

E MOX - offered with a particular front and rear aesthetic profile to comply with E NUX style - is built up with a unique symmetric monobloc structure with top, bottom and side panels welded, and front door provided with an innovative lever-operated latch system.

E MOX is completely compatible with E NUX standard range of accessories: it can be completely customized thanks to the assembly of specific vertical uprights, which allow creating the same inner spaces of E NUX modular cabinet system.

The product philosophy that led the design of E MOX is based on the concepts of time and space, in order to provide the end user with the maximum advantage in terms of optimization and saving.

Time: because E MOX is a unique cabinet completely welded, with mounting plate included in the supply and available in 27 standard dimensions. Time: because E MOX is totally compatible with E NUX cabinets in terms of standard components (doors, rear panels, base plates, mounting plate) and inner accessories (profiles, brackets, partial mounting plates, etc).

Time: because E MOX is a monobloc shell with modular options.

**BENEFITS**

Aesthetic profile and new colour	Design
Symmetric monobloc structure	Strength
Possibility of creating inner E NUX structure	Modularity
Standard E NUX accessories	Compatibility
Innovative latch system	Functionality
Perfect adherence to industry standards	Safety



e mox

MONOBLOC CABINETS

**FEATURES**

- 1 Unique symmetric monobloc structure with top, bottom and side panels welded.
- 2 Front and rear aesthetic profiles to comply with E NUX style.
- 3 Removable rear panel and possibility to assemble rear door (E NUX door and rear panel).
- 4 Lifting with 2 eyebolts.
- 5 Front inserted mounting plate (EUPA) included in the supply.
- 6 Innovative opening system with a unique lever mechanism, unique design and:  
3-point locking for H=1600  
4-point locking for H=1800/2000  
with possibility to mount different inserts.

- 7 Effective sliding guides system integrated in the bottom.
  - 8 Modular cable entry bottom with adjustable base plates and gasket.
  - 9 Reversible door with stiffening frame.
  - 10 Vertical uprights available as accessories to create the same inner structure of E NUX cabinet.
  - 11 Wide range of standard accessories of E NUX system (door, rear panel, mounting plate, complementary accessories).
  - 12 Differentiated colour impact: RAL7035 for the cabinet and new colour RAL5020 matched with aesthetic profiles, handle and plinth.
  - 13 Easy-to-assemble modular plinth EUZE.
- Protection rating: IP66 (single door), IP55 (double door)  
- Nema 12 - IK10.





MONOBLOC CABINETS

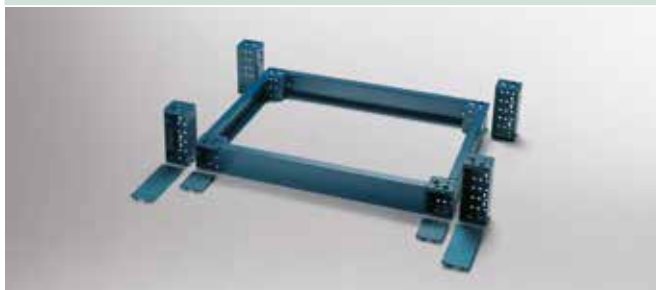
Monobloc

IMAGES ARE ONLY INTENDED TO ILLUSTRATE THE PRODUCT

E MOX



ACCESSORIES



DIMENSIONS W x H x D	E MOX		ACCESSORIES		
	CABINET WITH BLANK DOOR (1)	CABINET WITH PLEXI DOOR (2)	PLINTH H=100 UNIVERSAL CORNER PIECES (3)	PLINTH H=100 FRONT CROSSPIECES (4)	PLINTH H=100 SIDE CROSSPIECES (5)
600 x 1600 x 400	EMOX061604PR	EMOX061604PV	EUZE-A100	EUZE-T0600	EUZE-T0400M
600 x 1800 x 400	EMOX061804PR	EMOX061804PV	EUZE-A100	EUZE-T0600	EUZE-T0400M
600 x 1800 x 500	EMOX061805PR	EMOX061805PV	EUZE-A100	EUZE-T0600	EUZE-T0500M
600 x 2000 x 400	EMOX062004PR	EMOX062004PV	EUZE-A100	EUZE-T0600	EUZE-T0400M
600 x 2000 x 500	EMOX062005PR	EMOX062005PV	EUZE-A100	EUZE-T0600	EUZE-T0500M
800 x 1600 x 400	EMOX081604PR	EMOX081604PV	EUZE-A100	EUZE-T0800	EUZE-T0400M
800 x 1800 x 400	EMOX081804PR	EMOX081804PV	EUZE-A100	EUZE-T0800	EUZE-T0400M
800 x 1800 x 500	EMOX081805PR	EMOX081805PV	EUZE-A100	EUZE-T0800	EUZE-T0500M
800 x 2000 x 400	EMOX082004PR	EMOX082004PV	EUZE-A100	EUZE-T0800	EUZE-T0400M
800 x 2000 x 500	EMOX082005PR	EMOX082005PV	EUZE-A100	EUZE-T0800	EUZE-T0500M
1000 x 1600 x 400	EMOX101604PR	EMOX101604PV	EUZE-A100	EUZE-T1000	EUZE-T0400M
1000 x 1800 x 400	EMOX101804PR	EMOX101804PV	EUZE-A100	EUZE-T1000	EUZE-T0400M
1000 x 1800 x 500	EMOX101805PR	EMOX101805PV	EUZE-A100	EUZE-T1000	EUZE-T0500M
1000 x 2000 x 400	EMOX102004PR	EMOX102004PV	EUZE-A100	EUZE-T1000	EUZE-T0400M
1000 x 2000 x 500	EMOX102005PR	EMOX102005PV	EUZE-A100	EUZE-T1000	EUZE-T0500M
1200 x 800 x 400	EMOX120804PR*		EUZE-A100	EUZE-T1200	EUZE-T0400M
1200 x 1000 x 400	EMOX121004PR*		EUZE-A100	EUZE-T1200	EUZE-T0400M
1200 x 1600 x 400	EMOX121604PR		EUZE-A100	EUZE-T1200	EUZE-T0400M
1200 x 1800 x 400	EMOX121804PR		EUZE-A100	EUZE-T1200	EUZE-T0400M
1200 x 1800 x 500	EMOX121805PR		EUZE-A100	EUZE-T1200	EUZE-T0500M
1200 x 2000 x 400	EMOX122004PR		EUZE-A100	EUZE-T1200	EUZE-T0400M
1200 x 2000 x 500	EMOX122005PR		EUZE-A100	EUZE-T1200	EUZE-T0500M
1400 x 1000 x 400	EMOX141004PR*		EUZE-A100	EUZE-T1400	EUZE-T0400M
1600 x 1000 x 400	EMOX161004PR*		EUZE-A100	EUZE-T1600	EUZE-T0400M
1600 x 1800 x 400	EMOX161804PR		EUZE-A100	EUZE-T1600	EUZE-T0400M
1600 x 2000 x 400	EMOX162004PR		EUZE-A100	EUZE-T1600	EUZE-T0400M
1800 x 1000 x 400	EMOX181004PR*		EUZE-A100	EUZE-T1800	EUZE-T0400M

- (1) supply includes cabinet with welded side panels, removable rear panel, blank door and EUPA front inserted mounting plate. To be ordered separately plinth and WTGS-003 eyebolts.
- (2) supply includes cabinet with welded side panels, removable rear panel, plexi door and EUPA front inserted mounting plate. To be ordered separately plinth and WTGS-003 eyebolts.
- (3) supply includes 4 pieces
- (4) supply included 2 pieces
- (5) supply includes 2 pieces
- (\*) Horizontal version



**CHARACTERISTICS**

Enclosure manufactured from 1.5 mm thick sheet steel with removable rear panel. Door manufactured from 2.0 mm thick sheet steel with stiffening frame.

**PAINT FINISH**

ETA standard epoxy polyester powder coating  
 Structure and door: RAL 7035 textured finish.  
 Aesthetic profiles: RAL 5020 textured finish.

Monobloc

**SUPPLY**

- structure complete with aesthetic profiles and rear panel.
- 2.0 mm thick sheet steel door, with stiffening frame and complete with  $\varnothing$  3 mm lever-operated double bar locking system
- adjustable cable entry
- mounting plate manufactured from 2.5 mm thick sendzimir sheet steel (for E MOX W=1000, EUPA 3.0 mm thick).

**PROTECTION RATING**

- IP66 complying with IEC EN62208; EN60529
- NEMA 12 complying with UL508A; UL50\*
- protection degree guaranteed by the two-component polyurethane foam seal
- impact resistance IK10 complying with IEC EN62208, EN62262.

\*NEMA 4 available on request.

**Note:** in case it is necessary to replace the mounting plate EUPA, you have to use the codes on page 46.



Universal plinth EUZE, see page 96

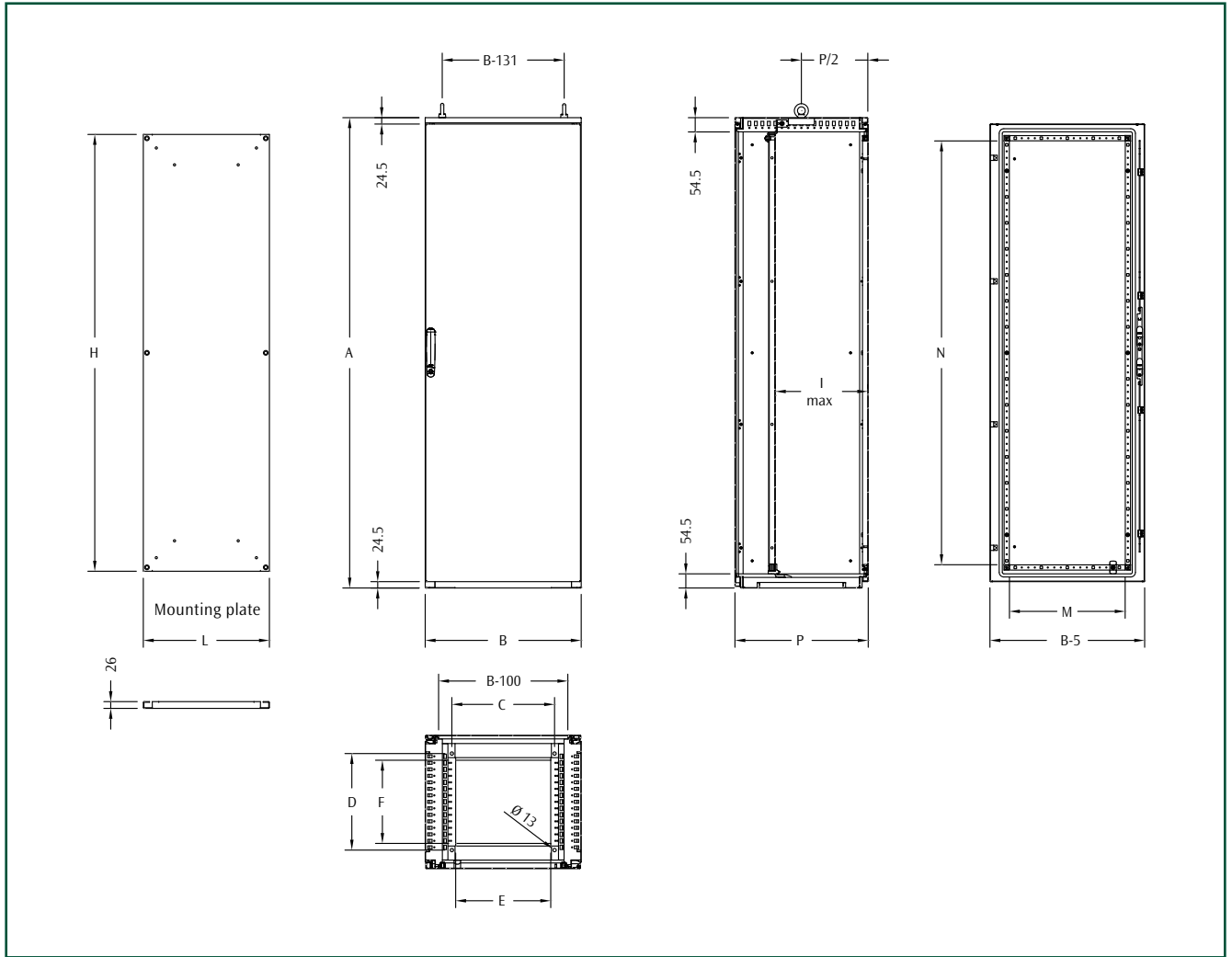


Eyebolts, see page 97



Internal uprights, see page 97

Monobloc



**DIMENSIONAL SPECIFICATIONS**

DIMENSIONS			CABINET DIMENSIONS			FLOOR FIXING		CABLE ENTRY		DOOR SPACE		MOUNTING PLATE DIM.		
WIDTH	HEIGHT	DEPTH	B	A	P	C	D	E	F	M	N	L	H	I
600	1600	400	600	1609	414	395	271	365	220	445	1430	485	1480	350
600	1800	400	600	1809	414	395	271	365	220	445	1630	485	1680	350
600	1800	500	600	1809	514	395	371	365	320	445	1630	485	1680	450
600	2000	400	600	2009	414	395	271	365	220	445	1830	485	1880	350
600	2000	500	600	2009	514	395	371	365	320	445	1830	485	1880	450
800	1600	400	800	1609	414	595	271	565	220	645	1430	685	1480	350
800	1800	400	800	1809	414	595	271	565	220	645	1630	685	1680	350
800	1800	500	800	1809	514	595	371	565	320	645	1630	685	1680	450
800	2000	400	800	2009	414	595	271	565	220	645	1830	685	1880	350
800	2000	500	800	2009	514	595	371	565	320	645	1830	685	1880	450
1000	1600	400	1000	1609	414	795	271	765	220	845	1430	885	1480	350
1000	1800	400	1000	1809	414	795	271	765	220	845	1630	885	1680	350
1000	1800	500	1000	1809	514	795	371	765	320	845	1630	885	1680	450
1000	2000	400	1000	2009	414	795	271	765	220	845	1830	885	1880	350
1000	2000	500	1000	2009	514	795	371	765	320	845	1830	885	1880	450

600			CABINET CODES	
DIMENSIONS			CABINET WITH BLANK DOOR	CABINET WITH PLEXI DOOR
WIDTH	HEIGHT	DEPTH		
600	1600	400	EMOX061604PR	EMOX061604PV
600	1800	400	EMOX061804PR	EMOX061804PV
600	1800	500	EMOX061805PR	EMOX061805PV
600	2000	400	EMOX062004PR	EMOX062004PV
600	2000	500	EMOX062005PR	EMOX062005PV

Monobloc

800			CABINET CODES	
DIMENSIONS			CABINET WITH BLANK DOOR	CABINET WITH PLEXI DOOR
WIDTH	HEIGHT	DEPTH		
800	1600	400	EMOX081604PR	EMOX081604PV
800	1800	400	EMOX081804PR	EMOX081804PV
800	1800	500	EMOX081805PR	EMOX081805PV
800	2000	400	EMOX082004PR	EMOX082004PV
800	2000	500	EMOX082005PR	EMOX082005PV

1000			CABINET CODES	
DIMENSIONS			CABINET WITH BLANK DOOR	CABINET WITH PLEXI DOOR
WIDTH	HEIGHT	DEPTH		
1000	1600	400	EMOX101604PR	EMOX101604PV
1000	1800	400	EMOX101804PR	EMOX101804PV
1000	1800	500	EMOX101805PR	EMOX101805PV
1000	2000	400	EMOX102004PR	EMOX102004PV
1000	2000	500	EMOX102005PR	EMOX102005PV

Note: to order the inner door, see the EUPI code on page 56.





Monobloc



**CHARACTERISTICS**

Enclosure manufactured from 1.5 mm thick sheet steel with removable rear panel. Double door manufactured from 2.0 mm thick sheet steel with stiffening frame.

**PAINT FINISH**

ETA standard epoxy polyester powder coating. Structure and door: RAL 7035 textured finish. Aesthetic profiles: RAL 5020 textured finish.

**SUPPLY**

- structure complete with aesthetic profiles and rear panel
- 2.0 mm thick sheet steel double door, with stiffening frame and complete with ø 3 mm lever-operated double bar locking system
- adjustable cable entry
- mounting plate manufactured from 3.0 mm thick sendzimir sheet steel (2.5 mm for W=1600mm).

**PROTECTION RATING**

- IP55 complying with IEC EN62208; EN60529
- NEMA 12 complying with UL508A; UL50
- protection degree guaranteed by the two-component polyurethane foam seal
- impact resistance IK10 complying with IEC EN62208, EN62262.

**Note:** in case it is necessary to replace the mounting plate EUPA, you have to use the codes on page 46.



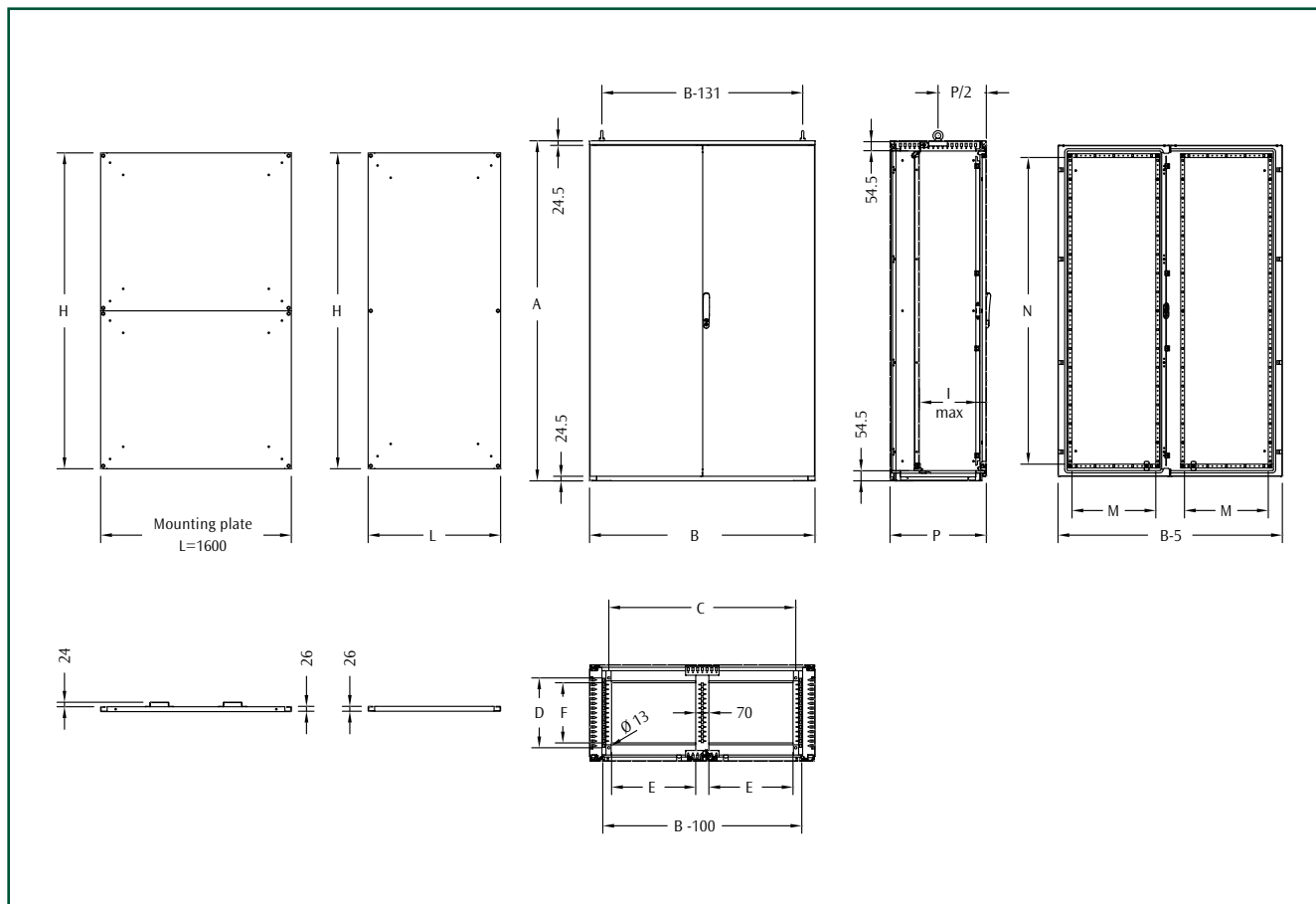
Universal plinth EUZE, see page 96



Eyebolts, see page 97



Internal uprights, see page 97



Monobloc

### DIMENSIONAL SPECIFICATIONS

DIMENSIONS			CABINET DIMENSIONS			FLOOR FIXING		CABLE ENTRY		DOOR SPACE		MOUNTING PLATE DIM.		
WIDTH	HEIGHT	DEPTH	B	A	P	C	D	E	F	M	N	L	H	I
1200	1600	400	1200	1609	414	995	271	447	220	445	1430	1085	1480	350
1200	1800	400	1200	1809	414	995	271	447	220	445	1630	1085	1680	350
1200	1800	500	1200	1809	514	995	371	447	320	445	1630	1085	1680	450
1200	2000	400	1200	2009	414	995	271	447	220	445	1830	1085	1880	350
1200	2000	500	1200	2009	514	995	371	447	320	445	1830	1085	1880	450
1600	1800	400	1600	1809	414	1395	271	647	220	645	1630	1485	1680	350
1600	2000	400	1600	2009	414	1395	271	647	220	645	1830	1485	1880	350

### 1200

### CABINET CODES

DIMENSIONS			CABINET WITH BLANK DOOR	
WIDTH	HEIGHT	DEPTH		
1200	1600	400		EMOX121604PR
1200	1800	400		EMOX121804PR
1200	1800	500		EMOX121805PR
1200	2000	400		EMOX122004PR
1200	2000	500		EMOX122005PR

### 1600

### CABINET CODES

DIMENSIONS			CABINET WITH BLANK DOOR	
WIDTH	HEIGHT	DEPTH		
1600	1800	400		EMOX161804PR
1600	2000	400		EMOX162004PR



Monobloc



**CHARACTERISTICS**

Enclosure manufactured from 1.5 mm thick sheet steel with removable rear panel. Double door manufactured from 2.0 mm thick sheet steel with stiffening frame.

**PAINT FINISH**

ETA standard epoxy polyester powder coating. Structure and door: RAL 7035 textured finish. Aesthetic profiles: RAL 5020 textured finish.

**SUPPLY**

- structure complete with aesthetic profiles and rear panel
- 2.0 mm thick sheet steel double door, with stiffening frame and complete with ø 3 mm lever-operated double bar locking system
- adjustable cable entry
- mounting plate manufactured from 3.0 mm thick sendzimir sheet steel (2.5 mm for W=1600mm).

**PROTECTION RATING**

- IP55 complying with IEC EN62208; EN60529
- NEMA 12 complying with UL508A; UL50
- protection degree guaranteed by the two-component polyurethane foam seal
- impact resistance IK10 complying with IEC EN62208, EN62262.

**Note:** in case it is necessary to replace the mounting plate EUPA, you have to use the codes on page 46.



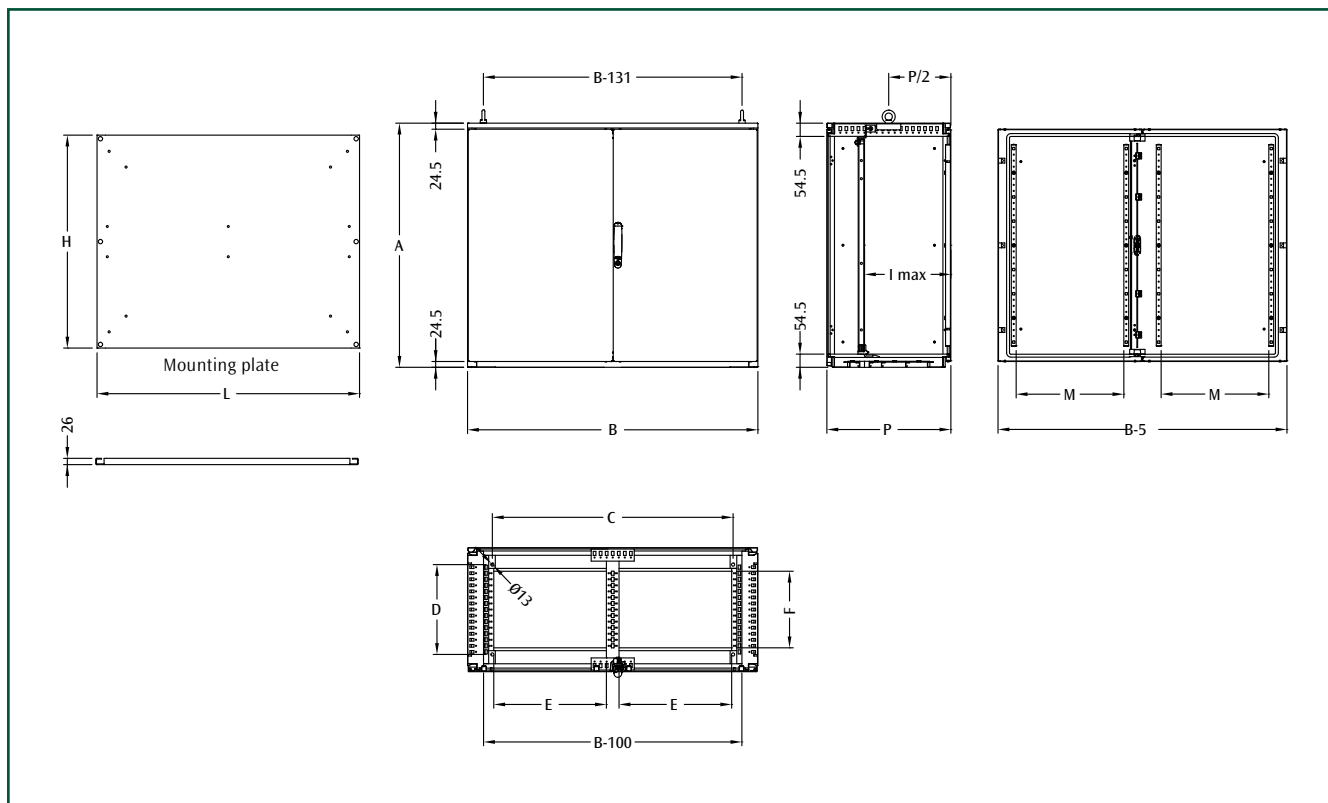
Universal plinth EUZE, see page 96



Eyebolts, see page 97



Internal uprights, see page 97



### DIMENSIONAL SPECIFICATIONS

DIMENSIONS			CABINET DIMENSIONS			FLOOR FIXING		CABLE ENTRY		DOOR SPACE	MOUNTING PLATE DIM.		
WIDTH	HEIGHT	DEPTH	B	A	P	C	D	E	F	M	L	H	I (MAX)
1200	800	400	1200	809	414	995	271	447	220	445	1085	680	350
1200	1000	400	1200	1009	414	995	271	447	220	445	1085	880	350
1400	1000	400	1400	1009	414	1195	271	547	220	545	1285	880	350
1600	1000	400	1600	1009	414	1395	271	647	220	645	1485	880	350
1800	1000	400	1800	1009	414	1595	271	747	220	745	1685	880	350

### CABINET CODE

DIMENSIONS			CABINET WITH BLANK DOOR										
WIDTH	HEIGHT	DEPTH											
1200	800	400	EMOX120804PR										
1200	1000	400	EMOX121004PR										
1400	1000	400	EMOX141004PR										
1600	1000	400	EMOX161004PR										
1800	1000	400	EMOX181004PR										

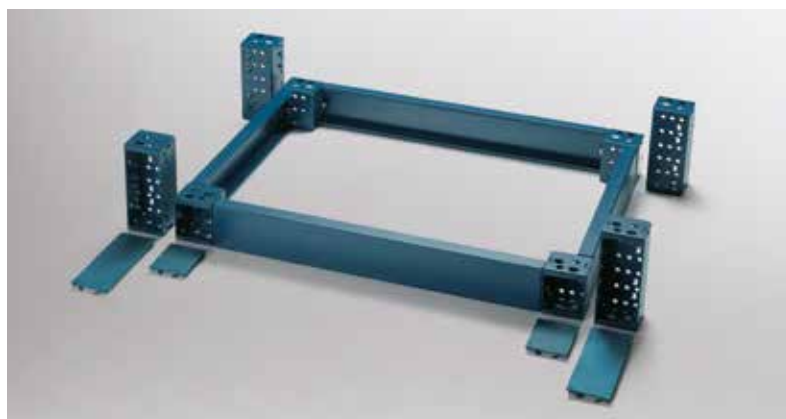
Note: in case it is necessary to replace the mounting plate EUPA, you have to use the codes here below.

### SPARE FRONT-INSERTED MOUNTING PLATE

EUPA CODE	CABINET DIMENSIONS			MOUNTING PLATE DIM.		
	B	A	P	L	H	I (MAX)
EUPA-120080	1200	809	395	1085	680	350
EUPA-120100	1200	1009	395	1085	880	350
EUPA-140100	1400	1009	395	1285	880	350
EUPA-160100	1600	1009	395	1485	880	350
EUPA-180100	1800	1009	395	1685	880	350

Note: mounting plate EUPA for E MOX horizontal version is supplied in one piece.

Monobloc



### MODULAR PLINTH EUZE

#### CHARACTERISTICS

Corner pieces manufactured from 2.5 mm thick press bent sheet steel, with PVC front covers caps. Front and side crosspieces manufactured from 2.0 mm thick press bent sheet steel.

#### PAINT FINISH

ETA standard epoxy polyester powder coating. Colour: RAL 5020 textured finish.

#### SUPPLY

- The modular plinth is made up of:
- corner pieces: supply includes 4 pieces complete with front covers and mounting hardware
  - front crosspieces: supply includes 2 pieces
  - side crosspieces: supply includes 2 pieces.

### UNIVERSAL CORNER PIECES

EUZE CODE	DESCRIPTION
EUZE-A100	CORNER PIECES FOR PLINTH H=100
EUZE-A200	CORNER PIECES FOR PLINTH H=200

**Note** supply includes 4 pieces with mounting accessories.

### FRONT CROSSPIECES

EUZE CODE	DESCRIPTION	CROSS. LENGTH MM
EUZE-T0600	PLINTH FRONT CROSSPIECES W=600	444
EUZE-T0800	PLINTH FRONT CROSSPIECES W=800	644
EUZE-T1000	PLINTH FRONT CROSSPIECES W=1000	844
EUZE-T1200	PLINTH FRONT CROSSPIECES W=1200	1044
EUZE-T1400	PLINTH FRONT CROSSPIECES W=1400	1244
EUZE-T1600	PLINTH FRONT CROSSPIECES W=1600	1444
EUZE-T1800	PLINTH FRONT CROSSPIECES W=1800	1644

**Note:** supply includes 2 pieces.

**Note:** to order the front crosspieces H=200, add the suffix "D" to the code. (I.e.: EUZE-T0600D).

### E MOX SIDE CROSSPIECES

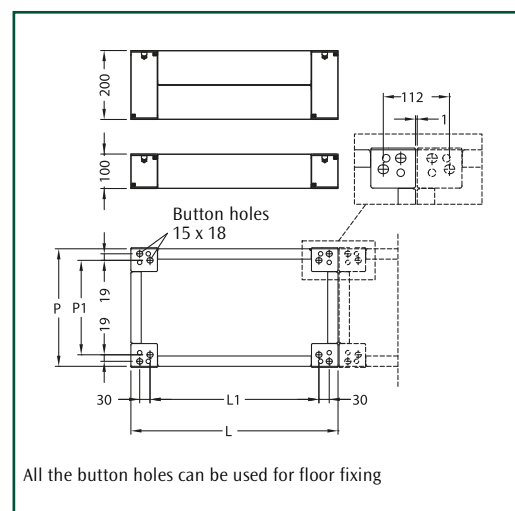
EUZE CODE	DESCRIPTION	CROSS. LENGTH MM
EUZE-T0400M	SIDE CROSSPIECES D=400	233
EUZE-T0500M	SIDE CROSSPIECES D=500	333

**Note:** supply includes 2 pieces.

**Note:** to order the side crosspieces H=200, add the suffix "D" to the code. (I.e.: EUZE-T0400MD).

### DIMENSIONAL SPECIFICATIONS

DIMENSIONS		PLINTH DIMENSIONS		CENT. DISTANCES	
WIDTH	DEPTH	L	P	L1	P1
600	400	600	373	489	300
600	500	600	473	489	400
800	400	800	373	689	300
800	500	800	473	689	400
1000	400	1000	373	889	300
1000	500	1000	473	889	400
1200	400	1200	373	1089	300
1200	500	1200	473	1089	400
1400	400	1400	373	1289	300
1600	400	1600	373	1489	300
1800	400	1800	373	1689	300



All the button holes can be used for floor fixing

### COMPATIBILITY WITH E NUX SYSTEM AND ETA ACCESSORIES:

- E NUX blank door, plexi door, rear panel
- mounting plate EUPA
- partial mounting plate EUPR, see page 51
- inner door EUPI, see page 56
- locking system WE, see page 53
- E NUX complementary accessories (i.e.: profiles H=50 mm WTPR and fast fixing brackets, door frame, drawing desk WTRL, plan pocket...) for inner mounting.

### RAIN CANOPY EMTT

Ideal solution for outdoor installations where you need extra protection from atmospheric agents. We recommend the use of a special polyester painting for outdoor applications.

#### CHARACTERISTICS

Manufactured from 1.5 mm thick sheet steel.

#### PAINT FINISH

ETA standard epoxy polyester powder coating.  
Colour: RAL 5020 textured finish.

#### SUPPLY

Includes 1 piece with mounting accessories.

**Note:** available on request rain canopy with different inclinations and angles.



### INNER UPRIGHTS EUMI

Ideal solution to replicate the inside of the monobloc (E NUX) cabinet allowing the assembly of standard accessories including:

- partial mounting plates
- WTPR mounting rails
- 19" accessories
- shelves
- partial swing frames

#### CHARACTERISTICS

Manufactured from 1.5 thick sendzimir sheet steel.

#### SUPPLY

Includes 2 pieces with mounting accessories.

#### INNER UPRIGHTS

EUMI CODE	CABINET HEIGHT
EUMI000800	800
EUMI001000	1000
EUMI001600	1600
EUMI001800	1800
EUMI002000	2000

### DOOR STOP WTFP

It allows the mechanical stop of the door (90° or 135°), preventing the accidental closing. Supply includes 1 piece with mounting accessories.

#### DOOR STOP

WTFP CODE	OPENING
WTFP-006	90°
WTFP-007	135°

### 180° DOOR HINGES EUCE-180004

#### CHARACTERISTICS

Manufactured from pressed zama.

#### PAINT FINISH

Colour: RAL 5020 smooth finish.

#### SUPPLY

Includes 3 pieces.



### MICROSWITCH WI100M

Complying with standards IEC 337-VDE 0660.

#### SUPPLY

Includes microswitch, mounting bracket and screws.

#### CONFORMITY AND APPROVAL



**Note:** for assembly on E MOX cabinet provided with EUMI uprights, please order WI100.

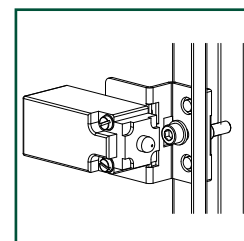


### WTGS-003

Zincpassivated M12 lifting eyebolts.

#### SUPPLY

Includes 2 pieces with nuts and washers.



Compact



**ETA QUALITY, STURDY**

E COMP represents the ideal solution to meet the need of a compact solution for both free-standing and wall-mounting applications.

The concept of E COMP make it available as the “link” between the E MOX monobloc cabinets and the ST wall-mounting boxes: E COMP has been designed for applications requiring a free-standing cabinet smaller than E MOX or a wall-mounting box larger than our ST.

E COMP is perfectly compatible with ETA solutions, thanks to the advanced design, the differentiated colour impact, the innovative latching system. E COMP - featured with solidity and ergonomic design - is provided with modular cable entry and fits with ETA standard accessories.

**BENEFITS**

Aesthetic profile and new colour	Design
Compact solution for free-standing or wall-mounting applications	Solidity
Functional and ergonomic compatibility with new ETA product philosophy	Integration
Innovative latch system	Functionality
Perfect adherence to industry standards	Safety



Compact



e comp

## COMPACT ENCLOSURE

### FEATURES

- 1 Visual uniformity with monobloc range E MOX and suite cabinets E NUX.
  - 2 Completely welded enclosure.
  - 3 Lifting with 2 eyebolts (same of E MOX cabinet) or wall-mounting with brackets (same of ST boxes).
  - 4 3-points fixed locking system with the possibility of mounting different inserts.
  - 5 Front inserted mounting plate included in the supply.
  - 6 Door with reinforcement sendzimir profiles provided with a centre-to-centre distance that is identical to the one of the E NUX door, for the fixation of the same rail.
  - 7 Possibility to assemble vertical/horizontal profiles and fast-fixing brackets.
  - 8 Modular cable entry bottom with adjustable base plates and seal.
  - 9 Easy installation of the mounting plate and effective sliding thanks to specific guides.
  - 10 Differentiated colour impact: RAL 7035 for the cabinet and new colour RAL 5020 matched with aesthetic profile, handle and plinth.
  - 11 Fitting with ETA range of accessories and easy-to-assemble modular plinth EUZE.
- Protection rating: IP55 - Nema 12 - IK10.







Compact

**CHARACTERISTICS**

Enclosure manufactured from 1.5 mm thick sheet steel. Door manufactured from 2.0 mm thick sheet steel. Mounting plate manufactured from 2.5 mm thick sendzimir sheet steel.

**PAINT FINISH**

ETA standard epoxy polyester powder coating.  
Enclosure and door: colour RAL 7035 textured finish.  
Aesthetic profile: colour RAL 5020 textured finish.

**SUPPLY**

- Enclosure supplied with:
- front aesthetic profile
  - door with 2 stiffening sendzimir profiles and ø 3 mm double bar locking system
  - adjustable cable entry
  - front-inserted mounting plate.

**PROTECTION RATING**

- IP55 according to IEC EN62208; EN60529
- NEMA 12 according to UL508A; UL50\*
- protection degree guaranteed by the two-component polyurethane foam
- impact resistance IK10 complying with IEC EN62208; EN62262.

\*NEMA 4 available on request.



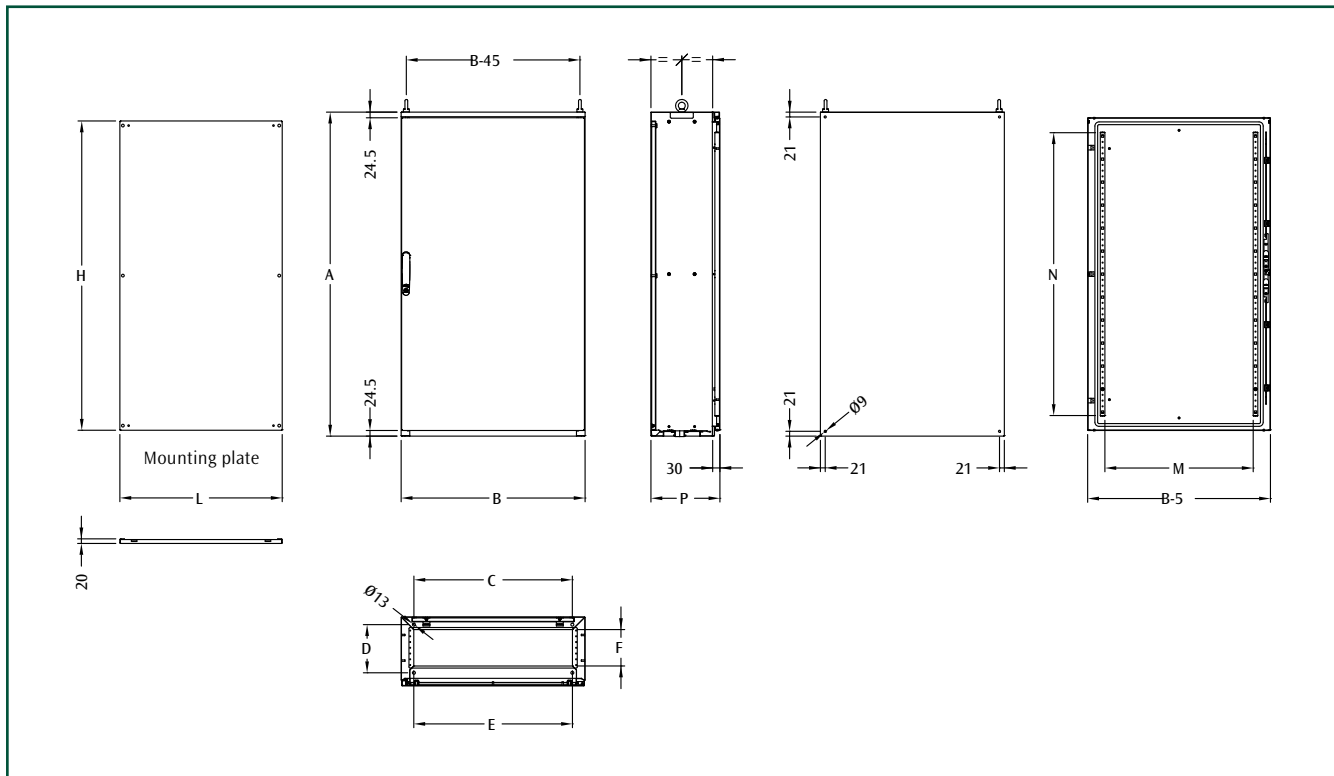
Universal plinth EUZE, see page 104



Eyebolts, see page 105



Wall-mounting brackets, see page 105



Compact

### DIMENSIONAL SPECIFICATIONS

E COMP CODE	CABINET DIMENSIONS			FLOOR FIXING		CABLE ENTRY		DOOR SPACE		M. PLATE DIM.	
	B	A	P	C	D	E	F	M	N	L	H
ECOMP61240	600	1209	400	489	310	490	260	445	1030	506	1145
ECOMP61430	600	1409	300	489	210	490	160	445	1230	506	1345
ECOMP61440	600	1409	400	489	310	490	260	445	1230	506	1345
ECOMP81240	800	1209	400	689	310	690	260	645	1030	706	1145
ECOMP81430	800	1409	300	689	210	690	160	645	1230	706	1345
ECOMP81440	800	1409	400	689	310	690	260	645	1230	706	1345

**Note:** available on request enclosure with plexi door. For the product code, add the suffix PV (i.e.: ECOMP61240PV).



Compact

**CHARACTERISTICS**

Enclosure manufactured from 1.5 mm thick sheet steel. Door manufactured from 2.0 mm thick sheet steel. Mounting plate manufactured from 2.5 mm thick sendzimir sheet steel.

**PAINT FINISH**

ETA standard epoxy polyester powder coating.  
Enclosure and door: colour RAL 7035 textured finish.  
Aesthetic profile: colour RAL 5020 textured finish.

**SUPPLY**

- Enclosure supplied with:
- front aesthetic profile
  - door with 2 stiffening sendzimir profiles and ø 3 mm double bar locking system
  - adjustable cable entry
  - front-inserted mounting plate.

**PROTECTION RATING**

- IP55 according to IEC EN62208; EN60529
- NEMA 12 according to UL508A; UL50
- protection degree guaranteed by the two-component polyurethane foam
- impact resistance IK10 complying with IEC EN62208; EN62262.



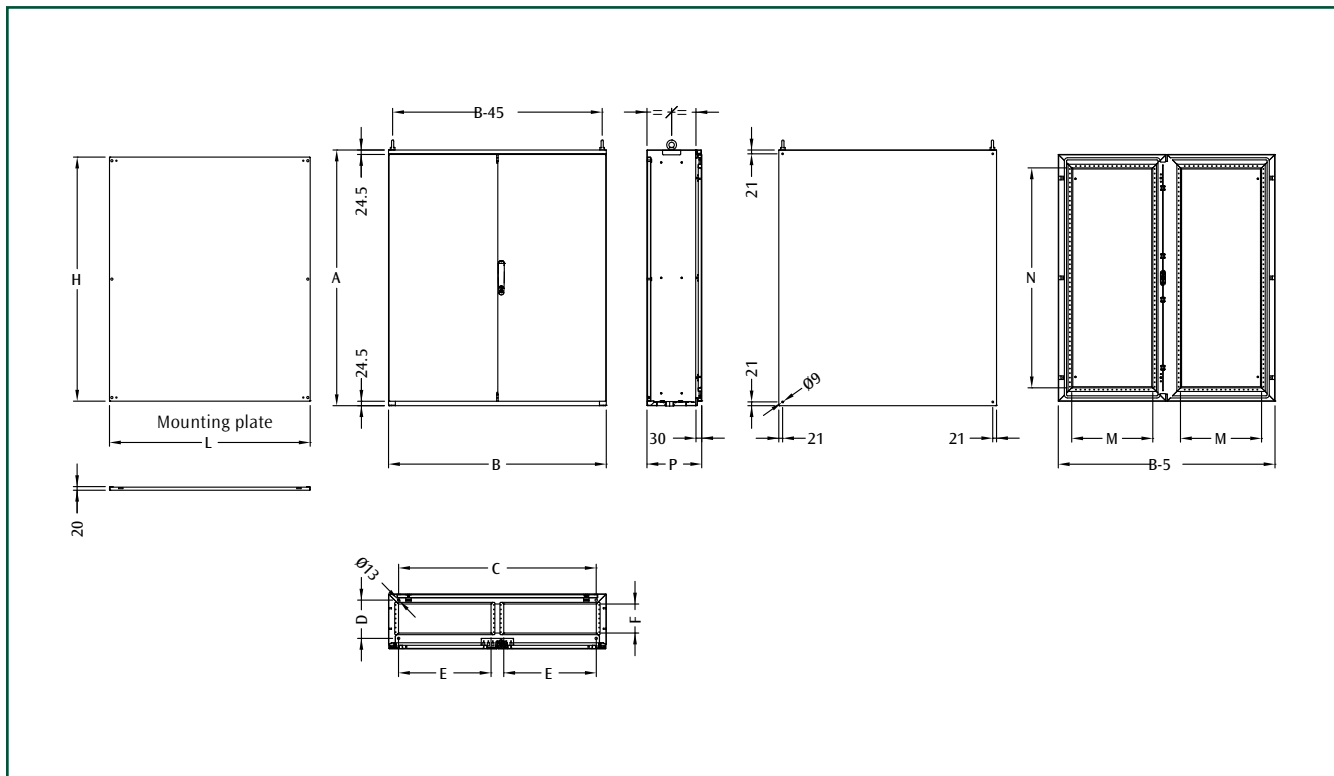
Universal plinth EUZE, see page 104



Eyebolts, see page 105



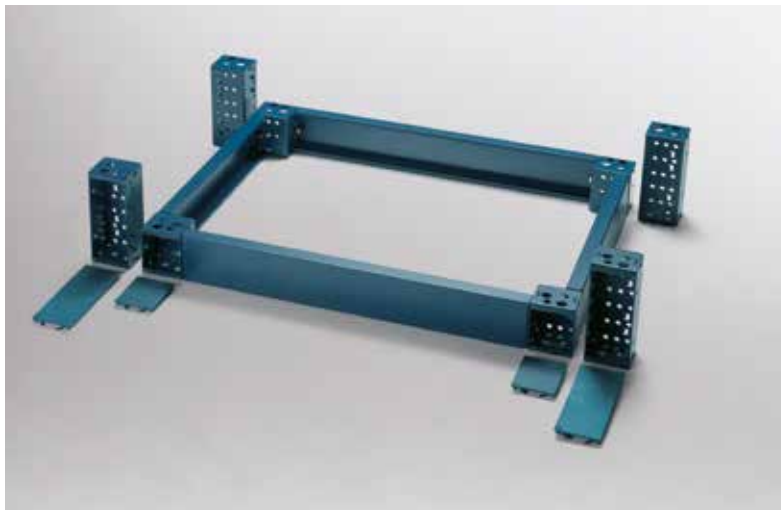
Wall-mounting brackets, see page 105



Compact

### DIMENSIONAL SPECIFICATIONS

E COMP CODE	CABINET DIMENSIONS			FLOOR FIXING		CABLE ENTRY		DOOR SPACE		MOUNT. PLATE DIM.	
	B	A	P	C	D	E	F	M	N	L	H
ECOMP101240	1000	1209	400	889	310	390	260	345	1030	906	1145
ECOMP101430	1000	1409	300	889	210	390	160	345	1230	906	1345
ECOMP101440	1000	1409	400	889	310	390	260	345	1230	906	1345
ECOMP121240	1200	1209	400	1089	310	490	260	345	1030	1106	1145
ECOMP121430	1200	1409	300	1089	210	490	160	445	1230	1106	1345
ECOMP121440	1200	1409	400	1089	310	490	260	445	1230	1106	1345



Compact

**MODULAR PLINTH EUZE**

**CHARACTERISTICS**

Corner pieces manufactured from 2.5 mm thick press bent sheet steel, with PVC front covers caps. Front and side crosspieces manufactured from 2.0 mm thick press bent sheet steel.

**PAINT FINISH**

ETA standard epoxy polyester powder coating. Colour: RAL 5020 textured finish.

**SUPPLY**

The modular plinth is made up of:

- corner pieces: supply includes 4 pieces complete with front covers and mounting hardware
- front crosspieces: supply includes 2 pieces
- side crosspieces: supply includes 2 pieces.

**UNIVERSAL CORNER PIECES**

EUZE CODE	DESCRIPTION
EUZE-A100	CORNER PIECES FOR PLINTH H=100
EUZE-A200	CORNER PIECES FOR PLINTH H=200

**Note:** supply includes 4 pieces with mounting accessories.

**FRONT CROSSPIECES**

EUZE CODE	DESCRIPTION	CROSS. LENGTH MM
EUZE-T0600	PLINTH FRONT CROSSPIECES W=600	444
EUZE-T0800	PLINTH FRONT CROSSPIECES W=800	644
EUZE-T1000	PLINTH FRONT CROSSPIECES W=1000	844
EUZE-T1200	PLINTH FRONT CROSSPIECES W=1200	1044

**Note:** to order the front and side crosspieces H=200, add the suffix "D" to the code (i.e.: EUZE-T0600D).  
**Note:** supply includes 2 pieces.

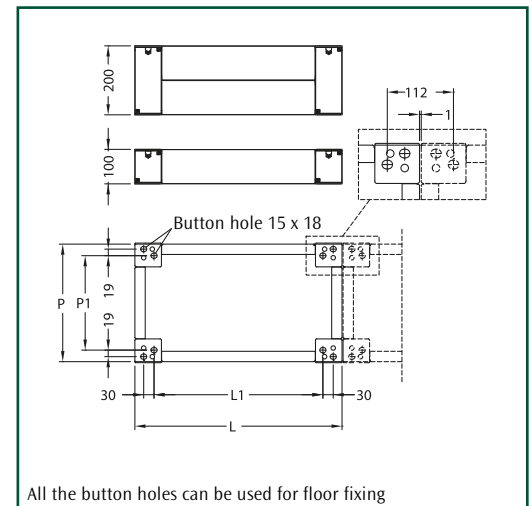
**E COMP SIDE CROSSPIECES**

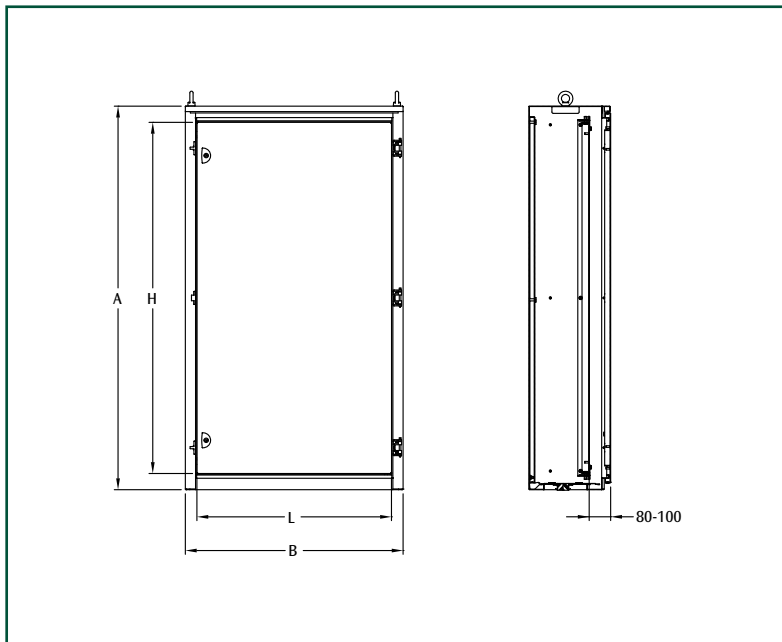
EUZE CODE	DESCRIPTION	CROSS. LENGTH MM
EUZE-T0300S	SIDE CROSSPIECES FOR PLINTH D=300	136
EUZE-T0400C	SIDE CROSSPIECES FOR PLINTH D=400	236

**Note:** to order the front and side crosspieces H=200, add the suffix "D" to the code (i.e.: EUZE-T0300SD).  
**Note:** supply includes 2 pieces.

**DIMENSIONAL SPECIFICATIONS**

DIMENSIONS		PLINTH DIMENSIONS		CENT. DISTANCES	
WIDTH	DEPTH	L	P	L1	P1
600	300	600	278	489	203
600	400	600	378	489	303
800	300	800	278	689	203
800	400	800	378	689	303
1000	300	1000	278	889	203
1200	300	1200	278	1089	203





### KIT INNER DOOR EPP01

#### CHARACTERISTICS

Frame and door manufactured from 1.5 mm thick sheet steel.

#### PAINT FINISH

ETA standard epoxy polyester powder coating.  
Colour: RAL 7035 textured finish.

#### SUPPLY

- Includes:
- frame
  - door with  $\varnothing$  3 mm double bar locking system
  - mounting accessories.

#### PROTECTION RATING

- external: IP55
- internal: IP20.

Compact

### KIT INNER DOOR

EPP01 CODE	FOR COMPACT ENCLOSURES	DIMENSIONS		DOOR DIMENSIONS		N° OF LOCKING POINTS
		B	A	L	H	
EPP01612	ECOMP61240	600	1200	515	1090	2
EPP01812	ECOMP81240	800	1200	715	1090	2
EPP01614	ECOMP61440	600	1400	515	1290	2
EPP01814	ECOMP81440	800	1400	715	1290	2

### EYEBOLTS WTGS-003

Zincpassivated M12 lifting eyebolts.

#### SUPPLY

Includes 2 pieces with nuts and washers.

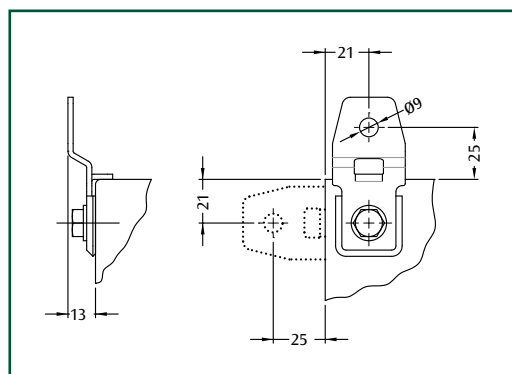


### WALL MOUNTING BRACKETS SDWC-010

Manufactured from 2.5 mm thick zincpassivated sheet steel.

#### SUPPLY

Includes 4 pieces.

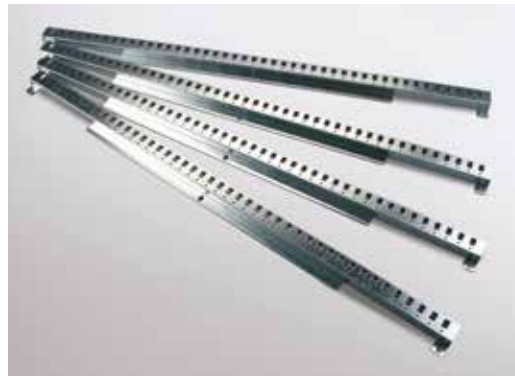


### VERTICAL RAILS WTPR - P

Manufactured from 1.5 mm thick sendzimir sheet steel.

#### SUPPLY

Includes 4 pieces with mounting accessories.



#### VERTICAL RAILS

WTPR CODE	CABINET HEIGHT
WTPR-050120P	1200
WTPR-050140P	1400

### FAST FIXING BRACKETS WTPR - R

Manufactured from 1.5 mm thick sendzimir sheet steel, H=50 mm.

#### SUPPLY

Includes 4 pieces with mounting accessories.



#### FAST FIXING BRACKETS

WTPR CODE	CABINET DEPTH
WTPR-050022R	300
WTPR-050032R	400

### 180° HINGES EUCE-180004

To be mounted on standard doors for 180° opening.

#### CHARACTERISTICS

Manufactured from zinc material.

#### PAINT FINISH

Colour: RAL 5020 smooth finish.

#### SUPPLY

Includes 3 hinges with mounting accessories.



### DOOR STOP WTFP-004

It allows the mechanical stop of the door (90°), preventing the accidental closing.

Supply includes 1 piece with mounting accessories.

### SLIDING RAILS ECPP

They allow easy installation of the mounting plate. Rails can be removed after installation and kept for future use.

#### CHARACTERISTICS

Manufactured from 2.0 mm thick sendzimir zinc sheet steel.

#### SUPPLY

Includes 2 pieces with mounting accessories.



#### SLIDING RAILS

ECPP CODE	CABINET DEPTH
ECPP-00300	300
ECPP-00400	400



# e nux

## MODULAR SOLUTIONS

### FEATURES

Thanks to the extreme flexibility of the cabinet system E NUX and to the compatibility with all ETA accessories, the structure of the cabinet allows the creation of modular solutions:

- modular enclosures for LV power distribution
- enclosures with external door modules and fully split cubicles
- enclosures with multiple doors with several separated cells on a single structure.

From structure to modular solution, in a few steps:

- 1 identification of the configuration based on E NUX cabinet
- 2 choice of the cabinet front, by simply selecting doors/panels
- 3 choice of the interior.





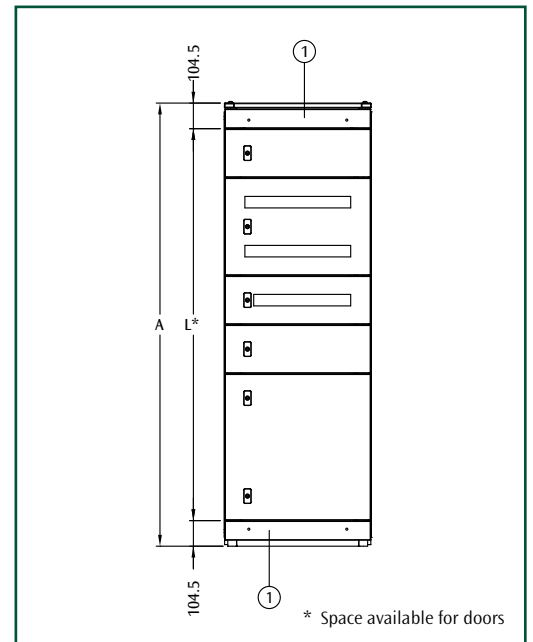


**CHARACTERISTICS/SUPPLY**

- The solution is composed by:
- E NUX structure and bottom with adjustable cable entry manufactured from high-strength low-alloy sheet steel
  - roof manufactured from sheet steel
  - rear panel manufactured from sheet steel.

**PAINT FINISH**

- ETA standard epoxy polyester powder coating:
- structure: colour RAL 7035 smooth finish
  - rear panel: colour RAL 7035 textured finish
  - roof: colour RAL 5020 textured finish.



1 Front panels kit WTCL (2 pieces) to be ordered separately.

Modular



EUFI - M side panels, see pag. 114



EUZE modular plinth, see page 58

**DIMENSIONAL SPECIFICATIONS**

CABINET DIMENSIONS			
B	A	P	L
600	1809	414	1600
600	1809	514	1600
600	1809	614	1600
600	1809	814	1600
800	1809	414	1600
800	1809	514	1600
800	1809	614	1600
800	1809	814	1600
600	2009	414	1800
600	2009	514	1800
600	2009	614	1800
600	2009	814	1800
800	2009	414	1800
800	2009	514	1800
800	2009	614	1800
800	2009	814	1800

### ASSEMBLED STRUCTURE FOR MODULAR CABINET MULTIPLE DOORS

CABINET DIMENSIONS			E NUX
WIDTH	HEIGHT	DEPTH	CODE
600	1800	400	ENUX061804ST
600	1800	500	ENUX061805ST
600	1800	600	ENUX061806ST
600	1800	800	ENUX061808ST
600	2000	400	ENUX062004ST
600	2000	500	ENUX062005ST
600	2000	600	ENUX062006ST
600	2000	800	ENUX062008ST
800	1800	400	ENUX081804ST
800	1800	500	ENUX081805ST
800	1800	600	ENUX081806ST
800	1800	800	ENUX081808ST
800	2000	400	ENUX082004ST
800	2000	500	ENUX082005ST
800	2000	600	ENUX082006ST
800	2000	800	ENUX082008ST

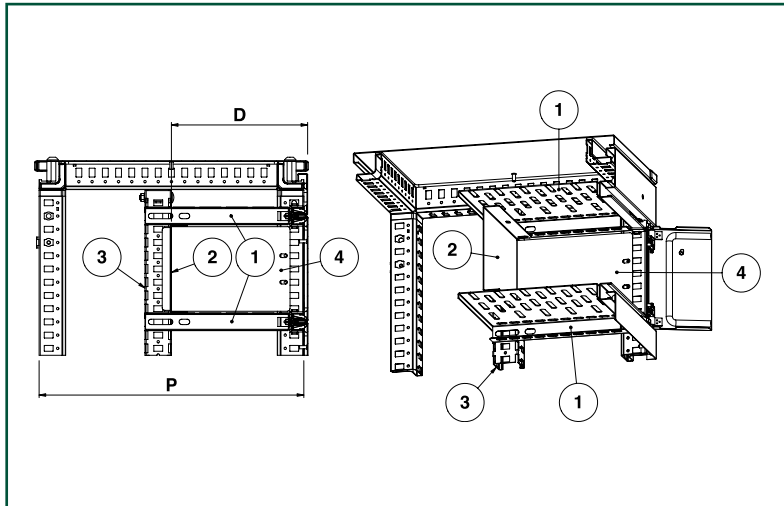
Modular

### FLAT-PACK STRUCTURE FOR MODULAR CABINET MULTIPLE DOORS

CABINET DIMENSIONS			ROOF + BOTTOM	2 FRONT UPRIGHTS FOR E NUX MULT. DOORS	REAR PANEL
WIDTH	HEIGHT	DEPTH	EUTF CODE	EUMT CODE	EURE CODE
600	1800	400	EUTF060040	EUMT001800	EURE060180
600	1800	500	EUTF060050	EUMT001800	EURE060180
600	1800	600	EUTF060060	EUMT001800	EURE060180
600	1800	800	EUTF060080	EUMT001800	EURE060180
600	2000	400	EUTF060040	EUMT002000	EURE060200
600	2000	500	EUTF060050	EUMT002000	EURE060200
600	2000	600	EUTF060060	EUMT002000	EURE060200
600	2000	800	EUTF060080	EUMT002000	EURE060200
800	1800	400	EUTF080040	EUMT001800	EURE080180
800	1800	500	EUTF080050	EUMT001800	EURE080180
800	1800	600	EUTF080060	EUMT001800	EURE080180
800	1800	800	EUTF080080	EUMT001800	EURE080180
800	2000	400	EUTF080040	EUMT002000	EURE080200
800	2000	500	EUTF080050	EUMT002000	EURE080200
800	2000	600	EUTF080060	EUMT002000	EURE080200
800	2000	800	EUTF080080	EUMT002000	EURE080200

**Note:** to complete the configuration of the cabinet, see on pages 110-115.

1. IDENTIFICATION OF THE CONFIGURATION BASED ON E NUX

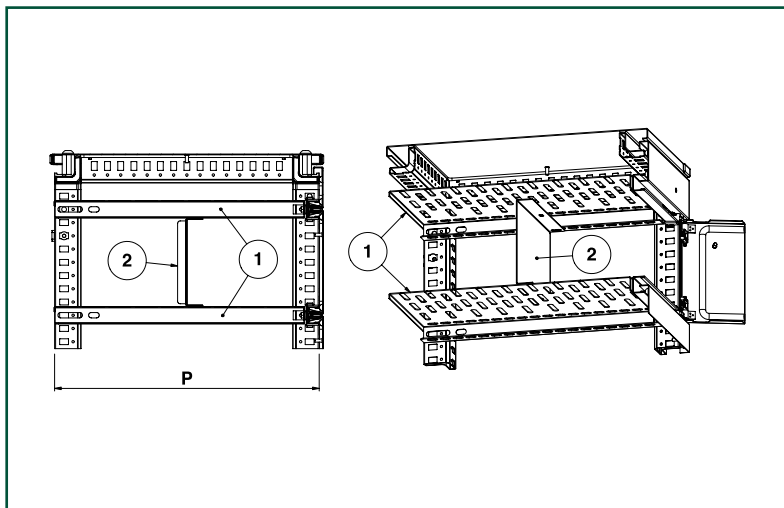


Modular

LEGEND

REF.	DESCRIPTION
1	PARTIAL HORIZONTAL PLATE: EUDO
2	MOUNTING PLATE: EUPO
3*	RAIL WTPR-050180CP (H=1800)
3*	RAIL WTPR-050200CP (H=2000)
4	SIDE COVER: EUSV

\* To be ordered separately: fixing brackets WTSF-001CP.



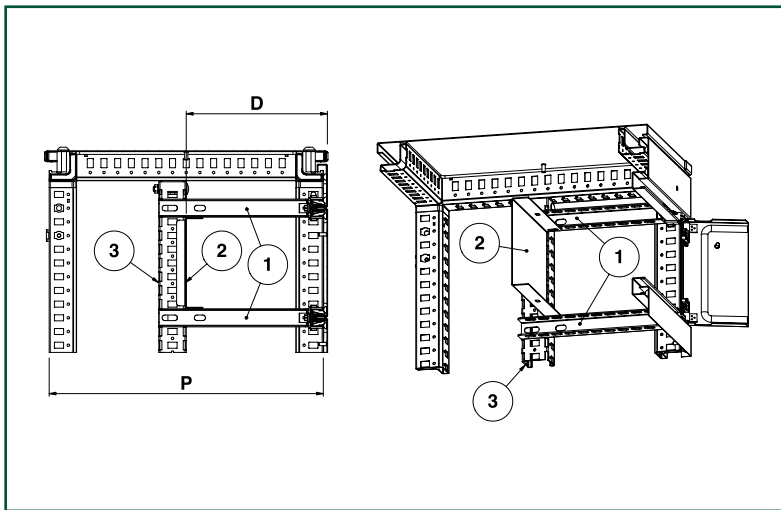
LEGEND

REF.	DESCRIPTION
1	HORIZONTAL PLATE: EUDO
2	MOUNTING PLATE: EUPO

HORIZONTAL PLATE\*

CABINET DEPTH		PARTIAL HORIZONTAL PLATE		TOTAL HORIZONTAL PLATE	
P	D MAX	CABINET WIDTH=600	CABINET WIDTH=800	CABINET WIDTH=600	CABINET WIDTH=800
400	105	EUDO-060010	EUDO-080010	EUDO-060040	EUDO-080040
400	155	EUDO-060015	EUDO-080015	EUDO-060040	EUDO-080040
500	105	EUDO-060010	EUDO-080010	EUDO-060050	EUDO-080050
500	155	EUDO-060015	EUDO-080015	EUDO-060050	EUDO-080050
500	255	EUDO-060025	EUDO-080025	EUDO-060050	EUDO-080050
600	105	EUDO-060010	EUDO-080010	EUDO-060060	EUDO-080060
600	155	EUDO-060015	EUDO-080015	EUDO-060060	EUDO-080060
600	255	EUDO-060025	EUDO-080025	EUDO-060060	EUDO-080060
600	355	EUDO-060040	EUDO-080040	EUDO-060060	EUDO-080060
800	105	EUDO-060010	EUDO-080010	EUDO-060080	EUDO-080080
800	155	EUDO-060015	EUDO-080015	EUDO-060080	EUDO-080080
800	255	EUDO-060025	EUDO-080025	EUDO-060080	EUDO-080080
800	355	EUDO-060040	EUDO-080040	EUDO-060080	EUDO-080080

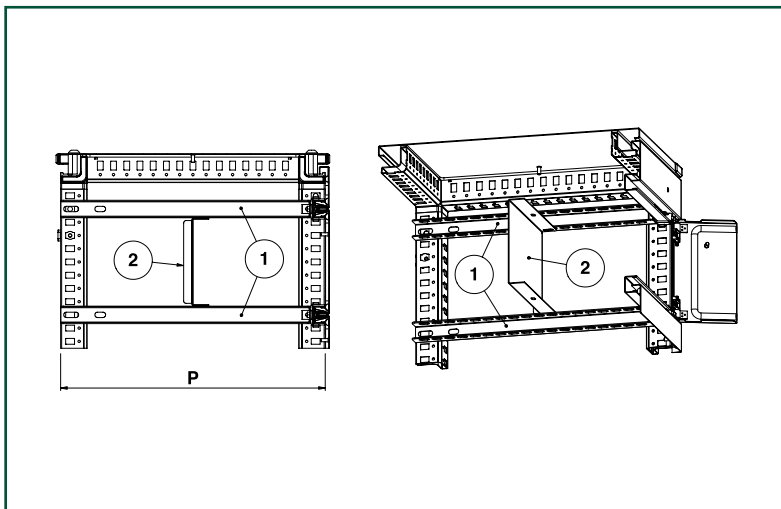
\* Single piece



LEGEND	
REF.	DESCRIPTION
1	PARTIAL RAIL: WTPR
2	MOUNTING PLATE: EUPU
3*	RAIL WTPR-050180CP (H=1800)
3*	RAIL WTPR-050200CP (H=2000)

\* To be ordered separately: fixing brackets WTSF-001CP

Modular



LEGEND	
REF.	DESCRIPTION
1	TOTAL RAIL: WTPR
2	MOUNTING PLATE: EUPU

### RAILS\*

CABINET DEPTH		PARTIAL DEPTH	TOTAL DEPTH
P	D MAX	WTPR CODE	WTPR CODE
400	105	WTPR-033010	WTPR-033040
400	155	WTPR-033015	WTPR-033040
500	105	WTPR-033010	WTPR-033050
500	155	WTPR-033015	WTPR-033050
500	255	WTPR-033025	WTPR-033050
600	105	WTPR-033010	WTPR-033060
600	155	WTPR-033015	WTPR-033060
600	255	WTPR-033025	WTPR-033060
600	355	WTPR-033040	WTPR-033060
800	105	WTPR-033010	WTPR-033080
800	155	WTPR-033015	WTPR-033080
800	255	WTPR-033025	WTPR-033080
800	355	WTPR-033040	WTPR-033080

\* 2 pieces

## 2. CHOICE OF THE CABINET CONFIGURATION BY SIMPLE PANEL/DOOR SELECTION

### FRONT PANELS WTCI

#### CHARACTERISTICS

Manufactured from 1.5 mm thick sheet steel.

#### PAINT FINISH

Colour: RAL 7035 textured finish.

FRONT PANELS	
WTCI CODE	CABINET WIDTH
WTCI060100	600
WTCI080100	800

### BLANK DOORS EUPD

#### CHARACTERISTICS

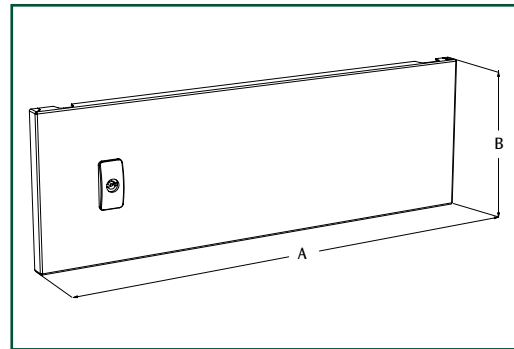
Manufactured from 1.5 mm thick sheet steel complete with sealing gasket and locking system.

#### SUPPLY

Includes 1 piece.

#### PAINT FINISH

Colour: RAL 7035 textured finish.



Note: EUSO horizontal rail to be ordered separately.

BLANK DOORS		
EUPD CODE	DIMENSIONS	
	A	B
EUPD060020	600	200
EUPD060030	600	300
EUPD060040	600	400
EUPD060050	600	500
EUPD060060	600	600
EUPD060070	600	700
EUPD060080	600	800
EUPD060090	600	900
EUPD060100	600	1000
EUPD060120	600	1200
EUPD080020	800	200
EUPD080030	800	300
EUPD080040	800	400
EUPD080050	800	500
EUPD080060	800	600
EUPD080070	800	700
EUPD080080	800	800
EUPD080090	800	900
EUPD080100	800	1000
EUPD080120	800	1200

### DOORS WITH MODULE SLOTS EUPD - M

#### CHARACTERISTICS

Manufactured from 1.5 mm thick sheet steel.

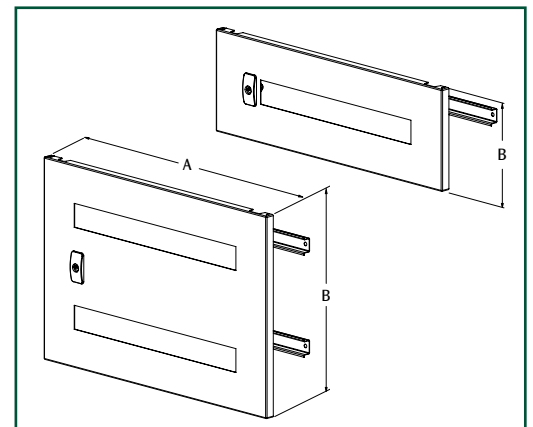
#### SUPPLY

Includes 1 piece complete with DIN profiles.

#### PAINT FINISH

Colour: RAL 7035 textured finish.

Note: EUSO horizontal rail to be ordered separately.



DOORS WITH MODULE SLOT			
EUPD CODE	DIMENSIONS		N° OF SLOTS (18 MM)
	A	B	
EUPD060020M	600	200	1x22
EUPD060040M	600	400	2x24
EUPD080020M	800	200	1x33
EUPD080040M	800	400	2x35

### 3. CHOICE OF THE INNER ACCESSORIES

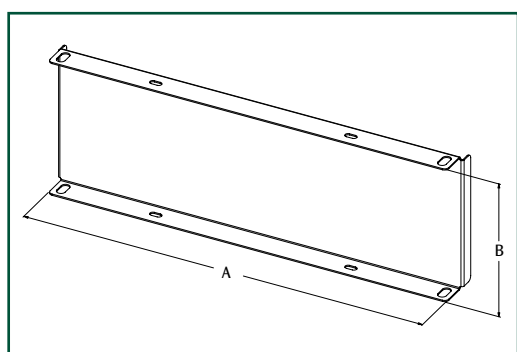
#### MOUNTING PLATE EUPU

##### CHARACTERISTICS

Manufactured from 2.0 mm thick sendzimir sheet steel.

##### SUPPLY

Includes 1 piece complete with mounting accessories.



MOUNTING PLATE				
EUPU CODE	DIMENSIONS		MOUNT. PLATE DIM.	
	WIDTH	HEIGHT	A	B
EUPU-060020	600	200	490	165
EUPU-060030	600	300	490	265
EUPU-060040	600	400	490	365
EUPU-060050	600	500	490	465
EUPU-060060	600	600	490	565
EUPU-060070	600	700	490	665
EUPU-060080	600	800	490	765
EUPU-060090	600	900	490	865
EUPU-060100	600	1000	490	965
EUPU-060120	600	1200	490	1165
EUPU-080020	800	200	690	165
EUPU-080030	800	300	690	265
EUPU-080040	800	400	690	365
EUPU-080050	800	500	690	465
EUPU-080060	800	600	690	565
EUPU-080070	800	700	690	665
EUPU-080080	800	800	690	765
EUPU-080090	800	900	690	865
EUPU-080100	800	1000	690	965
EUPU-080120	800	1200	690	1165

Modular

#### HORIZONTAL DOOR PROFILE EUSO

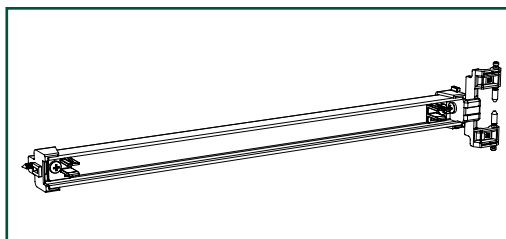
Required to lock the EUPD door on the structure.

##### CHARACTERISTICS

Manufactured from 1.5 mm thick sendzimir sheet steel.

##### SUPPLY

Includes 1 piece complete with locking units, hinges to be mounted on a blank EUPD door, screws and mounting accessories.



#### HOR. DOOR LOCKING PROFILE EUPD

EUSO CODE	CABINET WIDTH
EUSO-000600C	600
EUSO-000800C	800

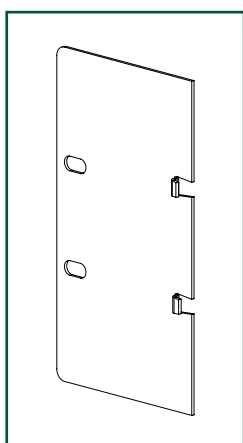
#### SIDE COVERS EUSV

##### CHARACTERISTICS

Manufactured from 1.5 mm thick sendzimir sheet steel.

##### SUPPLY

Includes 2 pieces complete with mounting accessories.



SIDE COVERS				
HEIGHT DOOR	CUBICLE DEPTH "D" MM			
	105	155	255	355
	EUSV CODE	EUSV CODE	EUSV CODE	EUSV CODE
200	EUSV-010020	EUSV-015020	EUSV-025020	EUSV-035020
300	EUSV-010030	EUSV-015030	EUSV-025030	EUSV-035030
400	EUSV-010040	EUSV-015040	EUSV-025040	EUSV-035040
500	EUSV-010050	EUSV-015050	EUSV-025050	EUSV-035050
600	EUSV-010060	EUSV-015060	EUSV-025060	EUSV-035060
700	EUSV-010070	EUSV-015070	EUSV-025070	EUSV-035070
800	EUSV-010080	EUSV-015080	EUSV-025080	EUSV-035080
900	EUSV-010090	EUSV-015090	EUSV-025090	EUSV-035090
1000	EUSV-010100	EUSV-015100	EUSV-025100	EUSV-035100
1200	EUSV-010120	EUSV-015120	EUSV-025120	EUSV-035120

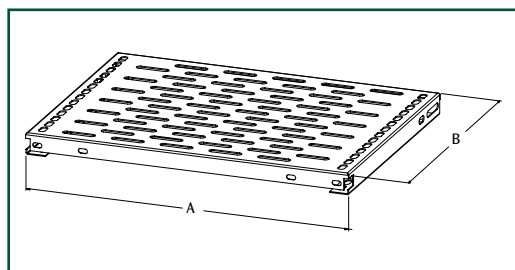
## HORIZONTAL PLATE EUDO

### CHARACTERISTICS

Manufactured from 1.5 mm thick sendzimir sheet steel.

### SUPPLY

Includes 1 piece complete with mounting accessories.



Modular

## HORIZONTAL PLATE

EUDO CODE	CABINET WIDTH	DIMENSIONS	
		A	B
EUDO-060010	600	496	122
EUDO-060015	600	496	172
EUDO-060025	600	496	272
EUDO-060040	600	496	372
EUDO-060050	600	496	472
EUDO-060060	600	496	572
EUDO-060080	600	496	772
EUDO-080010	800	696	122
EUDO-080015	800	696	172
EUDO-080025	800	696	272
EUDO-080040	800	696	372
EUDO-080050	800	696	472
EUDO-080060	800	696	572
EUDO-080080	800	696	772

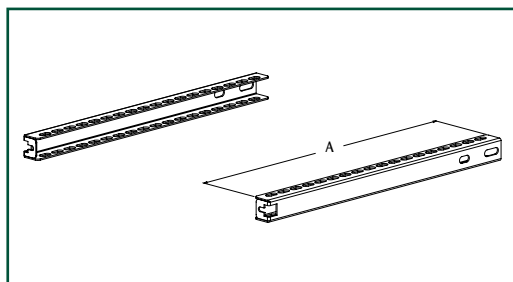
## RAILS WTPR

### CHARACTERISTICS

Manufactured from 2.0 mm thick sendzimir sheet steel.

### SUPPLY

2 pieces with mounting accessories.



## RAILS

WTPR CODE	LENGTH
WTPR-033010	122
WTPR-033015	172
WTPR-033025	272
WTPR-033040	372
WTPR-033050	472
WTPR-033060	572
WTPR-033080	772

## JOINING KIT EUKU-004

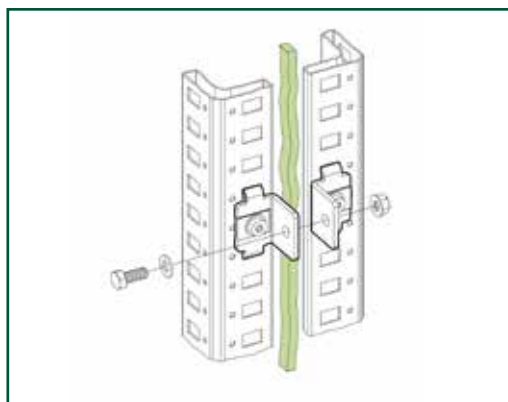
### CHARACTERISTICS

Manufactured from 4.0 mm thick zincpassivated sheet steel, allows to join multiple door cabinets in a quickly and effectively way.

### SUPPLY

8 pieces with mounting accessories.

**Note:** in order to lift suite cabinets with the joining kit EUKU-004, use lifting brackets WTSS-001 (see page 70).



## SIDE PANELS EUFI - M

### CHARACTERISTICS

Manufactured from sheet steel with folded sides.

### SUPPLY

Includes 2 pieces with mounting accessories.

### PAINT FINISH

ETA standard epoxy polyester powder coating. Colour: RAL 7035 textured finish.

**Note:** EUKF-001 mounting accessories to be ordered separately.

## SIDE PANELS

EUFI-M CODE	WIDTH	HEIGHT
EUFI040180M	400	1800
EUFI040200M	400	2000
EUFI040220M	400	2200
EUFI050180M	500	1800
EUFI050200M	500	2000
EUFI050220M	500	2200
EUFI060180M	600	1800
EUFI060200M	600	2000
EUFI060220M	600	2200
EUFI080180M	800	1800
EUFI080200M	800	2000
EUFI080220M	800	2200

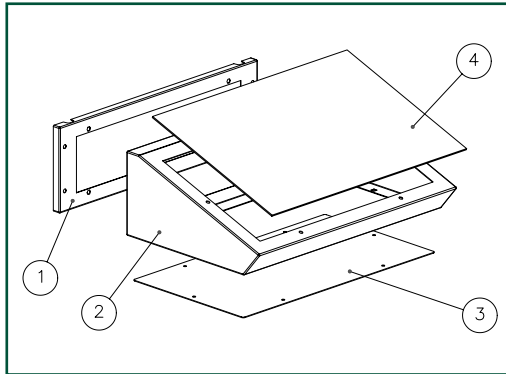
**DESK FOR MULTIPLE DOOR CABINET EULE**

**CHARACTERISTICS**

Manufactured from 1.5 mm thick sheet steel.

**PAINT FINISH**

Colour: RAL 7035 textured finish.



**DESK FOR MULTIPLE DOOR CABINET**

EULE CODE	CABINET WIDTH	DESCRIPTION	REF.
EULE000600	600	TRIM PANEL	1
		DESK	2
		BOTTOM FLANGE	3
		TOP COVER	4
EULE000800	800	TRIM PANEL	1
		DESK	2
		BOTTOM FLANGE	3
		TOP COVER	4

Modular





**CHARACTERISTICS/SUPPLY**

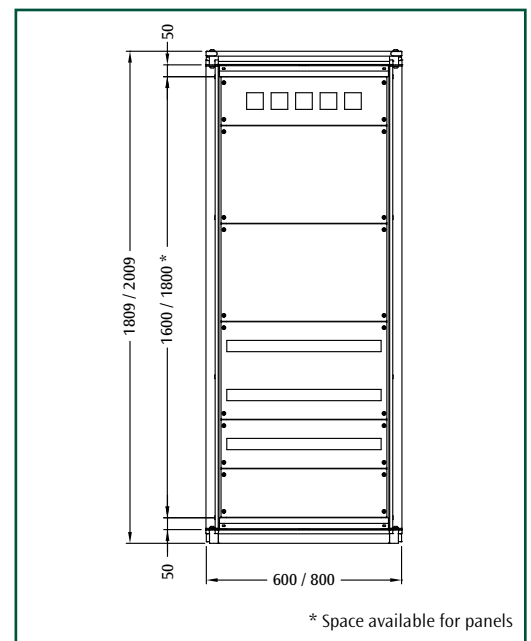
- The solution is composed by:
- E NUX structure and bottom with adjustable cable entry manufactured from high-strength low-alloy sheet steel
  - rear panel manufactured from sheet steel
  - front door manufactured from sheet steel, with a 4.0 mm thick plexi, complete with a  $\varnothing$  3 mm lever-operated double bar locking system (alternatively, blank door available).

**PAINT FINISH**

- ETA standard epoxy polyester powder coating:
- structure: colour RAL 7035 smooth finish
  - rear panel: colour RAL 7035 textured finish
  - roof: colour RAL 5020 textured finish.

**PROTECTION RATING**

- IP55 according to IEC EN62208; EN60529
- NEMA 12 according to UL508A; UL50
- protection degree guaranteed by the two-component polyurethane foam
- impact resistance IK10 complying with IEC EN62208; EN62262.



Modular



EUFI side panels, see page 57



EUZE modular plinth, see page 58

### ASSEMBLED CABINET WITH PLEXI DOOR

DIMENSIONS			E NUX
W	H	D	CODE
600	1800	400	ENUX061804PV
600	1800	500	ENUX061805PV
600	1800	600	ENUX061806PV
600	1800	800	ENUX061808PV
800	1800	400	ENUX081804PV
800	1800	500	ENUX081805PV
800	1800	600	ENUX081806PV
800	1800	800	ENUX081808PV
600	2000	400	ENUX062004PV
600	2000	500	ENUX062005PV
600	2000	600	ENUX062006PV
600	2000	800	ENUX062008PV
800	2000	400	ENUX082004PV
800	2000	500	ENUX082005PV
800	2000	600	ENUX082006PV
800	2000	800	ENUX082008PV

**Note:** for the assembled cabinet with blank door, see ENUX codes on pages 34 and 35.

**Note:** to these codes, add the structure EUSM.

### FLAT-PACK CABINET WITH PLEXI DOOR

DIMENSIONS			ROOF	PLEXI DOOR	REAR PANEL
W	H	D	+ BOTTOM	+ FRONT UPRIGHTS	+ REAR UPRIGHTS
600	1800	400	EUTF060040	EUPV060180	EURE060180
600	1800	500	EUTF060050	EUPV060180	EURE060180
600	1800	600	EUTF060060	EUPV060180	EURE060180
600	1800	800	EUTF060080	EUPV060180	EURE060180
800	1800	400	EUTF080040	EUPV080180	EURE080180
800	1800	500	EUTF080050	EUPV080180	EURE080180
800	1800	600	EUTF080060	EUPV080180	EURE080180
800	1800	800	EUTF080080	EUPV080180	EURE080180
600	2000	400	EUTF060040	EUPV060200	EURE060200
600	2000	500	EUTF060050	EUPV060200	EURE060200
600	2000	600	EUTF060060	EUPV060200	EURE060200
600	2000	800	EUTF060080	EUPV060200	EURE060200
800	2000	400	EUTF080040	EUPV080200	EURE080200
800	2000	500	EUTF080050	EUPV080200	EURE080200
800	2000	600	EUTF080060	EUPV080200	EURE080200
800	2000	800	EUTF080080	EUPV080200	EURE080200

**Note:** for blank door, see EUPO codes on page 34 and 35.

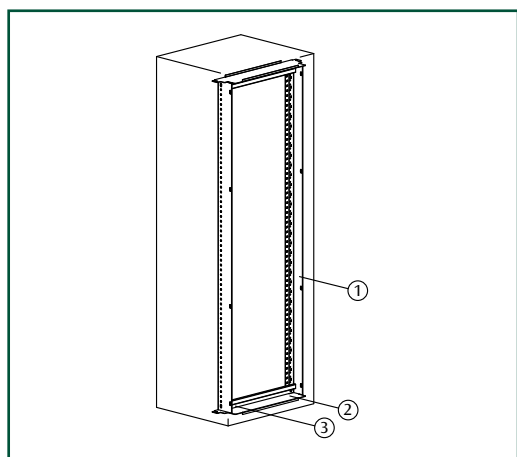
**Note:** to these codes, add the structure EUSM.

Modular

## MODULAR STRUCTURE EUSM

### CHARACTERISTICS/SUPPLY

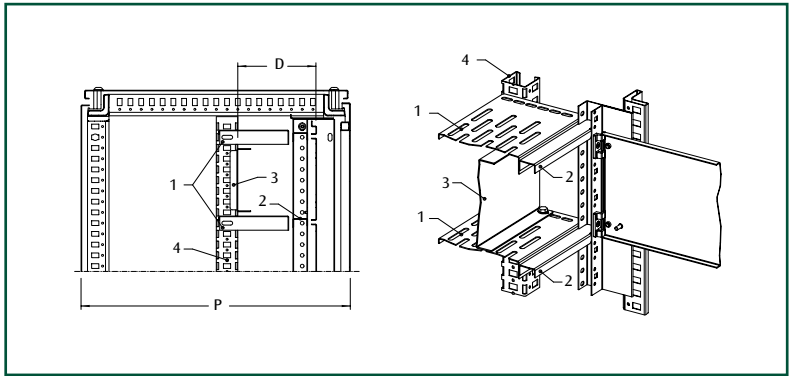
A pair of 1.5 mm thick press bent sheet steel uprights and rails (Ref. 1 and 2). Trim rails manufactured from 1.5 mm thick sheet steel (Ref. 3), painted in RAL 7035 textured finish.



### MODULAR STRUCTURE

EUSM CODE	DIMENSIONS		REF.	DESCRIPTION
	WIDTH	HEIGHT		
EUSM060180	600	1800	1	TWO UPRIGHTS
			2	TWO COVERS
			3	TWO TRIM RAILS
EUSM080180	800	1800	1	TWO UPRIGHTS
			2	TWO COVERS
			3	TWO TRIM RAILS
EUSM060200	600	2000	1	TWO UPRIGHTS
			2	TWO COVERS
			3	TWO TRIM RAILS
EUSM080200	800	2000	1	TWO UPRIGHTS
			2	TWO COVERS
			3	TWO TRIM RAILS

1. IDENTIFICATION OF THE CONFIGURATION BASED ON E NUX

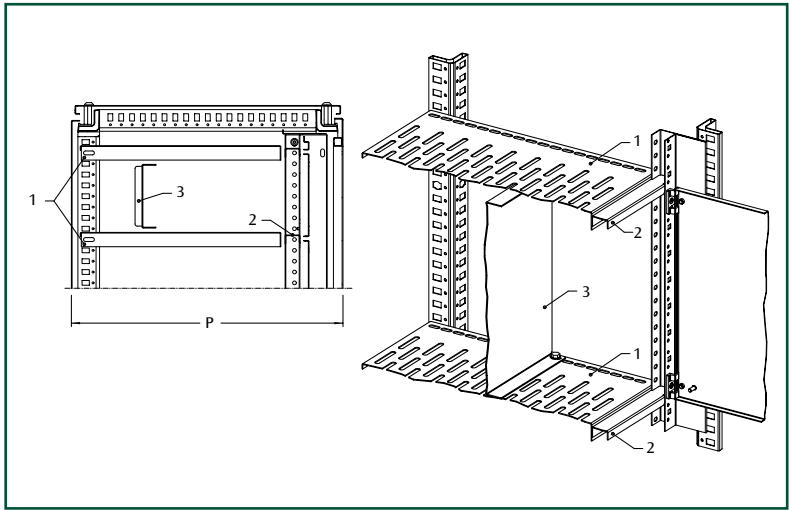


LEGEND

REF.	DESCRIPTION
1	PARTIAL HORIZONTAL PLATE: EUDO
2	FRONT COVER: EUSA
3	MOUNTING PLATE: EUPU
4*	RAILS WTPR-050180CP (H=1800)
4*	RAILS WTPR-050200CP (H=2000)

\* To be ordered separately: fixing brackets for profiles WTSF-001CP.

Modular



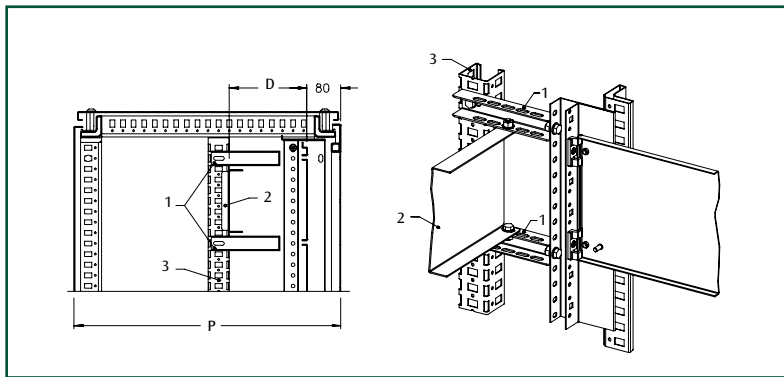
LEGEND

REF.	DESCRIPTION
1	TOTAL HORIZONTAL PLATE: EUDO
2	FRONT COVER: EUSA
3	MOUNTING PLATE: EUPU

HORIZONTAL PLATE\*

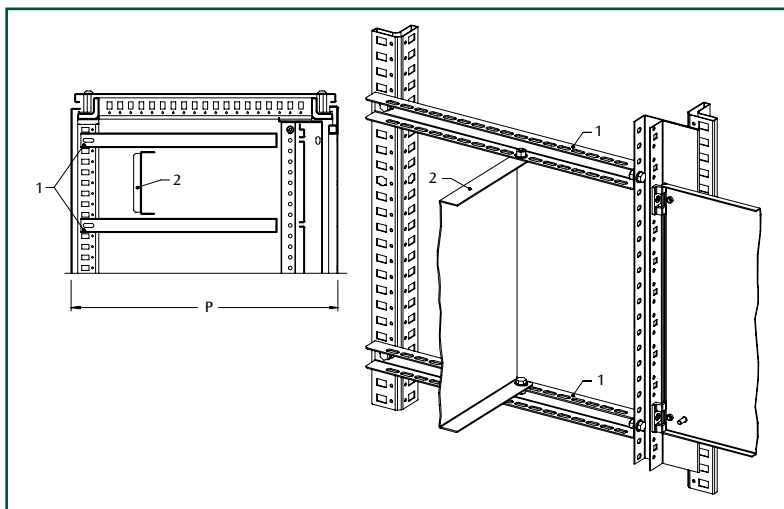
CABINET DEPTH		PARTIAL HORIZONTAL PLATE		TOTAL HORIZONTAL PLATE	
P	D MAX	CABINET WIDTH=600	CABINET WIDTH=800	CABINET WIDTH=600	CABINET WIDTH=800
400	125	EUDO-060010	EUDO-080010	EUDO-060025	EUDO-080025
400	175	EUDO-060015	EUDO-080015	EUDO-060025	EUDO-080025
500	125	EUDO-060010	EUDO-080010	EUDO-060040	EUDO-080040
500	175	EUDO-060015	EUDO-080015	EUDO-060040	EUDO-080040
500	275	EUDO-060025	EUDO-080025	EUDO-060040	EUDO-080040
600	125	EUDO-060010	EUDO-080010	EUDO-060050	EUDO-080050
600	175	EUDO-060015	EUDO-080015	EUDO-060050	EUDO-080050
600	275	EUDO-060025	EUDO-080025	EUDO-060050	EUDO-080050
600	375	EUDO-060040	EUDO-080040	EUDO-060050	EUDO-080050
800	125	EUDO-060010	EUDO-080010	EUDO-060070	EUDO-080070
800	175	EUDO-060015	EUDO-080015	EUDO-060070	EUDO-080070
800	275	EUDO-060025	EUDO-080025	EUDO-060070	EUDO-080070
800	375	EUDO-060040	EUDO-080040	EUDO-060070	EUDO-080070

\* Single piece



LEGEND	
REF.	DESCRIPTION
1	PARTIAL RAIL: WTPR
2	MOUNTING PLATE: EUPU
3*	RAILS WTPR-050180CP (H=1800)
3*	RAILS WTPR-050200CP (H=2000)

\* To be ordered separately: fixing brackets for profiles WTSF-001CP.



LEGEND	
REF.	DESCRIPTION
1	TOTAL RAIL: WTPR
2	MOUNTING PLATE: EUPU

### RAILS\*

CABINET DEPTH		PARTIAL DEPTH	TOTAL DEPTH
P	D MAX	WTPR CODE	WTPR CODE
400	125	WTPR-033010	WTPR-033025
400	175	WTPR-033015	WTPR-033025
500	125	WTPR-033010	WTPR-033040
500	175	WTPR-033015	WTPR-033040
500	275	WTPR-033025	WTPR-033040
600	125	WTPR-033010	WTPR-033050
600	175	WTPR-033015	WTPR-033050
600	275	WTPR-033025	WTPR-033050
600	375	WTPR-033040	WTPR-033050
800	125	WTPR-033010	WTPR-033070
800	175	WTPR-033015	WTPR-033070
800	275	WTPR-033025	WTPR-033070
800	375	WTPR-033040	WTPR-033070

\* 2 pieces

Modular

## 2. CHOICE OF THE CABINET CONFIGURATION BY SIMPLE PANEL/DOOR SELECTION

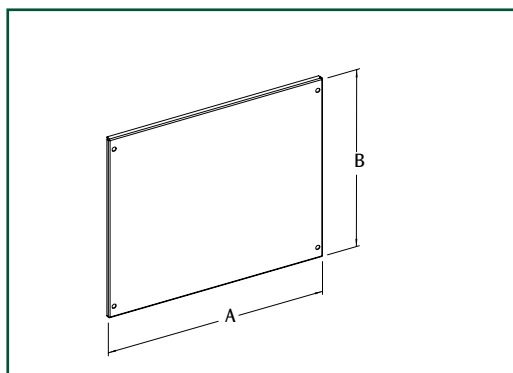
### BLANK PANELS EUPM

#### CHARACTERISTICS

Manufactured from 1.5 mm thick sheet steel in RAL 7035 textured finish.

#### SUPPLY

Includes 1 piece complete with mounting accessories.



BLANK PANELS			
EUPM CODE	WIDTH CABINET	DIMENSIONS	
		A	B
EUPM060020	600	476	200
EUPM060030	600	476	300
EUPM060040	600	476	400
EUPM060050	600	476	500
EUPM060060	600	476	600
EUPM060070	600	476	700
EUPM060080	600	476	800
EUPM080020	800	676	200
EUPM080030	800	676	300
EUPM080040	800	676	400
EUPM080050	800	676	500
EUPM080060	800	676	600
EUPM080070	800	676	700
EUPM080080	800	676	800

Modular

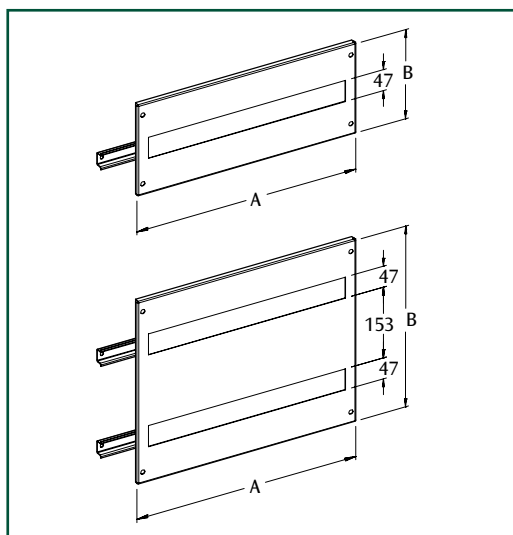
### PUNCHED PANELS EUPM

#### CHARACTERISTICS

Manufactured from 1.5 mm thick sheet steel painted in RAL 7035 textured finish.

#### SUPPLY

Includes 1 piece complete with mounting accessories and DIN profiles.



PUNCHED PANELS				
EUPM CODE	WIDTH CABINET	DIMENSIONS		NO. MOD. 18 MM
		A	B	
EUPM060020M	600	476	200	1x24
EUPM060040M	600	476	400	2x24
EUPM080020M	800	676	200	1x35
EUPM080040M	800	676	400	2x35

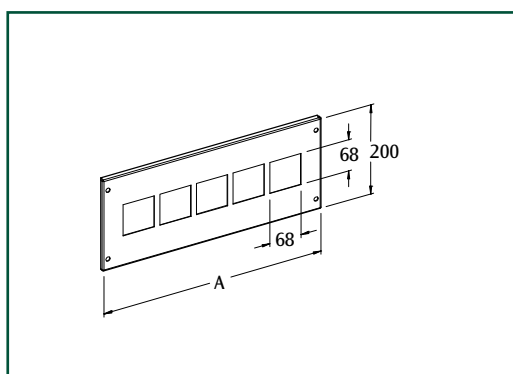
### PUNCHED PANELS EUPH

#### CHARACTERISTICS

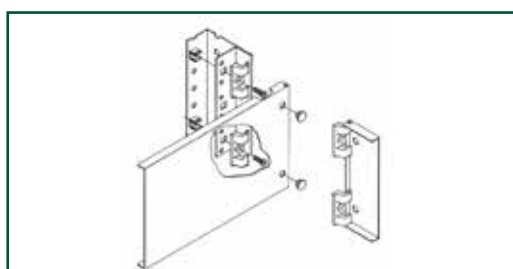
Manufactured from 1.5 mm thick sheet steel painted in RAL 7035 textured finish.

#### SUPPLY

Includes 1 piece complete with mounting accessories and hinges.



PUNCHED PANELS		
EUPH CODE	WIDTH CABINET	DIMENSIONS
		A
EUPH060020	600	476
EUPH080020	800	676



### HINGES MDWA-025

Easy fitting hinges, 90° opening. Made from zinc alloy.

#### SUPPLY

Includes 2 pieces with mounting accessories.

### 3. CHOICE OF THE INNER ACCESSORIES

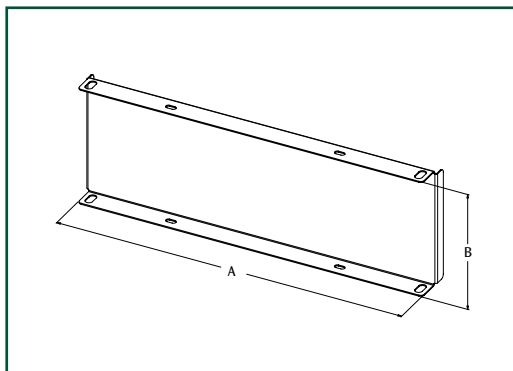
#### MOUNTING PLATE EUPU

##### CHARACTERISTICS

Manufactured from 2.0 mm thick sendzimir sheet steel.

##### SUPPLY

Includes 1 piece complete with mounting accessories.



#### MOUNTING PLATE

EUPU CODE	CAB. WIDTH	PANO. HEIGHT	DIMENSIONS	
			A	B
EUPU-060020	600	200	490	165
EUPU-060030	600	300	490	265
EUPU-060040	600	400	490	365
EUPU-060050	600	500	490	465
EUPU-060060	600	600	490	565
EUPU-060070	600	700	490	665
EUPU-060080	600	800	490	765
EUPU-080020	800	200	690	165
EUPU-080030	800	300	690	265
EUPU-080040	800	400	690	365
EUPU-080050	800	500	690	465
EUPU-080060	800	600	690	565
EUPU-080070	800	700	690	665
EUPU-080080	800	800	690	765

Modular

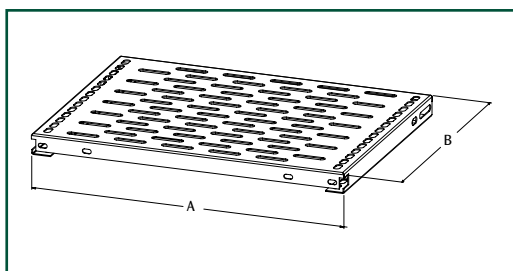
#### HORIZONTAL PLATE EUDO

##### CHARACTERISTICS

Manufactured from 1.5 mm thick sendzimir sheet steel.

##### SUPPLY

Includes 1 piece complete with mounting accessories.



#### HORIZONTAL PLATE

EUDO CODE	CAB. WIDTH	DIMENSIONS	
		A	B
EUDO-060010	600	496	122
EUDO-060015	600	496	172
EUDO-060025	600	496	272
EUDO-060040	600	496	372
EUDO-060050	600	496	472
EUDO-060070	600	496	672
EUDO-080010	800	696	122
EUDO-080015	800	696	172
EUDO-080025	800	696	272
EUDO-080040	800	696	372
EUDO-080050	800	696	472
EUDO-080070	800	696	672

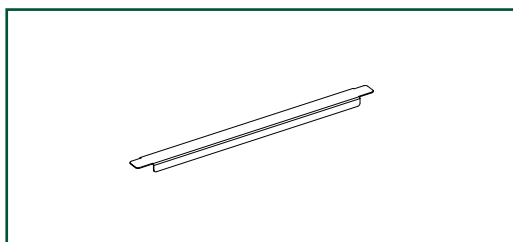
#### FRONT COVERS EUSA

##### CHARACTERISTICS

Manufactured from 1.5 mm thick sendzimir sheet steel.

##### SUPPLY

Includes 1 piece complete with mounting accessories.



#### FRONT COVERS

EUSA CODE	CABINET
	WIDTH
EUSA-000600	600
EUSA-000800	800

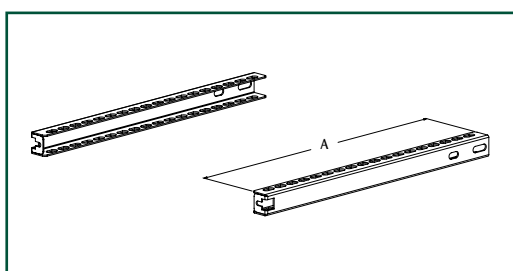
#### RAILS WTPR

##### CHARACTERISTICS

Manufactured from 2.0 mm thick sendzimir sheet steel.

##### SUPPLY

Includes 2 pieces complete with mounting accessories.



#### RAILS

WTPR CODE	LENGTH
	A
WTPR-033010	122
WTPR-033015	172
WTPR-033025	272
WTPR-033040	372
WTPR-033050	472
WTPR-033070	672





# e nux

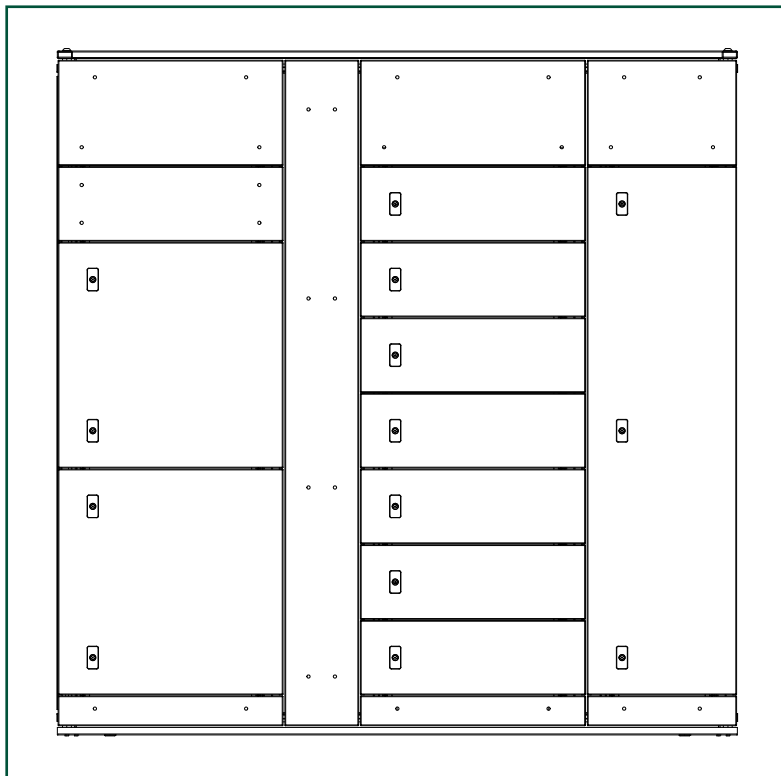
## MODULAR CABINET WITH MULTIPLE DOORS

### FEATURES

- 1 Assembly achievable on the basis of the customer's specification, through the use of ETA standard components and accessories.
- 2 Standard ETA roof, bottom, rear panel and structural uprights.
- 3 Possibility to mount adjacent inner cubicles.
- 4 An independent cable entry for each column, thanks to the rails screwed on the bottom.
- 5 An innovative and simple interlocking mounting system of the cubicles.
- 6 Universal bracket for the fixing of vertical uprights with the possibility to be mounted in an halfway position or at the top.
- 7 Top and bottom panels for the passage of busbars and screwed panel for the passage of cables and terminals.
- 8 Cabinet available in both flat-pack and, on request, in assembled version.



## E NUX MULTIPLE DOOR STRUCTURE



### CHARACTERISTICS

- structure and bottom without cable entry rail manufactured from high-strength low-alloy sheet steel
- removable roof manufactured from sheet steel
- rear panel manufactured from sheet steel with folded sides.

### SUPPLY

Includes roof, bottom, 2 structural uprights and a rear panel complete with 2 structural uprights. Available assembled or in flat-pack version.

### PAINT FINISH

- ETA standard epoxy polyester powder coating.
- structure: colour RAL 7035 smooth finish
  - rear panel: colour RAL 7035 textured finish
  - roof: colour RAL 5020 textured finish.

For different dimensions, please contact the ETA sales office.

Modular

ROOF AND BOTTOM		
EUTF CODE	DIMENSIONS	
	WIDTH	DEPTH
EUTF140040M	1400	400
EUTF140050M	1400	500
EUTF140060M	1400	600
EUTF140080M	1400	800
EUTF160040M	1600	400
EUTF160050M	1600	500
EUTF160060M	1600	600
EUTF160080M	1600	800

REAR PANEL		
EURE CODE	DIMENSIONS	
	WIDTH	HEIGHT
EURE140180	1400	1800
EURE140200	1400	2000
EURE140220	1400	2200
EURE160180	1600	1800
EURE160200	1600	2000
EURE160220	1600	2200

STRUCTURAL UPRIGHTS	
EUMT CODE	HEIGHT
	EUMT001800
EUMT002000	2000
EUMT002200	2200

Note: assembled version available on request.



## SIDE PANELS EUFI - M

### CHARACTERISTICS

Manufactured from sheet steel with folded sides.

### SUPPLY

2 pieces with mounting accessories.

### PAINT FINISH

ETA standard epoxy polyester powder coating.  
Colour: RAL 7035 textured finish.

SIDE PANELS		
EUFI CODE	WIDTH	HEIGHT
	EUFI040180M	400
EUFI040200M	400	2000
EUFI040220M	400	2200
EUFI050180M	500	1800
EUFI050200M	500	2000
EUFI050220M	500	2200
EUFI060180M	600	1800
EUFI060200M	600	2000
EUFI060220M	600	2200
EUFI080180M	800	1800
EUFI080200M	800	2000
EUFI080220M	800	2200

## MODULAR DIVIDING UPRIGHT EUMD

### CHARACTERISTICS

Manufactured from sheet steel.

### SUPPLY

Includes 1 piece with mounting screws.

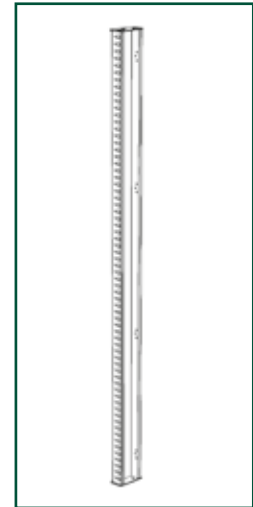
### PAINT FINISH

Colour: RAL 7035 smooth finish.

**Note:** to be ordered separately the EUTG cable entry division rail, unless the upright is positioned at 200 mm with modular panel EUAV W=200 mm: in this case it is necessary the EUTG-L rail.

### MODULAR DIVIDING UPRIGHT

EUMD CODE	HEIGHT
EUMD001800	1800
EUMD002000	2000
EUMD002200	2200



Modular

## MODULAR BLANK SCREWED PANEL EUAV W=200

### CHARACTERISTICS

Manufactured from 1.5 mm thick sheet steel.

### SUPPLY

Includes 1 piece with mounting screws.

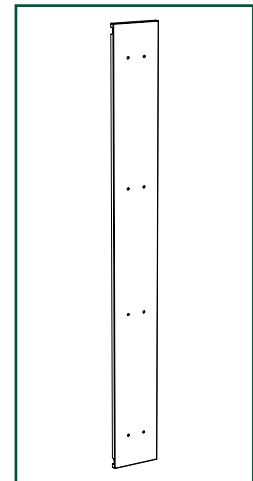
### PAINT FINISH

Colour: RAL 7035 textured finish

**Note:** to be ordered separately the cable entry plate EUTM (see page 129) in case that the EUAV panel is in a central position.

### MODULAR BLANK SCREWED PANEL

EUAV CODE	WIDTH	HEIGHT
EUAV020180	200	1800
EUAV020200	200	2000
EUAV020220	200	2200



## MODULAR BLANK SCREWED PANEL EUAV

### CHARACTERISTICS

Manufactured from 1.5 mm thick sheet steel.

### SUPPLY

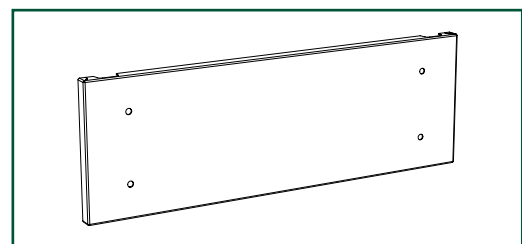
Includes 1 piece with mounting screws.

### PAINT FINISH

Colour: RAL 7035 textured finish.

### MODULAR BLANK SCREWED PANEL

EUAV CODE	WIDTH	HEIGHT
EUAV040015	400	150
EUAV040020	400	200
EUAV040025	400	250
EUAV040030	400	300
EUAV040040	400	400
EUAV060015	600	150
EUAV060020	600	200
EUAV060025	600	250
EUAV060030	600	300
EUAV060040	600	400
EUAV080020	800	200
EUAV080030	800	300
EUAV080040	800	400



### TOP/BOTTOM PANEL WTCS

#### CHARACTERISTICS

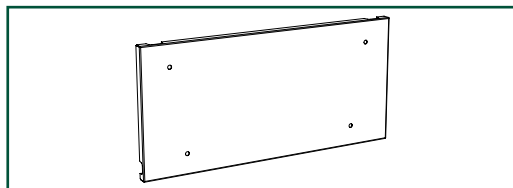
Manufactured from 1.5 mm thick sheet steel.

#### SUPPLY

Includes 1 piece with screws and mounting accessories.

#### PAINT FINISH

Colour: RAL 7035 textured finish.



#### TOP/BOTTOM PANEL

WTCS CODE	WIDTH	HEIGHT
WTCS040100	400	100
WTCS040300	400	300
WTCS060100	600	100
WTCS060300	600	300
WTCS080100	800	100
WTCS080300	800	300

### MODULAR HORIZONTAL RAIL EUISO

It is necessary to fix the EUAV panel or the EUPD door.

#### CHARACTERISTICS

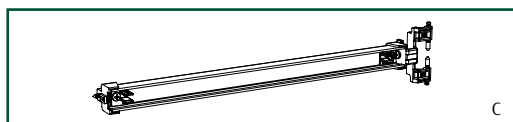
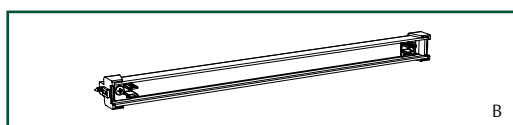
Manufactured from 1.5 mm thick sendzimir sheet steel.

#### SUPPLY

Includes 1 piece with screws, mounting accessories, locking blocks and hinges (to fix the door EUPD).

#### MODULAR HORIZONTAL RAIL

EUISO CODE	WIDTH	FIXING
EUISO-000400B	400	PANEL EUAV
EUISO-000600B	600	PANEL EUAV
EUISO-000800B	800	PANEL EUAV
EUISO-000400C	400	DOOR EUPD
EUISO-000600C	600	DOOR EUPD
EUISO-000800C	800	DOOR EUPD



### MODULAR BLANK DOOR EUPD

#### CHARACTERISTICS

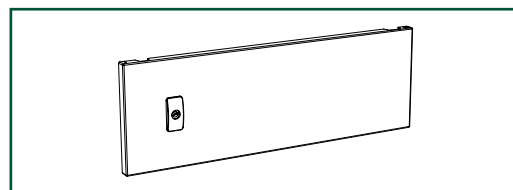
Manufactured from 1.5 mm thick sheet steel.

#### SUPPLY

Includes 1 piece with screws and mounting accessories.

#### PAINT FINISH

Colour: RAL 7035 textured finish.



#### MODULAR BLANK DOOR

EUPD CODE	WIDTH	HEIGHT
EUPD040015	400	150
EUPD040020	400	200
EUPD040025	400	250
EUPD040030	400	300
EUPD040040	400	400
EUPD040050	400	500
EUPD040060	400	600
EUPD040120	400	1200
EUPD040140	400	1400
EUPD040160	400	1600
EUPD040180	400	1800
EUPD040200	400	2000
EUPD060015	600	150
EUPD060020	600	200
EUPD060025	600	250
EUPD060030	600	300
EUPD060040	600	400
EUPD060050	600	500
EUPD060060	600	600
EUPD060080	600	800
EUPD060100	600	1000
EUPD060120	600	1200
EUPD060140	600	1400
EUPD060160	600	1600
EUPD060180	600	1800
EUPD060200	600	2000
EUPD080030	800	300
EUPD080040	800	400
EUPD080060	800	600
EUPD080080	800	800
EUPD080100	800	1000
EUPD080120	800	1200

## INNER UPRIGHTS WTPL

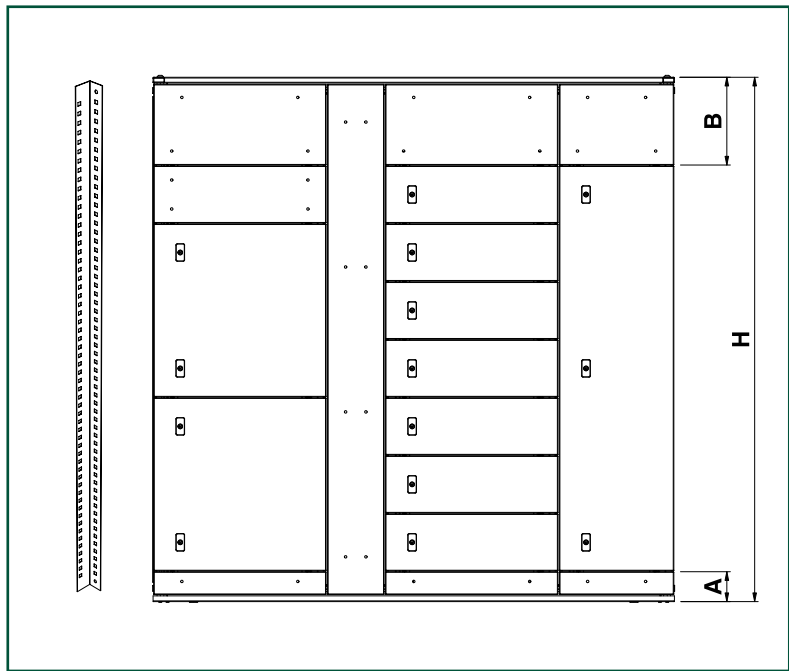
### CHARACTERISTICS

Manufactured from 1.5 mm thick sendzimir sheet steel.

### SUPPLY

Includes 2 pieces with mounting accessories.

INNER UPRIGHTS			
WTPL CODE	CAB. HEIGHT H	FRONT PAN. HEIGHT	
		A	B
WTPL-001600	1800	100	300
WTPL-001600	1800	300	300
WTPL-001800	1800	100	100
WTPL-001800	1800	300	100
WTPL-001800	2000	100	300
WTPL-001800	2000	300	300
WTPL-002000	2000	100	100
WTPL-002000	2000	300	100
WTPL-002000	2200	100	300
WTPL-002000	2200	300	300
WTPL-002200	2200	100	100
WTPL-002200	2200	300	100



Modular

## MOUNTING BRACKETS FOR INNER UPRIGHTS EUTL

Fixed along the depth of the cabinet allows the upper fixing of WTPL uprights.

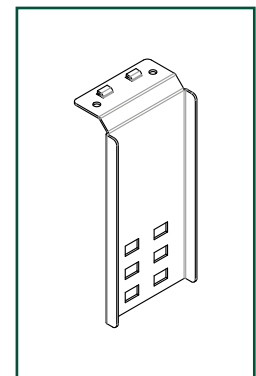
### CHARACTERISTICS

Manufactured from 2.0 mm thick sendzimir sheet steel.

### SUPPLY

Includes 1 piece with mounting accessories.

MOUNTING BRACKET FOR UPRIGHTS	
EUTL CODE	CUBICLE DEPTH
EUTL-000250	250
EUTL-000350	350



## RAIL FOR INNER UPRIGHTS EUTG - L

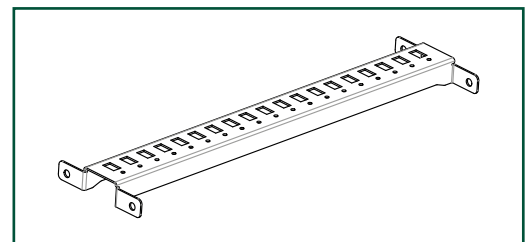
### CHARACTERISTICS

Manufactured from 2.0 mm thick sendzimir sheet steel.

### SUPPLY

Includes 1 piece with mounting accessories.

RAIL FOR INNER UPRIGHTS	
EUTG - L CODE	CABINET DEPTH
EUTG-000400L	400
EUTG-000500L	500
EUTG-000600L	600
EUTG-000800L	800



## HORIZONTAL MODULAR DIVIDING PANEL EUDM

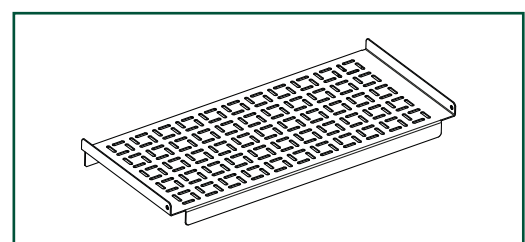
### CHARACTERISTICS

Manufactured from 1.5 mm thick sendzimir sheet steel.

### SUPPLY

Includes 1 piece with mounting accessories.

HORIZ. MODULAR DIVIDING PANEL		
EUDM CODE	WIDTH	DEPTH
EUDM-040025	400	250
EUDM-040035	400	350
EUDM-060025	600	250
EUDM-060035	600	350
EUDM-080025	800	250
EUDM-080035	800	350



### CUBICLE EUCM

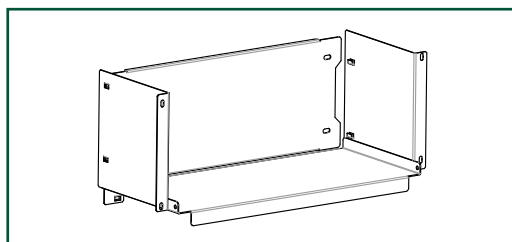
#### CHARACTERISTICS

Manufactured from 1.5 mm thick sendzimir sheet steel.

#### SUPPLY

Includes 1 cubicle with mounting accessories comprising off:

- 1 horizontal plate
- 2 vertical covers
- 1 divided plate.



CUBICLE			
EUCM CODE	WIDTH	HEIGHT	DEPTH
EUCM-4001525	400	150	250
EUCM-4001535	400	150	350
EUCM-4002025	400	200	250
EUCM-4002035	400	200	350
EUCM-4002525	400	250	250
EUCM-4002535	400	250	350
EUCM-4003025	400	300	250
EUCM-4003035	400	300	350
EUCM-4004025	400	400	250
EUCM-4004035	400	400	350
EUCM-6001525	600	150	250
EUCM-6001535	600	150	350
EUCM-6002025	600	200	250
EUCM-6002035	600	200	350
EUCM-6002525	600	250	250
EUCM-6002535	600	250	350
EUCM-6003025	600	300	250
EUCM-6003035	600	300	350
EUCM-6004025	600	400	250
EUCM-6004035	600	400	350
EUCM-6006025	600	600	250
EUCM-6006035	600	600	350
EUCM-6008025	600	800	250
EUCM-6008035	600	800	350
EUCM-6010025	600	1000	250
EUCM-6010035	600	1000	350
EUCM-6012025	600	1200	250
EUCM-6012035	600	1200	350
EUCM-8003025	800	300	250
EUCM-8003035	800	300	350
EUCM-8004025	800	400	250
EUCM-8004035	800	400	350
EUCM-8006025	800	600	250
EUCM-8006035	800	600	350
EUCM-8008025	800	800	250
EUCM-8008035	800	800	350
EUCM-8010025	800	1000	250
EUCM-8010035	800	1000	350
EUCM-8012025	800	1200	250
EUCM-8012035	800	1200	350

### PLATE ADJUSTER WA

#### CHARACTERISTICS

Manufactured from 1.5 mm thick sendzimir sheet steel.

#### SUPPLY

Includes 2 pieces with mounting screws.

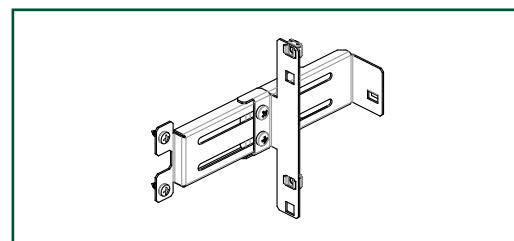


PLATE ADJUSTER	
WA CODE	CUBICLE DEPTH
WA977	250
WA978	350

Note: when H ≥ 600, order 2 packages.

### RAIL FOR CABLE ENTRY DIVISION EUTG

#### CHARACTERISTICS

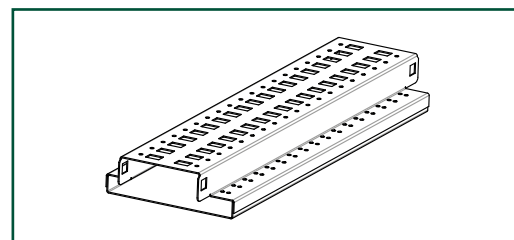
Manufactured from sheet steel.

#### SUPPLY

Includes 1 piece with mounting accessories.

#### PAINT FINISH

Colour: RAL 7035 smooth finish.



RAIL FOR CABLE ENTRY DIVISION	
EUTG CODE	CABINET DEPTH
EUTG000400	400
EUTG000500	500
EUTG000600	600
EUTG000800	800

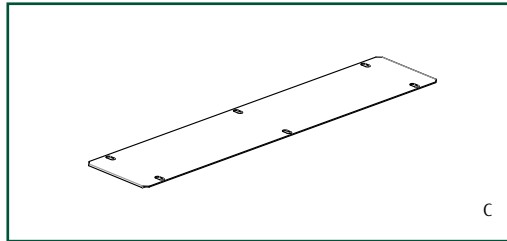
## CABLE ENTRY PLATE EUTM

### CHARACTERISTICS

Manufactured from 1.0 mm thick sendzimir sheet steel.

### SUPPLY

Includes 1 piece.



### CABLE ENTRY PLATE

CODE	CABINET DEPTH	COLUMN WIDTH
EUTM000400	400	200
EUTM000500	500	200
EUTM000600	600	200
EUTM000800	800	200

Modular

## CABLE ENTRY PLATE WTTG

### CHARACTERISTICS

Manufactured from 1.0 mm thick sendzimir sheet steel.

### SUPPLY

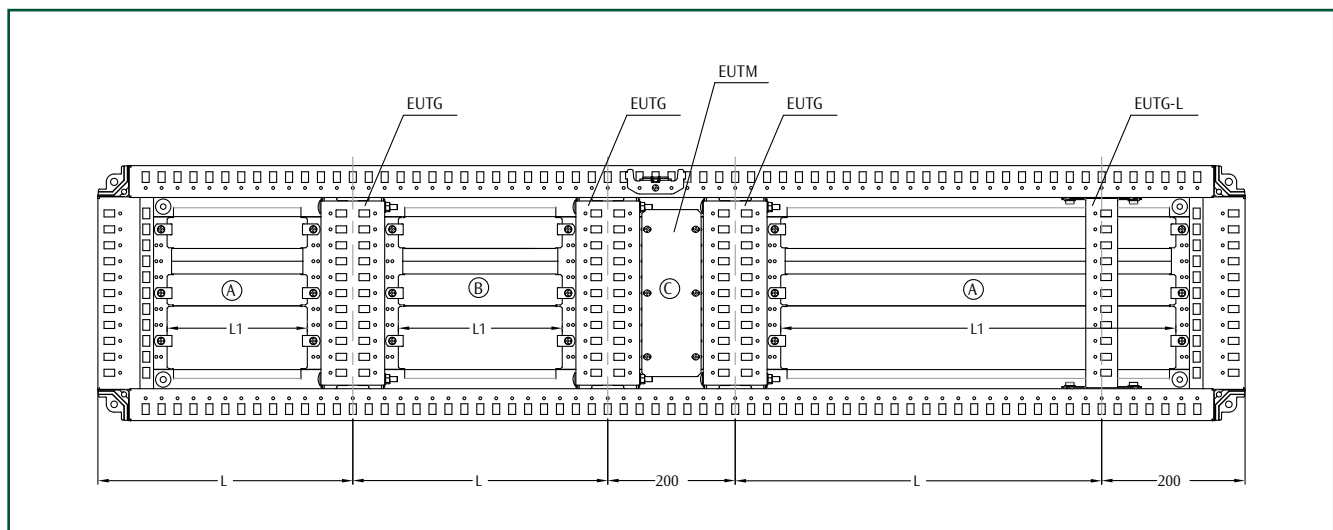
Includes 1 piece with mounting accessories.

### CABLE ENTRY PLATE

COLUMN WIDTH	CABLE ENTRY PLATE TYPE "A"		CABLE ENTRY PLATE TYPE "B"			
	CODE	L1	P	CODE	L1	P
400	WTTG-040050A	220	50	WTTG-040050B	257	50
400	WTTG-040100A	220	100	WTTG-040100B	257	100
600	WTTG-060050A	420	50	WTTG-060050B	457	50
600	WTTG-060100A	420	100	WTTG-060100B	457	100
800	WTTG-080050A	620	50	WTTG-080050B	657	50
800	WTTG-080100A	620	100	WTTG-080100B	657	100

### CABLE ENTRY PLATE

CABINET DEPTH	NR. OF CABLE ENTRY PLATE TYPE "A" OR TYPE "B"	
	P=50	P=100
400	2	1
500	2	5
600	2	3
800	2	5







PC

e NUX

PC SOLUTIONS

### FEATURES

ETA offer for PC solutions includes PC enclosures with sliding shelf on E NUX structure, assembled or in flat-pack version, with a modular front based on your specific requirements.





The PC cabinet with Pull-out Keyboard is available assembled or in flat-pack version.

**ASSEMBLED VERSION**

E NUX cabinet structure complete with high-strength low-alloy sheet steel uprights and bottom, roof and rear panel manufactured from sheet steel.

The front section is composed by:

- plexi upper door for monitor vision
- pull-out Keyboard with tilting front, complete with adjustable mouse pad
- sealed section to separate keyboard compartment/ enclosure, complete with: cable gland for keyboard and mouse, bi-adhesive tape for keyboard installation and monitor support
- lower blank front door.

**FLAT-PACK VERSION**

A pair of high-strength low-alloy sheet steel front uprights. Roof manufactured from sheet steel and high-strength low-alloy sheet steel bottom.

The front section is composed by:

- upper plexi door for monitor vision, upper screwed blank panel or upper hinged blank door.
- pull-out Keyboard or blank panel
- lower hinged blank door.

**PAINT FINISH**

ETA standard epoxy polyester powder coating:

- structure: colour RAL 7035 smooth finish
- PC front and rear door: colour RAL 7035 textured finish
- roof: colour RAL 5020 textured finish.

**PROTECTION RATING**

IP55.

**Note:** monitor support ( WTPU000600 ) to be ordered separately.

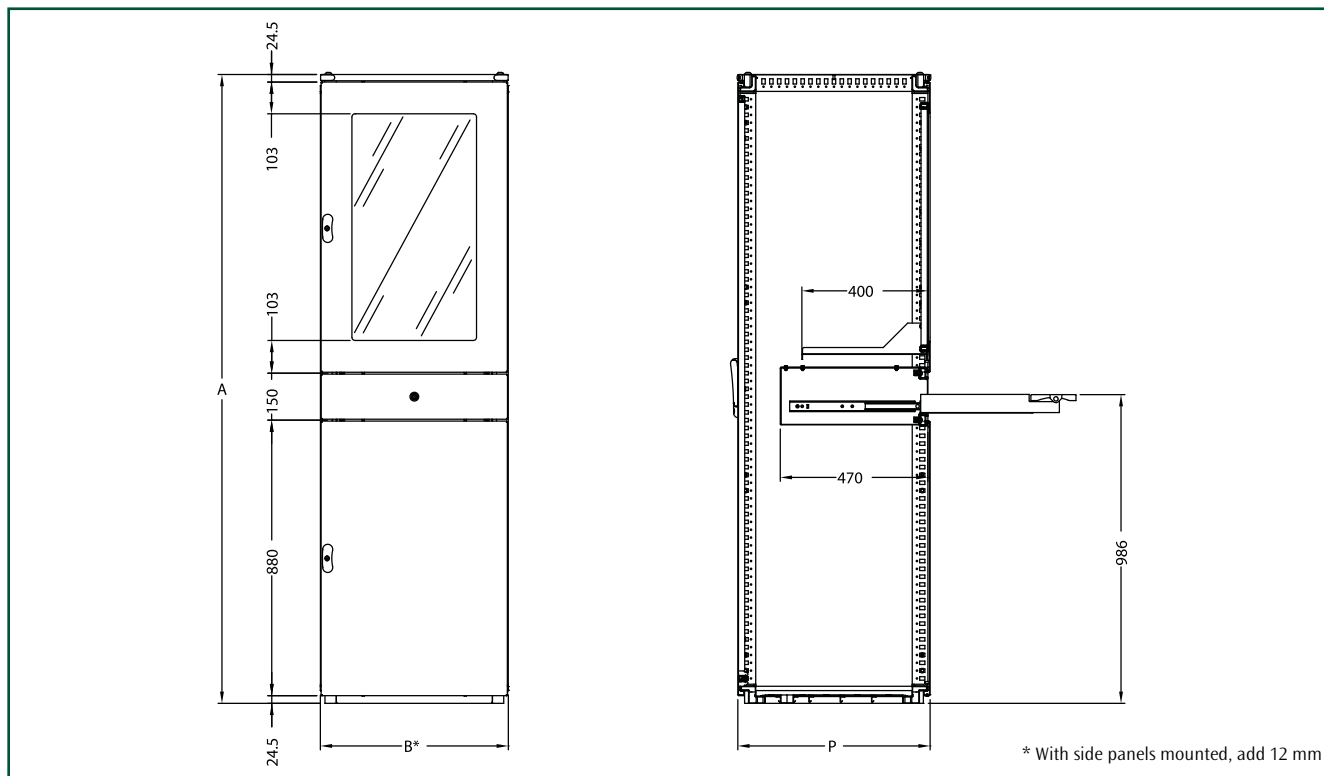
PC



Side panels EUFI, see page 57.



Universal plinth EUZE, see page 58.



### DIMENSIONAL SPECIFICATIONS

DIMENSIONS			CABINET DIMENSIONS		
WIDTH	HEIGHT	DEPTH	B*	A	P
600	1800	600	600	1809	614
600	1800	800	600	1809	814
600	2000	600	600	2009	614
600	2000	800	600	2009	814

### CODES FOR ASSEMBLED PC ENCLOSURE WITH SLIDING SHELF

DIMENSIONS			E NUX CODE
WIDTH	HEIGHT	DEPTH	
600	1800	600	EUPC061806CEC
600	1800	800	EUPC061808CEC
600	2000	600	EUPC062006CEC
600	2000	800	EUPC062008CEC

### CODES FOR FLAT-PACK ENCLOSURE WITH SLIDING SHELF

DIMENSIONS			CABINET STRUCTURE			FRONT PC COMPOSITION OPTIONS			
WIDTH	HEIGHT	DEPTH	TOP + BOTTOM	FRONTAL UPRIGHTS	REAR BLANK DOOR + UPRIGHTS	UPPER PLEXI DOOR (A)	UPPER BLANK DOOR (A)	KEYBOARD (B)	BLANK PANEL (C)
600	1800	600	EUTF060060	EUMT001800	EUP0060180	EUPC180PV	EUPC180PC	EUPC001CE	EUPC180PN
600	1800	800	EUTF060080	EUMT001800	EUP0060180	EUPC180PV	EUPC180PC	EUPC001CE	EUPC180PN
600	2000	600	EUTF060060	EUMT002000	EUP0060200	EUPC200PV	EUPC200PC	EUPC001CE	EUPC200PN
600	2000	800	EUTF060080	EUMT002000	EUP0060200	EUPC200PV	EUPC200PC	EUPC001CE	EUPC200PN

Note: other options are available as alternative solutions for the upper, central and lower part of the front.

Note: side panels EUFI to be ordered separately ( see pag. 57).

Note: H = 1600 available on request.

### UPPER PLEXI DOOR EUPC - PV

#### CHARACTERISTICS

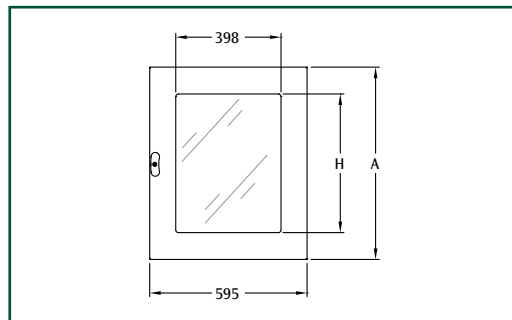
Manufactured from 2.0 mm thick sheet steel with plexi.

#### PAINT FINISH

Colour: RAL 7035 textured finish.

#### SUPPLY

Door with internal mounting profile, hinges and mounting accessories.



#### UPPER PLEXI DOOR

EUPC CODE	CABINET HEIGHT	A	H
EUPC180PV	1800	727	524
EUPC200PV	2000	927	724

### UPPER HINGED BLANK DOOR EUPC - PC

#### CHARACTERISTICS

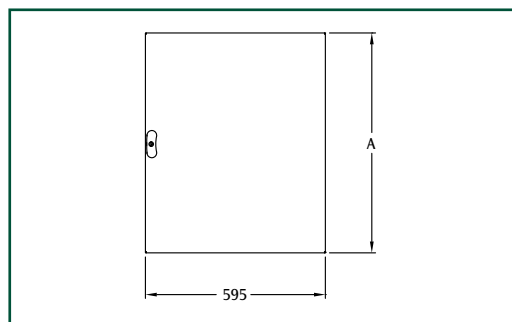
Manufactured from 2.0 mm thick sheet steel.

#### PAINT FINISH

Colour: RAL 7035 textured finish.

#### SUPPLY

Door with internal mounting profile, hinges and mounting accessories.



#### UPPER HINGED BLANK DOOR

EUPC CODE	CABINET HEIGHT	A
EUPC180PC	1800	727
EUPC200PC	2000	927

### UPPER SCREWED BLANK PANEL EUPC - PN

#### CHARACTERISTICS

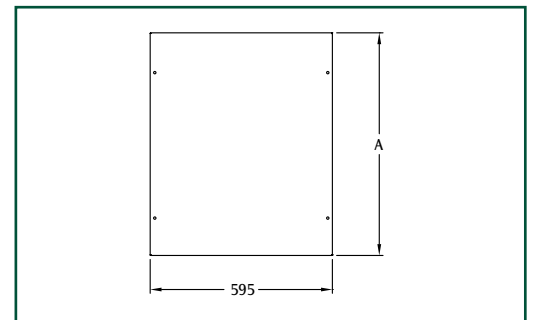
Manufactured from 1.5mm thick sheet steel.

#### PAINT FINISH

Colour: RAL 7035 textured finish.

#### SUPPLY

Panel with internal mounting profile and mounting accessories.



#### UPPER SCREWED BLANK PANEL

EUPC CODE	CABINET HEIGHT	A
EUPC180PN	1800	727
EUPC200PN	2000	927

### PULL-OUT KEYBOARD EUPC001CE

#### CHARACTERISTICS

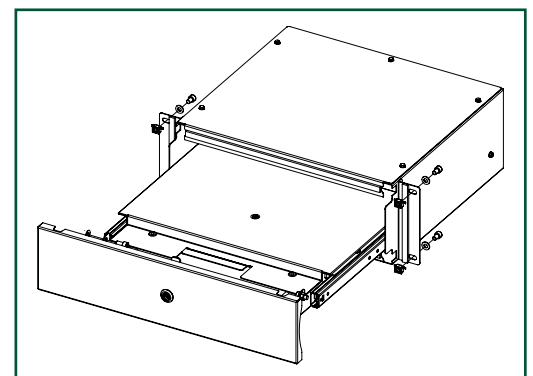
Manufactured from 1.5 mm thick sheet steel.

#### PAINT FINISH

Colour: RAL 7035 textured finish.

#### SUPPLY

Keyboard shelf with tilting front, complete with adjustable mouse pad and double bar central closure.



### BLANK PANEL EUPC015PN

#### CHARACTERISTICS

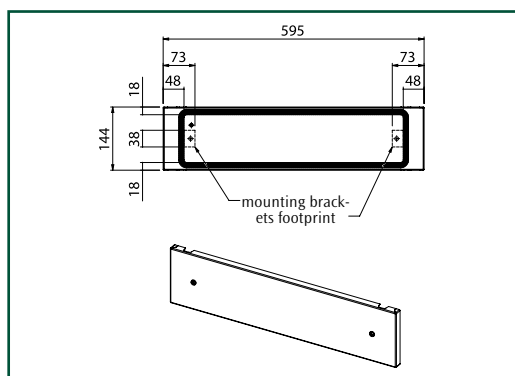
Manufactured from 1.5 mm thick sheet steel.

#### PAINT FINISH

Colour: RAL 7035 textured finish.

#### SUPPLY

Blank panel with mounting accessories.



### LOWER HINGED BLANK DOOR EUPC - C

#### CHARACTERISTICS

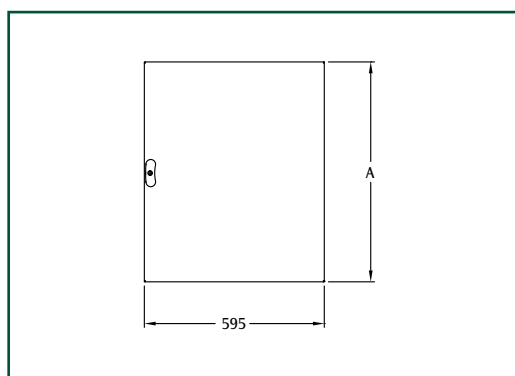
Manufactured from 2.0 mm thick sheet steel.

#### PAINT FINISH

Colour: RAL 7035 textured finish.

#### SUPPLY

Door with internal mounting profile, hinges and mounting accessories.



### LOWER HINGED BLANK DOOR

EUPC CODE	CABINET HEIGHT	A
EUPC180C	1800	877
EUPC200C	2000	877

### STRUCTURAL UPRIGHTS EUMT

#### CHARACTERISTICS

Manufactured from high-strength low-alloy sheet steel.

#### PAINT FINISH

Colour: RAL 7035 smooth finish.

#### SUPPLY

Includes 2 pieces.

### STRUCTURAL UPRIGHTS

EUMT CODE	CABINET HEIGHT
EUMT001800	1800
EUMT002000	2000

**Note:** to be ordered for the flat-pack version. To complete the configuration, you have to add the codes for the blank door EUPC (see page 133) and the codes for the roof/bottom EUTF (see page 133).

**SLIDING SHELF WTRS000600**

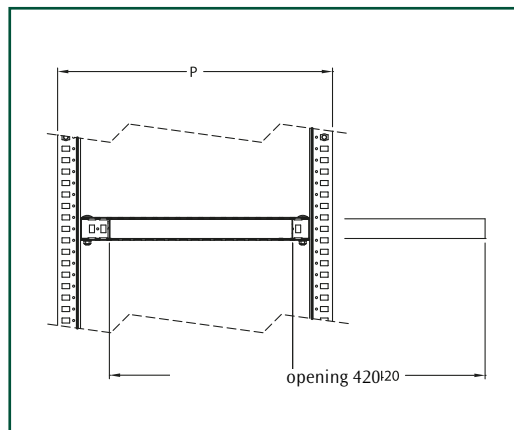
**CHARACTERISTICS**

Manufactured from 1.5 mm thick sheet steel. Maximum capacity 50 kgs.

**SUPPLY**

Single piece with sliding rails.

**Note:** mounting profiles WTPR (2 pieces for each package) and mounting kit WTSF-001CP to be ordered separately.



**MOUNTING PROFILES FOR WTRS**

WTPR CODE	CABINET DEPTH
WTPR-050040CP	400
WTPR-050050CP	500
WTPR-050060CP	600
WTPR-050080CP	800

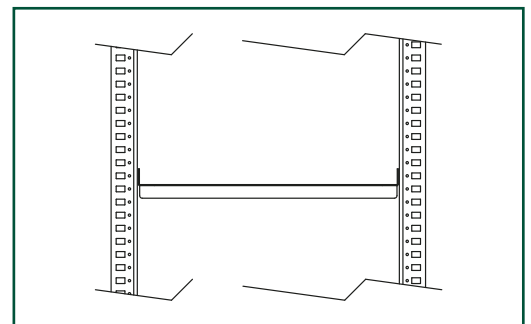
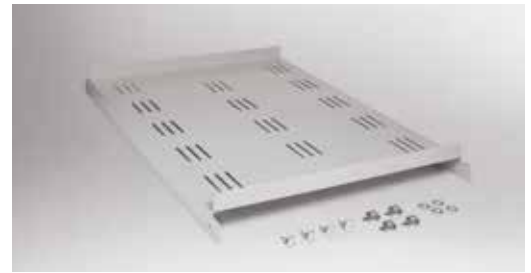
**FIXED SHELF WTRP**

**CHARACTERISTICS**

Manufactured from 2.0 mm thick sheet steel.

**SUPPLY**

Single piece with mounting accessories.



**FIXED SHELF**

WTRP CODE	CABINET DEPTH
WTRP060050	500
WTRP060060	600
WTRP060080	800

PC

**MONITOR SUPPORT WTPU000600**

**CHARACTERISTICS**

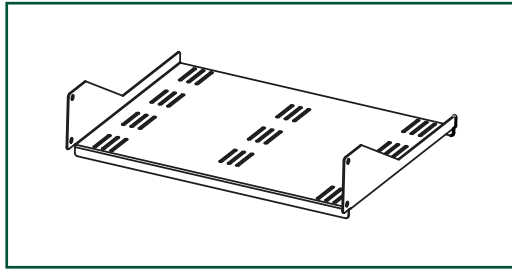
Manufactured from 1.5 mm thick sheet steel.

**PAINT FINISH**

Colour: RAL 7035 textured finish.

**SUPPLY**

Support complete with mounting accessories.



**WHEEL WTRU-001**

High quality polyamide wheel. Load capacity 120 kgs for each wheel.

**SUPPLY**

Includes 4 pieces (2 wheels with brake, 2 rotating wheels).



PC





Rack 19"

**E NUX RACK 19" AND NETWORKING SOLUTIONS**

**FEATURES AND BENEFITS**

In full respect of the sustainability and compatibility philosophy, the system of suite cabinets E NUX can be integrated with a range of specific accessories for each solution.

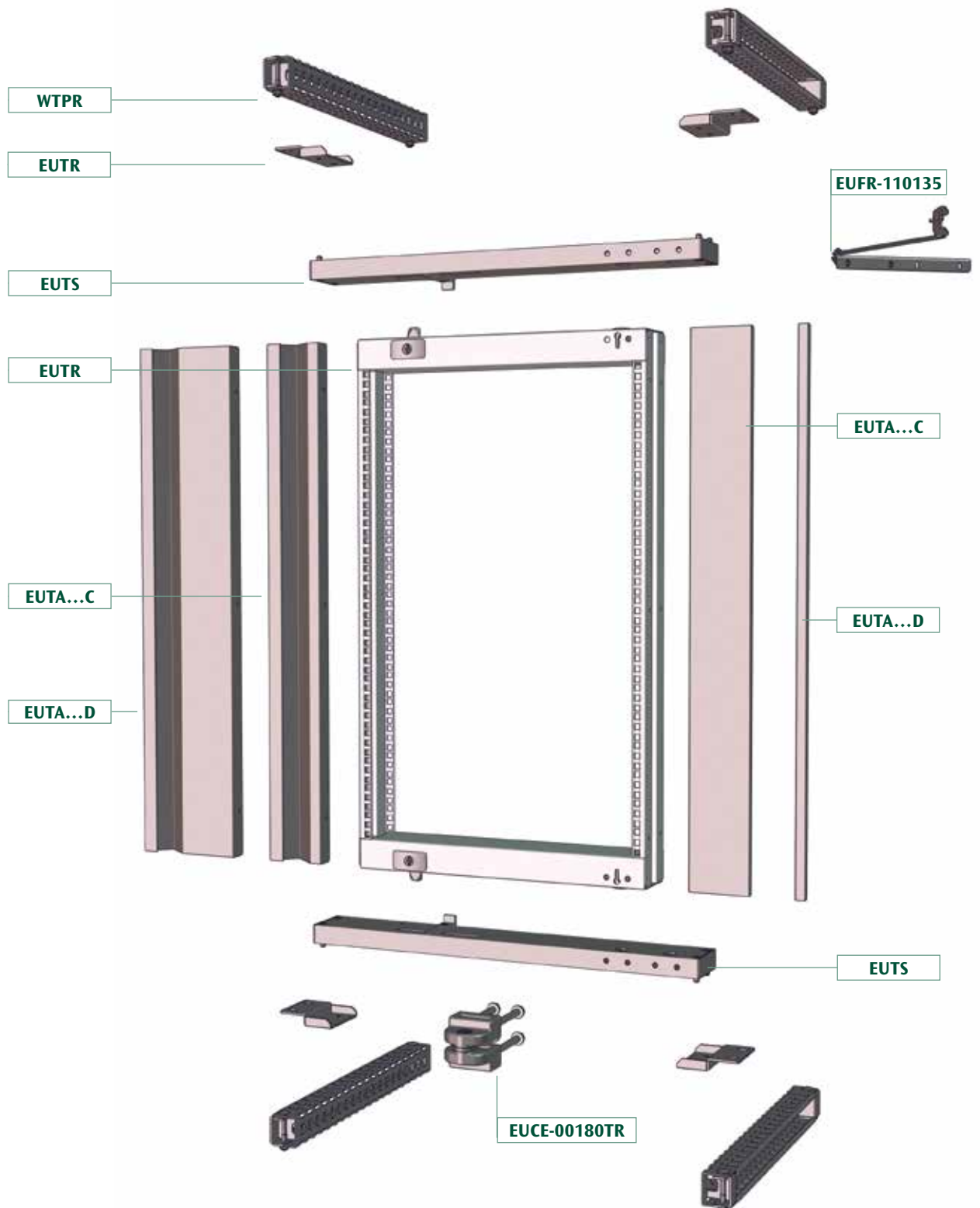
In certain applications, the wide range of 19" components, totally compatible with E NUX, represents the necessary completion of the cabinets:

- full or partial height 19" rack frames with new modular concept
  - 19" rack uprights
  - rack frames
  - fixed or removable shelves
  - solid or punched 19" rack panels
  - accessories for ventilation
  - PDU and further accessories
- Rack boxes available.



**EFFECTIVE, EASY-TO-INSTALL, STRONG**

An innovative system consisting in a new frame, two horizontal rails and trim panels supplied according to the selected assembly: a modular concept to grant flexibility and a wide range of options.



Rack 19"

- Higher structural stiffness

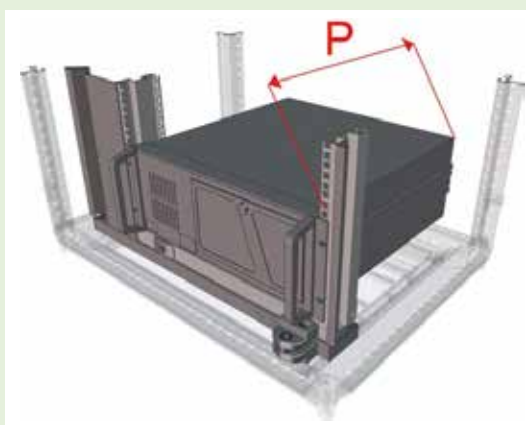
HINGES	LOAD CAPACITY (*)
110°	1700 N
180°	1400 N

\* Load capacity for single cabinet. For cabinets joined in a suite, the load capacity can be increased by 60%

- Higher resistance to dynamic stress
- Easy to assemble
- No adjustments needed

- Deeper equipment can be installed

KIND OF RACK FRAME		MAX DEPTH OF THE EQUIPMENT 19"mm	
		W=600	W=800
CENTERED	110°	185	370
NOT CENTERED	180°	-	300
CENTERED	110°	-	485
NOT CENTERED	180°	-	415



- New rotating system thanks to the new interchangeable 110° and 180° hinges
- 110° available for W=800mm too
- Partial frames with standard WTPR rails
- Solutions for special applications available (i.e. W=1200mm)
- It can be assembled with dividing panels and EU-KU-003 reinforcing brackets
- New rack stop options (90°, 110°, 135°) for top/bottom assembly

Rack 19"

**STEP 1**      **Select HE and corresponding rack frame**

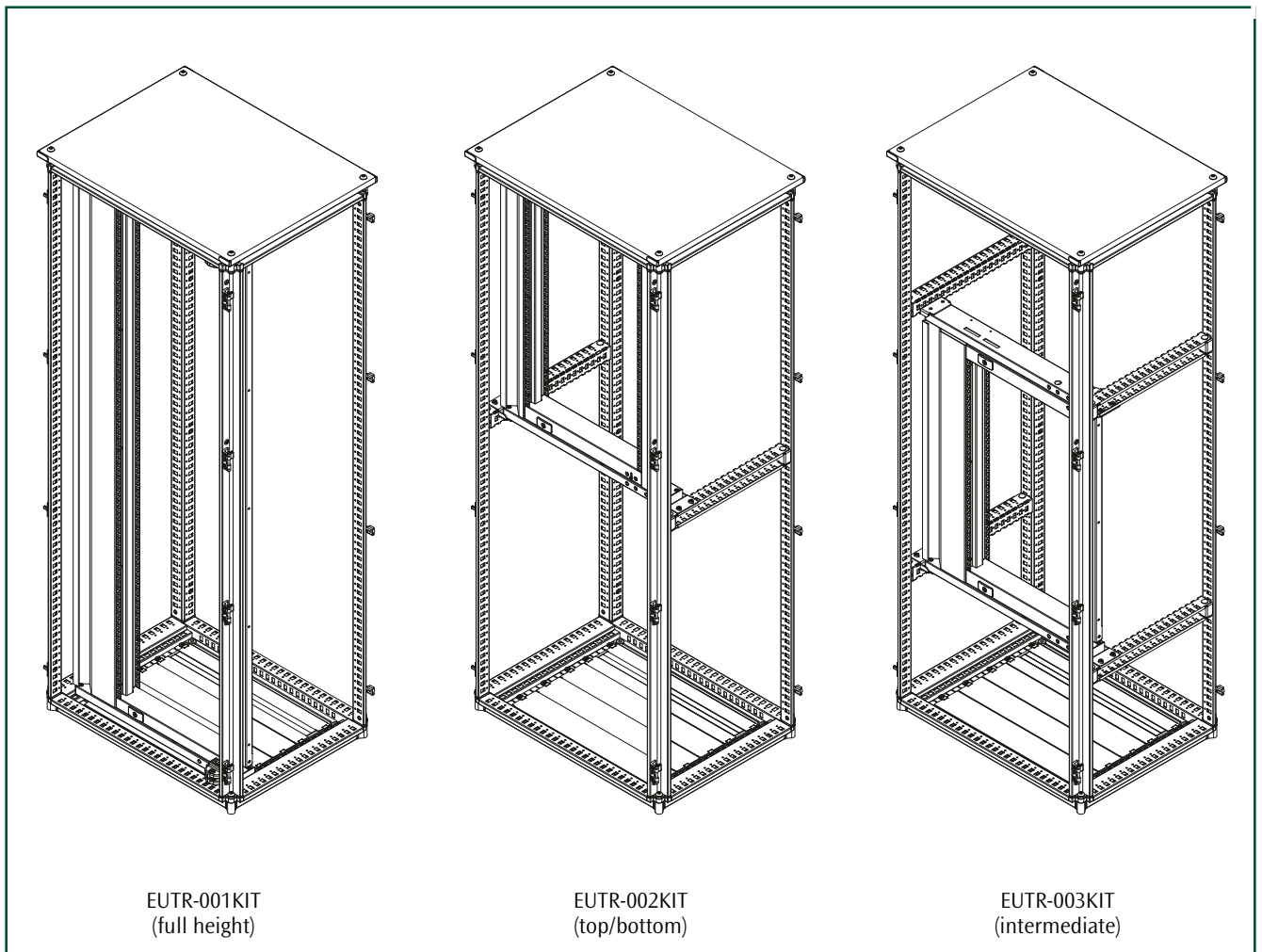
**STEP 2**      **Choose the cabinet width and complete the frame with horizontal rails**

**STEP 3**      **Select the position (centered or not) corresponding to the cabinet height and add the side trim panels**

**STEP 4**      **Choose the assembly (full height, top/bottom, intermediate) and complete with the corresponding mounting kit**

**STEP 5**      **Complete the configuration with further accessories**

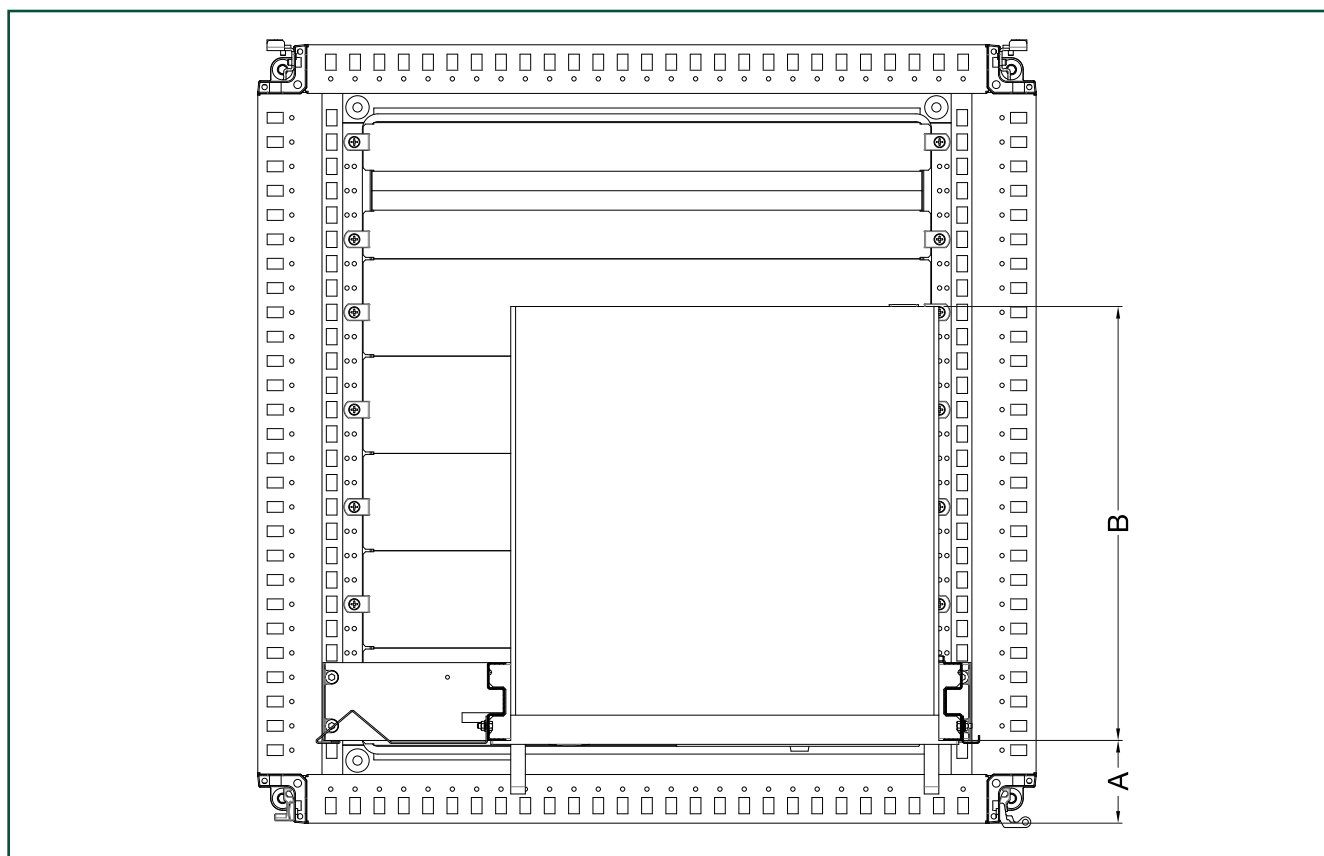
Rack 19"



H CABINET	H FRAME	HE	RACK FRAME CODE			
400	255	4	EUTR0004			
600	455	8	EUTR0008			
800	655	13	EUTR0013			
1000	855	17	EUTR0017			
1200	1055	22	EUTR0022			
1400	1255	26	EUTR0026			
1600	1455	31	EUTR0031			
1800	1655	35	EUTR0035			
2000	1855	40	EUTR0040			
2200	2055	44	EUTR0044			
CABINET WIDTH (mm)		600	800			
Horizontal fixing rails		EUTS00600	EUTS00800			
POSITION		Centered	Centered	Not centered		
Side trim panels		Not needed	EUTA...C	EUTA...D		
ASSEMBLY						
Full height		EUTR-001KIT				
Top/bottom		EUTR-002KIT + Nr. 1 x WTPR-.....CP according to cabinet depth + WTSF-001CP				
Intermediate		EUTR-003KIT + Nr. 1 x WTPR-..... according to cabinet depth + WTSF-001				
HINGES		110°	110°	180°	110°	180°
Code		-	-	EUCE-00180TR	-	EUCE-00180TR
A min. mm		85	85	85	85	85
B max. mm		185	370	300	485	415
LOADING CAPACITY N (*)		1700	1700	1400	1700	1400
FURTHER ACCESSORIES Rack-stop 110°/135° EUFR-110135						

Rack 19"

(\*) For cabinets joined in a suite, the loading capacity can be increased by 60%



## STEP 1

Select HE and corresponding rack frame

### SWINGING RACK FRAME EUTR

#### CHARACTERISTICS

Rack frame manufactured from welded mild steel rails and horizontal profiles.

#### PAINT FINISH

ETA standard epoxy polyester powder coating. Colour: RAL 7035 textured finish.

#### SUPPLY

- rack frame complete with Ø 3mm double bar locking system
- 110° rotating hinges complete with accessories
- closing latches

SWINGING RACK FRAME		
EUTR CODE	HE	CABINET HEIGHT
EUTR0004	4	400
EUTR0008	8	600
EUTR0013	13	800
EUTR0017	17	1000
EUTR0022	22	1200
EUTR0026	26	1400
EUTR0031	31	1600
EUTR0035	35	1800
EUTR0040	40	2000
EUTR0044	44	2200

**Note:** rack frame 110° opening. For 180° opening, please add hinges EUCE-00180TR

**Note:** for special painted cabinets, please add N to the code (i.e. EUTR004N).

## STEP 2

Choose the cabinet width and complete the frame with horizontal rails

Rack 19"

### HORIZONTAL FIXING RAILS FOR RACK FRAME EUTS

#### CHARACTERISTICS

Horizontal fixing rails manufactured from sheet steel.

#### PAINT FINISH

ETA standard epoxy polyester powder coating. Colour: RAL 7035 textured finish.

#### SUPPLY

Includes nr. 2 pieces with mounting accessories.

HORIZONTAL FIXING RAILS	
EUTS CODE	CABINET WIDTH
EUTS000600	600
EUTS000800	800

**Note:** further dimensions available on request. I.e. for cabinet W=1200, you can order rack frame W=600+600 or rack frame W=800 not centered.

**Note:** for special painted cabinets, please add N to the code (i.e. EUTS000600N).

## STEP 3

Select the position (centered or not) corresponding to the cabinet height and add the side trim panels

### SIDE TRIM PANEL FOR RACK FRAME EUTA

#### CHARACTERISTICS

Side trim panels (one for hinge side and one for locking system side) manufactured from sheet steel. Valid for W=800mm.

#### PAINT FINISH

ETA standard epoxy polyester powder coating. Colour: RAL 7035 textured finish.

#### SUPPLY

Includes nr. 2 pieces with mounting accessories.

SIDE TRIM PANELS		
EUTA CODE	POSITION	CABINET HEIGHT
EUTA0004C	CENTERED	400
EUTA0008C	CENTERED	600
EUTA0013C	CENTERED	800
EUTA0017C	CENTERED	1000
EUTA0022C	CENTERED	1200
EUTA0026C	CENTERED	1400
EUTA0031C	CENTERED	1600
EUTA0035C	CENTERED	1800
EUTA0040C	CENTERED	2000
EUTA0044C	CENTERED	2200
EUTA0004D	NOT CENTERED	400
EUTA0008D	NOT CENTERED	600
EUTA0013D	NOT CENTERED	800
EUTA0017D	NOT CENTERED	1000
EUTA0022D	NOT CENTERED	1200
EUTA0026D	NOT CENTERED	1400
EUTA0031D	NOT CENTERED	1600
EUTA0035D	NOT CENTERED	1800
EUTA0040D	NOT CENTERED	2000
EUTA0044D	NOT CENTERED	2200

## STEP 4

Choose the assembly (full height, top/bottom, intermediate) and complete with the corresponding mounting kit

### MOUNTING KIT FOR RACK FRAME EUTR

#### CHARACTERISTICS

Different mounting kit according to the selected position of rack frame (top/bottom or intermediate position).

#### SUPPLY

Includes nr. 2 brackets, nr. 2 supports and closing latches complete with mounting accessories.

### MOUNTING KIT FOR RACK FRAME

CODE	ASSEMBLY	ADDITIONAL ACCESSORIES
EUTR-001KIT	FULL HEIGHT	----
EUTR-002KIT	TOP / BOTTOM	Nr. 1 x WTPR-.....CP according to cabinet depth + WTSF-001CP
EUTR-003KIT	INTERMEDIATE	Nr. 1 x WTPR-..... according to cabinet depth + WTSF-001

**Note:** for special painted cabinets, please add N to the code (i.e. EUTR-...KITN).

## STEP 5

Complete the configuration with further accessories

### 180° HINGES EUCE-00180TR

180° opening hinges for rack frames EUTR.

#### CHARACTERISTICS

Manufactured from pressed zama.

#### SUPPLY

Includes nr. 2 pieces.

**Note:** for hinges in RAL9011 for special painted cabinets, please add N to the code (i.e. EUCE-00180TRN).



Rack 19"

### FIXED FRAME EUCR

#### CHARACTERISTICS

Manufactured from sheet steel. To be used to mount rack equipment.

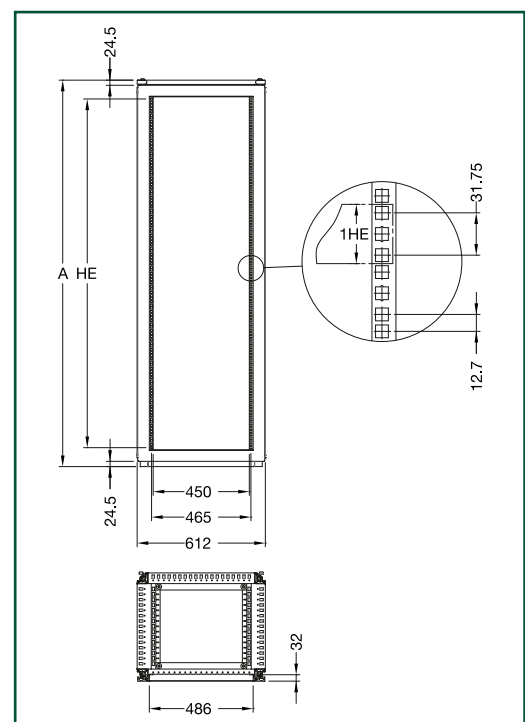
#### PAINT FINISH

ETA standard epoxy polyester powder coating. Colour: RAL 7035 textured finish.

#### SUPPLY

Includes 1 piece complete with cabinet uprights and mounting accessories.

FIXED FRAME			
EUCR CODE	DIMENSIONS		
	A	H	HE
EUCR028060	1409	1252	28
EUCR032060	1609	1429	32
EUCR037060	1809	1652	37
EUCR041060	2009	1829	41
EUCR046060	2209	2052	46





### 19" RAILS AEMK

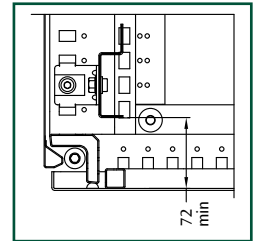
Designed for assembling 19" items or modular equipment on DIN rails.

#### CHARACTERISTICS

Manufactured from zinc sheet steel.

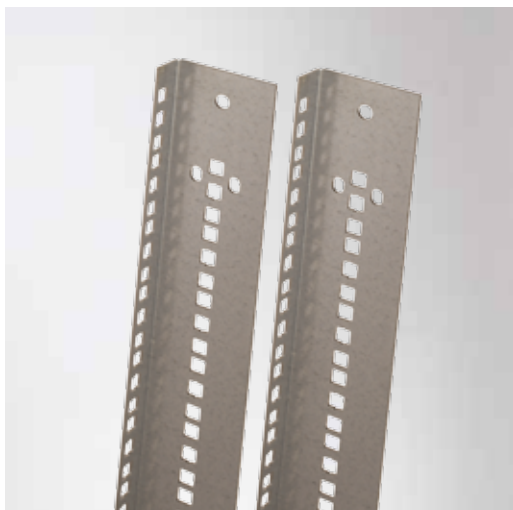
#### SUPPLY

Includes nr. 2 pieces.



19" RAILS"	
AEMK CODE	HE
AEMK241200	24
AEMK291400	29
AEMK331600	33
AEMK381800	38
AEMK422000	42
AEMK472200	47

Rack 19"



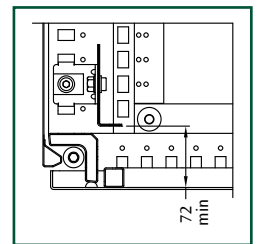
### "L" RAILS AERL

#### CHARACTERISTICS

Manufactured from zinc sheet steel.

#### SUPPLY

Includes nr. 2 pieces.



"L" RAILS AERL	
AERL CODE	CABINET HEIGHT
AERL241200	24
AERL291400	29
AERL331600	33
AERL381800	38
AERL422000	42
AERL472200	47



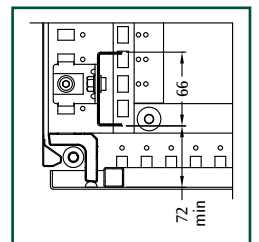
### "C" RAILS AERC

#### CHARACTERISTICS

Manufactured from zinc sheet steel.

#### SUPPLY

Includes nr. 2 pieces.



"C" RAIL AERC		
AERC CODE	CABINET HEIGHT	HE
AERC241200	1200	24
AERC291400	1400	29
AERC331600	1600	33
AERC381800	1800	38
AERC422000	2000	42
AERC472200	2200	47



### DEPTH RAILS

Rails for the mounting of 19" rack uprights on E NUX cabinets W=800mm. Manufactured from sendzimir sheet steel.

#### SUPPLY

Includes nr. 4 pieces

DEPTH RAILS	
AEP CODE	DEPTH
AEP0094	600
AEP0095	800
AEP0096	1000
AEP0097	1200



### BRACKETS AEP0070

Brackets manufactured from zinc sheet steel, used for the mounting of 19" uprights on cabinets W=600mm.

#### SUPPLY

Includes nr. 4 pieces.

Rack 19"



### WIDTH RAILS AEP0098

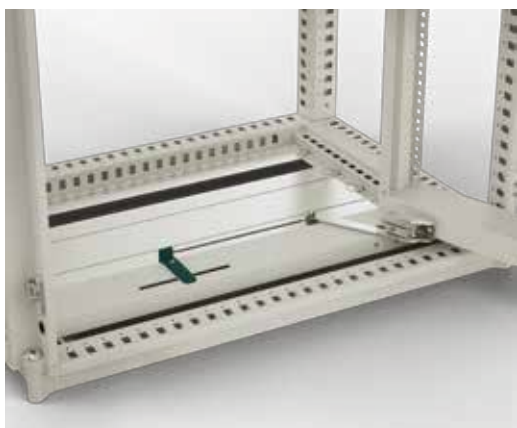
Rails for the mounting of 19" rack uprights (AEMK, AERL, AERC) on E MOX and E VIS cabinets with W=800mm. Manufactured from sendzimir sheet steel.

#### SUPPLY

Includes nr. 2 pieces.

**Note:** to be ordered separately AEP0070 (nr. 4 pieces) for the assembly of 19" rack rails.

WIDTH RAILS	
AEP CODE	WIDTH
AEP0098	800



### FRAME STOP EUFR-110135

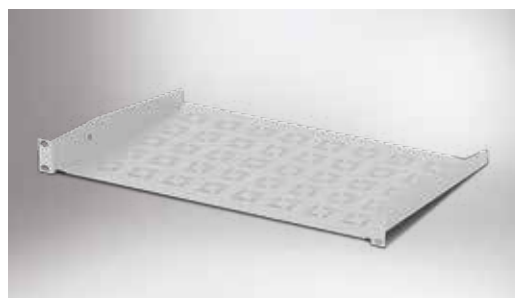
It allows the stop of the rack frame at 110°/135° avoiding its accidental closing. To be assembled on top or bottom.

#### SUPPLY

Includes 1 piece with mounting accessories.

**Note:** Max loading capacity: 230kg.





Available  
BLACK RAL 9011

### SHELF FOR FRONTAL FIXING EURI

In addition to the front fixation, this shelf is locked with two other points on the inner side of the 19" profile/rail, to increase the load carrying capacity and the stability.  
Shelf (2 HE) with ventilation openings.  
Maximum load carrying capacity: 30 kgs.

#### CHARACTERISTICS

Manufactured from press bent sheet steel.

#### PAINT FINISH

ETA standard epoxy polyester powder coating.  
Colour: RAL 7035 textured finish.

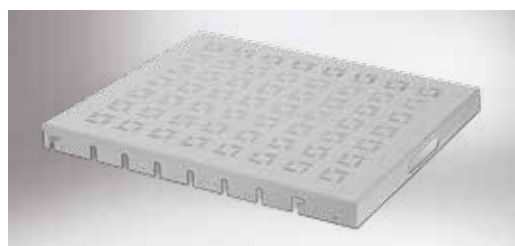
#### SUPPLY

Includes 1 painted piece with mounting accessories.

### SHELF FOR FRONTAL FIXING

EURI CODE	SHELF DEPTH
EURI020300	300
EURI020400	400
EURI020500	500
EURI020600	600

Rack 19"



Available  
BLACK RAL 9011

### FIXED OR SLIDING SHELF EURI

Shelf W=400mm with ventilation openings manufactured from sheet steel with fixation on four 19" profiles.  
Fixed shelf: load carrying capacity 70 kgs.  
Sliding shelf: load carrying capacity 40 kgs.

#### PAINT FINISH

ETA standard epoxy polyester powder coating.  
Colour: RAL 7035 textured finish.

#### SUPPLY

Includes 1 piece.

**Note:** to be ordered separately: sliding guides or, if the shelf is fixed, kit ELRP-001 (package of accessories for fixed installation).

### FIXED OR SLIDING SHELF

EURI CODE	SHELF DEPTH	CABINET DEPTH
EURI000365	365	600
EURI000465	465	600
EURI000565	565	800
EURI000665	665	800
EURI000765	765	1000



### SLIDING GUIDES FOR SHELF WTGE

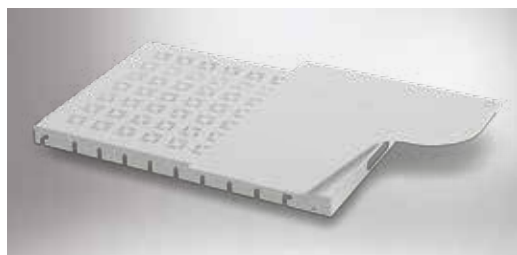
Guides designed for the fixation of the shelf EURI.  
Load carrying capacity 40 kgs.

#### SUPPLY

Includes 2 pieces with fixing accessories (to the cabinet) and mounting accessories of the shelf.

### SLIDING GUIDES FOR SHELF

WTGE CODE	SHELF DEPTH	CABINET DEPTH
WTGE-000365	365	600
WTGE-000465	465	600
WTGE-000565	565	800
WTGE-000665	665	800
WTGE-000765	765	1000



Available  
BLACK RAL 9011

### EXTRACTABLE SHELF EURI000500SM

Rotary support to be fixed on an extractable shelf, allowing to attach and extract any keyboard inside the 19" structure, with mouse area.

#### CHARACTERISTICS

Manufactured from press bent sheet steel.

#### PAINT FINISH

ETA standard epoxy polyester powder coating.  
Colour: RAL 7035 textured finish.

#### SUPPLY

Includes 1 piece complete with mounting accessories.



Available  
BLACK RAL 9011



Available  
BLACK RAL 9011



Available  
BLACK RAL 9011

### BLANK CLOSING TRIM PANELS

Used to divide the cold and hot airflow inside the cabinet.

#### BLANK CLOSING PANELS

CODE SCREWED VERSION EUP	CODE HINGED VERSION EUP	HE
EUP0080	EUP0130	24
EUP0081	EUP0131	29
EUP0082	EUP0132	33
EUP0083	EUP0133	38
EUP0084	EUP0134	42
EUP0085	EUP0135	47

Rack 19"

### MULTI-FUNCTION CLOSING PANELS

Multi-functions panels to be completed with the 19" panels available.

### CLOSING PANELS WITH CABLE GUIDE RINGS

Panels for cable management already supplied with cable rings.

#### CLOSING PANELS

CODE MULTI-FUNCTION EUP	CODE WITH GUIDE RINGS EUP	HE
EUP0090	EUP0140	24
EUP0091	EUP0141	29
EUP0092	EUP0142	33
EUP0093	EUP0143	38
EUP0094	EUP0144	42
EUP0095	EUP0145	47

#### PAINT FINISH

All closing panels are supplied according to ETA standard polyester powder coating.  
Colour: RAL 7035 textured finish.

#### SUPPLY

Includes nr. 2 pieces, for cabinets W=800mm.

### 19" PANELS

Manufactured from satinized aluminium or from sheet steel painted in RAL 7035 textured finish.

#### SUPPLY

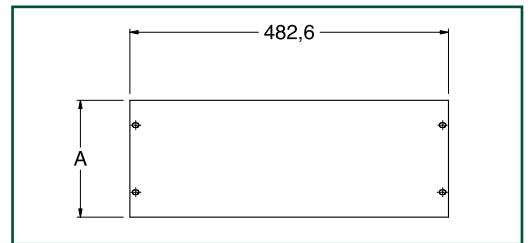
Includes 1 piece.

**Note:** to be ordered separately WT106 and WA107.



Available  
BLACK RAL 9011

RACK PANEL			
ALLUMINIUM	PAINTED		
WA CODE	WA CODE	HE	A
WA115	WA115LB	1	43,5
WA116	WA116LB	2	88
WA117	WA117LB	3	132,5
WA118	WA118LB	4	177
WA119	WA119LB	5	221,5
WA120	WA120LB	6	266
WA121	WA121LB	7	310,5
WA122	WA122LB	8	355
WA123	WA123LB	9	399,5
WA124	WA124LB	10	444
WA125	WA125LB	11	488,5
WA126	WA126LB	12	533



Rack 19"

### 19" FRONT PANEL WITH OPENING WTPF030024

Designed to lodge equipment fixed on DIN rails. Front panel with modular slot that allows to lodge 24 modules, 18mm in width and 3 units in height.

#### CHARACTERISTICS

Manufactured from press bent sheet steel.

#### PAINT FINISH

ETA standard epoxy polyester powder coating. Colour: RAL 7035 textured finish.

#### SUPPLY

Includes 1 piece with mounting accessories.



Available  
BLACK RAL 9011

### DIN PROFILE FOR PANEL

Designed for the fixing on 19" rails or swinging rack frame.

#### CHARACTERISTICS

Manufactured from zinc sheet steel.

#### SUPPLY

Includes 1 piece with mounting accessories.



DIN PROFILE FOR PANEL	
CODE	MOUNTING
EUWA-001	19" rail
EUWA-002	Swinging rack frame

**SUPPORT BRACKETS WA990B**

To be assembled on rack frames or “C” rails.

**CHARACTERISTICS**

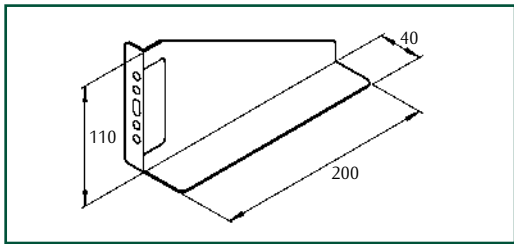
Manufactured from press bent sheet steel.

**PAINT FINISH**

ETA standard epoxy polyester powder coating.  
Colour: RAL 7035 textured finish.

**SUPPLY**

Includes 2 painted pieces with mounting accessories.



**PARTIAL SUPPORT WTSP020200**

Designed to support 19” equipment. Compatible with ETA range of rack frames and uprights.

**CHARACTERISTICS**

Manufactured from 1.2 mm thick press bent sheet steel.

**SUPPLY**

Includes 2 painted pieces with mounting accessories.



**SUPPORTING GUIDES EUSA**

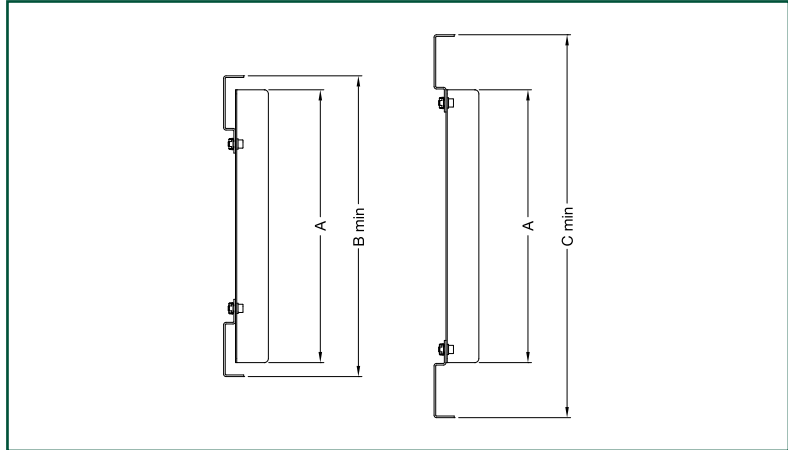
For mounting on EUMK uprights (4pcs).

**CHARACTERISTICS**

Manufactured from bent sheet steel.

**SUPPLY**

Includes 2 pieces, with mounting accessories.



SUPPORTING GUIDES					
CODE	A	MIN		MAX	
		B	Cabinet Min D	C	Cabinet Min D
AEP0150	232	266	400	366	500
AEP0151	332	366	500	466	600
AEP0152	532	566	800	666	800
AEP0153	732	766	1000	866	1000
AEP0154	932	966	1200	1066	1200

Rack 19”

**FLEXIBLE COPPER BRAIDS MDCO-TR250**

**CHARACTERISTICS**

For M6 and M8 screws, 250mm long.

**SUPPLY**

Includes 10 pieces.

**EARTHING COPPER BAR AEP0120**

Equipotential copper bar for ground connectors (with isolators) that can be installed along the depth or the width of the cabinet. Manufactured from 20x5mm copper bars, with M6 threaded holes.

**EARTHING COPPER BAR FOR EQUIPOTENTIAL MEASURES MDSD-CU6X6**

Equipotential copper bars for ground connection that can be installed along the depth or the width of the E NUX cabinets.

**CHARACTERISTICS**

Manufactured from 6x6 copper bar.

**SUPPLY**

Includes 1 piece L=2mt.



### CABLE-ENTRY BRUSH

To be used for an orderly cable entry with dust protection. Special accessory for the cabinet roof. Special application for cable entry plates ( to be customized).

#### SUPPLY

Includes 1 piece (length to be determined when ordering).

#### CABLE-ENTRY BRUSH

AEP CODE	DIMENSIONS (MM)
AEP0100	600
AEP0101	800



### CABLE ENTRY PANEL WITH BRUSH

#### CHARACTERISTICS

Panel manufactured from bent sheet steel.

#### SUPPLY

Includes 1 painted piece with mounting accessories.

#### CABLE ENTRY PANEL WITH BRUSH

AEP CODE	HE
AEP0040	1
AEP0041	2



### PANEL FOR CABLE GUIDE RINGS

#### CHARACTERISTICS

Manufactured from press bent sheet steel, designed for 5 cable rings.

#### SUPPLY

Includes 1 painted piece with mounting accessories

#### PANEL FOR CABLE GUIDE RINGS

CODE	HE	MATERIAL
AEP0030	1	MILD STEEL

Rack 19"



### CABLE GUIDE RINGS WTGC

#### CHARACTERISTICS

Manufactured from sheet steel painted in RAL9011, with slots on each side, to allow the installation in every positions.

#### SUPPLY

Includes 10 pieces.

#### CABLE GUIDE RINGS

WTGC COE	RING DIMENSIONS (MM)
WTGC-042042	42 x 42
WTGC-042080	42 x 80
WTGC-068096	68 x 96
WTGC-096160	96 x 160



### VENTILATION CROSSPIECE FOR EUZE PLINTH

#### CHARACTERISTICS

Manufactured from press bent sheet steel.

#### PAINTING

ETA standard epoxy polyester powder coating. Colour: RAL 5020 textured finish.

#### SUPPLY

Includes 2 pieces.

#### VENT. CROSSPIECE FOR EUZE PLINTH

EUZE CODE	CABINET WIDTH
EUZE-T0600V	600
EUZE-T0800V	800



### VENTILATION DRAWER WTDV010500

Designed to incorporate up to 6 fans, to be assembled on 1HE rack (frontal fixing). Drawer depth=300mm.

#### CHARACTERISTICS

Manufactured from press bent sheet steel.

#### SUPPLY

Includes 1 painted piece (without fans).

Available  
BLACK RAL 9011



### AXIAL FAN – AEP0249

Suitable for ventilation drawer WTDV010500.  
Supplied with grid and cable.  
Dimensions 120x120x38mm  
Flow: 97/117 CFM

#### SUPPLY

Includes 1 piece

### LOW-NOISE FAN – AEP0250

Suitable for ventilation drawer WTDV010500.  
Supplied with grid and cable.  
Dimensions: 120x120x38mm  
Flow: 72/78CFM  
Noise level: 37/39dB(A)

#### SUPPLY

Includes 1 piece

Rack 19"



### VENTILATED DOOR EUPO

Designed to increase heat exchange for the equipment mounted inside the enclosure.

#### CHARACTERISTICS

Manufactured from sheet steel, with holes for ventilation and Ø 3mm lever-operated double bar locking system.

#### PAINTING

ETA standard epoxy polyester powder coating.  
Colour: RAL 7035 textured finish.

#### PROTECTION RATING

IP2X

#### SUPPLY

Door complete with 2 structural uprights and mounting accessories.

### VENTILATED DOOR

EUPO CODE	CABINET DIMENSIONS	
	WIDTH	HEIGHT
EUP0060200AV	600	2000
EUP0080200AV	800	2000



### ROOF VENTILATION SPACERS WLDI-001

#### CHARACTERISTICS

Hexagonal pin with M12 threaded hole. 40mm height.

#### SUPPLY

Includes 4 pieces.



### SCREWS AND CAGE BOLTS WA108

#### CHARACTERISTICS

M6x16 screws with flat countersunk head, complete with under screw edge.



#### SUPPLY

Includes 20 screws and 20 cage bolts.

## COMPLETE RANGE OF PDU

### 19" PDU E PDU VERTICALI

- Strong structure manufactured from aluminium.
- Output IEC320-C13 and IEC320-C19.
- Protection, management and control devices protected by wrong operations.
- Temperature limit up to 60°C.
- Paint finish: epoxy-polyester powder coating. Colour: RAL 9004.

Available on request:

- Output according to different markets.
- Different cables and input.



### 19" PDU

- Height 1 HE.
- Depth-adjustable 19" fixing brackets.
- To be mounted on 19" profiles or on cabinet structure
- Multistandard output (Schuko + Italian 10/16Amp) with angle 45°
- Cable L=3mt H05VV-F3Gcx1, 5mm<sup>2</sup>.

### VERTICAL PDU

- Vertical mounting.
- 1-phase or 3-phase up to 16/32Amp.
- Cable 1-phase or 3-phase L=5mt H05VV with output IEC60309.



Rack 19"

## COMPLETE RANGE OF PDU

DESCRIPTION	PRODUCT CODE	OUTPUT		A	WATT OR INPUT	TECHNICAL FEATURES	L(mm)
		Q.TY	DESCRIPTION				
19" PDU	AEP0520	9	multistandard	16	3500	-	-
	AEP0521	8	multistandard	16	3500	switch indicator lamp	-
	AEP0522	6	multistandard	16	3500	thermal magnetic switch lamp BIP16A	-
	AEP0523	13	multistandard	16	3500	-	-
	AEP0524	13	multistandard	16	3500	switch indicator lamp	-
	AEP0525	12	multistandard	16	3500	thermal magnetic switch lamp BIP16A	-
	AEP0526	9	C13	10	2500	switch indicator lamp	-
	AEP0527	8	C19	16	3500	-	-
	AEP0528	8	multistandard	16	3500	ammeter	-
	AEP0529	8	C13	10	2500	ammeter	-
	AEP0530	8	C19	16	3500	ammeter	-
AEP0531	5	multistandard	16	3500	switch indicator lamp and multistandard pdu controlled with thermostat	-	
VERTICAL PDU	AEP0540	16	C13	16	1-phase 230 Vac	thermal magnetic switch lamp BIP16A + ammeter	1139
		6	C19				
	AEP0541	16	C13	32	1-phase 230 Vac	thermal magnetic switch lamp BIP16A + ammeter	1139
		6	C19				
	AEP0542	24	C13	32	1-phase 230 Vac	thermal magnetic switch lamp BIP16A + ammeter	1582
		9	C19				
	AEP0543	21	C13	32	1-phase 230 Vac	nr. 3 thermal magnetic switch lamp BIP32A + 1 switch indicator lamp + nr. 3 ammeter	1850
9		C19					
3		C19					





Rack 19"

**ETA HAS THE SOLUTION FOR YOU:** • cabling applications • server applications





The boxes cover a range from 6 to 21 HE and are available in 2 depths with a large cable entry. The locking system operating from the front of the box guarantees the sealing of the enclosure. The excellent appearance is achieved by external tempered glass and locking cover with eye-catching design.

#### CHARACTERISTICS

Three sections box manufactured from press bent sheet steel. Door manufactured from sheet steel with 4mm external tempered glass complete with closing system  $\varnothing$  3mm double bar key. Supply includes mounting plate manufactured from sendzimir sheet steel.

#### PAINT FINISH

ETA standard epoxy polyester powder coating.  
Colour: RAL 7035 textured finish.

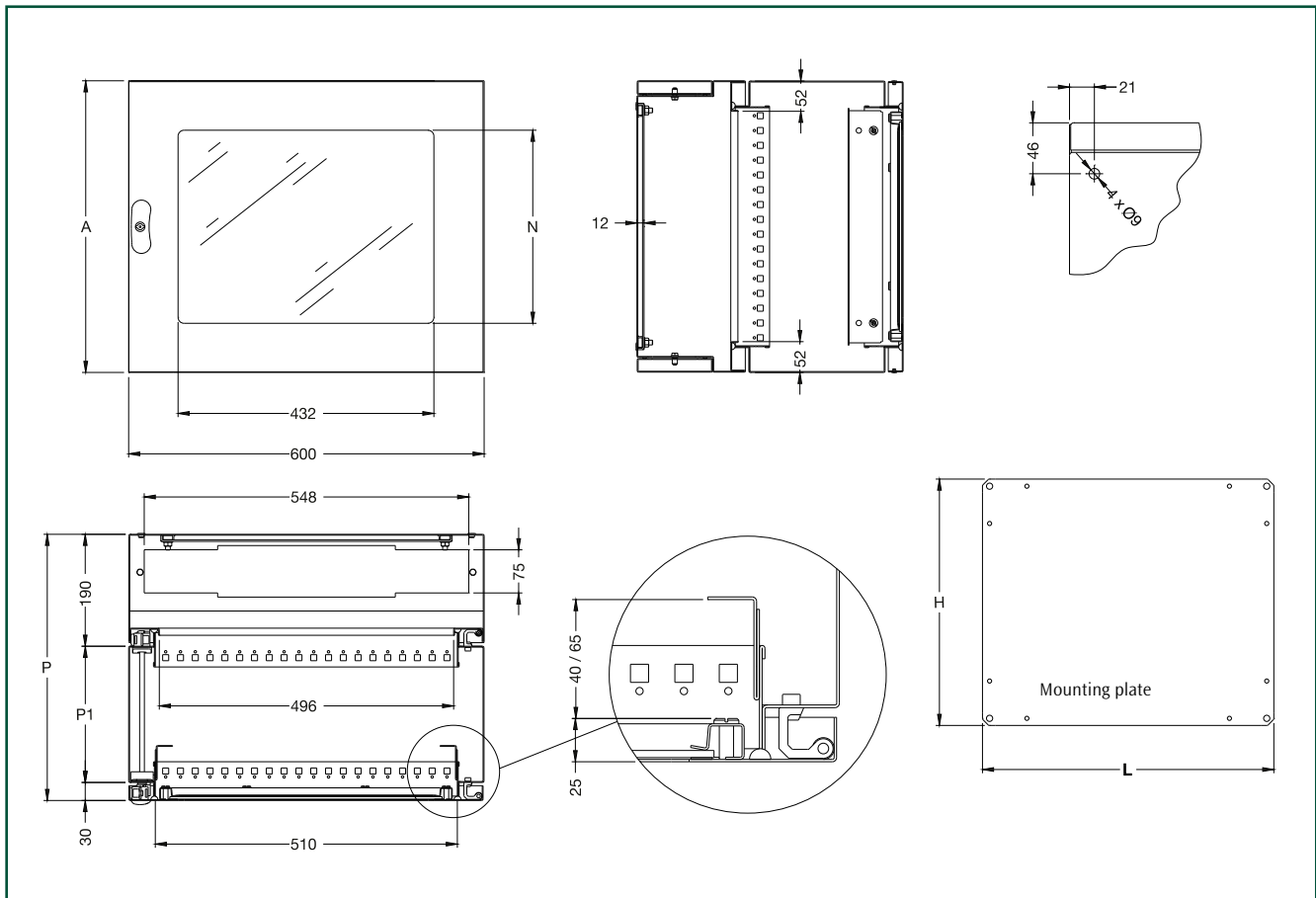
#### PROTECTION RATING

IP55

Rack 19"

### RACK BOXES

CR CODE	DIMENSIONS			MOUNTING PLATE		HE	N
	A	P	P1	L	H		
CR0645	359	450	230	492	283	6	193
CR0655	359	550	330	492	283	6	193
CR0945	492	450	230	492	416	9	326
CR0955	492	550	330	492	416	9	326
CR1245	626	450	230	492	550	12	460
CR1255	626	550	330	492	550	12	460
CR1545	759	450	230	492	683	15	593
CR1555	759	550	330	492	683	15	593
CR1845	892	450	230	492	816	18	726
CR1855	892	550	330	492	816	18	726
CR2145	1026	450	230	492	950	21	860
CR2155	1026	550	330	492	950	21	860



Rack 19"

**RACK FRAME STTR**

**CHARACTERISTICS**

Rack door and frame manufactured from sheet steel.  
Maximum depth of the equipment = 230mm

**PAINT FINISH**

ETA standard epoxy polyester powder coating.  
Colour: RAL 7035 textured finish.

**PROTECTION RATING**

- external: as box
- internal: IP20.

**SUPPLY**

- Includes:
- rack frame
  - rack door
  - ø 3mm double bar locking system
  - mounting accessories

**Note:** see General Catalogue for the complete range of wall-mounted boxes ST (with single blank or plexi door).



RACK FRAME					
STTR CODE	FRAME DIMENSIONS		HE	FOR BOXES	
	A	H		ST	STP
STTR1103	343	136	3	ST6430	STP6430
STTR1106	343	269	6	ST6430	STP6430
STTR1109	543	403	9	ST6630	STP6630
STTR1112	743	536	12	ST6830	STP6830
STTR1115	743	669	15	ST6830	STP6830



**BOXES**

**WALL-MOUNTING BOXES AND TERMINAL BOXES**

ST WALL-MOUNTING BOXES WITH BLANK DOOR  
STP WALL-MOUNTING BOXES WITH PLEXI DOOR  
ST/STP COMPLEMENTARY ACCESSORIES  
SDV TERMINAL BOXES WITH SCREWED COVER  
SDF TERMINAL BOXES WITH FLANGES  
SDVX TERMINAL BOXES WITH PLEXI COVER  
SDVX-B SYSTEM PLUS TERMINAL BOXES  
SDP TERMINAL BOXES WITH DOOR  
SD COMPLEMENTARY ACCESSORIES





Boxes

## ST and SD

## BOXES

### FEATURES

- 1 Wide range of dimensions: over 40 enclosures with plain door, 19 models with glazed door, enclosures with single plain door, double door with rod locking system and enclosure with single glazed door.
- 2 Mounting plate included.
- 3 Main accessories: plinth, internal door kit and modular chassis, wall-mounting brackets, door stop kit.
- 4 Optional accessories: micro perforated plates, louvered cable entry plates and pole mounting kit.
- 5 Terminal boxes in 5 different versions, with screwed cover, clear cover, for bus system, flanged, with hinged cover.
- 6 Rack enclosures from 3 to 21 units in 450 and 550 mm depths.
- 7 Protection rating for ST boxes: IP66 - Nema 4 (single blank door) Nema 12 (double blank door and plexi door) - IK10.
- 8 High quality epoxy-polyester powder finish. Colour RAL 7035.



**CHARACTERISTICS**

Enclosure and door manufactured from 1.5 mm thick sheet steel. Mounting plate manufactured from 2.5 mm thick sendzimir sheet steel.

**PAINT FINISH**

ETA standard epoxy polyester powder coating.  
Enclosure and door: colour RAL 7035 textured finish.

**SUPPLY**

- Box supplied with:
- door provided with locking system with  $\varnothing$  3mm double bar key and 2 zincpassivated rails to be fixed
  - mounting plate
  - cable entry plate with sealing gasket
  - screws for earth connection and mounting accessories.

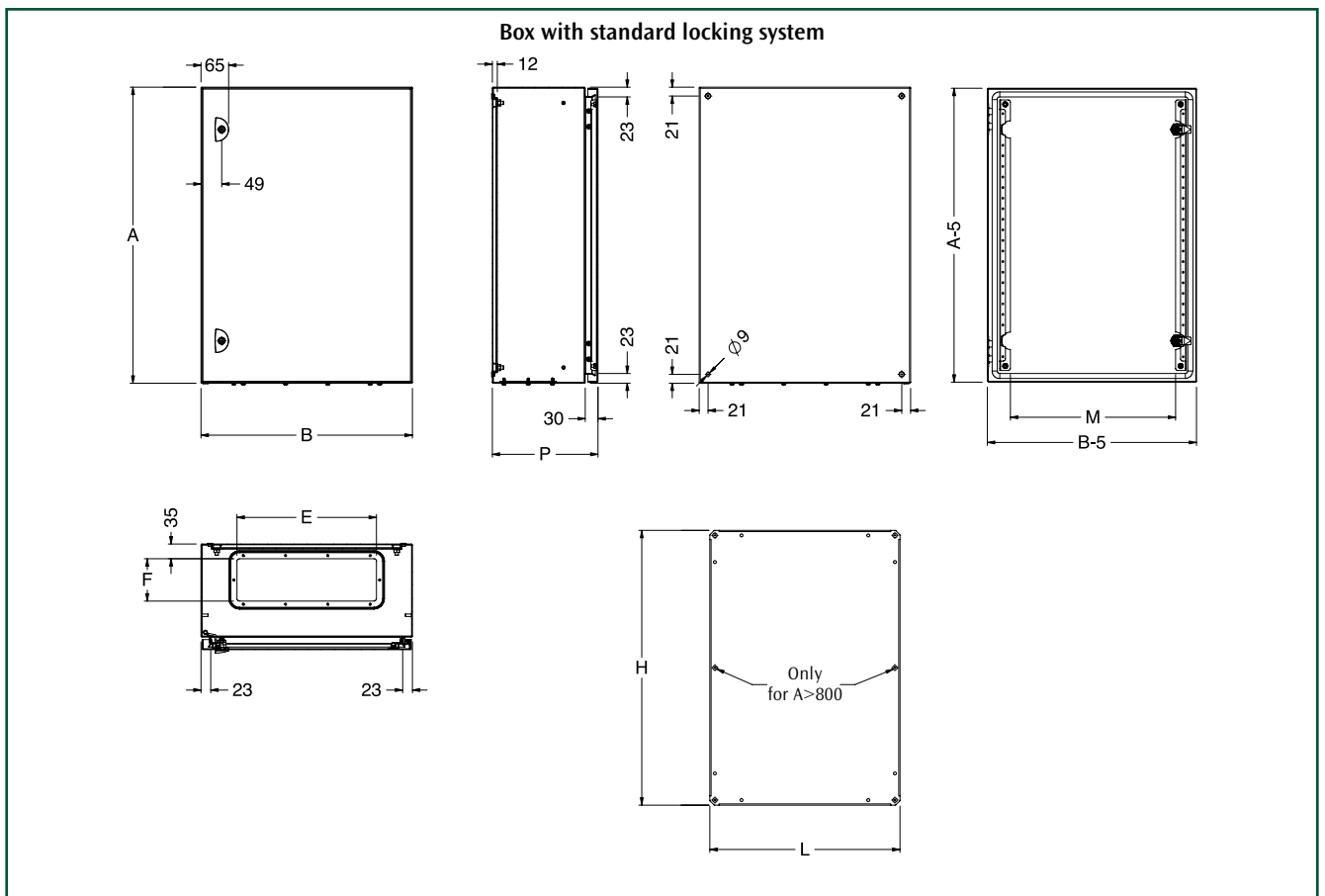
**PROTECTION RATING**

- IP66 complying with IEC EN62208; EN62262
- NEMA 4 complying with UL508A; UL50
- protection degree guaranteed by the two-component polyurethane foam seal
- impact resistance IK10 complying with IEC EN62208; EN62262.

**Note:** main accessories to be ordered separately:

- inner door, see page 168
- modular kit, see page 169
- brackets for wall mounting, see page 174.

Boxes





### SINGLE DOOR BOX

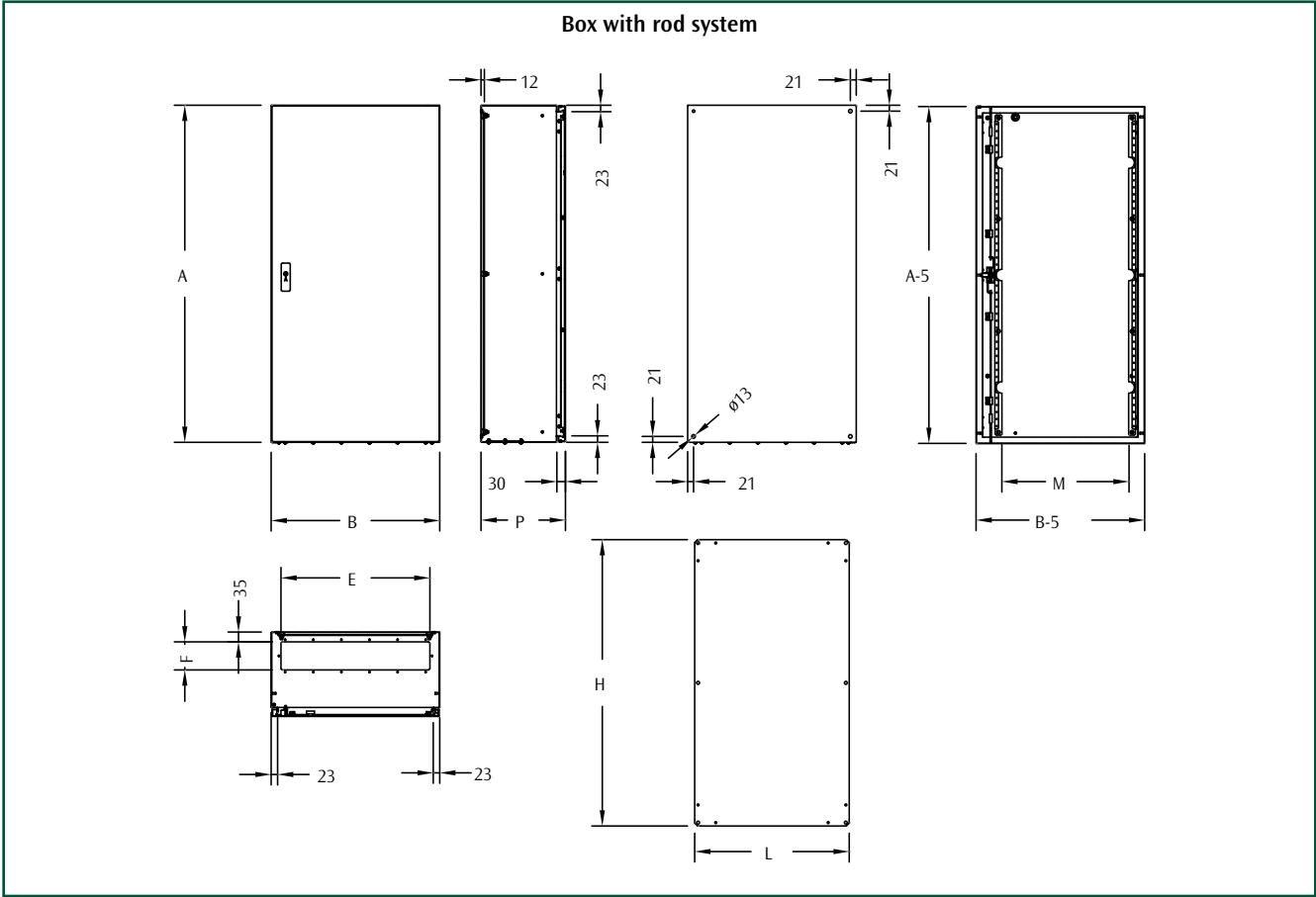
ST CODE	BOX DIMENSIONS			CABLE ENTRY		DOOR SPACE	MOUNTING PLATE DIM.		NUMBER OF LOCKS
	B	A	P	E	F	M	L	H	
<b>200</b>									
ST2315	200	300	150	130	50	91	150	250	1
<b>300</b>									
ST3315	300	300	150	230	50	191	250	250	1
ST3415	300	400	150	230	50	191	250	350	1
ST3420	300	400	200	230	100	191	250	350	1
ST3515	300	500	150	230	50	191	250	450	1
ST3520	300	500	200	230	100	191	250	450	1
<b>400</b>									
ST4315	400	300	150	230	50	291	350	250	1
ST4320	400	300	200	330	100	291	350	250	1
ST4420	400	400	200	330	100	291	350	350	1
ST4515	400	500	150	230	50	291	350	450	1
ST4520	400	500	200	330	100	291	350	450	1
ST4525	400	500	250	330	100	291	350	450	1
ST4620	400	600	200	330	100	291	350	550	2
ST4625	400	600	250	330	100	291	350	550	2
ST4640	400	600	400	330	100	291	350	550	2
<b>500</b>									
ST5520	500	500	200	330	100	391	450	450	1
ST5720	500	700	200	330	100	391	450	650	2
ST5725	500	700	250	330	100	391	450	650	2
<b>600</b>									
ST6420	600	400	200	530	100	491	550	350	1
ST6430	600	400	300	530	100	491	550	350	1
ST6620	600	600	200	530	100	491	550	550	2
ST6630	600	600	300	530	100	491	550	550	2
ST6640	600	600	400	530	100	491	550	550	2
ST6820	600	800	200	530	100	491	550	750	2
ST6825	600	800	250	530	100	491	550	750	2
ST6830	600	800	300	530	100	491	550	750	2
ST6840	600	800	400	530	100	491	550	750	2
ST61025	600	1000	250	530	100	491	550	950	2
ST61030	600	1000	300	530	100	491	550	950	2
ST61040	600	1000	400	530	100	491	550	950	2
<b>800</b>									
ST8830	800	800	300	530	100	691	750	750	2
ST8840	800	800	400	530	100	691	750	750	2
ST81030	800	1000	300	530	100	691	750	950	2
ST81040	800	1000	400	530	100	691	750	950	2

Boxes

Electrical enclosures complying with the European Directive 2014/34/UE and classified for category II and zones 1,2,21,22 for gas and dust (2GD) with protection method Ex e; tb (see pages 222 and 223) are available.







Boxes

<b>SINGLE DOOR BOX</b>									
ST CODE	BOX DIMENSIONS			CABLE ENTRY		DOOR SPACE	MOUNTING PLATE DIM.		TYPE OF LOCKS
	B	A	P	E	F	M	L	H	
<b>600</b>									
ST61230	600	1200	300	530	100	451	550	1150	ROD SYSTEM
<b>800</b>									
ST81230	800	1200	300	530	100	651	750	1150	ROD SYSTEM



**CHARACTERISTICS**

Enclosure manufactured from 1.5 mm thick sheet steel. Reversible door provided with 4.0 mm transparent plexiglas sheet and manufactured from 1.5 mm thick sheet steel up to H=800 mm; for box H>800, door manufactured from 2.0 mm thick sheet steel. Mounting plate manufactured from 2.5 mm thick sendzimir sheet steel.

**PAINT FINISH**

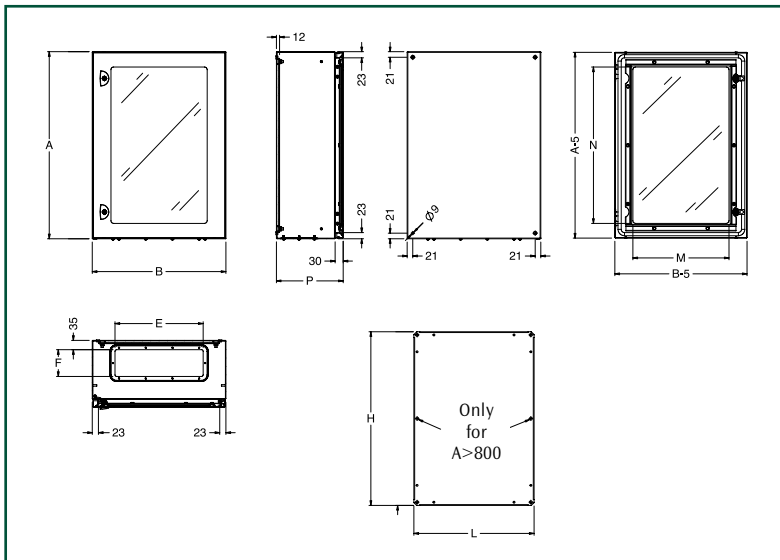
ETA standard epoxy polyester powder coating.  
Enclosure and door: colour RAL 7035 textured finish.

**SUPPLY**

- Box supplied with:
- door provided with locking system with  $\varnothing$  3 mm double bar key and 2 zincpassivated rails to be fixed
  - mounting plate
  - cable entry plate with sealing gasket
  - screws for earth connection and mounting accessories.

**PROTECTION RATING**

- IP66 complying with IEC EN62208; EN62262
- NEMA 12 complying with UL508A; UL50
- protection degree guaranteed by the two-component polyurethane foam seal
- impact resistance IK10 complying with IEC EN62208; EN62262.



Boxes

**BOXES WITH PLEXI DOOR**

STP CODE	BOX DIMENSIONS			CABLE ENTRY		DOOR SPACE		M. PLATE DIM.		NO. OF LOCKS / TYPE
	B	A	P	E	F	M	N	L	H	
STP4320	400	300	200	330	100	255	180	350	250	1
STP4420	400	400	200	330	100	255	280	350	350	1
STP4520	400	500	200	330	100	255	380	350	450	1
STP4525	400	500	250	330	100	255	380	350	450	1
STP4620	400	600	200	330	100	255	480	350	550	2
STP4625	400	600	250	330	100	255	480	350	550	2
STP5720	500	700	200	330	100	355	580	450	650	2
STP5725	500	700	250	330	100	355	580	450	650	2
STP6420	600	400	200	530	100	455	280	550	350	1
STP6430	600	400	300	530	100	455	280	550	350	1
STP6620	600	600	200	530	100	455	480	550	550	2
STP6630	600	600	300	530	100	455	480	550	550	2
STP6825	600	800	250	530	100	455	680	550	750	2
STP6830	600	800	300	530	100	455	680	550	750	2
STP61025	600	1000	250	530	100	455	880	550	950	2
STP61030	600	1000	300	530	100	455	880	550	950	2
STP61230	600	1200	300	530	100	415	1080	550	1150	ROD SYSTEM
STP81030	800	1000	300	530	100	655	880	750	950	2
STP81230	800	1200	300	530	100	615	1080	750	1150	ROD SYSTEM



#### CHARACTERISTICS

Enclosure and door manufactured from 1.5 mm thick sheet steel. Mounting plate with folded edges manufactured from 2.5 mm thick sendzimir sheet steel.

#### PAINT FINISH

ETA standard epoxy polyester powder coating.  
Enclosure and door: colour RAL 7035 textured finish.

#### SUPPLY

Box supplied with:

- doors provided with locking system with  $\varnothing$  3 mm double bar key and 4 zincpassivated rails to be fixed
- mounting plate
- 2 cable entry plates with sealing gasket
- screws for earth connection and mounting accessories.

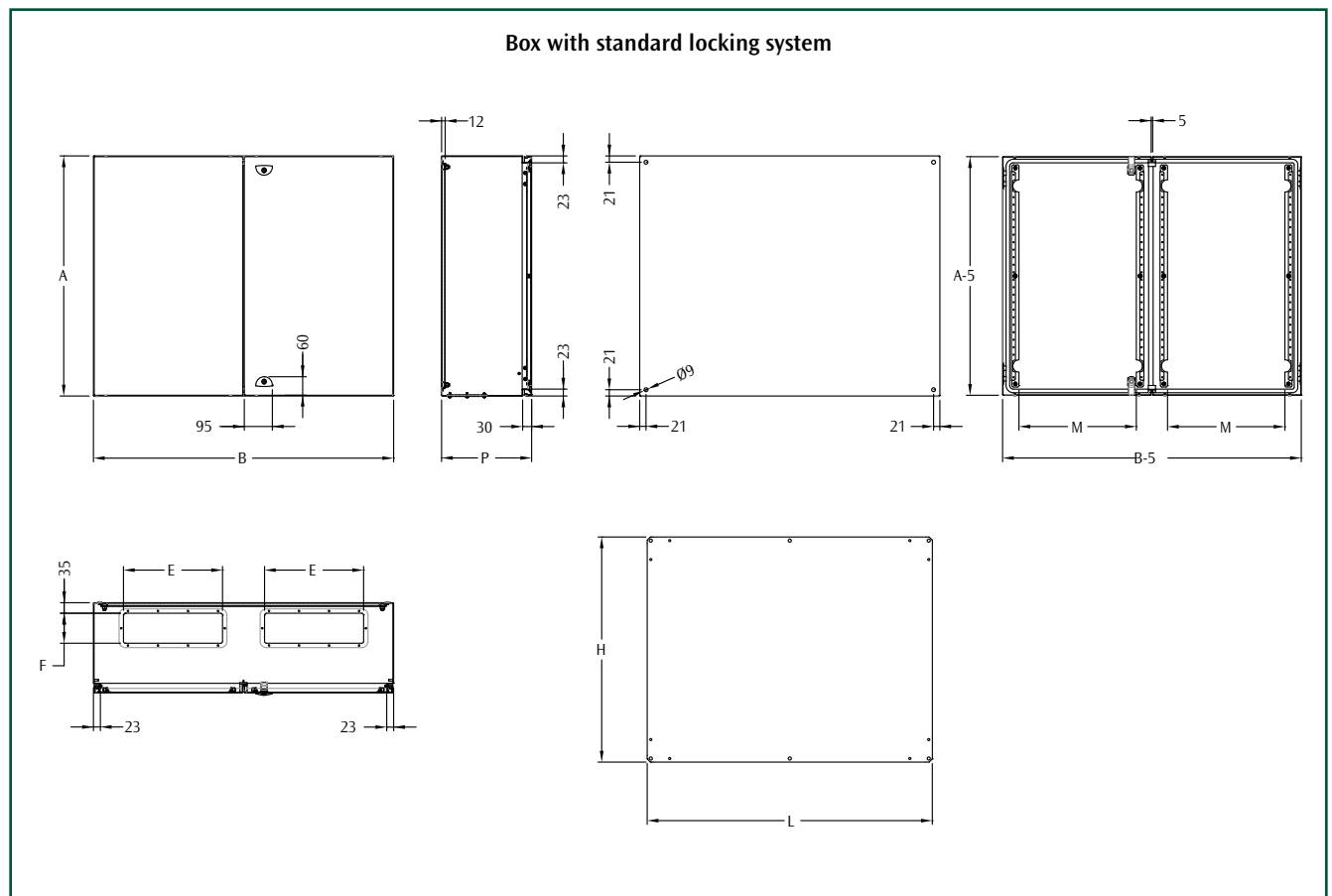
#### PROTECTION RATING

- IP66 complying with IEC EN62208; EN62262
- NEMA 12 complying with UL508A; UL50\*
- protection degree guaranteed by the two-component polyurethane foam seal
- impact resistance IK10 complying with IEC EN62208; EN62262.

\* Except for ST121230

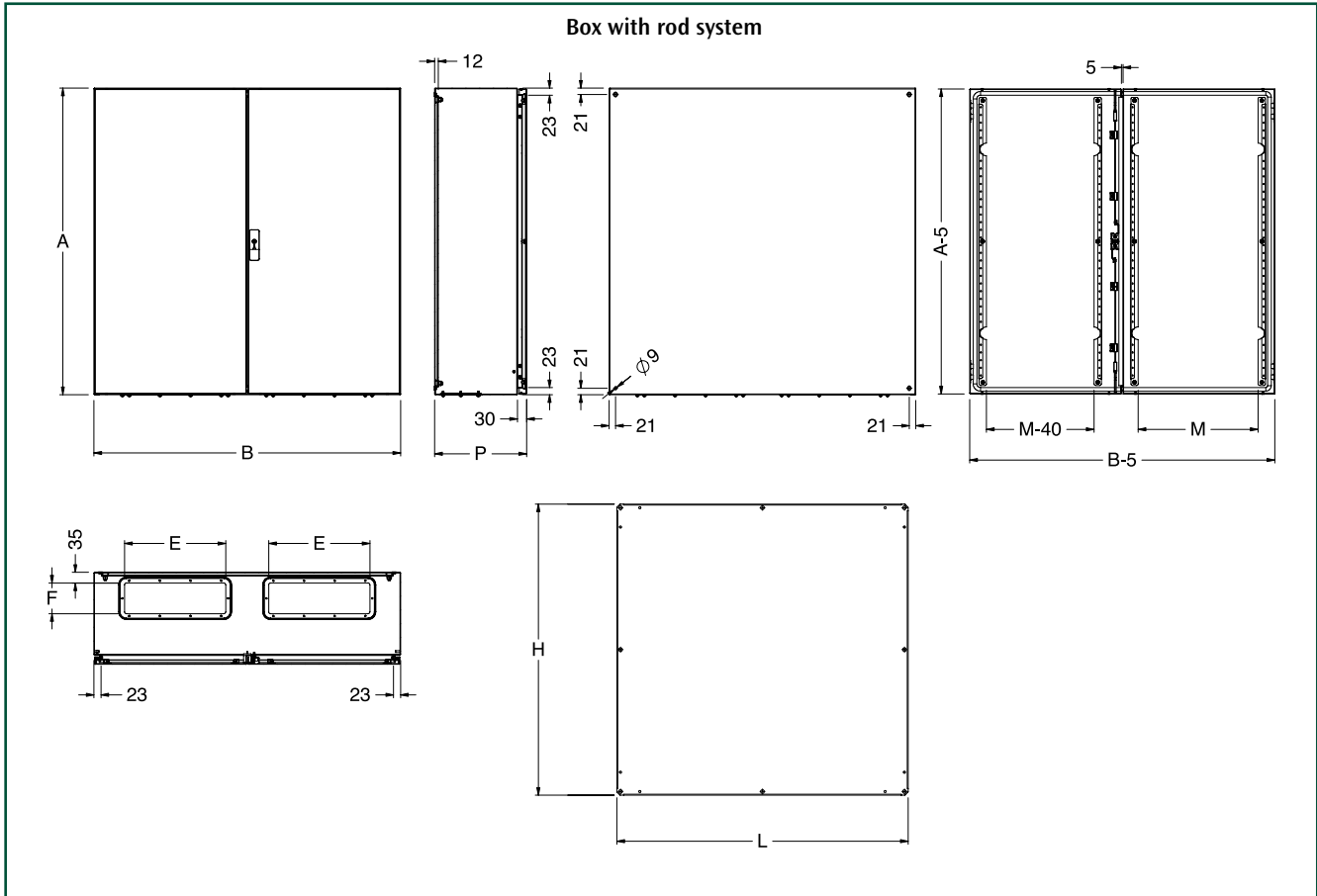
**Note:** main accessories to be ordered separately:  
• brackets for wall mounting, see page 174.

Boxes





### Box with rod system



Boxes

### DOUBLE DOOR BOXES

ST CODE	BOX DIMENSIONS			CABLE ENTRY		NO. CABLE ENTRY	DOOR SPACE M	MOUNT. PLATE DIM.		NO. OF LOCKS / TYPE
	B	A	P	E	F			L	H	
ST8630	800	600	300	530	100	1	291	750	550	2
ST10820	1000	800	200	330	100	2	391	950	750	2
ST10830	1000	800	300	330	100	2	391	950	750	2
ST101030	1000	1000	300	330	100	2	391	950	950	ROD SYSTEM
ST101230	1000	1200	300	330	100	2	391	950	1150	ROD SYSTEM
ST121230	1200	1200	300	330	100	2	491	1150	1150	ROD SYSTEM



**INNER DOOR STP01**

**CHARACTERISTICS**

Frame and door manufactured from 1.5 mm thick sheet steel.

**PAINT FINISH**

ETA standard epoxy polyester powder coating. Colour RAL 7035 textured finish.

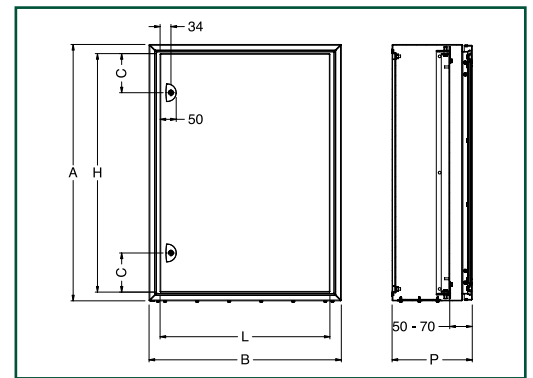
**SUPPLY**

Includes:

- frame
- door with  $\varnothing$  3 mm double bar key locking system
- mounting accessories.

**PROTECTION RATING**

- external: as box (IP66)
- internal: IP2X.



Boxes

**INNER DOOR**

STP01 CODE	BOX CODE		BOX DIMENSIONS			DOOR DIMENSIONS			NUMBER OF LOCKS
	ST	STP	B	A	P	L	H	C	
STP0145	ST4520	STP4520	400	500	200	330	444	222	1
STP0145	ST4525	STP4525	400	500	250	330	444	222	1
STP0146	ST4620	STP4620	400	600	200	330	544	272	1
STP0146	ST4625	STP4625	400	600	250	330	544	272	1
STP0157	ST5720	STP5720	500	700	200	430	644	322	1
STP0157	ST5725	STP5725	500	700	250	430	644	322	1
STP0164	ST6420	STP6420	600	400	200	530	344	172	1
STP0164	ST6430	STP6430	600	400	300	530	344	172	1
STP0168	ST6825	STP6825	600	800	250	530	744	122	2
STP0168	ST6830	STP6830	600	800	300	530	744	122	2
STP01610	ST61025	STP61025	600	1000	250	530	944	122	2
STP01610	ST61030	STP61030	600	1000	300	530	944	122	2
STP01612	ST61230	STP61230	600	1200	300	530	1144	122	2
STP01810	ST81030	STP81030	800	1000	300	730	944	122	2
STP01812	ST81230	STP81230	800	1200	300	730	1144	122	2

## MODULAR KIT MDST

### CHARACTERISTICS

Frame and front panels manufactured from 1.5 mm thick sheet steel.

### PAINT FINISH

ETA standard epoxy polyester powder coating.  
Colour: RAL 7035 textured finish.

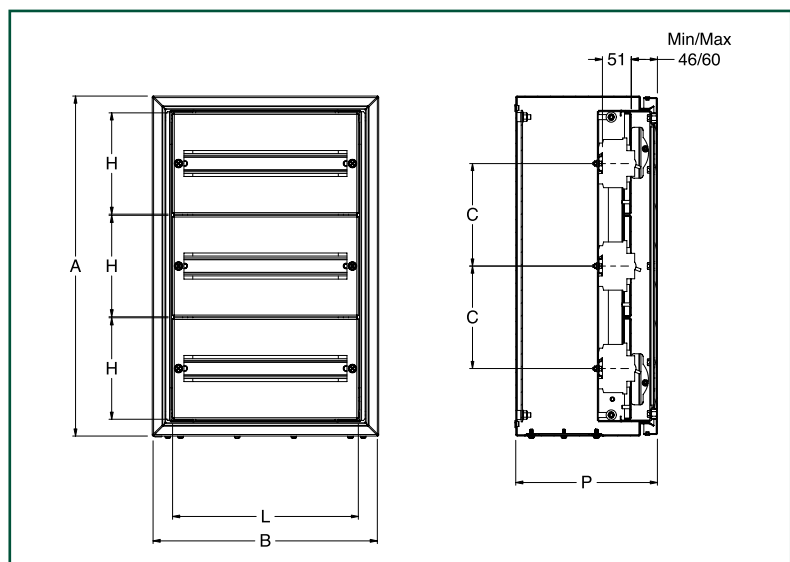
### SUPPLY

Includes:

- frame
- front panel with modular slot complete with mounting accessories and captive screws
- zincpassivated DIN rail (for each window)
- mounting accessories.

### PROTECTION RATING

External: as box (IP66).



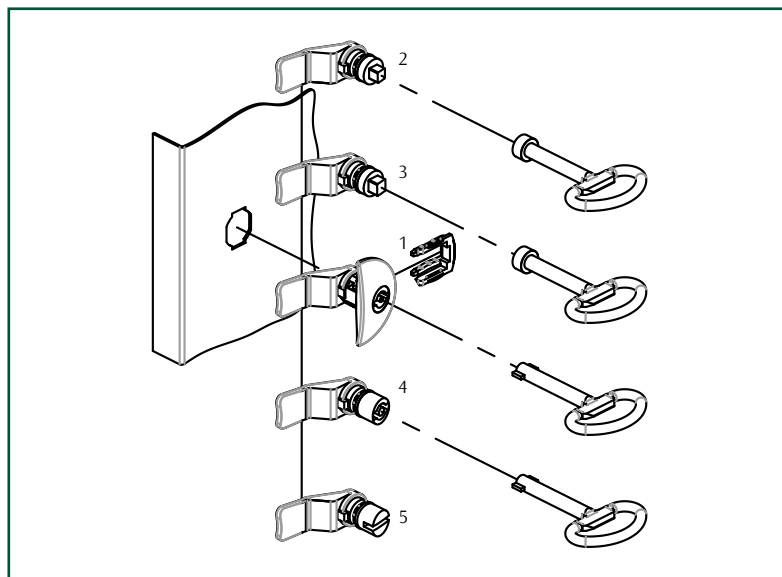
Boxes

## MODULAR KIT

MDST CODE	BOX CODE		BOX DIMENSIONS			PANEL DIMENSIONS			MODULES 18 MM	NO. OF PANELS
	ST	STP	B	A	P	L	H	C		
MDST4300	ST4320	STP4320	400	300	200	328	241	-	1x16	1
MDST4400	ST4420	STP4420	400	400	200	328	341	150	2x16	1
MDST4500	ST4520	STP4520	400	500	200	328	441	150	3x16	1
MDST4500	ST4525	STP4525	400	500	250	328	441	150	3x16	1
MDST4600	ST4620	STP4620	400	600	200	328	179	181	3x16	3*
MDST4600	ST4625	STP4625	400	600	250	328	179	181	3x16	3*
MDST6600	ST6620	STP6620	600	600	200	528	179	181	3x26	3**
MDST6600	ST6630	STP6630	600	600	300	528	179	181	3x26	3**
MDST6800	ST6825	STP6825	600	800	250	528	179	181	4x26	4**
MDST6800	ST6830	STP6830	600	800	300	528	179	181	4x26	4**
MDST61000	ST61025	STP61025	600	1000	250	528	179	181	5x26	5**
MDST61000	ST61030	STP61030	600	1000	300	528	179	181	5x26	5**
MDST61200	ST61230	STP61230	600	1200	300	528	179	181	6x26	6**

\* Available on request the blank frontal panel MDST4200

\*\* Available on request the blank frontal panel MDST6200



### FAST ASSEMBLY LOCKING SYSTEMS

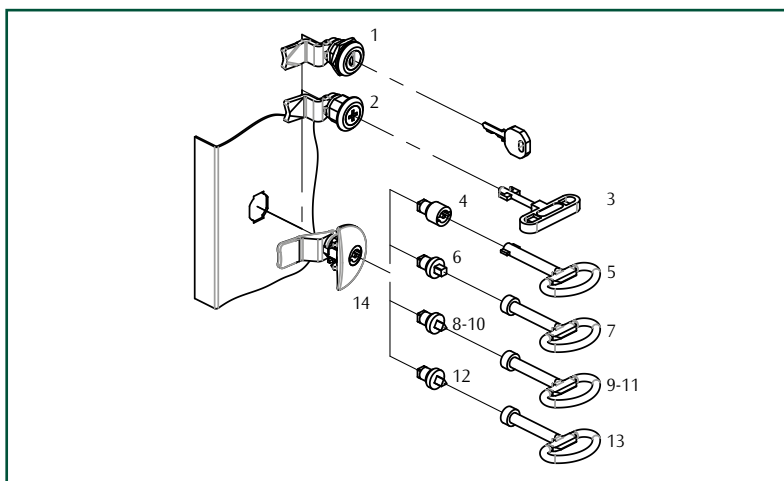
KEY CODE	INSERT CODE	REF.	DESCRIPTION
WE160	WE250	1	FAST ASSEMBLY LOCKING SYSTEM WITH ETA INSERT Ø 3 MM
WE200	WE300	2	FAST ASSEMBLY SQUARE INSERT $\sphericalangle$ 7 MM
WE165	WE305	3	FAST ASSEMBLY SQUARE INSERT $\sphericalangle$ 8 MM
WE170	WE310	4	FAST ASSEMBLY DOUBLE BAR INSERT Ø 5 MM
-	WE315	5	FAST ASSEMBLY SCREW DRIVER INSERT

Boxes

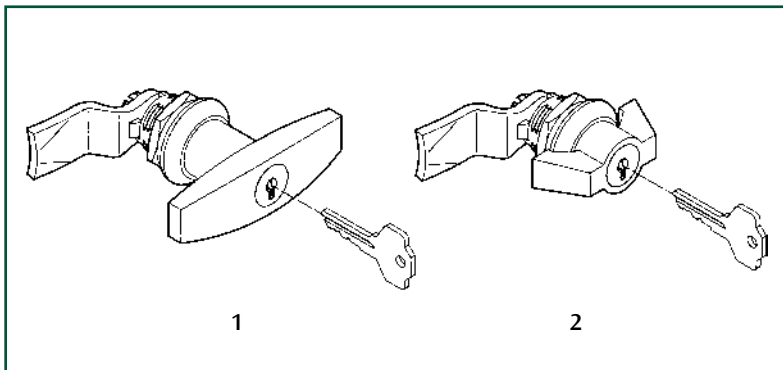


### ALTERNATIVE LOCKING SYSTEMS

WE CODE	REF.	DESCRIPTION
*WE235	1	VIRO INSERT
*WE240	2	FIAT INSERT
WE210	3	FIAT KEY
WE255	4	ETA INSERT Ø 3 MM
WE160	5	ETA KEY Ø 3 MM
WE260	6	INSERT $\sphericalangle$ 6 MM
WE263	7	KEY $\sphericalangle$ 6 MM
WE265	8	INSERT $\sphericalangle$ 7 MM
WE268	9	KEY $\sphericalangle$ 7 MM
WE270	10	INSERT $\sphericalangle$ 6,5 MM
WE273	11	KEY $\sphericalangle$ 6,5 MM
WE275	12	INSERT $\sphericalangle$ 8 MM
WE278	13	KEY $\sphericalangle$ 8 MM
WE250V	14	LOCKING SYSTEM WITHOUT INSERT



\* With cam and locking cover



## TT CANOPY

### CHARACTERISTICS

Manufactured from 1.5 mm thick sheet steel.

### SUPPLY

Includes 1 piece with mounting accessories.

### PAINT FINISH

ETA standard epoxy polyester powder coating.  
Colour: RAL 7035 textured finish.

For outdoor applications ETA recommends double layer of special powder coating.

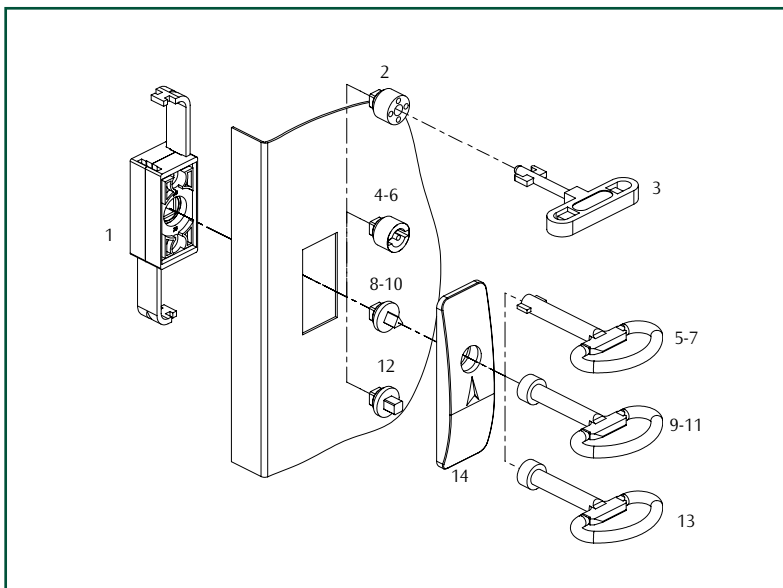


Boxes

## LOCKING SYSTEMS

WE CODE	REF.	DESCRIPTION
WE285	1	T HANDLE WITH KEYLOCK (IP65)
WE288	2	WING HANDLE WITH KEYLOCK (IP65)

Note: padlocking handle available on request.



## LOCKING SYSTEMS FOR DOUBLE DOOR BOXES WITH ROD MECHANISM

WE CODE	REF.	DESCRIPTION
WE010	1	ROD DRIVE
WE080	2	FIAT INSERT
WE210	3	FIAT KEY
WE030	4	ETA INSERT Ø 3 MM
WE160	5	ETA KEY Ø 3 MM
WE040	6	ETA INSERT Ø 5 MM
WE170	7	ETA KEY Ø 5 MM
WE050	8	INSERT $\nabla$ 7 MM
WE180	9	KEY $\nabla$ 7 MM
WE060	10	INSERT $\nabla$ 8 MM
WE190	11	KEY $\nabla$ 8 MM
WE070	12	INSERT $\nabla$ 7 MM
WE200	13	KEY $\nabla$ 7 MM
WE020	14	ETA COVER

## CANOPY TT

TT CODE	WIDTH	DEPTH
TT104	400	200
TT204	400	250
TT105	500	200
TT205	500	250
TT106	600	250
TT206	600	300
TT208	800	300



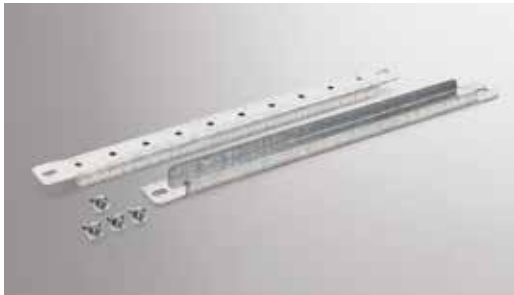
## HORIZONTAL DOOR RAIL WC

### CHARACTERISTICS

Manufactured from 1.5 mm thick sendzimir sheet steel with 2.5 mm pitch drilling and  $\varnothing$  4,2 holes to be fixed on door profiles and used to fix cable or trunking.

### SUPPLY

Includes 1 piece with mounting accessories.



RAIL	
WC CODE	DOOR WIDTH
WC001	300
WC002	400
WC003	500
WC004	600
WC005	800

**Note:** codes valid for one or two standard locking points.



RAIL	
WC CODE	DOOR WIDTH
WC001C	300
WC002C	400
WC003C	500
WC004C	600
WC005C	800

**Note:** codes valid for boxes with rod system.

## MOUNTING PLATE REGULATOR WA

It allows the mounting plate to be positioned at different depths.

### CHARACTERISTICS

Manufactured from 2.0 mm thick zincpassivated sheet steel.

### SUPPLY

Includes 2 pieces.

**Note:** order 2 packages for boxes  $H \leq 800$  mm  
order 3 packages for boxes  $H > 800$  mm single door.



MOUNTING PLATE REGULATOR	
WA CODE	BOX DEPTH
WA980	200
WA981	250
WA982	300

## DOOR STOP WA060

To be used to hold the door open at 90° avoiding accidental closing. Machining required.

### CHARACTERISTICS

Manufactured from 2.0 mm and 3.0 mm thick zincpassivated sheet steel.

### SUPPLY

Includes: single piece with mounting accessories and gasket for IP66.



Boxes

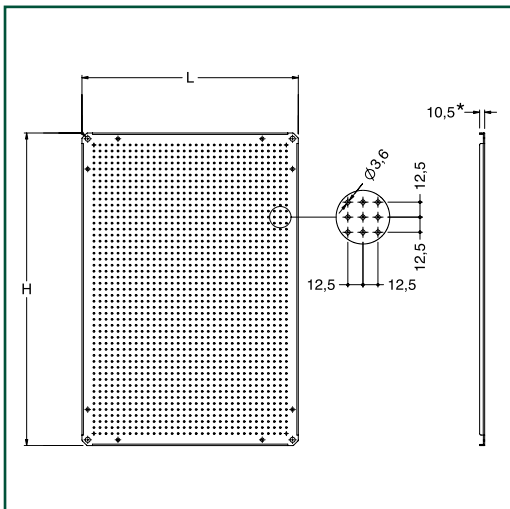
## MICROPERFORATED MOUNTING PLATES WPAZ - F

The microperforated mounting plate WPAZ - F is assembled with the same procedure as the standard mounting plates.

### CHARACTERISTICS

Manufactured from 2.5 mm thick sendzimir sheet steel.

**Note:** available upon request.



\* Plate with raised edges starting from enclosure size 500x700

## MICROPERFORATED MOUNT. PLATES

WPAZ CODE	BOX DIM.		M. PLATE DIM.	
	B	A	L	H
WPAZ-ST23F	200	300	150	250
WPAZ-ST33F	300	300	250	250
WPAZ-ST35F	300	500	250	450
WPAZ-ST43F	400	300	350	250
WPAZ-ST44F	400	400	350	350
WPAZ-ST45F	400	500	350	450
WPAZ-ST46F	400	600	350	550
WPAZ-ST55F	500	500	450	450
WPAZ-ST57F	500	700	450	650
WPAZ-ST64F	600	400	550	350
WPAZ-ST66F	600	600	550	550
WPAZ-ST68F	600	800	550	750
WPAZ-ST610F	600	1000	550	950
WPAZ-ST612F	600	1200	550	1150
WPAZ-ST88F	800	800	750	750
WPAZ-ST810F	800	1000	750	950
WPAZ-ST812F	800	1200	750	1150
WPAZ-ST1010F	1000	1000	950	950
WPAZ-ST1012F	1000	1200	950	1150
WPAZ-ST1212F	1200	1200	1150	1150

## POLE MOUNTING KIT FPST-001

To fix the box to a pole with round or rectangular section.

### CHARACTERISTICS

Rail manufactured from galvanized sheet steel and clamp collar.

### SUPPLY

Includes 2 rails and 2 clamps with mounting accessories.



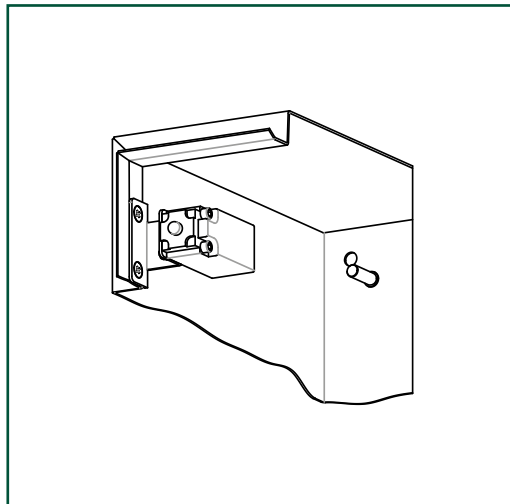
## MICROSWITCH WI100ST

### CHARACTERISTICS

Complying with standards IEC337-VDE0660. Mounting bracket manufactured from sendzimir sheet steel for a fast-assembly on ST wall-mounting boxes.

### SUPPLY

- microswitch
- mounting bracket
- screws



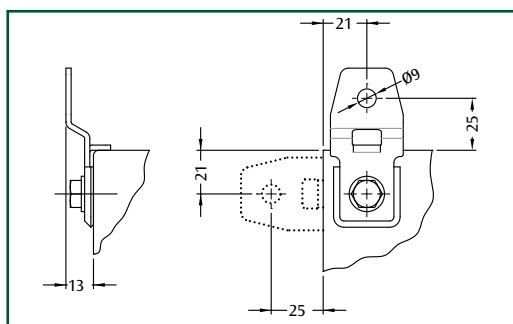
## WALL MOUNTING BRACKETS SDWC-010

### CHARACTERISTICS

Manufactured from 2.5 mm thick zincpassivated sheet steel.

### SUPPLY

Includes 4 pieces.



## CABLE ENTRY GLAND PLATE WC - B

### CHARACTERISTICS

Manufactured from 1.5 mm thick sheet steel.

### PAINT FINISH

ETA standard epoxy polyester powder coating.  
Colour: RAL 7035 textured finish

### SUPPLY

Includes 1 piece with sealing gasket and mounting accessories.



### CABLE ENTRY GLAND PLATE

WC CODE	PLATE DIMENSIONS
WC016B	158 x 78
WC018B	258 x 78
WC019B	258 x 128
WC020B	358 x 128
WC022B	558 x 128

## LOUVERED CABLE ENTRY PLATES WC - A

### CHARACTERISTICS

Manufactured from 1.5 mm thick sheet steel.

### PAINT FINISH

ETA standard epoxy polyester powder coating.  
Colour: RAL 7035 textured finish.

### SUPPLY

Includes 1 piece complete with seals and mounting accessories.



### LOUVERED CABLE ENTRY PLATES

WC CODE	PLATE DIMENSIONS
WC016A	158 x 78
WC018A	258 x 78
WC019A	258 x 128
WC020A	358 x 128
WC022A	558 x 128

Note: available on request

## PUNCHED CABLE ENTRY PLATES WC - FL

### CHARACTERISTICS

Manufactured from 1.5 mm thick sheet steel.

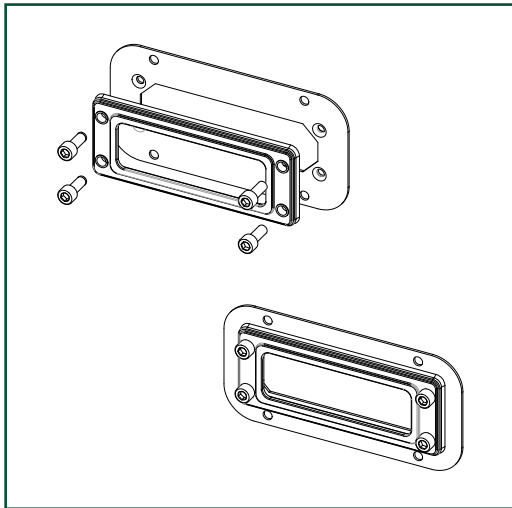
### PAINT FINISH

ETA standard epoxy polyester powder coating.  
Colour: RAL 7035 textured finish.

### SUPPLY

Includes 1 piece with gasket, screws for FL frame and mounting accessories.

**Note:** it is available the package with 5 pieces, complete with gaskets, screws for the FL frame and mounting accessories; in this case add suffix "5" to the code (i.e.: WC016FL5).



## FL13 AND FL21 FRAMES

### CHARACTERISTICS

In reinforced fiberglass, polypropylene and thermo-plastic halogen-free elastomers. UL approved materials.

Colour: RAL 7035.

### PROTECTION RATING

IP65.

### TEMPERATURE RESISTANCE

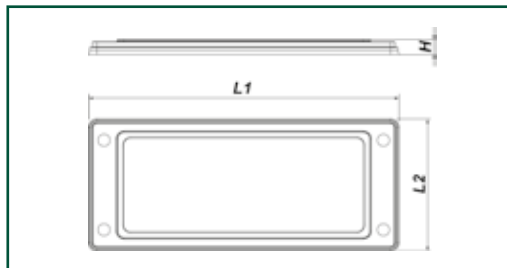
-20°C +125°C.

### TEST

EN62262  
EN60670-1, EN50262.

### SUPPLY








Includes 10 pieces.



## PUNCHED CABLE ENTRY PLATES

WC CODE	PLATE DIM.	NO. OF HOLES	HOLE DIM.
WC016FL	158 x 78	1 per FL13	118 x 30
WC018FL	258 x 78	1 per FL13	118 x 30
WC019FL	258 x 128	1 per FL21	196 x 62
WC020FL	358 x 128	1 per FL21	196 x 62
WC022FL	558 x 128	2 per FL21	196 x 62

## COMBINATIONS

FL13	3x 	3 small squared inserts
	1x  + 1x 	1 small squared insert + 1 horizontal rectangular insert
FL21	2x  + 1x 	2 big squared inserts + 1 vertical rectangular insert
	5x 	5 vertical rectangular inserts
	10x 	10 small squared inserts

## FRAMES

CODE	DESCRIPTION	L1	L2	H
WC2665404	FL13 FRAME	134	52	6,5
WC2665400	FL21 FRAME	214	90	9

Boxes

## INSERTS FOR FL13 AND FL21 FRAMES

### CHARACTERISTICS

In reinforced fiberglass, polypropylene and thermo-plastic halogen-free elastomers. UL approved materials.

Colour: RAL 7035.

### PROTECTION RATING

IP65.

### TEMPERATURE RESISTANCE

-20°C +125°C.

### TEST

EN62262,  
EN60670, EN50262.

### SUPPLY

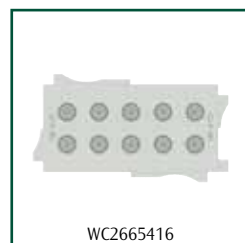
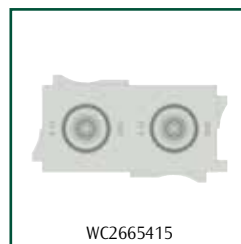
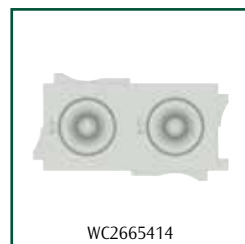
Includes 10 pieces.

### CABLE INSTALLATION

Pushing the cable through the membrane until the membrane allows its passage or remove a part of the membrane before installing the cable with a tinier cable or with a screwdriver.

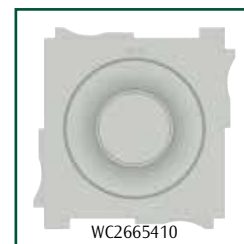
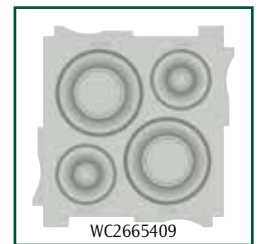
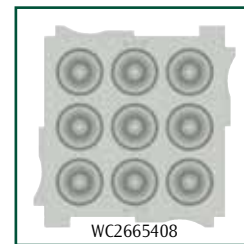
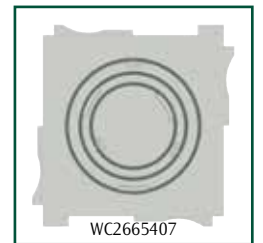
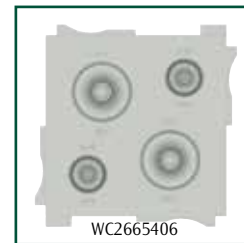
## INSERTS FOR FL13 FRAME

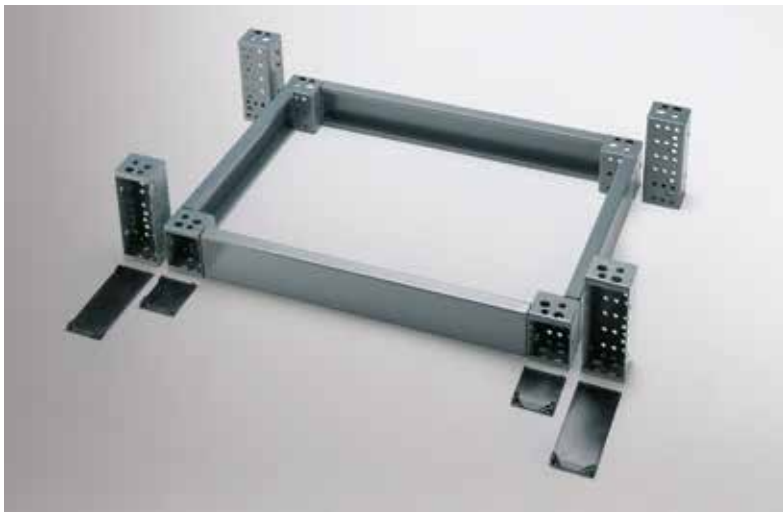
CODE	DESCRIPTION	FOR CABLE Ø MM
WC2665414	34 x 68, 2 x 8-17	8-17
WC2665415	34 x 68, 2 x M20	6-13
WC2665416	34 x 68, 10 x 4-10 MM	4-10
WC2665417	34 x 34, 1 x M20	6-13



## INSERTS FOR FL21 FRAME

CODE	DESCRIPTION	FOR CABLE Ø MM
WC2665406	68 x 68, 2 x M25 + 2 x M16	8-17, 5-10
WC2665407	68 x 68, KNOCKOUT M50, M40, M32	-
WC2665408	68 x 68, 9 x 7-14 MM	7-14
WC2665409	68 x 68, 2 x 20-30 MM + 2 x 10-20 MM	20-30, 10-20
WC2665410	68 x 68, 30-50 MM	30-50
WC2665411	68 x 34, 2 x 8-17 MM	8-17
WC2665412	68 x 34, 2 x M20	6-13
WC2665413	68 x 34, 10 x 4-10 MM	4-10





## MODULAR PLINTH ATZE

### CHARACTERISTICS

Corner pieces manufactured from 2.5 mm thick press bent sheet steel, with PVC front covers caps. Front and side crosspieces manufactured from 2.0 mm thick press bent sheet steel.

### PAINT FINISH

ETA standard epoxy polyester powder coating.  
Colour: RAL 7025 textured finish.

### SUPPLY

The modular plinth is made up of:

- corner pieces: supply includes 4 pieces complete with front covers and mounting hardware
- front crosspieces: supply includes 2 pieces
- side crosspieces: supply includes 2 pieces.

## UNIVERSAL CORNER PIECES

ATZE CODE	DESCRIPTION
ATZE-A100	CORNER PIECES FOR PLINTH H=100
ATZE-A200	CORNER PIECES FOR PLINTH H=200

**Note:** supply includes 4 pieces with mounting accessories.

## FRONT CROSSPIECES

ATZE CODE	DESCRIPTION	CROSS. LENGTH MM
ATZE-T0600	PLINTH CROSSPIECES W=600	444
ATZE-T0800	PLINTH CROSSPIECES W=800	644
ATZE-T1000	PLINTH CROSSPIECES W=1000	844
ATZE-T1200	PLINTH CROSSPIECES W=1200	1044

**Note:** supply includes 2 pieces.

**Note:** to order the front and side crosspieces H=200, add the suffix "D" to the code. (i.e.: ATZE-T0600D).

## SIDE CROSSPIECES FOR SP / STP

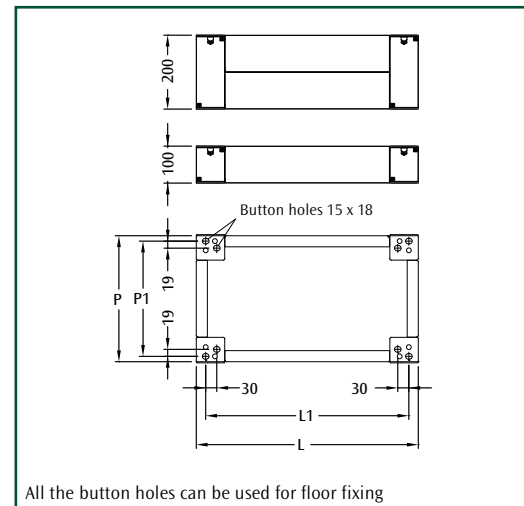
ATZE CODE	DESCRIPTION	CROSS. LENGTH MM
ATZE-T0300S	PLINTH CROSSPIECES D=300	136
ATZE-T0400A	PLINTH CROSSPIECES D=400	236

**Note:** supply includes 2 pieces.

**Note:** to order the front and side crosspieces H=200, add the suffix "D" to the code. (i.e.: ATZE-T0300SD).

## DIMENSIONAL SPECIFICATIONS

BOX DIMENSIONS		PLINTH DIM.		CENT. DISTANCES	
L	P	L	P	L1	P1
600	300	600	270	549	241
600	400	600	370	549	341
800	300	800	270	749	241
800	400	800	370	749	341
1000	300	1000	270	949	241
1200	300	1200	270	1149	241



**Note:** to assemble the plinth on ST Boxes, the base requires holes punching.

Boxes

**CHARACTERISTICS**

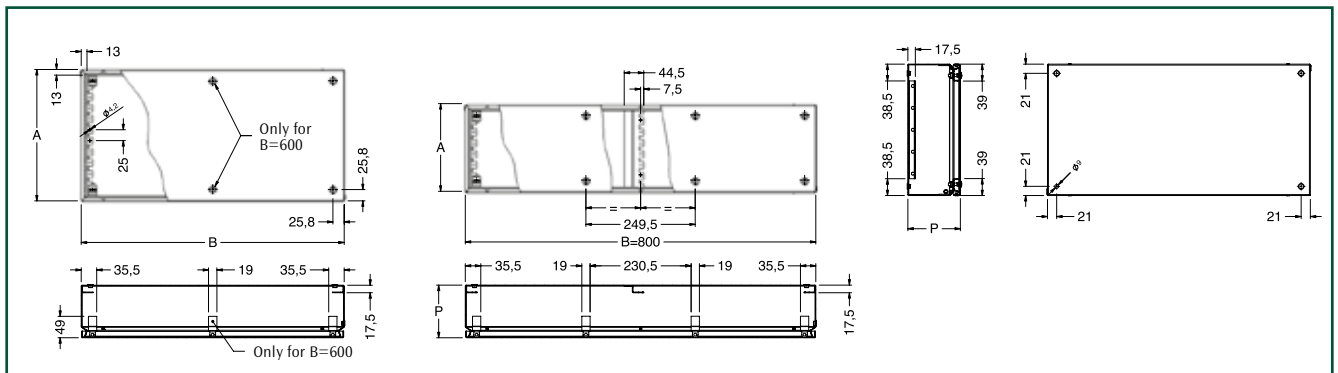
Box and lid manufactured from 1.2 mm thick sheet steel. Box provided with holes for fixing optional hinges and lid fixed with captive screws.

**PAINT FINISH**

ETA standard epoxy polyester powder coating.  
Colour: RAL 7035 textured finish.

**PROTECTION RATING**

- IP66 complying with IEC EN62208; EN62262
- NEMA 4 complying with UL508A; UL50
- protection degree guaranteed by the two-component polyurethane foam seal
- impact resistance IK10 complying with IEC EN62208; EN62262.



Boxes

**TERMINAL BOXES**

SDV CODE	DIMENSIONS		
	B	A	P
SDV1108	150	150	80
SDV2208	200	200	80
SDV3208	300	200	80
SDV4208	400	200	80
SDV5208	500	200	80
SDV6208	600	200	80
SDV8208	800	200	80
SDV1112	150	150	120
SDV2212	200	200	120
SDV3112	300	150	120
SDV3212	300	200	120
SDV3312	300	300	120
SDV4212	400	200	120
SDV4312	400	300	120
SDV4412	400	400	120
SDV5212	500	200	120
SDV5312	500	300	120
SDV6212	600	200	120
SDV6312	600	300	120
SDV6412	600	400	120
SDV8212	800	200	120
SDV8412	800	400	120

Note: to be ordered separately: mounting plate and/or DIN rails (refer to page 179).



**CHARACTERISTICS**

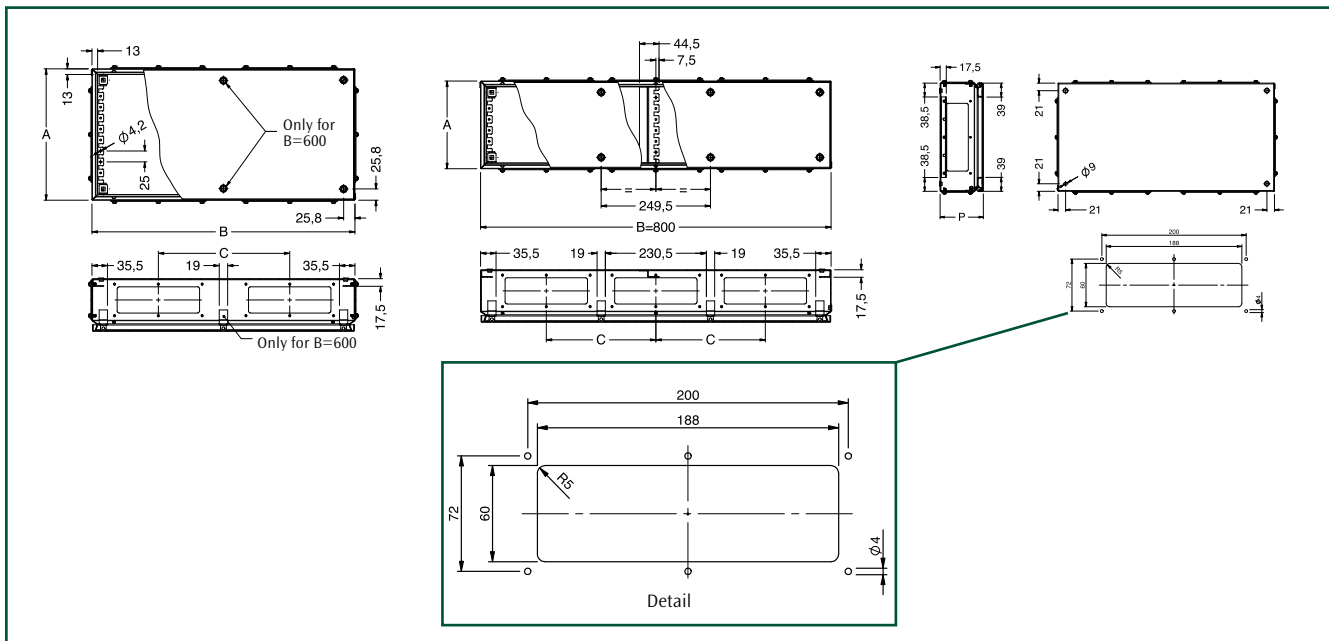
Box and lid manufactured from 1.2 mm thick sheet steel. Box provided with holes for fixing hinges and gland plates complete with gasket; lid fixed with captive screws.

**PAINT FINISH**

ETA standard epoxy polyester powder coating. Colour: RAL 7035 textured finish.

**PROTECTION RATING**

- IP66 complying with IEC EN62208; EN62262
- NEMA 4 complying with UL508A; UL50
- protection degree guaranteed by the two-component polyurethane foam seal
- impact resistance IK10 complying with IEC EN62208; EN62262.



Boxes

**TERMINAL BOXES WITH GLAND PLATES**

SDF CODE	DIMENSIONS				TOTAL NUMBER GLAND PLATES	NUMBER OF GLAND PLATES	
	B	A	C	P		SIDE "B"	SIDE "A"
SDF3212	300	200	-	120	2	2	-
SDF3312	300	300	-	120	4	2	2
SDF4212	400	200	-	120	2	2	-
SDF4312	400	300	-	120	4	2	2
SDF4412	400	400	-	120	4	2	2
SDF5212	500	200	130	120	4	4	-
SDF5312	500	300	130	120	6	4	2
SDF6212	600	200	150	120	4	4	-
SDF6312	600	300	150	120	6	4	2
SDF6412	600	400	150	120	6	4	2
SDF8212	800	200	150	120	6	6	-
SDF8412	800	400	150	120	8	6	2

Note: to be ordered separately: mounting plate and/or DIN rails (refer to page 179).





**CHARACTERISTICS**

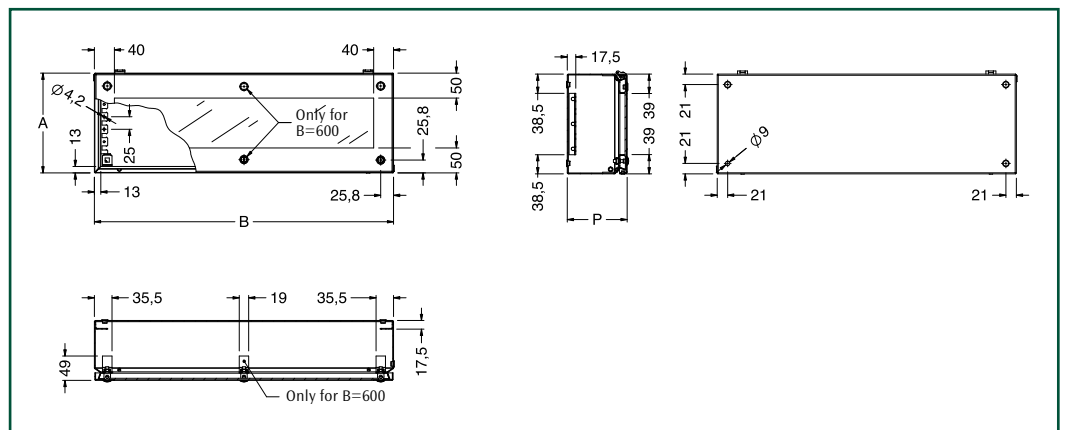
Box and lid manufactured from 1.2 mm thick sheet steel. Hinged lid with captive screws and provided with 3.0 mm thick plexiglas for internal inspection.

**PAINT FINISH**

ETA standard epoxy polyester powder coating. Colour: RAL 7035 textured finish.

**PROTECTION RATING**

- IP55 complying with IEC EN62208; EN62262
- impact resistance IK10 complying with IEC EN62208; EN62262.



Boxes

**TERMINAL BOXES WITH TRANSPARENT LID**

SDVX CODE	DIMENSIONS		
	B	A	P
SDVX4212	400	200	120
SDVX6212	600	200	120

**Note:** to be ordered separately; mounting plate and/or DIN rails (refer to page 179).



#### CHARACTERISTICS

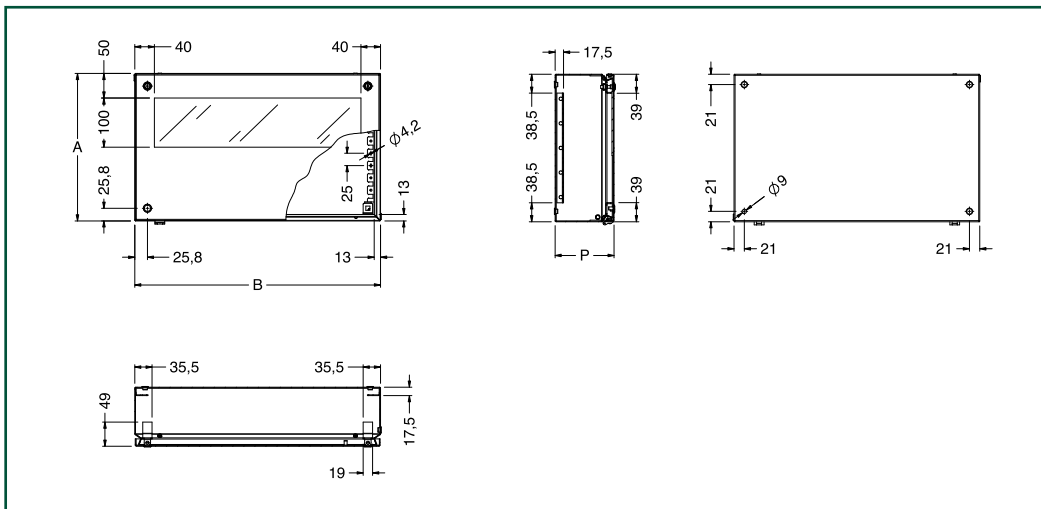
Box and lid manufactured from 1.2 mm thick sheet steel. Hinged lid with captive screws and provided with 3.0 mm thick plexiglas for internal inspection.

#### PAINT FINISH

ETA standard epoxy polyester powder coating.  
Colour: RAL 7035 textured finish.

#### PROTECTION RATING

- IP55 complying with IEC EN62208; EN62262
- impact resistance IK10 complying with IEC EN62208; EN62262.



### TERMINAL BOX FOR BUS SYSTEMS

SDVX CODE	DIMENSIONS		
	B	A	P
SDVX5312B	500	300	120

**Note:** to be ordered separately: mounting plate and/or DIN rails (refer to page 179).



#### CHARACTERISTICS

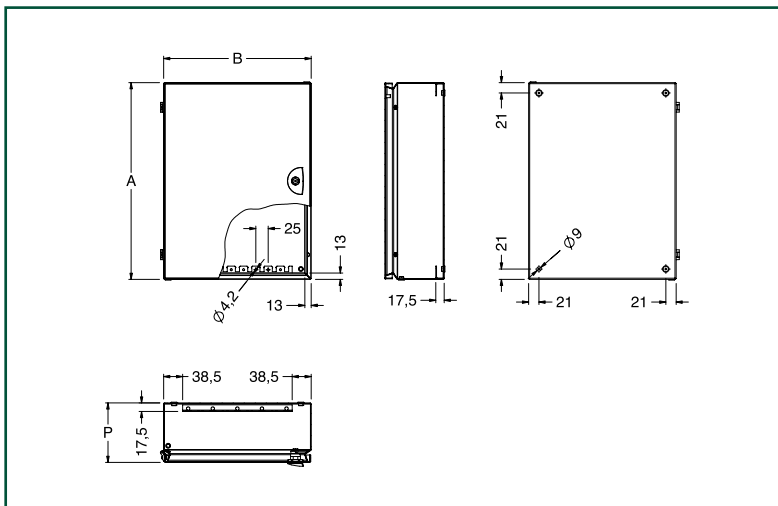
Box manufactured from 1.2 mm thick sheet steel.  
Door manufactured from 1.5 mm thick sheet steel with  $\varnothing$  3mm double bar key locking system.

#### PAINT FINISH

ETA standard epoxy polyester powder coating.  
Colour: RAL 7035 textured finish.

#### PROTECTION RATING

- IP55 complying with IEC EN62208; EN62262
- impact resistance IK10 complying with IEC EN62208; EN62262.



#### TERMINAL BOXES WITH DOOR

SDP CODE	DIMENSIONS		
	B	A	P
SDP2208	200	200	80
SDP2308	200	300	80
SDP2408	200	400	80
SDP2212	200	200	120
SDP2312	200	300	120
SDP2412	200	400	120
SDP2512	200	500	120
SDP3312	300	300	120
SDP3412	300	400	120

**Note:** to be ordered separately: mounting plate and/or DIN rails  
(refer to page 179).

**MOUNTING PLATE SDPA**

**CHARACTERISTICS**

Manufactured from 2.0 mm thick sendzimir sheet steel.

**SUPPLY**

Includes 1 piece.



MOUNTING PLATE				
SDPA CODE	BOX DIM.		MOUN. PLATE DIM.	
	WIDTH	HEIGHT	W	H
SDPA-11	150	150	126	120
SDPA-22	200	200	176	170
SDPA-31	300	150	276	120
SDPA-32	300	200	276	170
SDPA-33	300	300	276	270
SDPA-42	400	200	376	170
SDPA-43	400	300	376	270
SDPA-44	400	400	376	370
SDPA-52	500	200	476	170
SDPA-53	500	300	476	270
SDPA-62	600	200	576	170
SDPA-63	600	300	576	270
SDPA-64	600	400	576	370
SDPA-82	800	200	776	170
SDPA-84	800	400	776	370

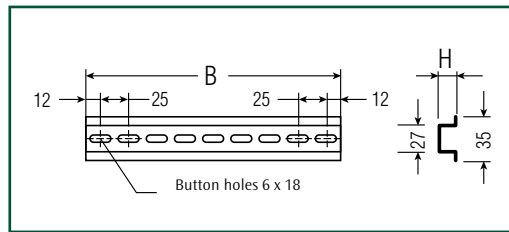
**INNER RAILS SDWA**

**CHARACTERISTICS**

Manufactured from sendzimir sheet steel bars.

**SUPPLY**

Includes 10 pieces.



INNER RAILS			
SDWA CODE	BOX WIDTH	B	H
SDWA-013	150	125	7,5
SDWA-015	200	175	7,5
SDWA-020	300	275	7,5
SDWA-025	400	375	7,5
SDWA-030	500	475	7,5
SDWA-035	600	575	15
SDWA-040	800	775	15

Boxes

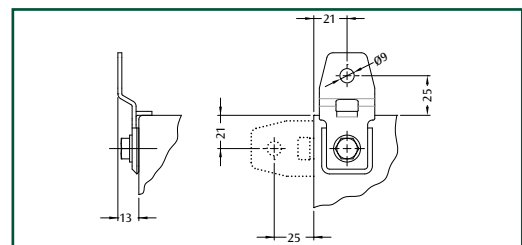
**WALL MOUNTING BRACKETS SDWC-010**

**CHARACTERISTICS**

Manufactured from 2.5 mm thick zincpassivated sheet steel.

**SUPPLY**

Includes 4 pieces.



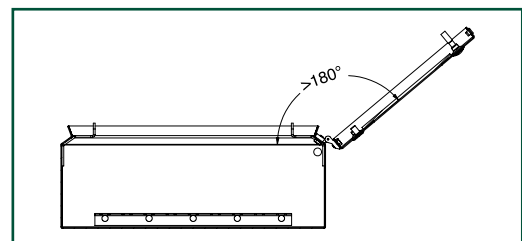
**HINGES SDWA-005**

**CHARACTERISTICS**

Manufactured from white zincpassivated alloy.

**SUPPLY**

Includes 6 pieces with mounting accessories.







**MULTIPLIESTHEEXPERIENCE**

**CONTROL DESK**

**CONTROL DESK**

E NUX DESK CABINETS  
MODULAR CONTROL DESKS  
MONOBLOC CONTROL DESKS





Control desk

## CONTROL DESK SOLUTIONS

### FEATURES

Three types of solutions to meet various application needs:

- enclosures with control desk based on E NUX system: with upper and lower door, and an halfway zone for a panel or a front shelf mounting, available assembled or in flat-pack version. This solution proposes the concept of vertical modularity that is typical of E NUX PC solutions: in addition to the E NUX structure, there's the front frame with an height that is contained in 1400 mm to ensure a good visual control of the area that has to be supervised. Available in four widths and in two depths, the range is compatible with the standard accessories of the E NUX system
- modular desks with 400 and 500 mm depth, formed by a series of elements: an AE base, two types of shelf (ME or LE) and an upper part (PE). The flexible use of the components solves the various needs based on usage and final installation
- monobloc desks to be used in easier conditions and for simpler applications: available in two versions – SBA with rear door and an adjustable in depth mounting plate, ZBA with solid rear panel and a mounting plate that is screwed on the inside rear cover – to offer a technical solution, which is always adapted to the needs of the customer.





Control desk

#### CHARACTERISTICS

E NUX structure and adjustable cable entry bottom manufactured from high-strength low-alloy sheet steel with rear panel with folded sides and removable roof manufactured from sheet steel. Front frame EU-AL and roof with extension manufactured from sheet steel. Upper door manufactured from sheet steel with sendimir profiles with mechanical stop and  $\varnothing 3$  mm double bar locking system. Lower door manufactured from sheet steel with reinforcing profiles, rod mechanism and  $\varnothing 3$  mm double bar locking system.

#### PAINT FINISH

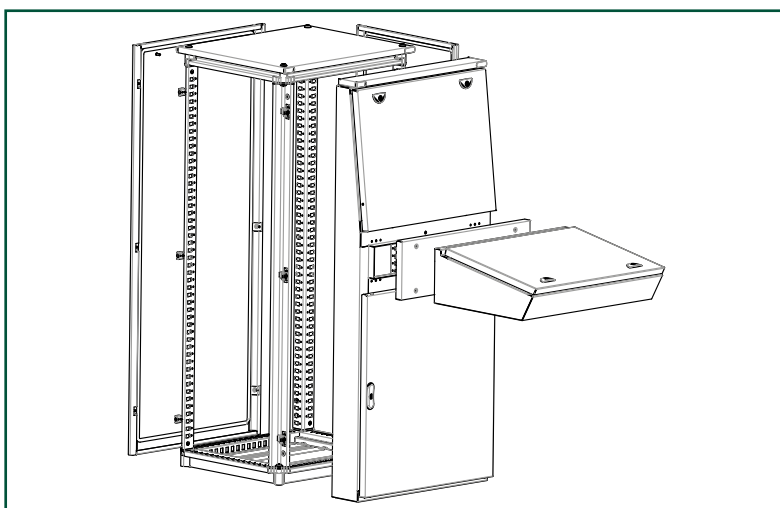
- ETA standard epoxy polyester powder coating
- structure: colour RAL 7035 smooth finish
  - EUAL front, rear door or panel: colour RAL 7035 textured finish
  - roof: colour RAL 5020 textured finish.

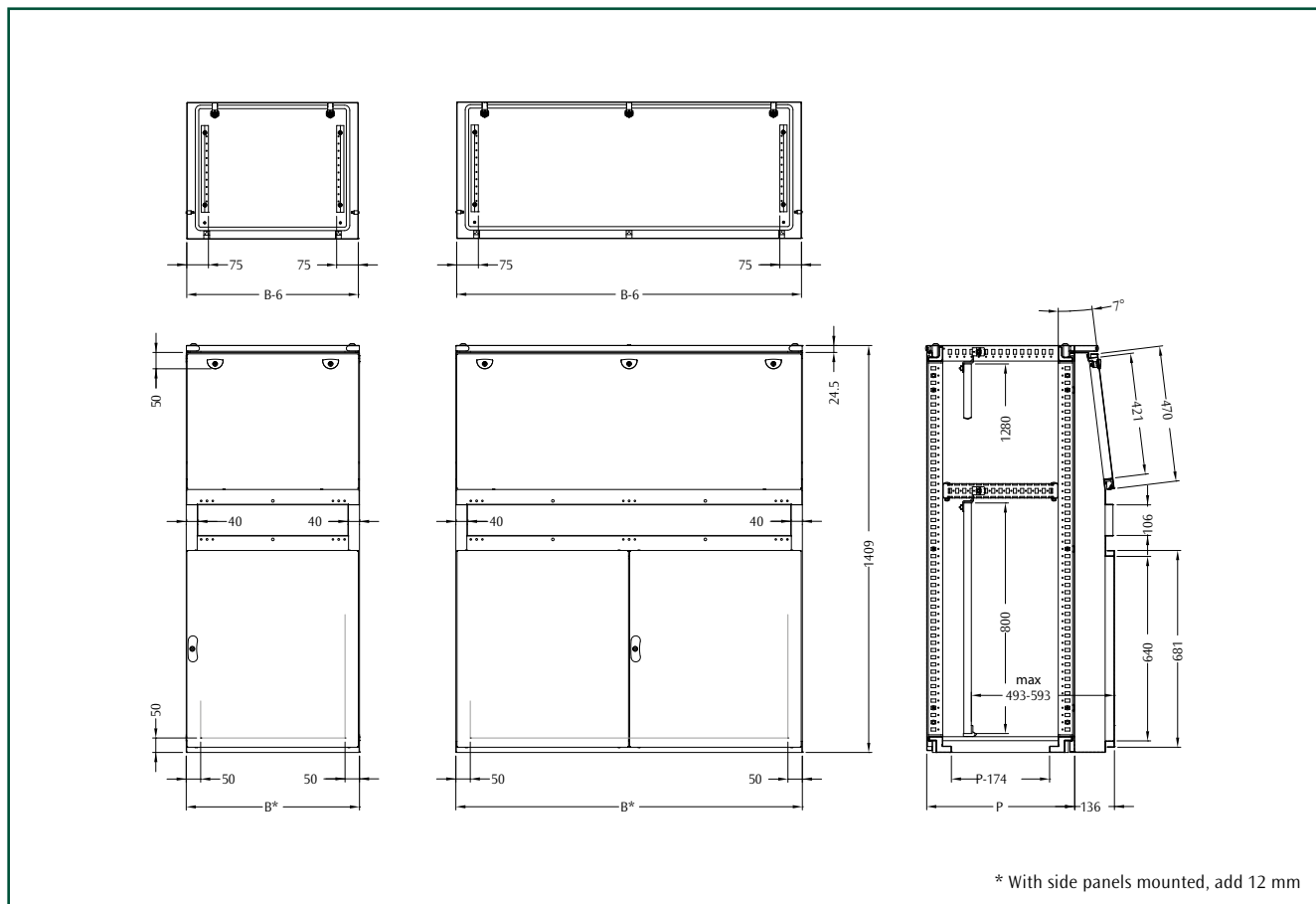
#### SUPPLY

- E NUX structure with rear door or panel (assembled or in kit) and EUAL front frame complete with upper and lower doors
- to complete the configuration of the front, it shall be ordered separately the EUME shelf or the EUPN front panel
- supply includes adhesive gasket and mounting accessories.

#### PROTECTION RATING

- IP55 complying with IEC EN62208; EN62262
- impact resistance IK10 complying with IEC EN62208; EN62262.



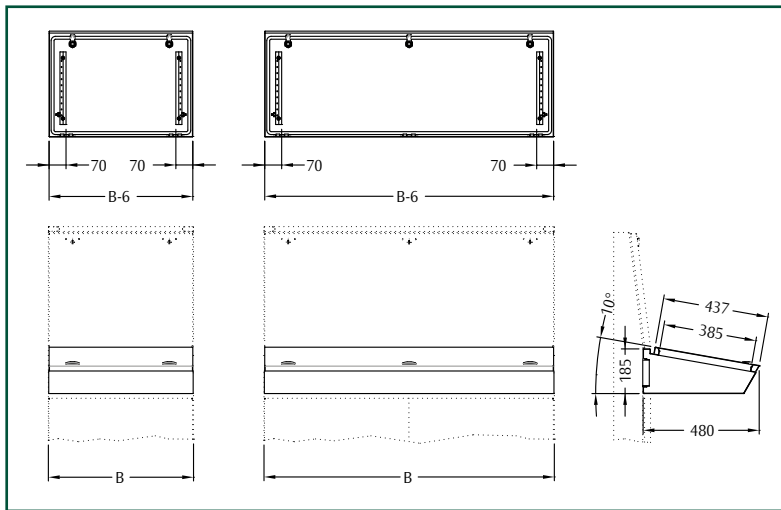


### DESK CABINET E NUX

DIMENSIONS			CABINET DIM.		FLAT-PACK VERSION				ASSEMBLED VERSION	
WIDTH	HEIGHT	DEPTH	B	P	TOP + BOTTOM	EUAL FRONT STR. + STR. UPRIGHTS	REAR DOOR + UPRIGHTS	REAR PANEL + UPRIGHTS	E NUX AL WITH REAR DOOR	E NUX AL WITH REAR PANEL
600	1400	400	600	414	EUTF060040	EUAL060140	EUPO060140	EURE060140	EUAL061404FP	EUAL061404FR
800	1400	400	800	414	EUTF080040	EUAL080140	EUPO080140	EURE080140	EUAL081404FP	EUAL081404FR
1200	1400	400	1200	414	EUTF120040	EUAL120140	EUPO120140	EURE120140	EUAL121404FP	EUAL121404FR
1600	1400	400	1600	414	EUTF160040	EUAL160140	EUPO160140	EURE160140	EUAL161404FP	EUAL161404FR
600	1400	500	600	514	EUTF060050	EUAL060140	EUPO060140	EURE060140	EUAL061405FP	EUAL061405FR
800	1400	500	800	514	EUTF080050	EUAL080140	EUPO080140	EURE080140	EUAL081405FP	EUAL081405FR
1200	1400	500	1200	514	EUTF120050	EUAL120140	EUPO120140	EURE120140	EUAL121405FP	EUAL121405FR
1600	1400	500	1600	514	EUTF160050	EUAL160140	EUPO160140	EURE160140	EUAL161405FP	EUAL161405FR

Note: side panels EUFI040140 (400 x 1400) or EUFI050140 (500 x 1400) to be ordered separately.

Control desk



## SHELF EUME

### CHARACTERISTICS

Structure manufactured from 1.5 mm thick sheet steel. Upper panel manufactured from 1.5 mm thick sheet steel with  $\varnothing$  3 mm double bar locking system, sendzimir rails and gas springs to avoid accidental closing.

### PAINT FINISH

ETA standard epoxy polyester powder coating.  
Colour: RAL 7035 textured finish.

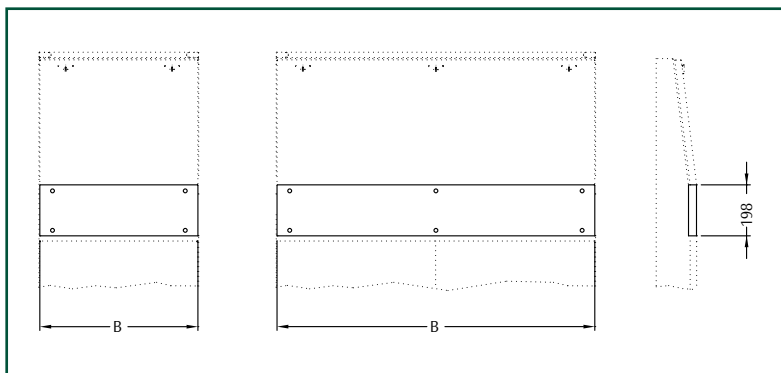
### SUPPLY

Enclosure with:

- upper panel
- sealing gasket
- mounting accessories.

SHELF		
EUME CODE	CABINET WIDTH	B
EUME000600AL	600	600
EUME000800AL	800	800
EUME001200AL	1200	1200
EUME001600AL	1600	1600

Control desk



## PANEL EUPN

### CHARACTERISTICS

Manufactured from 1.5 mm thick sheet steel.

### PAINT FINISH

Colour: RAL 7035 textured finish.

### SUPPLY

Includes 1 piece with mounting accessories.

PANEL		
EUPN CODE	CABINET WIDTH	B
EUPN000600	600	594
EUPN000800	800	794
EUPN001200	1200	1194
EUPN001600	1600	1594

## FRONT INSERTED MOUNTING PLATE EUPR/EUPA

Manufactured from 2.5 mm thick sendzimir sheet steel. For L>1400: Mounting plate manufactured with two parts with horizontal union and stiffening omega.

**Note:** to be ordered separately: mounting plate kit WTKB-002.

**Note:** for the mounting plate H=800, in depth profile WTPR and mounting accessories WTSF-001CP have to be ordered separately.

### PROFILES

WTPR CODE	CABINET DEPTH
WTPR-050040CP	400
WTPR-050050CP	500



## MODULAR PLINTH EUZE

### CHARACTERISTICS

Corner pieces manufactured from 2.5 mm thick press bent sheet steel, with PVC front covers caps. Front and side crosspieces manufactured from 2.0 mm thick press bent sheet steel.

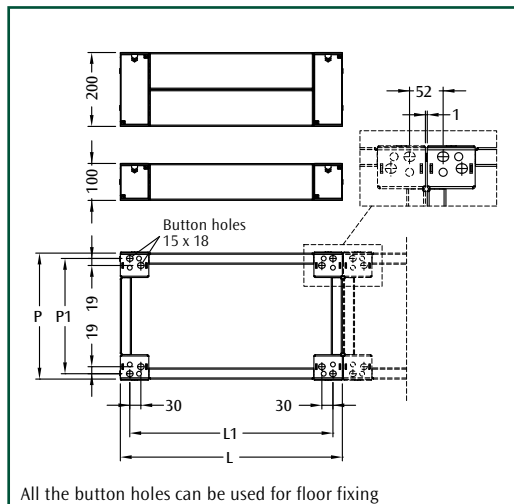
### PAINT FINISH

ETA standard epoxy polyester powder coating.  
Colour: RAL 5020 textured finish.

### SUPPLY

The modular plinth is made up of:

- corner pieces: supply includes 4 pieces complete with front covers and mounting hardware
- front/rear crosspieces: supply includes 2 pieces
- side crosspieces: supply includes 2 pieces.



## MOUNTING PLATE

EUPR / EUPA CODE	CABINET WIDTH	MOUNTING PLATE DIMENSIONS	
		L	H
EUPR-060080	600	485	800
EUPR-080080	800	685	800
EUPR-120080	1200	1085	800
EUPR-160080	1600	1485	800
EUPA-060140	600	485	1280
EUPA-080140	800	685	1280
EUPA-120140	1200	1085	1280
EUPA-160140	1600	1485	1280

## UNIVERSAL CORNER PIECES

EUZE CODE	DESCRIPTION
EUZE-A100	CORNER PIECES FOR PLINTH H=100
EUZE-A200	CORNER PIECES FOR PLINTH H=200

**Note:** supply includes 4 pieces with mounting accessories.

## SIDE CROSSPIECES FOR EUAL

EUZE CODE	DESCRIPTION	CROSS. LENGTH MM
EUZE-T0400T	PLINTH CROSSPIECES D=400	369
EUZE-T0500T	PLINTH CROSSPIECES D=500	469

## FRONT CROSSPIECES

EUZE CODE	DESCRIPTION	CROSS. LENGTH MM
EUZE-T0600	PLINTH CROSSPIECES W=600	444
EUZE-T0800	PLINTH CROSSPIECES W=800	644
EUZE-T1200	PLINTH CROSSPIECES W=1200	1044
EUZE-T1600	PLINTH CROSSPIECES W=1600	1444

## DIMENSIONAL SPECIFICATIONS

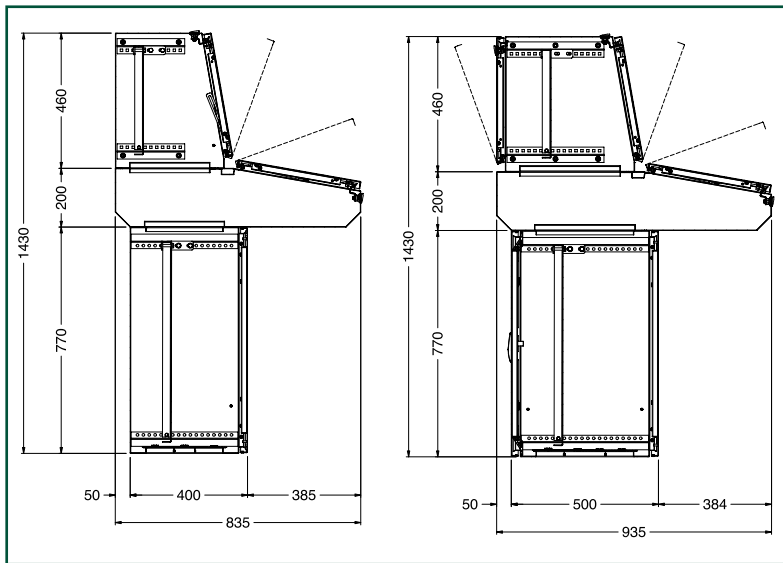
CABINET DIM.		PLINTH DIM.		CENT. DISTANCES	
L	P	L	P	L1	P1
600	400	600	503	549	474
600	500	600	603	549	574
800	400	800	503	749	474
800	500	800	603	749	574
1200	400	1200	503	1149	474
1200	500	1200	603	1149	574
1600	400	1600	503	1549	474
1600	500	1600	603	1549	574

**Note:** to order the front and side crosspieces H=200, add the suffix "D" to the code (i.e.: EUZE-T0400TD).

**Note:** supply includes 2 pieces.

Control desk

# MODULAR CONTROL DESKS



## BOX AE



### CHARACTERISTICS

Structure manufactured from 1.5 mm thick press bent sheet steel and door manufactured from 1.5 mm thick sheet steel with lateral stiffening cover and  $\varnothing$  3 mm double bar locking system. Mounting plate manufactured from 2.5 mm thick sendzimir sheet steel.

### SUPPLY

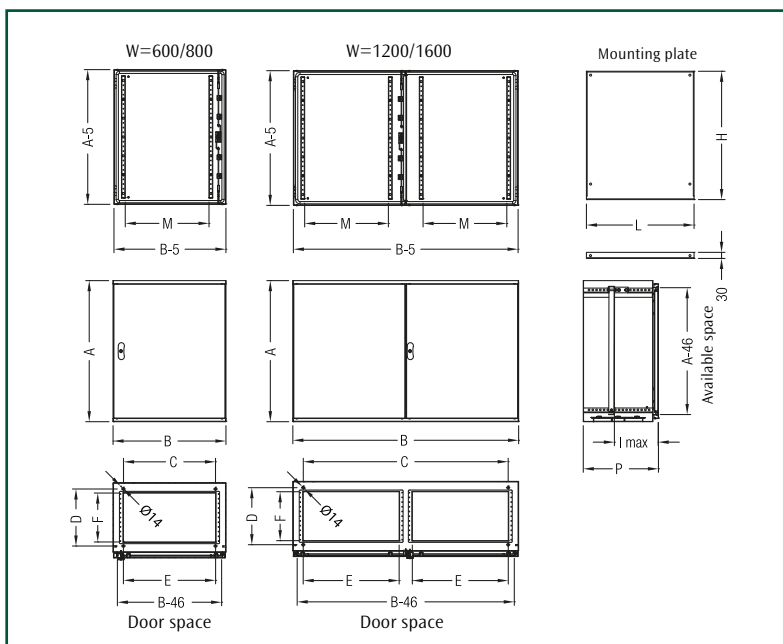
- enclosure
- front door (for base P=500 mm, front and rear door)
- mounting plate
- adjustable cable entry.

### PAINT FINISH

ETA standard epoxy polyester powder coating. Colour: RAL 7035 textured finish.

### PROTECTION RATING

- IP55 complying with IEC EN62208; EN62262
- NEMA 12 complying with UL508A; UL50
- protection degree guaranteed by the two-component polyurethane foam seal
- impact resistance IK10 complying with IEC EN62208; EN62262.



Control desk

## BOX AE

AE CODE	DIMENSIONS			FLOOR FIXING		CABLE ENTRY		DOOR SPACE		MOUNTING PLATE	
	B	A	P	C	D	E	F	M	L	H	I MAX
AE601	600	770	400	489	303	490	260	445	530	684	358
AE802	800	770	400	689	303	690	260	645	730	684	358
AE123	1200	770	400	1089	303	510 (x 2)	260	445	1130	684	358
AE164	1600	770	400	1489	303	710 (x 2)	260	645	1530	684	358
AE8025	800	770	500	689	373	690	330	645	730	684	425
AE1235	1200	770	500	1089	373	510 (x 2)	330	445	1130	684	425
AE1645	1600	770	500	1489	373	710 (x 2)	330	645	1530	684	425

## SHELF LE



### CHARACTERISTICS

Enclosure manufactured from 1.5 mm press bent sheet steel. Upper panel manufactured from 2.0 mm thick sheet steel with  $\varnothing$  3 mm double bar locking system, sendzimir rails and gas springs to support lid and avoiding accidental closing.

### SUPPLY

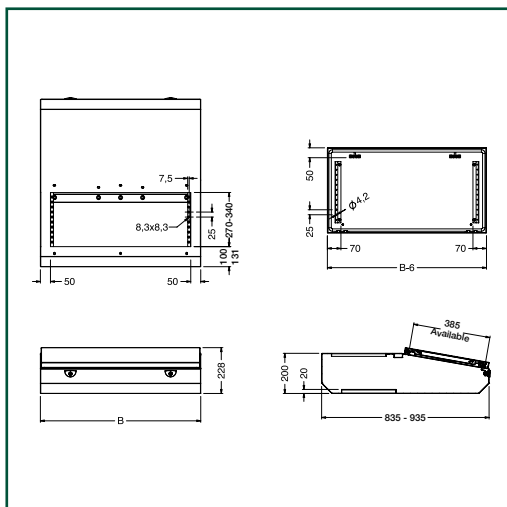
- enclosure
- upper panel
- rails to mount supplementary mounting plate
- sealing gasket
- mounting accessories.

### PAINT FINISH

ETA standard epoxy polyester powder coating.  
Colour: RAL 7035 textured finish.

### PROTECTION

- IP55 complying with IEC EN62208; EN62262
- NEMA 12 complying with UL508A; UL50
- protection degree guaranteed by the two-component polyurethane foam seal
- impact resistance IK10 complying with IEC EN62208; EN62262.



### SHELF

LE CODE	B	P	NO. OF LOCKS
LE601	600	400	2
LE802	800	400	2
LE123	1200	400	2
LE164	1600	400	3
LE8025	800	500	2
LE1235	1200	500	2
LE1645	1600	500	3

## UPPER PART PE



### CHARACTERISTICS

Structure manufactured from 1.5 mm thick press bent sheet steel. Mounting plate manufactured from 2.5 mm thick zincpassivated rails for mounting plate adjustment. Door manufactured from 2.0 mm thick sheet steel complete with sendzimir vertical rails, mechanical stop and  $\varnothing$  3 mm double bar locking system.

### SUPPLY

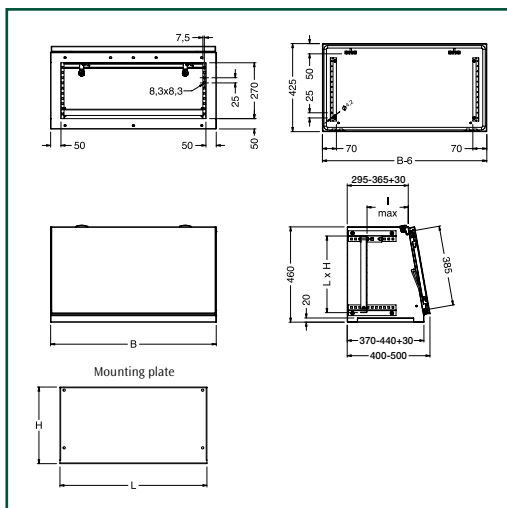
- enclosure
- front door (for upper part P=500 mm, front door and rear cover)
- mounting plate
- sealing gasket
- mounting accessories.

### PAINT FINISH

ETA standard epoxy polyester powder coating.  
Enclosure, door and panel: colour RAL 7035 textured finish.

### PROTECTION RATING

- IP55 complying with IEC EN62208; EN62262
- NEMA 12 complying with UL508A; UL50
- protection degree guaranteed by the two-component polyurethane foam seal
- impact resistance IK10 complying with IEC EN62208; EN62262.



### UPPER PART

PE CODE	B	P	L	H	I MAX	NO. OF LOCKS
PE601	600	400	510	370	250	2
PE802	800	400	710	370	250	2
PE123	1200	400	1110	370	250	2
PE164	1600	400	1510	370	250	3
PE8025	800	500	710	370	335	2
PE1235	1200	500	1110	370	335	2
PE1645	1600	500	1510	370	335	3

Control desk



## SHELF ME



### CHARACTERISTICS

Enclosure manufactured from 1.5 mm thick press bent sheet steel. Upper panel manufactured from 2.0 mm thick sheet steel with  $\varnothing 3$  mm double bar locking system, sendzimir rails and gas springs to avoid accidental closing.

### SUPPLY

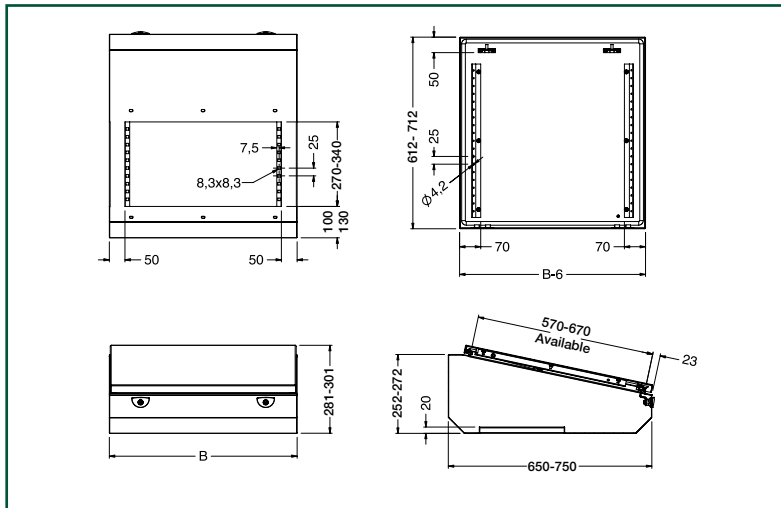
- enclosure
- panel
- sealing gasket
- mounting accessories.

### PAINT FINISH

ETA standard epoxy polyester powder coating.  
Colour: RAL 7035 textured finish.

### PROTECTION RATING

- IP55 complying with IEC EN62208; EN62262
- NEMA 12 complying with UL508A; UL50
- protection degree guaranteed by the two-component polyurethane foam seal
- impact resistance IK10 complying with IEC EN62208; EN62262.



## SHELF

ME CODE	B	P	NO. OF LOCKS
ME601	600	400	2
ME802	800	400	2
ME123	1200	400	2
ME164	1600	400	3
ME8025	800	500	2
ME1235	1200	500	2
ME1645	1600	500	3

## MODULAR PLINTH EUZE

### CHARACTERISTICS

Corner pieces manufactured from 2.5 mm thick press bent sheet steel, with PVC front covers caps. Front and side crosspieces manufactured from 2.0 mm thick press bent sheet steel.

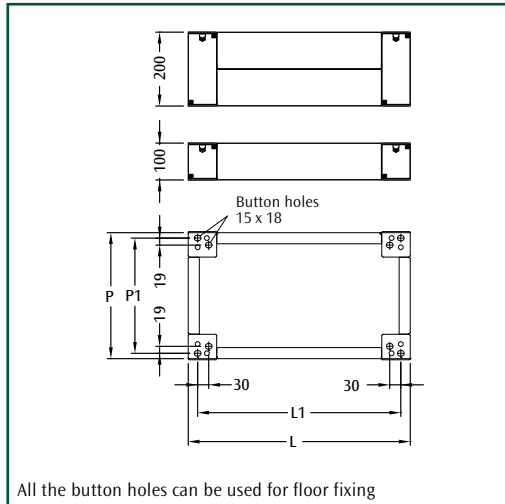
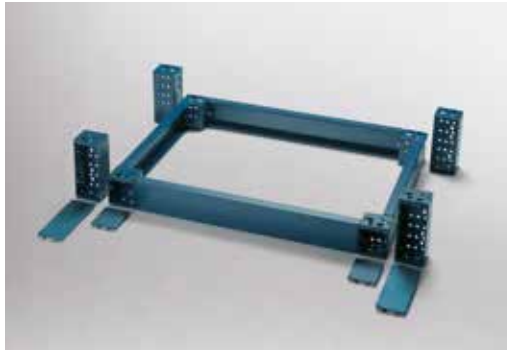
### PAINT FINISH

ETA standard epoxy polyester powder coating.  
Colour: RAL 5020 textured finish.

### SUPPLY

The modular plinth is made up of:

- corner pieces: supply includes 4 pieces complete with front covers and mounting hardware
- front/rear crosspieces: supply includes 2 pieces
- side crosspieces: supply includes 2 pieces.



### UNIVERSAL CORNER PIECES

EUZE CODE	DESCRIPTION
EUZE-A100	CORNER PIECES FOR PLINTH H=100
EUZE-A200	CORNER PIECES FOR PLINTH H=200

**Note:** supply includes 4 pieces with mounting accessories.

### FRONT CROSSPIECES

EUZE CODE	DESCRIPTION	CROSS. LENGTH MM
EUZE-T0600	PLINTH CROSSPIECES W=600	444
EUZE-T0800	PLINTH CROSSPIECES W=800	644
EUZE-T1200	PLINTH CROSSPIECES W=1200	1044
EUZE-T1600	PLINTH CROSSPIECES W=1600	1444

**Note:** supply includes 2 pieces.

**Note:** to order the front crosspieces H=200, add the suffix "D" to the code (i.e.: EUZE-T0600D).

### AE SIDE CROSSPIECES

EUZE CODE	DESCRIPTION	CROSS. LENGTH MM
EUZE-T0400C	PLINTH CROSSPIECES D=400	236
EUZE-T0500B	PLINTH CROSSPIECES D=500	306

**Note:** supply includes 2 pieces.

**Note:** to order the side crosspieces H=200, add the suffix "D" to the code (i.e.: EUZE-T0400CD).

### DIMENSIONAL SPECIFICATIONS

CONTROL DESK DIM.		PLINTH DIM.		CENT. DISTANCES	
L	P	L	P	L1	P1
600	400	600	370	549	341
800	400	800	370	749	341
800	500	800	440	749	411
1200	400	1200	370	1149	341
1200	500	1200	440	1149	411
1600	400	1600	370	1549	341
1600	500	1600	440	1549	411



# MONOBLOC CONTROL DESKS



## CHARACTERISTICS

Enclosure manufactured from 1.5 mm thick press bent sheet steel provided with front and rear doors manufactured from 1.5 mm thick sheet steel with lateral stiffening cover, and upper panel manufactured from 1.5 mm thick sheet steel complete with sendzimir rails and gas springs to avoid accidental closing. Adjustable in depth mounting plate manufactured from 2.5 mm thick sendzimir sheet steel.

## PAINT FINISH

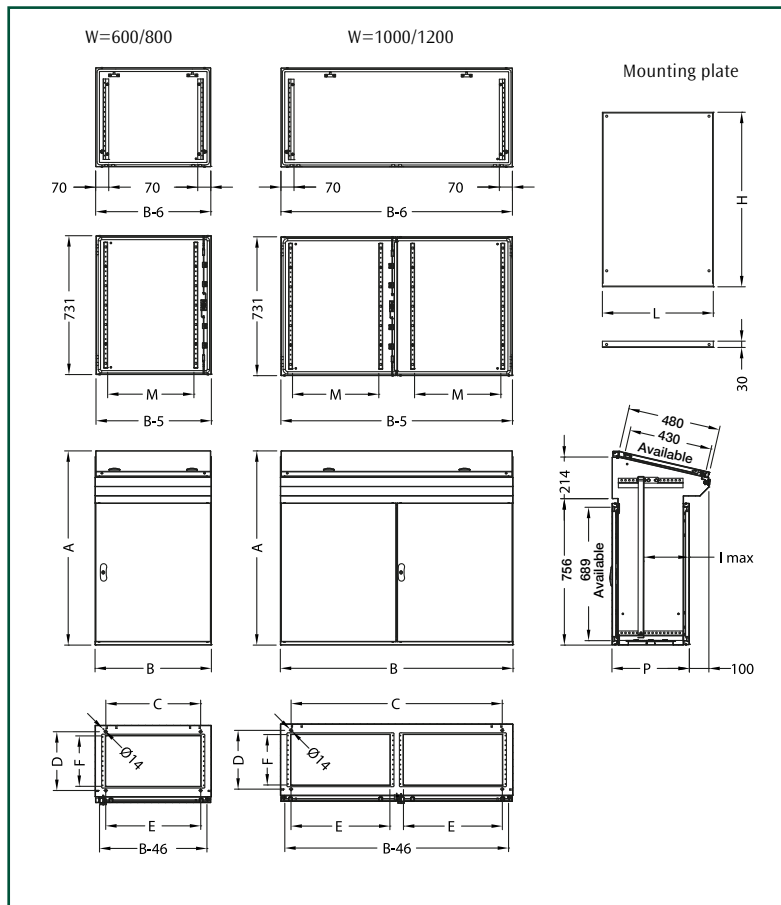
ETA standard epoxy polyester powder coating. Structure, doors, upper panel: colour RAL 7035 textured finish.

## SUPPLY

- control desk
- doors complete with  $\varnothing$  3 mm double bar closing system
- upper panel complete with closing system
- mounting plate
- adjustable cable entry.

## PROTECTION RATING

- IP55 complying with IEC EN62208; EN62262
- NEMA 12 complying with UL508A, UL50
- impact resistance IK10 complying with IEC EN62208; EN62262.



Control desk

## CONTROL DESK

SBA CODE	DIMENSIONS			FLOOR FIXING		CABLE ENTRY		DOOR SPACE	MOUNTING PLATE		
	B	A	P	C	D	E	F	M	L	H	I MAX
SBA601	600	1000	400	489	273	490	230	445	530	830	334
SBA801	800	1000	400	689	273	690	230	645	730	830	334
SBA001	1000	1000	400	889	273	410 (x2)	230	345	930	830	334
SBA201	1200	1000	400	1089	273	510 (x2)	230	445	1130	830	334

## MODULAR PLINTH EUZE

### CHARACTERISTICS

Corner pieces manufactured from 2.5 mm thick press bent sheet steel, with PVC front covers caps. Front and side crosspieces manufactured from 2.0 mm thick press bent sheet steel.

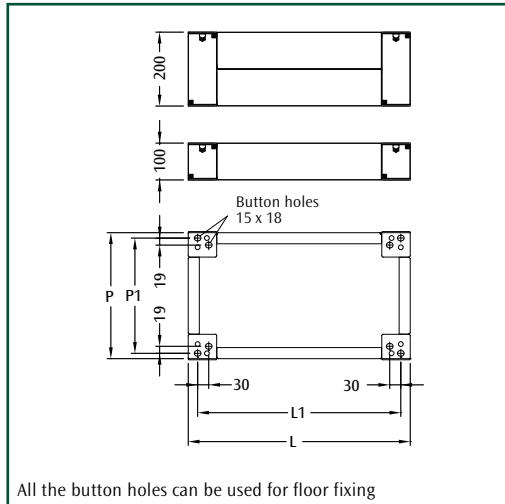
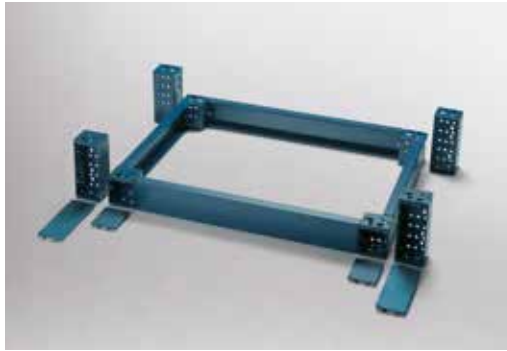
### PAINT FINISH

ETA standard epoxy polyester powder coating.  
Colour: RAL 5020 textured finish.

### SUPPLY

The modular plinth is made up of:

- corner pieces: supply includes 4 pieces complete with front covers and mounting hardware
- front/rear crosspieces: supply includes 2 pieces
- side crosspieces: supply includes 2 pieces.



### UNIVERSAL CORNER PIECES

EUZE CODE	DESCRIPTION
EUZE-A100	CORNER PIECES FOR PLINTH H=100
EUZE-A200	CORNER PIECES FOR PLINTH H=200

**Note:** supply includes 4 pieces with mounting accessories.

### UNIVERSAL FRONT CROSSPIECES

EUZE CODE	DESCRIPTION	CROSS. LENGTH MM
EUZE-T0600	FRONT CROSS. FOR PLINTH W=600	444
EUZE-T0800	FRONT CROSS. FOR PLINTH W=800	644
EUZE-T1000	FRONT CROSS. FOR PLINTH W=1000	844
EUZE-T1200	FRONT CROSS. FOR PLINTH W=1200	1044

**Note:** supply includes 2 pieces.

**Note:** to order the front crosspieces H=200 add the suffix "D" to the code (i.e.: EUZE-T0600D).

### SBA SIDE CROSSPIECES

EUZE CODE	DESCRIPTION	CROSS. LENGTH MM
EUZE-T0400B	SIDE CROSS. PLINTH D=400	206

**Note:** supply includes 2 pieces.

**Note:** to order the side crosspieces H=200, add the suffix "D" to the code (i.e.: EUZE-T0400BD).

### DIMENSIONAL SPECIFICATIONS

CONTROL DESK DIM.		PLINTH DIM.		CENT. DISTANCES	
L	P	L	P	L1	P1
600	400	600	340	549	311
800	400	800	340	749	311
1000	400	1000	340	949	311
1200	400	1200	340	1149	311

Control desk

# MONOBLOC CONTROL DESKS



## CHARACTERISTICS

Enclosure manufactured from 1.5 mm thick press bent sheet steel provided with front door manufactured from 1.5 mm thick sheet steel with lateral stiffening cover, and upper panel manufactured from 1.5 mm thick sheet steel complete with sendzimir rails and gas springs.

Mounting plate manufactured from 2.5 mm thick sendzimir sheet steel mounted on the rear cover.

## PAINT FINISH

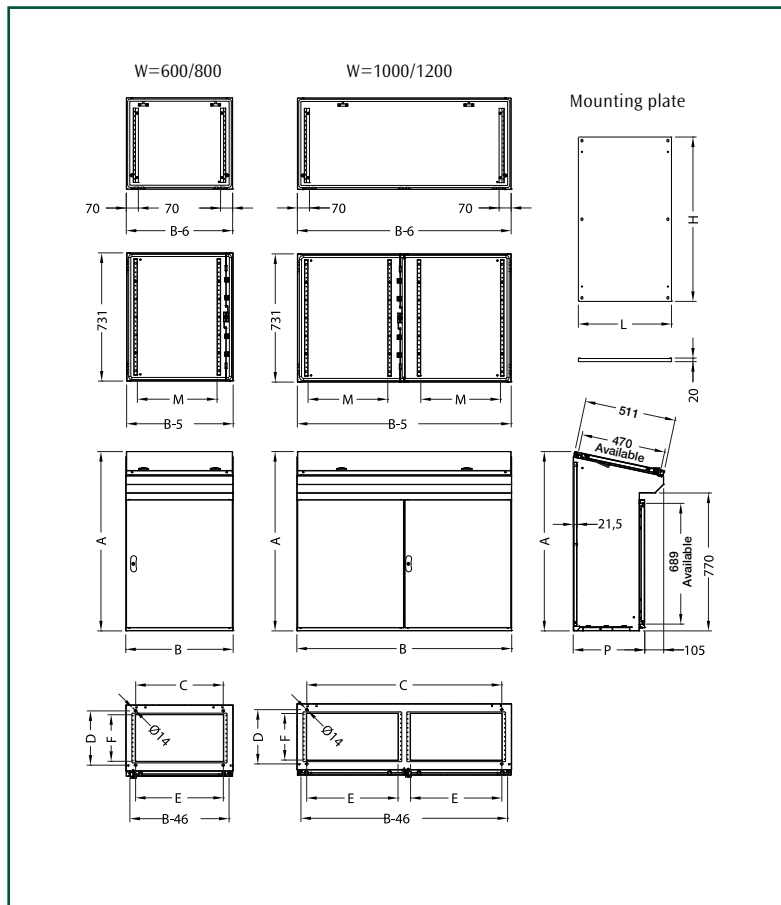
ETA standard epoxy polyester powder coating.  
Structure, doors, upper panel: colour RAL 7035 textured finish.

## SUPPLY

- control desk
- door complete with  $\varnothing$  3 mm double bar closing system
- upper panel complete with closing system
- mounting plate
- adjustable cable entry.

## PROTECTION RATING

- IP55 complying with IEC EN62208; EN62262
- NEMA 12 complying with UL508A, UL50
- impact resistance IK10 complying with IEC EN62208; EN62262.



Control desk

## CONTROL DESK

ZBA CODE	DIMENSIONS			FLOOR FIXING		CABLE ENTRY		DOOR SPACE	MOUNTING PLATE	
	B	A	P	C	D	E	F	M	L	H
ZBA601	600	1000	400	489	303	490	260	445	520	918
ZBA801	800	1000	400	689	303	690	260	645	720	918
ZBA001	1000	1000	400	889	303	410 (x2)	260	345	920	918
ZBA201	1200	1000	400	1089	303	510 (x2)	260	445	1120	918

## MODULAR PLINTH EUZE

### CHARACTERISTICS

Corner pieces manufactured from 2.5 mm thick press bent sheet steel, with PVC front covers caps. Front and side crosspieces manufactured from 2.0 mm thick press bent sheet steel.

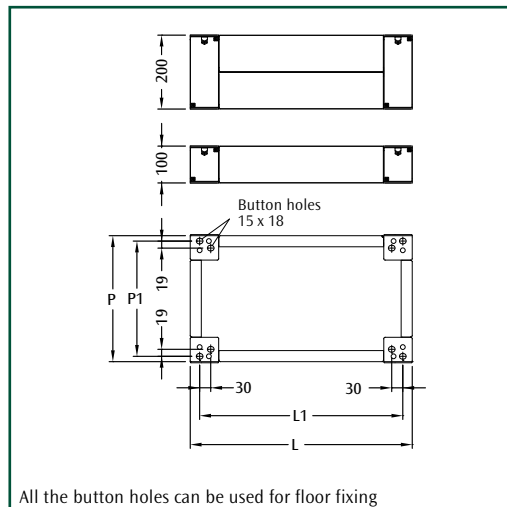
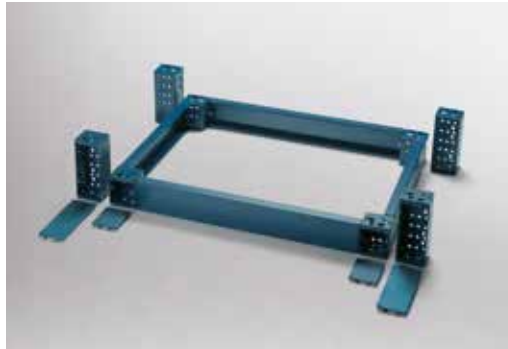
### PAINT FINISH

ETA standard epoxy polyester powder coating.  
Colour: RAL 5020 textured finish.

### SUPPLY

The modular plinth is made up of:

- corner pieces: supply includes 4 pieces complete with front covers and mounting hardware
- front/rear crosspieces: supply includes 2 pieces
- side crosspieces: supply includes 2 pieces.



## UNIVERSAL CORNER PIECES

EUZE CODE	DESCRIPTION
EUZE-A100	CORNER PIECES FOR PLINTH H=100
EUZE-A200	CORNER PIECES FOR PLINTH H=200

**Note:** supply includes 4 pieces with mounting accessories.

## UNIVERSAL FRONT CROSSPIECES

EUZE CODE	DESCRIPTION	CROSS. LENGTH MM
EUZE-T0600	FRONT CROSS. FOR PLINTH W=600	444
EUZE-T0800	FRONT CROSS. FOR PLINTH W=800	644
EUZE-T1000	FRONT CROSS. FOR PLINTH W=1000	844
EUZE-T1200	FRONT CROSS. FOR PLINTH W=1200	1044

**Note:** supply includes 2 pieces.

**Note:** to order the front crosspieces H=200 add the suffix "D" to the code (i.e.: EUZE-T0600D).

## ZBA SIDE CROSSPIECES

EUZE CODE	DESCRIPTION	CROSS. LENGTH MM
EUZE-T0400C	SIDE CROSS. PLINTH D=400	236

**Note:** supply includes 2 pieces.

**Note:** to order the side crosspieces H=200, add the suffix "D" to the code (i.e.: EUZE-T0400CD).

## DIMENSIONAL SPECIFICATIONS

CONTROL DESK DIM.		PLINTH DIM.		CENT. DISTANCE	
L	P	L	P	L1	P1
600	400	600	370	549	341
800	400	800	370	749	341
1000	400	1000	370	949	341
1200	400	1200	370	1149	341

Control desk



**CASING FOR PE**

To be mounted on the 500mm deep PE instead of the rear panel when a greater depth is required.

**CHARACTERISTICS**

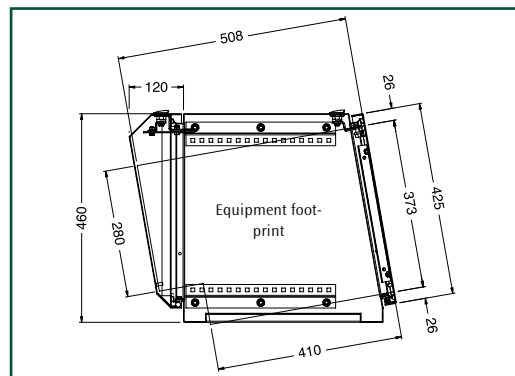
Manufactured from 1.5 mm thick sheet steel.

**PAINT FINISH**

ETA standard epoxy polyester powder coating.  
Colour: RAL 7035 textured finish.

**SUPPLY**

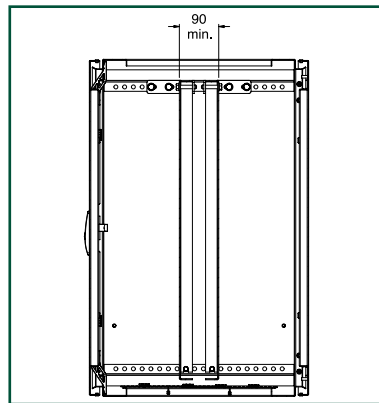
Includes 1 casing with closing system, sealing gasket and mounting accessories.



CASING PE	
PECF CODE	PE WIDTH
PECF8025	800
PECF1235	1200
PECF1645	1600



Control desk



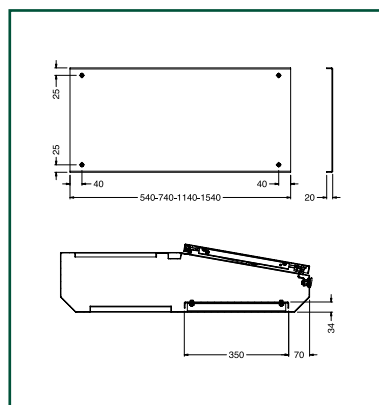
**MOUNTING PLATE (ADDITIONAL) FOR BASE AE**

Manufactured from 2.5 mm thick sendzimir sheet steel.

**SUPPLY**

Includes 1 piece complete with mounting accessories.

MOUNTING PLATE FOR AE	
PA4-AE CODE	AE WIDTH
PA4-AE825	800
PA4-AE235	1200
PA4-AE645	1600



**MOUNTING PLATE FOR SHELF LE**

Manufactured from 2.5 mm thick sendzimir sheet steel.

**SUPPLY**

Includes 1 piece complete with mounting accessories.

MOUNTING PLATE FOR LE	
PA4-LE CODE	LE WIDTH
PA4-LE015	600
PA4-LE025	800
PA4-LE235	1200
PA4-LE645	1600

## COVER TL FOR LE SHELF

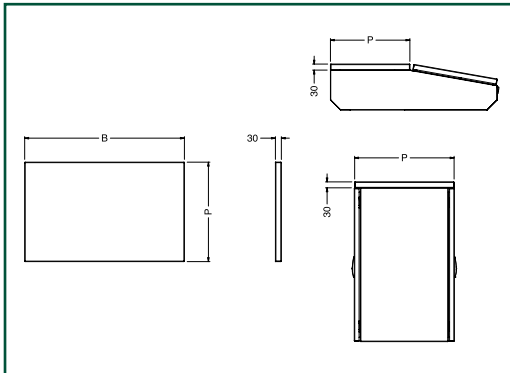
Manufactured from 2.5 mm thick sheet steel.

### PAINT FINISH

Colour: RAL 7035 textured finish.

### SUPPLY

Includes 1 piece complete with sealing gasket and mounting accessories.



### TL FOR LE D=400 MM

TL CODE	DIMENSIONS	
	B	P
TL601	600	398
TL802	800	398
TL123	1200	398
TL164	1600	398

### TL FOR LE D=500 MM

TL CODE	DIMENSIONS	
	B	P
TL8025	800	498
TL1235	1200	498
TL1645	1600	498

## HANDLE FOR CONTROL DESK

Manufactured from aluminium alloy.

Supply includes 1 piece complete with mounting accessories.

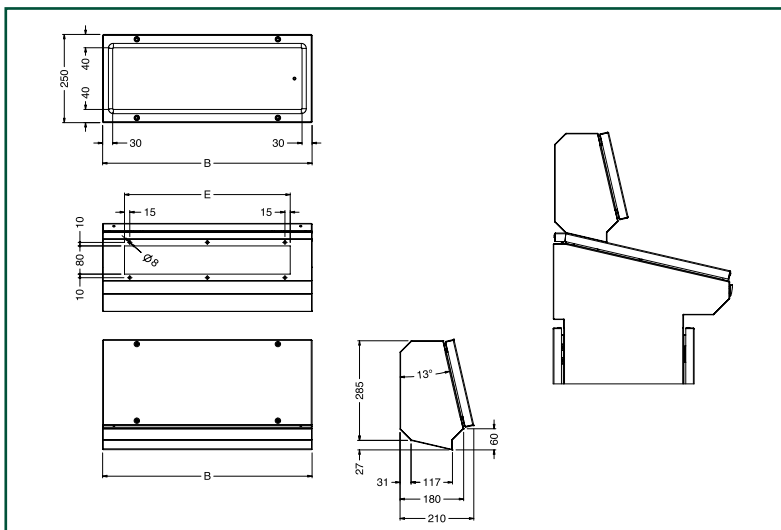


Control desk

### HANDLE

WA CODE	DESK WIDTH
WA-400	600
WA-410	800
WA-430	1000
WA-440	1200
WA-450	1600

## SPA UPPER PART

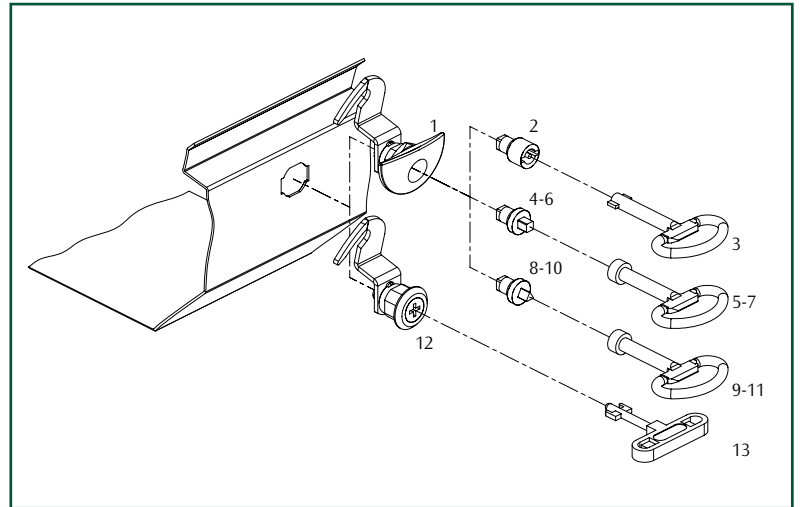


### SPA UPPER PART

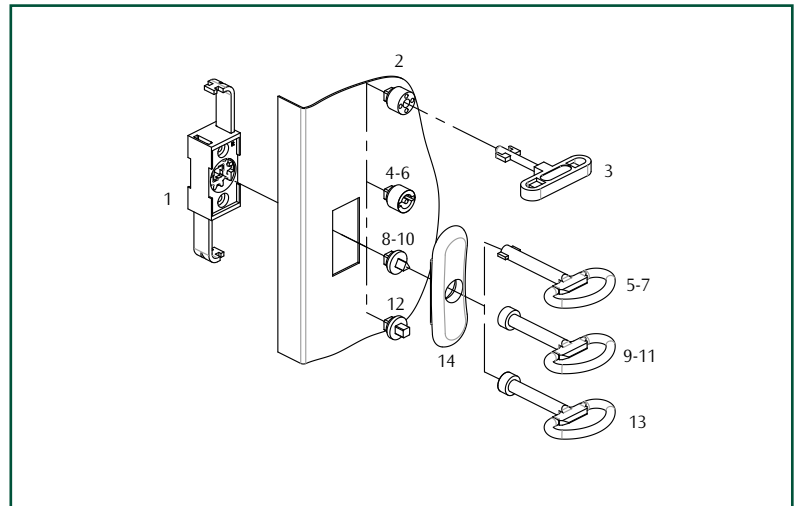
SPA CODE	DIMENSIONS	
	B	E
SPA601	594	470
SPA801	794	670
SPA001	994	870
SPA201	1194	1070

## LOCKING SYSTEMS

LOCKING SYSTEMS		
WE CODE	REF.	DESCRIPTION
WE251	1	LOCK
WE255	2	ETA INSERT
WE160	3	ETA KEY
WE260	4	INSERT $\varnothing$ 6 MM
WE263	5	KEY $\varnothing$ 6 MM
WE265	6	INSERT $\varnothing$ 7 MM
WE268	7	KEY $\varnothing$ 7 MM
WE270	8	INSERT $\varnothing$ 6,5 MM
WE273	9	KEY $\varnothing$ 6,5 MM
WE275	10	INSERT $\varnothing$ 8 MM
WE278	11	KEY $\varnothing$ 8 MM
WE209	12	FIAT LOCK
WE210	13	FIAT KEY



LOCKING SYSTEMS		
WE CODE	REF.	DESCRIPTION
WE010	1	ROD SYSTEM
WE080	2	FIAT INSERT
WE210	3	FIAT KEY
WE030	4	ETA INSERT $\varnothing$ 3 MM
WE160	5	ETA KEY $\varnothing$ 3 MM
WE040	6	ETA INSERT $\varnothing$ 5 MM
WE170	7	ETA KEY $\varnothing$ 5 MM
WE050	8	INSERT $\varnothing$ 7 MM
WE180	9	KEY $\varnothing$ 7 MM
WE060	10	INSERT $\varnothing$ 8 MM
WE190	11	KEY $\varnothing$ 8 MM
WE070	12	INSERT $\varnothing$ 7 MM
WE200	13	KEY $\varnothing$ 7 MM
WE021	14	ETA LOCK COVER



SUITE CABINETS E NUX  
MONOBLOC CABINETS E MOX  
COMPACT SOLUTIONS E COMP  
WALL-MOUNTING BOXES E COR  
ELECTRICAL ENCLOSURES COMPLYING WITH ATEX E COR  
TERMINAL BOXES E GRAN  
PUSHBUTTON BOXES SHX  
SOLUTIONS WITH SLOPED ROOF E COR  
MONOBLOC CONTROL DESKS ZBX  
MODULAR CONTROL DESKS

**SOLUTIONS  
FOR EXTREME  
APPLICATIONS**

**STAINLESS STEEL SOLUTIONS**

**OUTDOOR SOLUTIONS**

SINGLE WALL SOLUTIONS  
DOUBLE WALL SOLUTIONS

**EMC SOLUTIONS**

SUITE CABINETS  
E NUX  
WALL MOUNTING  
BOXES STE  
TERMINAL BOXES SDE





**e nux**  
STAINLESS STEEL

**e mox**  
STAINLESS STEEL

**e cor**  
STAINLESS STEEL

**e gran**  
STAINLESS STEEL

**e comp**  
STAINLESS STEEL

**e ram**  
STAINLESS STEEL

Stainless steel

For indoor and outdoor applications, where the main requirement is to offer a high resistance to harsh chemical and environmental factors, we propose AISI304L and AISI316L stainless steel solutions.

S  
U  
P  
E  
R

**EXTREME PROTECTION FOR HARSH ENVIRONMENTS**

**FOOD  
OIL & GAS  
CHEMICAL  
PETROCHEMICAL  
IN-SHORE  
MARINE  
ENVIRONMENT  
OFF-SHORE**

Certified welding process UNI EN15614 WPAR (Welding Procedure Approval Record) and WPS (Welding Procedure Specification).

Certification of the quality management system according to ATEX standard.

Highly qualified & well trained staff.

Customisation with holes, cut-outs, special dimension & professional assistance for special projects.

**IMQ**

DIRETTIVA ATEX



ISTITUTO ITALIANO DELLA SALDATURA  
ISO 15614-1



ISO 9001

## RESEARCH

Use of silicone seal for the ranges of stainless steel products.



## ADDED VALUE

Cabinet E NUX and boxes E COR provided with AISI316L stainless steel hinges. E NUX components: rear panel fixing brackets, side panel fixing brackets, door locking points, everything manufactured from stainless steel AISI316L.



## STRENGTH

E COR, E NUX, E MOX and E COMP front door, produced with formed corners.

E NUX structure proposed with the same high-performance constructive concepts of the sheet steel version.



## DESIGN

A new locking cover for boxes E COR with a double door, a functional and eye-catching handle used for cabinets: E NUX, E MOX and E COMP.



## SUSTAINABILITY

Innovative energy-saving laser technology for high precision welding in order to produce our structure E NUX.

## PROTECTION

Boxes E COR, cabinets E NUX and E MOX/E COMP doors manufactured from pre-satinized stainless steel sheet (AISI304L or AISI316L) covered with PVC film for additional protection and provided with new packaging.

## FUNCTIONALITY

Front door with a reduced dimension of the door angle, in order to permit the door opening in case of E COR boxes placed side by side. Easy assembly of E NUX suite cabinet thanks to the innovative orthogonal joint.

Stainless steel

## EASINESS

Boxes E COR supplied with a mounting plate that is provided with slots in the corner, to allow a simple installation.



**CHARACTERISTICS**

The profile used for uprights and crosspieces is unique, manufactured from stainless steel AISI304L (AISI316L on request), closed with continuous welding and free of sharp edges. The bottom is a single piece with box-type structure manufactured from press-bent welded profiles (in stainless steel AISI304L (AISI316L on request), while the frame corners are manufactured with AISI316L stainless steel orthogonal joints laser welded to vertical upright rails and horizontal rails for the roof and bottom. The union of the entire structure is obtained by 8 high-strength screws and positioning pins between the two parts of the orthogonal joint. Hinges in stainless steel AISI316L.

**SUPPLY**

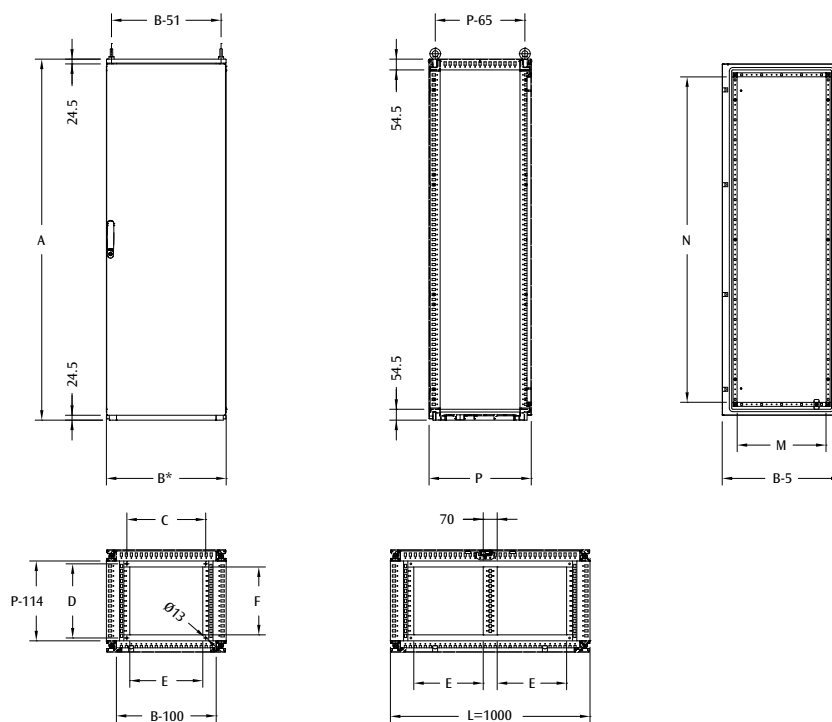
- structure manufactured from stainless steel sheet AISI304L (AISI316L on request)
- roof and rear panel manufactured from pre-satinized stainless steel sheet AISI304L (AISI316L on request)
- door with formed corners manufactured from pre-satinized stainless steel sheet AISI304L (AISI316L on request) provided with a stiffening tubular frame, silicone seal and  $\varnothing$  3 mm double bar lever-operated locking system
- bottom manufactured from stainless steel sheet AISI304L (AISI316L on request) with modular and adjustable cable entry (double cable entry for  $L \geq 1000$  mm) and gasket.

**PROTECTION RATING**

- IP55 complying with IEC EN62208; EN62262
- NEMA 12 complying with UL508A; UL50
- protection degree guaranteed by the two-component silicone foam seal
- impact resistance IK10 complying with IEC EN62208; EN62262.

**Note:** available on request: single door cabinet and suite cabinets, with protection rating IP > 55, NEMA 4X. For more information, see page 62.

Stainless steel

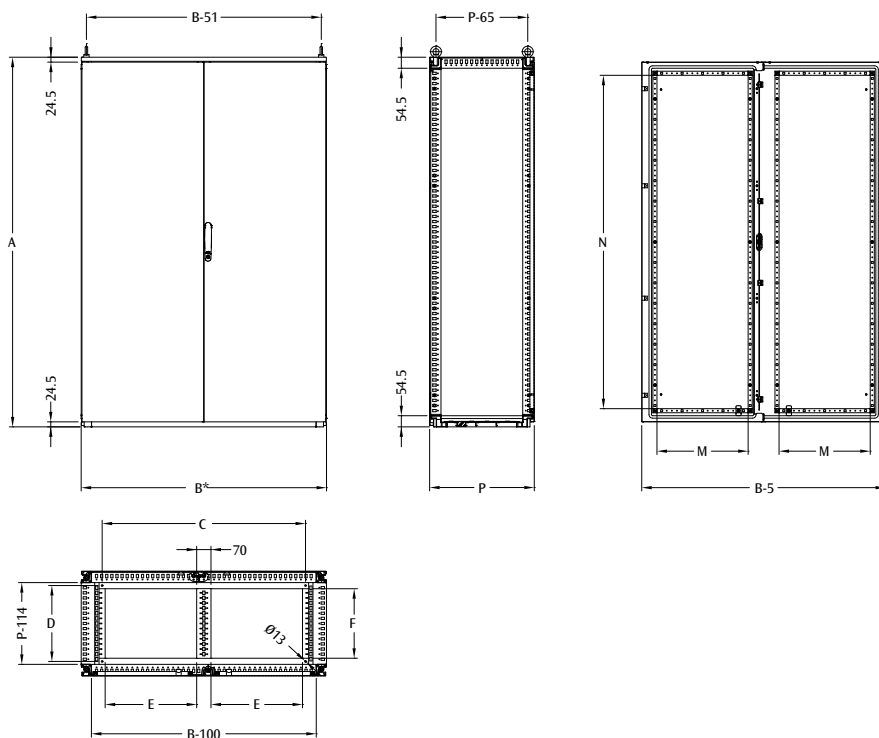


\* With side panels mounted, add 12 mm

**Note:** main accessories to be ordered separately:

- mounting plate EUPA, see page 209
- side panels EUFX, see page 211
- plinth EUZX, see page 212.

**Note:** available on request: stainless steel modular cabinet E NUX with internal doors and E NUX PC cabinet with sliding shelf.



\* With side panels mounted, add 12 mm

**Note:** main accessories to be ordered separately:

- mounting plate EUPA, see page 209
- side panels EUFX, see page 211
- plinth EUZX, see page 212.

### E NUX STAINLESS STEEL WITH SINGLE BLANK DOOR

E NUX CODE	DIMENSIONS			CABINET DIMENSIONS			FLOOR FIXING		CABLE ENTRY		DOOR SPACE	
	WIDTH	HEIGHT	DEPTH	B*	A	P	C	D	E	F	M	N
ENUX-061804PRX	600	1800	400	600	1809	414	395	271	365	240	445	1630
ENUX-061805PRX	600	1800	500	600	1809	514	395	371	365	340	445	1630
ENUX-062005PRX	600	2000	500	600	2009	514	395	371	365	340	445	1830
ENUX-062006PRX	600	2000	600	600	2009	614	395	471	365	440	445	1830
ENUX-081804PRX	800	1800	400	800	1809	414	595	271	565	240	645	1630
ENUX-081805PRX	800	1800	500	800	1809	514	595	371	565	340	645	1630
ENUX-082005PRX	800	2000	500	800	2009	514	595	371	565	340	645	1830
ENUX-082006PRX	800	2000	600	800	2009	614	595	471	565	440	645	1830
ENUX-101805PRX	1000	1800	500	1000	1809	514	795	371	765	340	845	1630
ENUX-101806PRX	1000	1800	600	1000	1809	614	795	471	765	440	845	1630
ENUX-102005PRX	1000	2000	500	1000	2009	514	795	371	765	340	845	1830
ENUX-102006PRX	1000	2000	600	1000	2009	614	795	471	765	440	845	1830

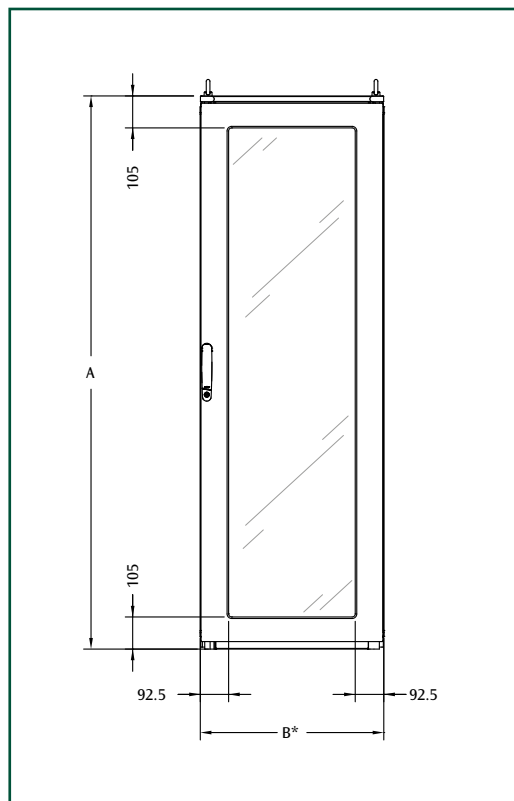
**Note:** to order a stainless steel enclosure in high grade AISI316L, add the suffix "H" to the code (i.e.: ENUX-061804PRXH).

### E NUX STAINLESS STEEL WITH DOUBLE BLANK DOOR

E NUX CODE	DIMENSIONS			CABINET DIMENSIONS			FLOOR FIXING		CABLE ENTRY		DOOR SPACE	
	WIDTH	HEIGHT	DEPTH	B*	A	P	C	D	E	F	M	N
ENUX-121804PRX	1200	1800	400	1200	1809	414	995	271	447	240	445	1630
ENUX-121805PRX	1200	1800	500	1200	1809	514	995	371	447	340	445	1630
ENUX-122005PRX	1200	2000	500	1200	2009	514	995	371	447	340	445	1830
ENUX-122006PRX	1200	2000	600	1200	2009	614	995	471	447	440	445	1830

**Note:** to order a stainless steel enclosure in high grade AISI316L, add the suffix "H" to the code (i.e.: ENUX-121804PRXH).

Stainless steel



**CHARACTERISTICS**

The profile used for uprights and crosspieces is unique, manufactured from stainless steel AISI304L (AISI316L on request), closed with continuous welding and free of sharp edges. The bottom is a single piece with box-type structure manufactured from press-bent welded profiles (in stainless steel AISI304L (AISI316L on request), while the frame corners are manufactured with AISI316L stainless steel orthogonal joints laser welded to vertical upright rails and horizontal rails for the roof and bottom. The union of the entire structure is obtained by 8 high-strength screws and positioning pins between the two parts of the orthogonal joint. Hinges in stainless steel AISI316L.

**SUPPLY**

- structure manufactured from stainless steel sheet AISI304L (AISI316L on request)
- roof and rear panel manufactured from pre-satinized stainless steel sheet AISI304L (AISI316L on request)
- door with formed corners manufactured from pre-satinized stainless steel sheet AISI304L (AISI316L on request) provided with a stiffening tubular frame, Plexiglas, silicone seal and ø 3 mm lever-operated double bar locking system
- bottom manufactured from stainless steel sheet AISI304L (AISI316L on request) with modular and adjustable cable entry (double cable entry for W=1000mm) and gasket.

**PROTECTION RATING**

- IP55 complying with IEC EN62208; EN62262
- NEMA 12 complying with UL508A; UL50
- protection degree guaranteed by the two-component silicone foam seal
- impact resistance IK10 complying with IEC EN62208; EN62262.

**E NUX STAIN. STEEL WITH PLEXI DOOR**

E NUX CODE	CABINET DIMENSIONS		
	B*	A	P
ENUX-061804PVX	600	1809	414
ENUX-061805PVX	600	1809	514
ENUX-062005PVX	600	2009	514
ENUX-062006PVX	600	2009	614
ENUX-081804PVX	800	1809	414
ENUX-081805PVX	800	1809	514
ENUX-082005PVX	800	2009	514
ENUX-082006PVX	800	2009	614
ENUX-101805PVX	1000	1809	514
ENUX-101806PVX	1000	1809	614
ENUX-102005PVX	1000	2009	514
ENUX-102006PVX	1000	2009	614

**Note:** to order a stainless steel enclosure in high grade AISI 316L, add the suffix "H" to the code (i.e.: ENUX-061804PVXH).

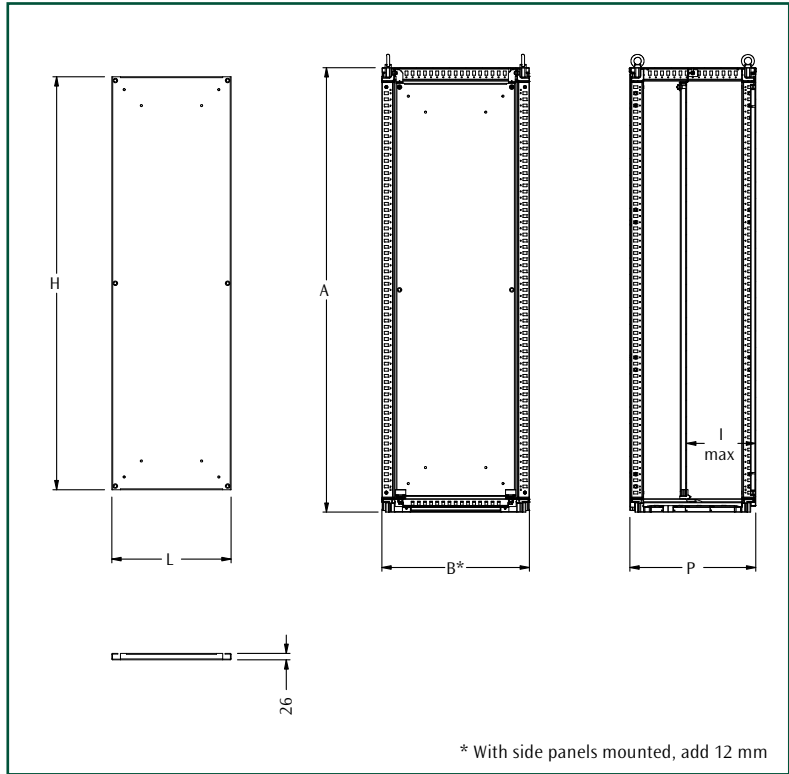
Stainless steel

**FRONT INSERTED MOUNTING PLATE EUPA**

**CHARACTERISTICS**

Manufactured from sendzimir sheet steel:

- thickness 2.5 mm for L<1000
- thickness 3.0 mm for L≥1000.



MOUNTING PLATE W=600						
EUPA CODE	CABINET DIMENSIONS			MOUNTING PLATE DIM.		
	B*	A	P	L	H	I MAX
EUPA-060180	600	1809	414	485	1680	350
EUPA-060180	600	1809	514	485	1680	450
EUPA-060180	600	1809	614	485	1680	550
EUPA-060200	600	2009	414	485	1880	350
EUPA-060200	600	2009	514	485	1880	450
EUPA-060200	600	2009	614	485	1880	550

MOUNTING PLATE W=1000						
EUPA CODE	CABINET DIMENSIONS			MOUNTING PLATE DIM.		
	B*	A	P	L	H	I MAX
EUPA-100180	1000	1809	414	885	1680	350
EUPA-100180	1000	1809	514	885	1680	450
EUPA-100180	1000	1809	614	885	1680	550
EUPA-100200	1000	2009	414	885	1880	350
EUPA-100200	1000	2009	514	885	1880	450
EUPA-100200	1000	2009	614	885	1880	550

MOUNTING PLATE W=800						
EUPA CODE	CABINET DIMENSIONS			MOUNTING PLATE DIM.		
	B*	A	P	L	H	I MAX
EUPA-080180	800	1809	414	685	1680	350
EUPA-080180	800	1809	514	685	1680	450
EUPA-080180	800	1809	614	685	1680	550
EUPA-080200	800	2009	414	685	1880	350
EUPA-080200	800	2009	514	685	1880	450
EUPA-080200	800	2009	614	685	1880	550

MOUNTING PLATE W=1200						
EUPA CODE	CABINET DIMENSIONS			MOUNTING PLATE DIM.		
	B*	A	P	L	H	I MAX
EUPA-120180	1200	1809	414	1085	1680	350
EUPA-120180	1200	1809	514	1085	1680	450
EUPA-120180	1200	1809	614	1085	1680	550
EUPA-120200	1200	2009	414	1085	1880	350
EUPA-120200	1200	2009	514	1085	1880	450
EUPA-120200	1200	2009	614	1085	1880	550

Stainless steel

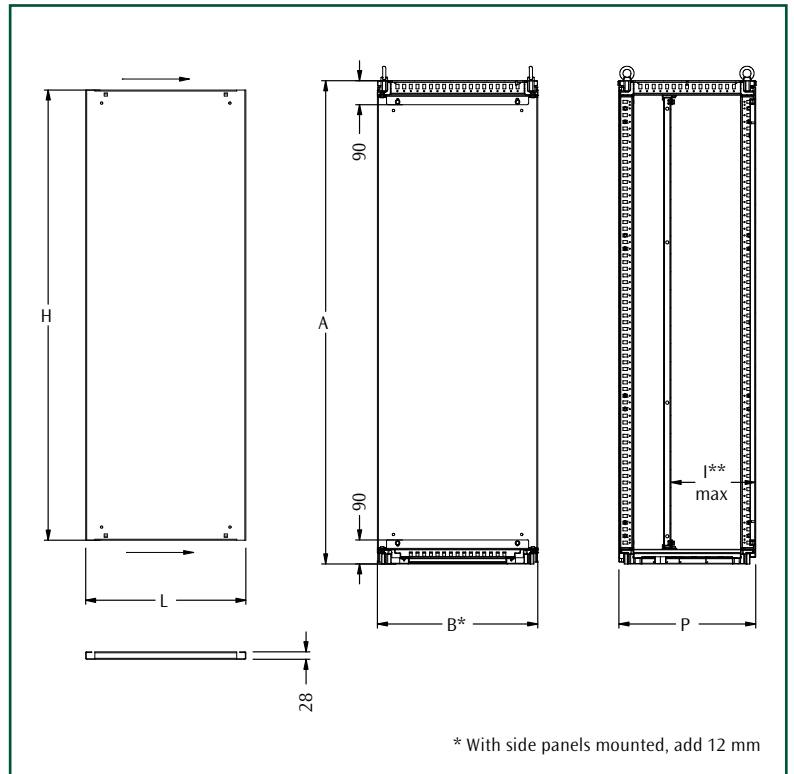
## SIDE INSERTED MOUNTING PLATE EUPL

### CHARACTERISTICS

Manufactured from 2.5 mm thick sendzimir sheet steel.

### SUPPLY

Includes mounting accessories and sliding guides.



Stainless steel

### MOUNTING PLATE W=600

EUPL CODE	CABINET DIMENSIONS			MOUNTING PLATE DIM.		
	B*	A	P	L	H	I MAX
EUPL-060180	600	1809	414	600	1685	315
EUPL-060180	600	1809	514	600	1685	415
EUPL-060180	600	1809	614	600	1685	515
EUPL-060200	600	2009	414	600	1885	315
EUPL-060200	600	2009	514	600	1885	415
EUPL-060200	600	2009	614	600	1885	515

### MOUNTING PLATE W=1000

EUPL CODE	CABINET DIMENSIONS			MOUNTING PLATE DIM.		
	B*	A	P	L	H	I MAX
EUPL-100180	1000	1809	414	1000	1685	315
EUPL-100180	1000	1809	514	1000	1685	415
EUPL-100180	1000	1809	614	1000	1685	515
EUPL-100200	1000	2009	414	1000	1885	315
EUPL-100200	1000	2009	514	1000	1885	415
EUPL-100200	1000	2009	614	1000	1885	515

### MOUNTING PLATE W=800

EUPL CODE	CABINET DIMENSIONS			MOUNTING PLATE DIM.		
	B*	A	P	L	H	I MAX
EUPL-080180	800	1809	414	800	1685	315
EUPL-080180	800	1809	514	800	1685	415
EUPL-080180	800	1809	614	800	1685	515
EUPL-080200	800	2009	414	800	1885	315
EUPL-080200	800	2009	514	800	1885	415
EUPL-080200	800	2009	614	800	1885	515

### MOUNTING PLATE W=1200

EUPL CODE	CABINET DIMENSIONS			MOUNTING PLATE DIM.		
	B*	A	P	L	H	I MAX
EUPL-120180	1200	1809	414	1200	1685	315
EUPL-120180	1200	1809	514	1200	1685	415
EUPL-120180	1200	1809	614	1200	1685	515
EUPL-120200	1200	2009	414	1200	1885	315
EUPL-120200	1200	2009	514	1200	1885	415
EUPL-120200	1200	2009	614	1200	1885	515

## SIDE PANELS EUFX

### CHARACTERISTICS

Manufactured from AISI 304L stainless steel sheet (AISI 316L on request) with rounded folding.

### SUPPLY

- two side panels
- rapid fasten couplers
- mounting accessories.

**Note:** to order the side panels for the mounting of 180° hinges, add the suffix "C" to the code (i.e.: EUFX-040180C).



### SIDE PANELS

EUFX CODE	DIMENSIONS	
	HEIGHT	DEPTH
EUFX-040180	1800	400
EUFX-050180	1800	500
EUFX-060180	1800	600
EUFX-050200	2000	500
EUFX-060200	2000	600

**Note:** to order the item in high grade AISI 316L, add the suffix "H" to the code. (i.e.: EUFX-040180H).

## INNER DOOR EUPIX

### CHARACTERISTICS

Manufactured from AISI304L stainless steel material (AISI 316L on request) and supplied complete with vertical uprights and horizontal rails.

### SUPPLY

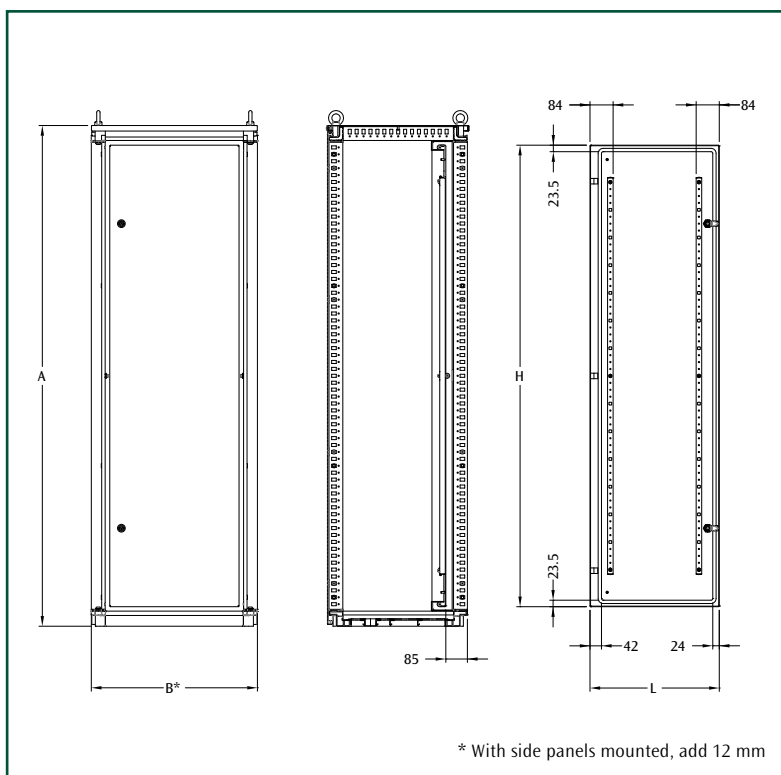
- door complete with  $\varnothing$  3 mm double bar locking system
- hinges
- vertical uprights and horizontal rails
- mounting accessories.

### INNER DOOR

EUPIX CODE	CABINET DIM.		INNER DOOR	
	B*	A	L	H
EUPIX-060180	600	1809	467	1667
EUPIX-060200	600	2009	467	1867
EUPIX-080180	800	1809	667	1667
EUPIX-080200	800	2009	667	1867
EUPIX-100180	1000	1809	867	1667
EUPIX-100200	1000	2009	867	1867

**Note:** To order the item in high grade AISI 316L, add the suffix "H" to the code. (i.e.: EUPIX-060180H).

**Note:** Profiles for inner door (see WTPP for H=1800 or 2000mm) on page 56) to be ordered separately.



Stainless steel





### DIMENSIONAL SPECIFICATIONS

CABINET DIM.		PLINTH DIM.		CENT. DISTANCES	
W	D	L	P	L1	P1
600	400	600	378	549	349
600	500	600	478	549	449
600	600	600	578	549	549
800	400	800	378	749	349
800	500	800	478	749	449
800	600	800	578	749	549
1000	500	1000	478	949	449
1000	600	1000	578	949	549
1200	400	1200	378	1149	349
1200	500	1200	478	1149	449
1200	600	1200	578	1149	549

### UNIVERSAL CORNER PIECES

EUZX CODE	DESCRIPTION
EUZX-A100	CORNER PIECES FOR PLINTH H=100
EUZX-A200	CORNER PIECES FOR PLINTH H=200

### UNIVERSAL FRONT/SIDE CROSSPIECES

EUZX CODE	DESCRIPTION	CROSS. LENGTH MM
EUZX-T0400	FRONT/SIDE CROSSPIECES FOR PLINTH W=400	244
EUZX-T0500	FRONT/SIDE CROSSPIECES FOR PLINTH W=500	344
EUZX-T0600	FRONT/SIDE CROSSPIECES FOR PLINTH W=600	444
EUZX-T0800	FRONT/SIDE CROSSPIECES FOR PLINTH W=800	644
EUZX-T1000	FRONT/SIDE CROSSPIECES FOR PLINTH W=1000	844
EUZX-T1200	FRONT/SIDE CROSSPIECES FOR PLINTH W=1200	1044

## MODULAR PLINTH EUZX

### CHARACTERISTICS

Corner pieces manufactured from AISI 304L stainless steel (AISI 316L on request), with front covers made from stainless steel. Front/side crosspieces manufactured from AISI 304L stainless steel (AISI 316L on request).

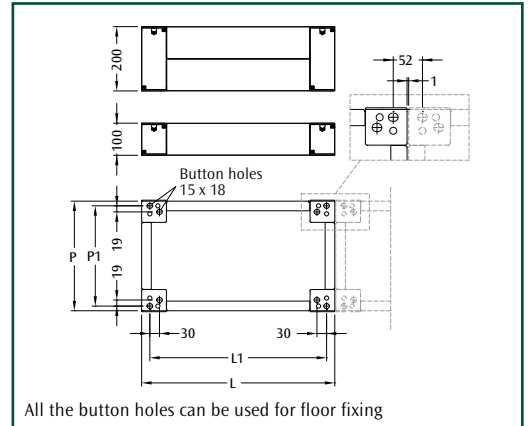
### SUPPLY

The modular plinth is made up of:

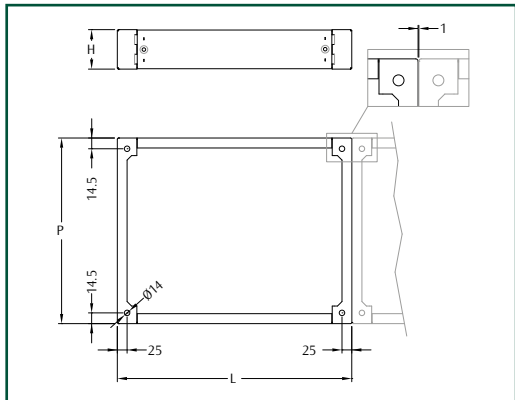
- corner pieces: supply includes 4 pieces complete with front covers and mounting hardware
- front/rear crosspieces: supply includes 2 pieces
- side crosspieces: supply includes 2 pieces.

**Note:** to order the item in high grade AISI316L, add the suffix "H" to the code (i.e. EUZX-T0400H).

**Note:** to order the plinth H=200, add the suffix D to the code (i.e. EUZX-T0400D).



Stainless steel



**Note:** to order the plinth H=200mm, order 2 packages of front crosspieces (i.e. Plinth H=200 mm dim. 800x500: 1 x EUZX-P0500D + 2 x EUZX-L0800).

## PLINTH EUZX

### CHARACTERISTICS

Front crosspieces and side crosspieces with integrated corners manufactured from 2.0 mm thick AISI 304L stainless steel (AISI 316L on request).

### SUPPLY

The plinth is made up of:

- front crosspieces: supply includes 2 pieces
- side crosspieces with integrated corners: supply includes 2 pieces with mounting screws.

### SIDE CROSSPIECES WITH INTEGRATED CORNERS

EUZX CODE	DESCRIPTION	CROSS. H. MM
EUZX-P0400	SIDE CROSSPIECES WITH INTEGRATED CORNERS FOR PLINTH D=400	100
EUZX-P0500	SIDE CROSSPIECES WITH INTEGRATED CORNERS FOR PLINTH D=500	100
EUZX-P0600	SIDE CROSSPIECES WITH INTEGRATED CORNERS FOR PLINTH D=600	100

### FRONT CROSSPIECES E NUX

EUZX CODE	DESCRIPTION
EUZX-L0600	FRONT. CROSSPIECES FOR PLINTH W=600
EUZX-L0800	FRONT. CROSSPIECES FOR PLINTH W=800
EUZX-L1000	FRONT. CROSSPIECES FOR PLINTH W=1000
EUZX-L1200	FRONT. CROSSPIECES FOR PLINTH W=1200

**Note:** to order the item in high grade AISI316L, add the suffix "H" to the code (i.e. EUZX-P0500H).

**Note:** to order the side cross-pieces with integrated corners H=200 mm, add the suffix "D" to the code (i.e. EUZX-P0400D).



### 180° CHROME HINGES EUCE-180001C

Supply includes 4 pieces (door requires machining to fit).

### LEVELLING FEET WTPX-005X

They can be applied on the cabinet structure or plinth. They make easier for floor cleaning and are height adjustable.

#### SUPPLY

Includes 4 pieces complete with pin in AISI 304L, plastic base, plate and mounting accessories.



### SHROUD FOR FILTER FANS

Installing a shroud over a filter fan and exhaust filter, the protection degree of the enclosure is maintained.

#### CHARACTERISTICS

Manufactured from stainless steel AISI 304L.

#### SUPPLY

Includes 1 piece with mounting accessories.

#### CONFORMITY AND APPROVAL



#### PROTECTION RATING

Type 1, 12, 3R with fan or filtering grid.

Note: punched panels to be ordered separately.

### EYEBOLTS M12 WTGS-001X

M12 lifting eyebolts manufactured from stainless steel.

#### SUPPLY

Includes 4 pieces.

### DOOR STOP WTFP-001X

It allows the mechanical stop of the door (90°), preventing the accidental closing.

#### SUPPLY

Includes 1 piece with mounting accessories.

### LIFTING BRACKETS WTSS-001

5 mm zincpassivated sheet steel lifting brackets. Supply includes 4 pieces.

(See page 70 for picture).

### JOINING KIT EUKU-002X

To be used to join two cabinets together. It is better to use lifting brackets WTSS-001 instead of lifting eyebolts.

#### CHARACTERISTICS

Manufactured from stainless steel AISI 316L.

#### SUPPLY

Includes union spacers, fixing accessories and gasket to guarantee IP protection degree.

(See page 67 for drawing).

### REINFORCING BRACKETS EUKU-003

To be used to grant more rigidity to cabinets joined in a suite.

#### CHARACTERISTICS

Manufactured from 4.0 mm thick zincpassivated sheet steel.

#### SUPPLY

Includes 4 pieces with mounting accessories.

(See page 66 for drawing).

### SHROUD FOR FILTER FANS

WTCVX CODE	FAN	FILTER
WTCVX-005	WT300B/WT300VB/WI200B/WI200VB	WT330B
WTCVX-010	WT305B/WT305VB	WT335B
WTCVX-015	WT310B/WT310VB	WT340B



### PLAN POCKET

Large size plan manufactured stainless steel sheet.

#### SUPPLY

Includes 1 piece complete with mounting screws.

### PLAN POCKET

WTTS CODE	DOOR WIDTH
WTTS-000600X	600
WTTS-000800X	800
WTTS-001000X	1000

Stainless steel cable glands are available (see pages 257 and 258).



Stainless steel



**CHARACTERISTICS**

Structure manufactured from 1.5 mm thick AISI304L stainless steel sheet with removable rear panel (AISI 316L on request). Door manufactured from AISI304L stainless steel sheet with stiffening frame (AISI 316L on request). Front inserted mounting plate manufactured from 2.5 mm thick sendzimir sheet steel (for E MOX  $W \geq 1000$ mm, EUPA mounting plate 3 mm thick). Hinges in AISI316L stainless steel.

**SUPPLY**

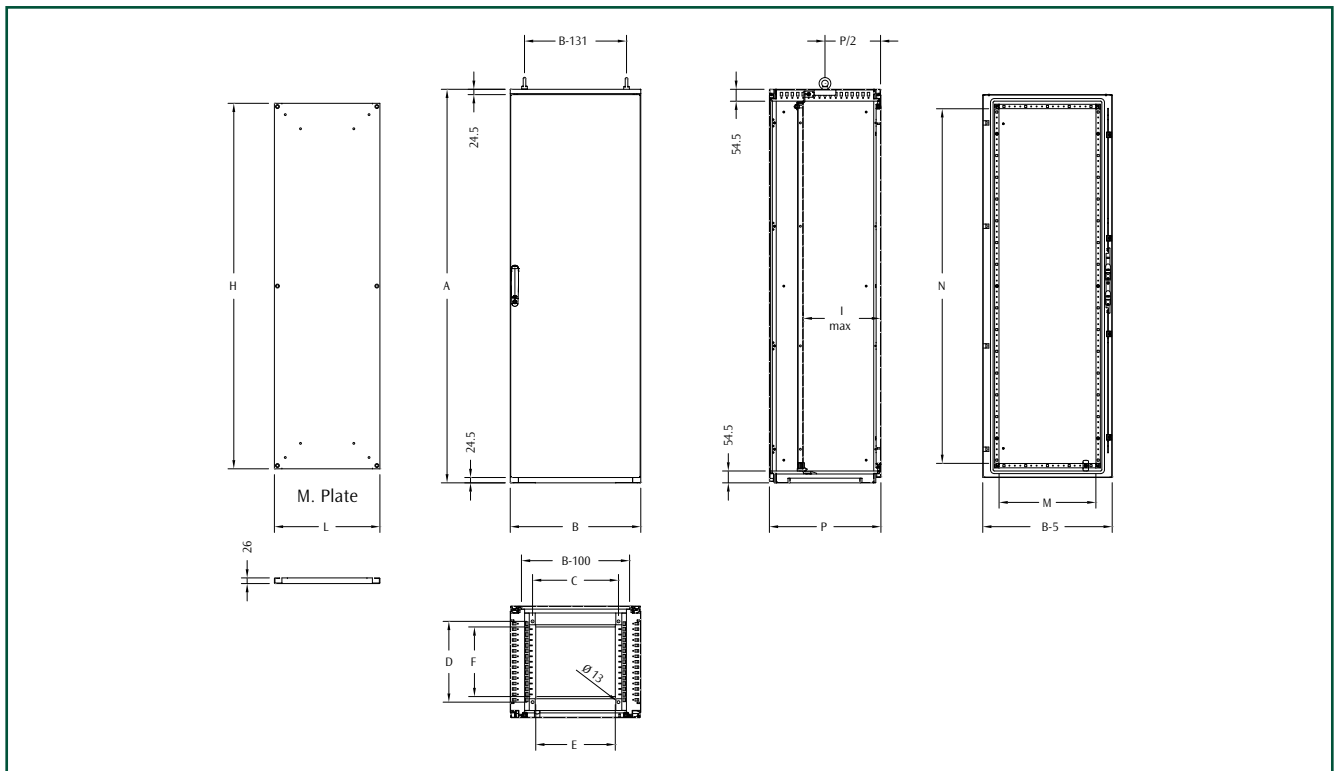
- cabinet structure with upper aesthetic profiles and rear panel
- door with formed corners complete with  $\varnothing 3$  mm lever-operated double bar locking system, silicone seal and tubular stiffening frame
- modular and adjustable cable entry with sealing gasket
- front-inserted mounting plate.

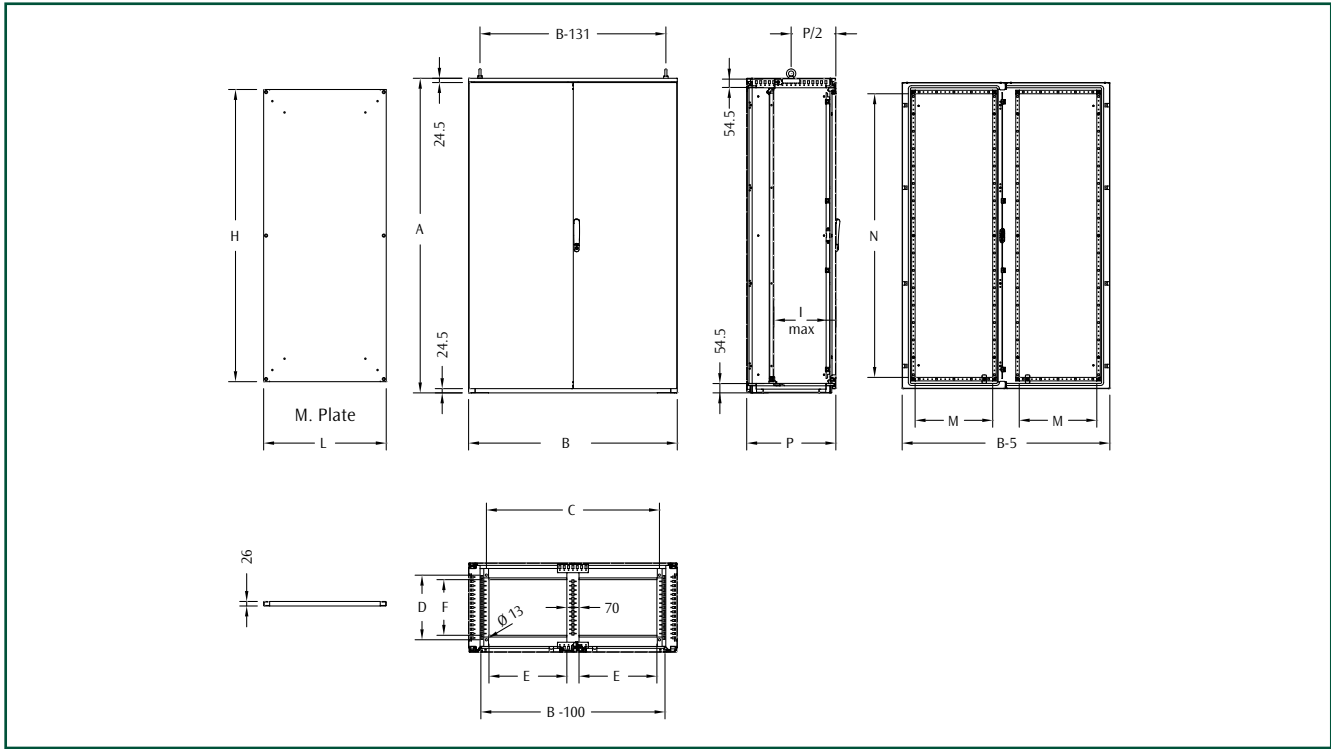
**PROTECTION RATING**

- IP66 (single blank door), IP55 plexi and double door) complying with IEC EN62208; EN62262
- NEMA 12 complying with UL508A; UL50\*
- protection degree guaranteed by the two-component silicone foam seal
- impact resistance IK10 complying with IEC EN62208; EN62262.

\* NEMA 4X available on request.

Stainless steel





### E MOX STAINLESS STEEL WITH SINGLE BLANK DOOR

E MOX CODE	CABINET DIMENSIONS			FLOOR FIXING		CABLE ENTRY		DOOR SPACE		MOUNTING PLATE DIM.		
	B	A	P	C	D	E	F	M	N	L	H	I
EMOX-061604PRX	600	1609	414	550	310	365	220	445	1430	485	1480	350
EMOX-061804PRX	600	1809	414	550	310	365	220	445	1630	485	1680	350
EMOX-061805PRX	600	1809	514	550	410	365	320	445	1630	485	1680	450
EMOX-062004PRX	600	2009	414	550	310	365	220	445	1830	485	1880	350
EMOX-062005PRX	600	2009	514	550	410	365	320	445	1830	485	1880	450
EMOX-081604PRX	800	1609	414	750	310	565	220	645	1430	685	1480	350
EMOX-081804PRX	800	1809	414	750	310	565	220	645	1630	685	1680	350
EMOX-081805PRX	800	1809	514	750	410	565	320	645	1630	685	1680	450
EMOX-082004PRX	800	2009	414	750	310	565	220	645	1830	685	1880	350
EMOX-082005PRX	800	2009	514	750	410	565	320	645	1830	685	1880	450
EMOX-101804PRX	1000	1809	414	950	310	765	220	845	1630	885	1680	350
EMOX-102004PRX	1000	2009	414	950	310	765	220	845	1830	885	1880	350

Stainless steel

**Note:** to order the item in high grade AISI 316L, add the suffix "H" to the code. (i.e.: EMOX-061604PRXH).

### E MOX STAINLESS STEEL WITH DOUBLE BLANK DOOR

E MOX CODE	CABINET DIMENSIONS			FLOOR FIXING		CABLE ENTRY		DOOR SPACE		MOUNTING PLATE DIM.		
	B	A	P	C	D	E	F	M	N	L	H	I
EMOX-121804PRX	1200	1809	414	995	310	447	220	445	1630	1085	1680	350
EMOX-121805PRX	1200	1809	514	995	410	447	320	445	1630	1085	1680	450
EMOX-122004PRX	1200	2009	414	995	310	447	220	445	1830	1085	1880	350

**Note:** to order the item in high grade AISI 316L, add the suffix "H" to the code. (i.e.: EMOX-121804PRXH).



**CHARACTERISTICS**

Structure manufactured from 1.5 mm thick AISI304L stainless steel sheet (AISI 316L on request). Door manufactured from 1.5 mm thick AISI304L stainless steel sheet (AISI316L on request). Front inserted mounting plate manufactured from 2.5 mm thick sendzimir sheet steel.

**SUPPLY**

Enclosure complete with:

- door with formed corners complete with  $\varnothing$  3 mm lever-operated double bar locking system, 2 stiffening sendzimir profiles and silicone seal
- adjustable cable entry
- front inserted mounting plate.

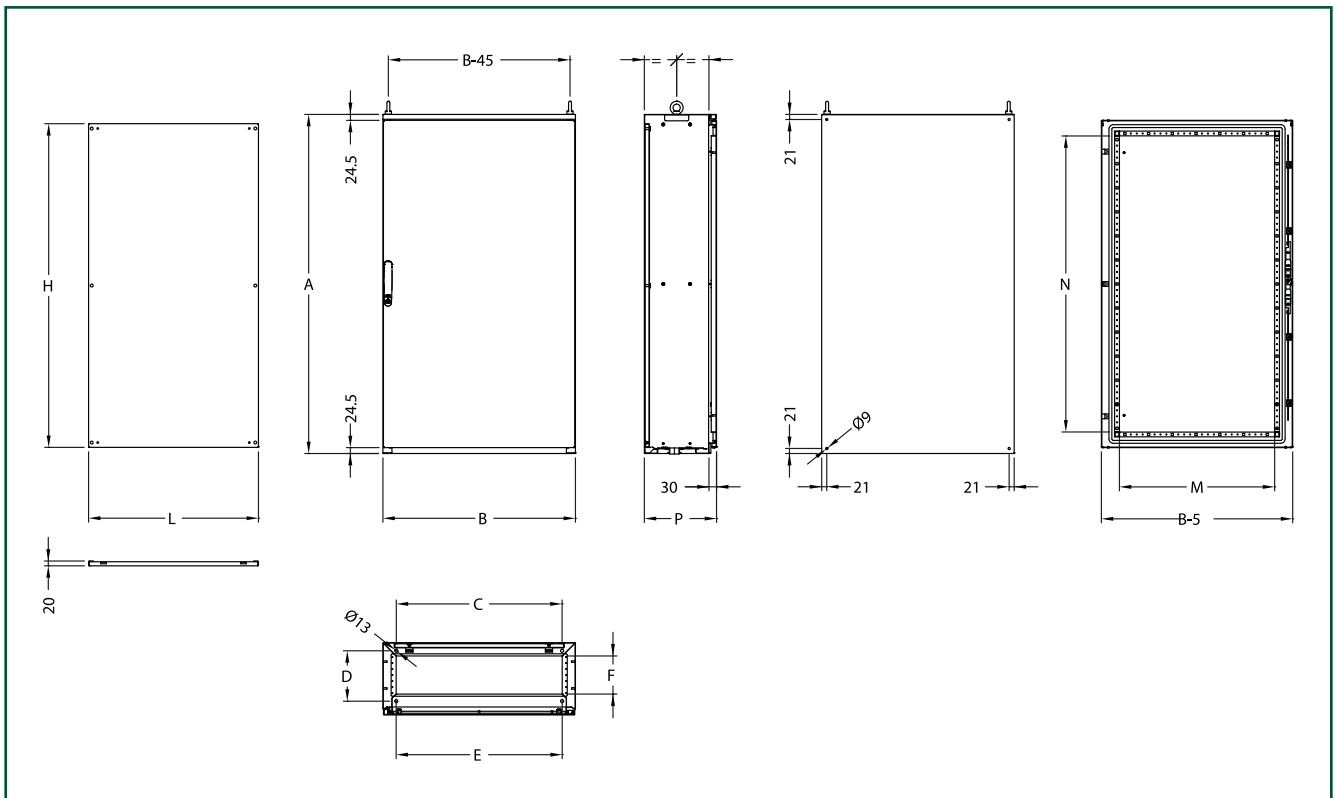
**PROTECTION RATING**

- IP55 complying with IEC EN62208; EN62262
- NEMA 12 complying with UL508A; UL50\*
- protection degree guaranteed by the two-component silicone foam seal
- impact resistance IK10 complying with IEC EN62208; EN62262.

**Note:** available on request.

\* NEMA 4X available on request.

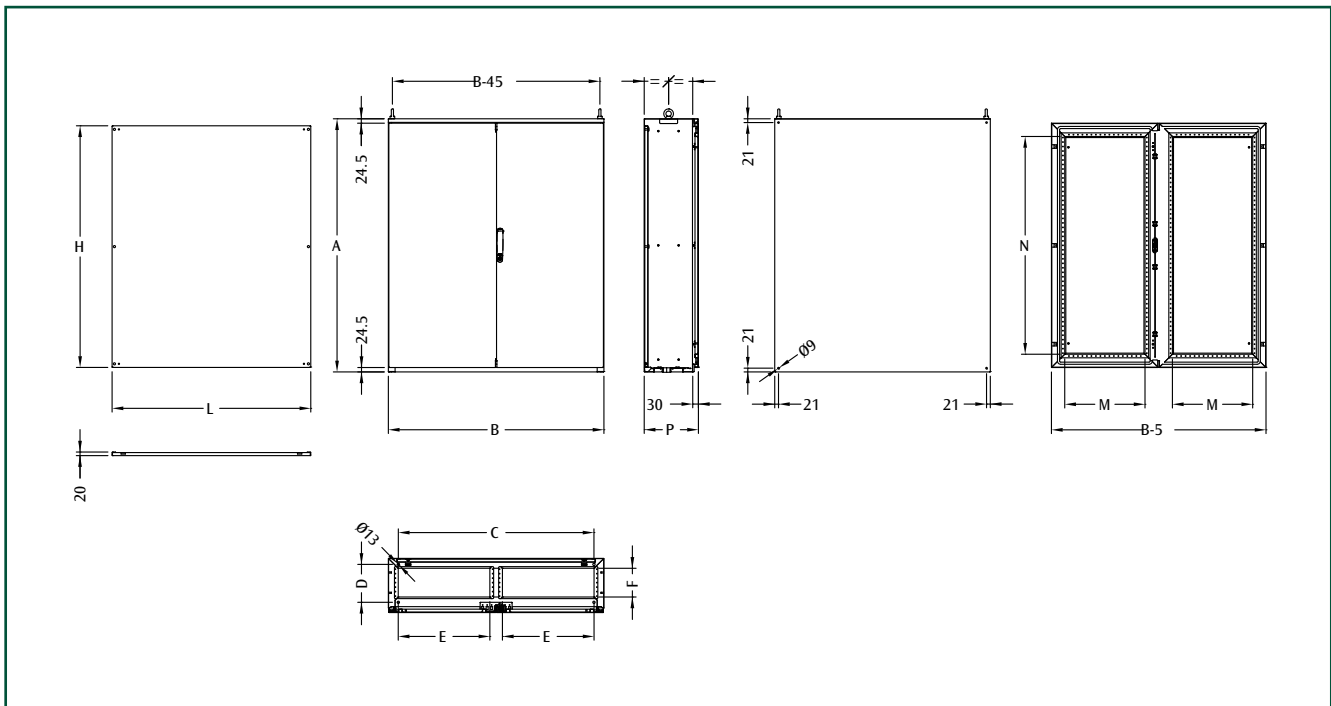
Stainless steel



## E COMP STAINLESS STEEL WITH SINGLE DOOR

E COMP CODE	CABINET DIMENSIONS			FLOOR FIXING		CABLE ENTRY		DOOR SPACE		MOUNT. PLATE DIM.	
	B	A	P	C	D	E	F	M	N	L	H
ECOMP6-1240X	600	1209	400	550	320	490	260	445	1030	506	1145
ECOMP6-1430X	600	1409	300	550	220	490	160	445	1230	506	1345
ECOMP6-1440X	600	1409	400	550	320	490	260	445	1230	506	1345
ECOMP8-1240X	800	1209	400	750	320	690	260	645	1030	706	1145
ECOMP8-1430X	800	1409	300	750	220	690	160	645	1230	706	1345
ECOMP8-1440X	800	1409	400	750	320	690	260	645	1230	706	1345

**Note:** to order the item in high grade AISI 316L, add the suffix "H" to the code. (i.e.: ECOMP6-1240XH).



Stainless steel

## E COMP STAINLESS STEEL WITH DOUBLE DOOR

E COMP CODE	CABINET DIMENSIONS			FLOOR FIXING		CABLE ENTRY		DOOR SPACE		MOUNT. PLATE DIM.	
	B	A	P	C	D	E	F	M	N	L	H
ECOMP10-1240X	1000	1209	400	950	320	390	260	345	1030	906	1145
ECOMP10-1430X	1000	1409	300	950	220	390	160	345	1230	906	1345
ECOMP10-1440X	1000	1409	400	950	320	390	260	345	1230	906	1345
ECOMP12-1240X	1200	1209	400	1150	320	490	260	345	1030	1106	1145
ECOMP12-1430X	1200	1409	300	1150	220	490	160	445	1230	1106	1345
ECOMP12-1440X	1200	1409	400	1150	320	490	260	445	1230	1106	1345

**Note:** to order the item in high grade AISI 316L, add the suffix "H" to the code. (i.e.: ECOMP10-1240XH).

## PLINTH EUZX

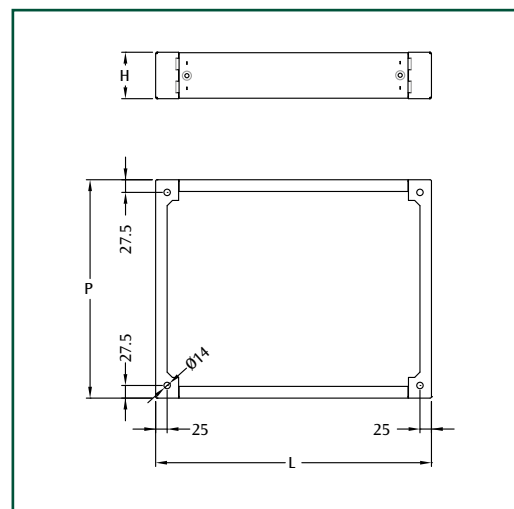
### CHARACTERISTICS

Front crosspieces and side crosspieces with integrated corners manufactured from 2.0 mm thick AISI 304L stainless steel (AISI 316L on request).

### SUPPLY

The plinth is made up of:

- front crosspieces: supply includes 2 pieces
- side corners: supply includes 2 pieces with integrated screws.



### DIMENSIONAL SPECIFICATIONS

CABINET DIMENSIONS		PLINTH DIM.	
WIDTH	DEPTH	L	P
600	400	600	365
600	500	600	465
800	400	800	365
800	500	800	465
1000	400	1000	365
1000	500	1000	465
1200	400	1200	365
1200	500	1200	465

### FRONT CROSSPIECES E MOX

EUZX CODE	DESCRIPTION
EUZX-L0600M	FRONT. CROSSPIECES FOR PLINTH W=600
EUZX-L0800M	FRONT. CROSSPIECES FOR PLINTH W=800
EUZX-L1000M	FRONT. CROSSPIECES FOR PLINTH W=1000
EUZX-L1200M	FRONT. CROSSPIECES FOR PLINTH W=1200

**Note:** to order the plinth H=200mm, order 2 packages of front crosspieces (i.e. Plinth H=200 mm dim. 800x500: 1 x EUZX-P0500MD + 2 x EUZX-L0800M).

**Note:** to order the item in higher grade AISI316L, add the suffix "H" to the code (i.e. EUZX-P0500MH).

### SIDE CROSSPIECES WITH INTEGRATED CORNERS E MOX

EUZX CODE	DESCRIPTION	CROSS. HEIGHT MM
EUZX-P0400M	SIDE CROSSPIECES WITH INTEGRATED CORNERS FOR PLINTH D=400	100
EUZX-P0400MD	SIDE CROSSPIECES WITH INTEGRATED CORNERS FOR PLINTH D=400	200
EUZX-P0500M	SIDE CROSSPIECES WITH INTEGRATED CORNERS FOR PLINTH D=500	100
EUZX-P0500MD	SIDE CROSSPIECES WITH INTEGRATED CORNERS FOR PLINTH D=500	200

## DIMENSIONAL SPECIFICATIONS

CABINET DIMENSIONS		PLINTH DIM.	
WIDTH	DEPTH	L	P
600	300	600	275
600	400	600	375
800	300	800	275
800	400	800	375
1000	300	1000	275
1000	400	1000	375
1200	300	1200	275
1200	400	1200	375

## FRONT CROSSPIECES E COMP

EUZX CODE	DESCRIPTION
EUZX-L0600M	FRONT. CROSSPIECES FOR PLINTH W=600
EUZX-L0800M	FRONT. CROSSPIECES FOR PLINTH W=800
EUZX-L1000M	FRONT. CROSSPIECES FOR PLINTH W=1000
EUZX-L1200M	FRONT. CROSSPIECES FOR PLINTH W=1200

**Note:** to order the plinth H=200 mm, order 2 packages of front crosspieces (i.e. Plinth H=200 mm dim. 600x400: 1 x EUZX-P0400PD + 2 x EUZX-L0600M).

**Note:** to order the item in higher grade AISI316L, add the suffix "H" to the code (i.e. EUZX-P0500PH).

## SIDE CROSSPIECES WITH INTEGRATED CORNERS E COMP

EUZX CODE	DESCRIPTION	CROSS. HEIGHT MM
EUZX-P0300P	SIDE CROSSPIECES WITH INTEGRATED CORNERS FOR PLINTH D=300	100
EUZX-P0300PD	SIDE CROSSPIECES WITH INTEGRATED CORNERS FOR PLINTH D=300	200
EUZX-P0400P	SIDE CROSSPIECES WITH INTEGRATED CORNERS FOR PLINTH D=400	100
EUZX-P0400PD	SIDE CROSSPIECES WITH INTEGRATED CORNERS FOR PLINTH D=400	200



### 180° HINGES EUCE

Chrome hinges for 180° opening (door requires machining to fit).

#### SUPPLY

Includes 3 pieces with mounting screws (EUCE-180008C).  
Includes 4 pieces with mounting screws (EUCE-180009C).



### EYEBOLTS WTGS-003

Zincpassivated M12 lifting eyebolts.

#### SUPPLY

Includes 2 pieces with nuts and washers.

Stainless steel

**e mox**  
STAINLESS STEEL

### COMPATIBILITY WITH E NUX SYSTEM AND ETA ACCESSORIES:

- vertical uprights EUMI, see page 97
- rails WTPR H=50 mm
- microswitch WI100M
- further ETA accessories for the inner mounting.

**e comp**  
STAINLESS STEEL

### WALL MOUNTING BRACKETS SDWCX-010

Manufactured from AISI 316L stainless steel.

#### SUPPLY

Includes 4 pieces.

#### FURTHER ACCESSORIES

- vertical rails, see page 106
- fast-fixing brackets WTPR-R, see page 106
- sliding rails ECPP, see page 106.





**CHARACTERISTICS**

Enclosure and door with formed corners manufactured from 1.5 mm thick pre-satinized AISI 304L stainless steel sheet (AISI 316L on request). Flat mounting plate manufactured from 2.5 mm thick sendzimir sheet steel with slots in the corners. Hinges in stainless steel.

**SUPPLY**

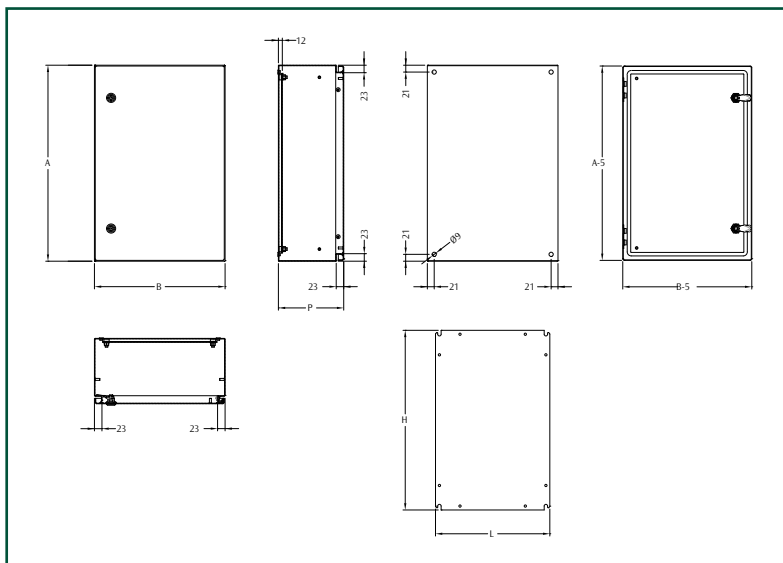
Box complete with:

- mounting plate
- door with locking system (box and insert in zinc alloy, lever in stainless steel) with Ø 3mm double bar key
- package with screws for earth connection and mounting plate.

**PROTECTION RATING**

- IP66 complying with IEC EN62208; EN62262
- NEMA 4X complying with UL508A; UL50
- protection degree guaranteed by the two-component silicone foam seal\*
- impact resistance IK10 complying with IEC EN62208; EN62262.

\* From size 600x800, box supplied with door rails already mounted.



Stainless steel

**STAINLESS STEEL BOX WITH SINGLE BLANK DOOR**

E COR CODE	BOX DIMENSIONS			MOUNTING PLATE DIM.		NO. OF LOCKS / TYPE
	B	A	P	L	H	
ECOR2-315X	200	300	150	150	250	1
ECOR3-315X	300	300	150	250	250	1
ECOR3-415X	300	400	150	250	350	1
ECOR3-420X	300	400	200	250	350	1
ECOR4-315X	400	300	150	350	250	1
ECOR4-420X	400	400	200	350	350	1
ECOR4-425X	400	400	250	350	350	1
ECOR4-520X	400	500	200	350	450	1
ECOR4-620X	400	600	200	350	550	2
ECOR4-625X	400	600	250	350	550	2
ECOR5-520X	500	500	200	450	450	1
ECOR5-525X	500	500	250	450	450	1
ECOR5-720X	500	700	200	450	650	2
ECOR5-725X	500	700	250	450	650	2
ECOR6-420X	600	400	200	550	350	1
ECOR6-620X	600	600	200	550	550	2
ECOR6-625X	600	600	250	550	550	2
ECOR6-630X	600	600	300	550	550	2
ECOR6-820X	600	800	200	550	750	2
ECOR6-825X	600	800	250	550	750	2
ECOR6-830X	600	800	300	550	750	2
ECOR6-1230X	600	1200	300	550	1150	ROD SYSTEM
ECOR8-830X	800	800	300	750	750	2
ECOR8-1030X	800	1000	300	750	950	2
ECOR8-1230X	800	1200	300	750	1150	ROD SYSTEM

Note: to order the item in high grade AISI 316L, add the suffix "H" to the code. (i.e.: ECOR2-315XH).



**CHARACTERISTICS**

Enclosure and door with formed corners manufactured from 1.5 mm thick pre-satinized AISI 304L stainless steel sheet (AISI 316L on request). Flat mounting plate manufactured from 2.5 mm thick sendzimir sheet steel provided with slots in the corners. Hinges in stainless steel.

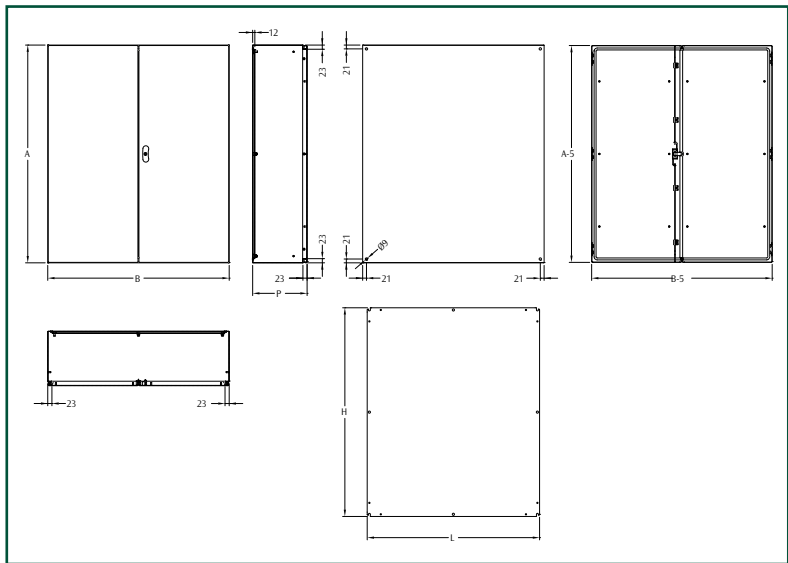


**SUPPLY**

- Box complete with:
- mounting plate
  - door with locking system (insert in zinc alloy, lever in stainless steel) with Ø 3mm double bar key
  - package with screws for earth connection and mounting plate.

**PROTECTION RATING**

- IP66 complying with IEC EN62208; EN62262
- NEMA 12 complying with UL508A; UL50
- protection degree guaranteed by the two-component silicone foam seal
- impact resistance IK10 complying with IEC EN62208; EN62262.



STAINLESS STEEL BOX WITH DOUBLE BLANK DOOR					
E COR CODE	BOX DIMENSIONS			MOUNTING PLATE DIMENSIONS	
	B	A	P	L	H
ECOR10-1030X	1000	1000	300	950	950
ECOR10-1230X	1000	1200	300	950	1150

**Note:** to order the item in high grade AISI 316L, add the suffix "H" to the code. (i.e.: ECOR10-1030XH).

Stainless steel



Certified:  
IMQ09 ATEX037U



The requirements of the enclosures that are intended to be used in explosive atmosphere (ATEX) are high: the wide range of ETA boxes fully responds to both the standard required by the directive and the need of the market to have a product for increased safety and with enclosure against dust and gas.

#### PROTECTION RATING

- IP66 complying with IEC EN62208; EN62262
- NEMA 4 (ST...EE), Nema 4X (E COR...EEX) complying with UL508A; UL50
- protection degree guaranteed by the two-component polyurethane foam seal
- impact resistance IK10 complying with IEC EN62208; EN62262.

#### CONFORMITY

- Ex II 2G
- Ex e IIC Gb
- Ex II 2GD
- Ex tb IIIC Db

ETA wall-mounting boxes ...EE are in compliance with the European Directive 2014/34/UE that aims to ensure the free circulation in the EU countries for the products concerned and it is applied to the equipment and protective systems indeed to be used in potentially explosive atmosphere (ATEX), for the presence of flammable substances in the form of gases, vapours, mists or dusts.

According to the reference standards EN60079-0; 7 and 60079-31 boxes are "electric enclosures" classified for category II and zones 1, 2, 21, 22 for gas and dust (GD) with protection method EX-e, EX-tb. Protection methods are based on the idea of prevention; to comply with that the directive establishes a high structural level and restrictive features of equipments and components, and strict periodic tests of process on the approved products UNI EN13980 and ISO 9001.

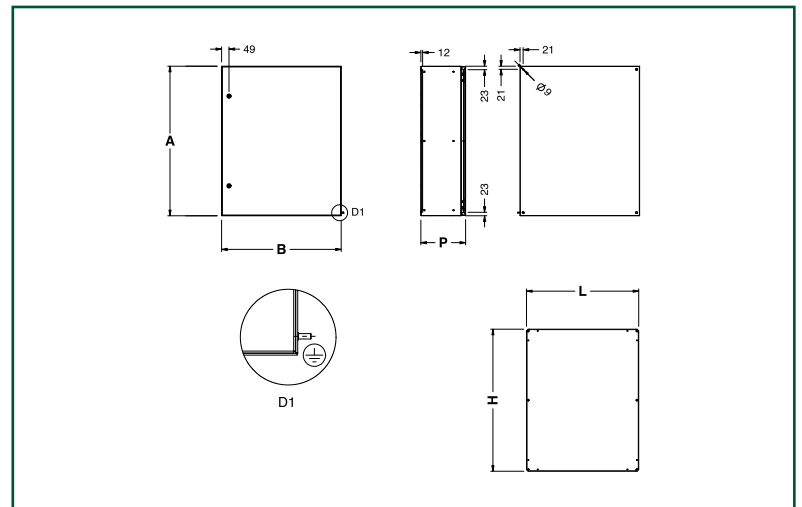
Stainless steel



ST ATEX				
ZONE	SAFETY (ATEX)	ENVIROMENT	MATERIAL OF THE ENCLOSURE	SUGGESTED ETA RANGE
1, 2, 21, 22	c (constructive)	Industrial	Mild Steel	ST
		Harsh	Stainless Steel	E COR
	e (increased) tb (protection by enclosure)	Industrial	Mild Steel	ST...EE
		Harsh	Stainless Steel	ECOR...EEX

#### HOW TO CHOOSE YOUR PRODUCT:

ECOR	2315	EE	X
Product range	Dimensions (VxHxD)	Version	Material
		EE=safety e; tb	X= stainless steel
		Blank=safety c	Blank=middle steel



#### CHARACTERISTICS

Enclosure manufactured from sheet steel supplied without cable entry and with mounting plate manufactured from sendzimir sheet steel. External anti-rotation and anti-slip stud M6 (H=15mm) copper-plated steel, welded on the enclosure.

#### SUPPLY

Enclosure complete with:

- mounting plate.
- door with door with locking system (box and insert in zinc alloy, lever in stainless steel) with  $\varnothing$  3mm double bar key and two-component polyurethane foam seal
- package with screws for earth connection and mounting plate.

#### PAINT FINISH

ETA standard epoxy polyester powder coating.  
Colour: RAL 7035 textured finish.



Certified:  
IMQ09 ATEX037U



### CHARACTERISTICS

Structure and door with formed corners manufactured from pre-satinized AISI304L stainless steel sheet (AISI316L on request). Flat mounting plate manufactured from sendzimir sheet steel, with slots in the corners. Hinges in stainless steel. External anti-rotation and anti-slip stud M6 (H=15mm) in AISI304L stainless steel, welded on the enclosure.

### SUPPLY

Enclosure complete with:

- mounting plate
- door with locking system (box and insert in zinc alloy, lever in stainless steel) with Ø 3mm double bar key, and two-component polyurethane foam seal
- package with screws for earth connection and mounting plate.

## ELECTRIC ENCLOSURES

CODE		BOX DIMENSIONS			MOUNT. PLATE DIMENSIONS		NO. OF LOCKS/ ROD SYSTEM
MILD STEEL ST...EE	STAINLESS ST. AISI 304L E COR - EEX	B	A	P	L	H	
ST2315EE	ECOR2-315EEX	200	300	150	150	250	1
ST3315EE	ECOR3-315EEX	300	300	150	250	250	1
ST3415EE	ECOR3-415EEX	300	400	150	250	350	1
ST3420EE	ECOR3-420EEX	300	400	200	250	350	1
ST3515EE	N.A.	300	500	150	250	450	1
ST3520EE	N.A.	300	500	200	250	450	1
ST4315EE	ECOR4-315EEX	400	300	150	350	250	1
ST4320EE	N.A.	400	300	200	350	250	1
ST4420EE	ECOR4-420EEX	400	400	200	350	350	1
N.A.	ECOR4-425EEX	400	400	250	350	350	1
ST4515EE	N.A.	400	500	150	350	450	1
ST4520EE	ECOR4-520EEX	400	500	200	350	450	1
ST4525EE	N.A.	400	500	250	350	450	1
ST4620EE	ECOR4-620EEX	400	600	200	350	550	2
ST4625EE	ECOR4-625EEX	400	600	250	350	550	2
ST4640EE	N.A.	400	600	400	350	550	2
ST5520EE	ECOR5-520EEX	500	500	200	450	450	1
N.A.	ECOR5-525EEX	500	500	250	450	450	1
ST5720EE	ECOR5-720EEX	500	700	200	450	650	2
ST5725EE	ECOR5-725EEX	500	700	250	450	650	2
ST6420EE	ECOR6-420EEX	600	400	200	550	350	1
ST6430EE	N.A.	600	400	300	550	350	1
ST6620EE	ECOR6-620EEX	600	600	200	550	550	2
N.A.	ECOR6-625EEX	600	600	250	550	550	2
ST6630EE	ECOR6-630EEX	600	600	300	550	550	2
ST6640EE	N.A.	600	600	400	550	550	2
ST6820EE	ECOR6-820EEX	600	800	200	550	750	2
ST6825EE	ECOR6-825EEX	600	800	250	550	750	2
ST6830EE	ECOR6-830EEX	600	800	300	550	750	2
ST6840EE	N.A.	600	800	400	550	750	2
ST61025EE	N.A.	600	1000	250	550	950	2
ST61030EE	N.A.	600	1000	300	550	950	2
ST61040EE	N.A.	600	1000	400	550	950	2
ST8830EE	ECOR8-830EEX	800	800	300	750	750	2
ST8840EE	N.A.	800	800	400	750	750	2
ST81030EE	ECOR8-1030EEX	800	1000	300	750	950	2
ST81040EE	N.A.	800	1000	400	750	950	2
ST61230EE	ECOR6-1230EEX	600	1200	300	550	1150	ROD SYSTEM
ST81230EE	ECOR8-1230EEX	800	1200	300	750	1150	ROD SYSTEM

Stainless steel

Note: to order the item in high grade AISI316L, add the suffix "H" to the code. (i.e.: ECOR6-830EEXH). Available on request.  
Note: further dimensions available on request.



**CHARACTERISTICS**

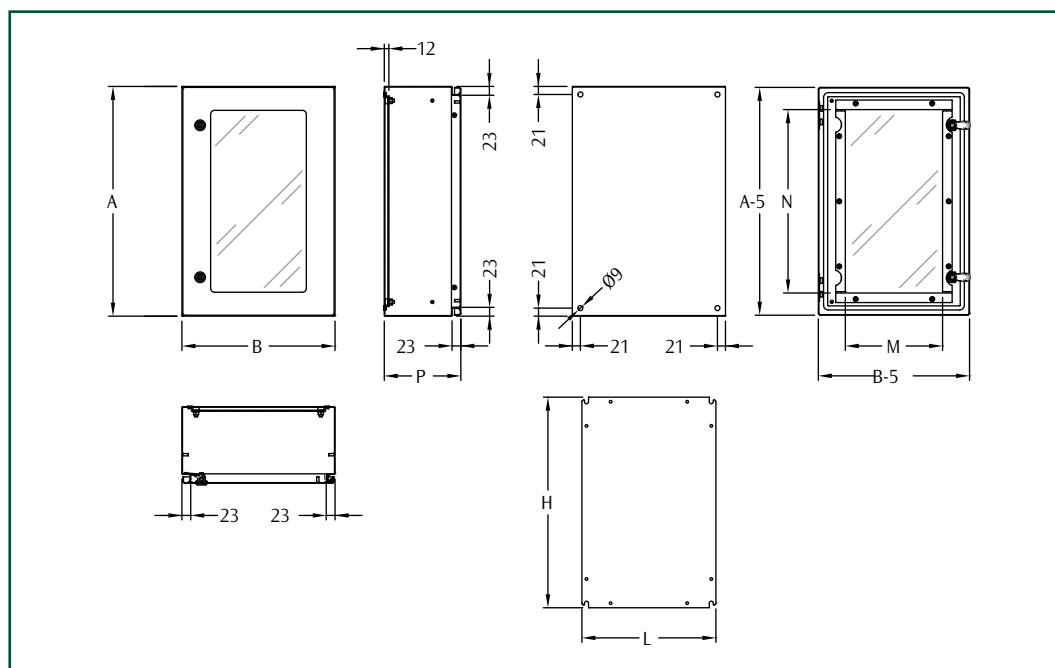
Enclosure manufactured from 1.5 mm thick pre-satinized AISI 304L stainless steel sheet (AISI 316L on request). Plexi door with formed corners, silicone seal and 4.0 mm thick plexiglass (fixed with a frame). Flat mounting plate manufactured from 2.5 mm thick sendzimir sheet steel with slots in the corners. Hinges in stainless steel.

**SUPPLY**

- Box complete with:
- mounting plate
  - door with locking system (box and insert in zinc alloy, lever in stainless steel) with Ø 3mm double bar key, and silicone seal
  - package with screws for earth connection and mounting plate.

**PROTECTION RATING**

- IP66 complying with IEC EN62208; EN62262
- NEMA 12 complying with UL508A; UL50
- protection degree guaranteed by the two-component silicone foam seal.
- impact resistance IK10 complying with IEC EN62208; EN62262.



Stainless steel

**STAINLESS STEEL BOX WITH PLEXI DOOR**

E COR CODE	BOX DIMENSIONS			DOOR SPACE		MOUNTING PLATE DIM.		NUMBER OF LOCKS
	B	A	P	M	N	L	H	
ECOR3-420PVX	300	400	200	150	275	250	350	1
ECOR4-520PVX	400	500	200	250	375	350	450	1
ECOR4-620PVX	400	600	200	250	475	350	550	2
ECOR5-725PVX	500	700	250	350	575	450	650	2
ECOR6-820PVX	600	800	200	450	675	550	750	2
ECOR6-825PVX	600	800	250	450	675	550	750	2
ECOR8-1030PVX	800	1000	300	650	875	750	950	2

Note: to order the item in high grade AISI 316L, add the suffix "H" to the code. (i.e.: ECOR4-620PVXH).

## FUNCTIONAL FRAME ECMI

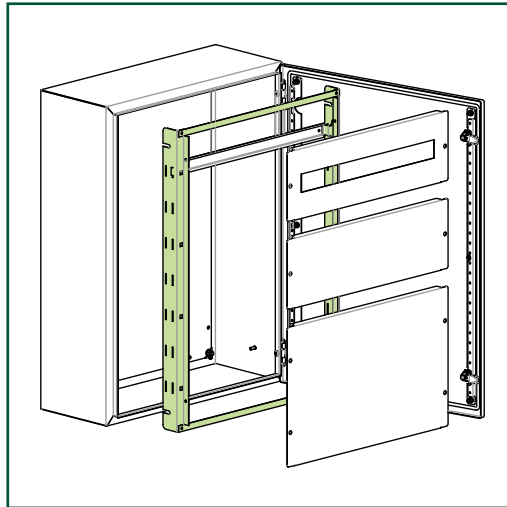
### CHARACTERISTICS

Internal frame for the assembly of modular panels and DIN rails. Manufactured from 1.5 mm thick stainless steel sheet AISI304L (on request AISI316L).

### SUPPLY

Includes 1 piece with mounting accessories.

\* For boxes with D=150 mm, the functional frame is not used



### FUNCTIONAL FRAME

ECMI CODE	DIMENSIONS		DESCRIPTION
	WIDTH	HEIGHT	
ECMI-040060X	400	600	3 rows for 14 DIN modules
ECMI-060080X	600	800	4 rows for 14 DIN modules
ECMI-080100X	800	1000	5 rows for 14 DIN modules

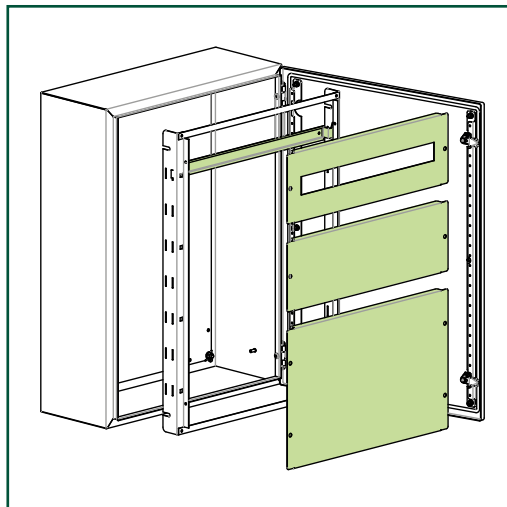
## MODULAR PANELS ECPM/ECAV

### CHARACTERISTICS

Modular panels manufactured from 1.5 mm thick stainless steel sheet AISI304L (AISI 316L on request). Available in blank version or for DIN rail, they can be easily mounted on E COR boxes using the functional frame ECMI.

### SUPPLY

Includes 1 piece with mounting accessories (ECPM panel including 2 brackets and DIN rail).



Stainless steel

### MODULAR PANELS FOR DIN RAILS\*

ECPM CODE	DIMENSIONS		NO. OF MODULES
	WIDTH	HEIGHT	
ECPM-040180X	400	180	14
ECPM-060180X	600	180	25
ECPM-080180X	800	180	36

\* DIN rails and brackets included

### MODULAR BLANK PANELS

ECAV CODE	DIMENSIONS	
	WIDTH	HEIGHT
ECAV-040180X	400	180
ECAV-060180X	600	180
ECAV-060360X	600	360
ECAV-080180X	800	180
ECAV-080360X	800	360

### DIN RAIL WITH BRACKETS

ECDI CODE	DIMENSIONS		NO. OF MODULES
	WIDTH	HEIGHT	
ECDI-014040	400	140	14
ECDI-025060	600	250	25
ECDI-036080	800	360	36

## INNER DOOR ECPO

### CHARACTERISTICS

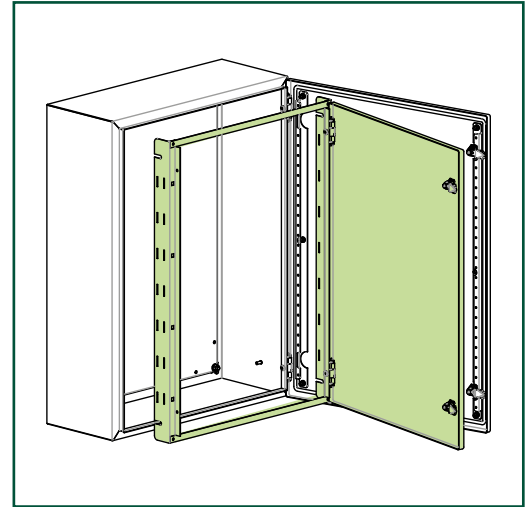
Manufactured from stainless steel sheet AISI304L (on request AISI316L).

### SUPPLY

Includes 1 piece with ECMI frame, hinges, closing systems and screws.

Note: Available for E COR P=150mm.

INNER DOOR		
ECPO CODE	DIMENSIONS	
	WIDTH	HEIGHT
ECPO1-34X	300	400
ECPO1-45X	400	500
ECPO1-46X	400	600
ECPO1-57X	500	700
ECPO1-68X	600	800
ECPO1-810X	800	1000



## LOCK WE001X

For food industry or special applications in harsh environments where high hygienic standards are required, a specific locking system is available.

Note: WE002X key to be ordered separately.



## RAIN CANOPY ECTT

Particularly suitable for outdoor installations where it is required an additional protection against atmospheric agents.

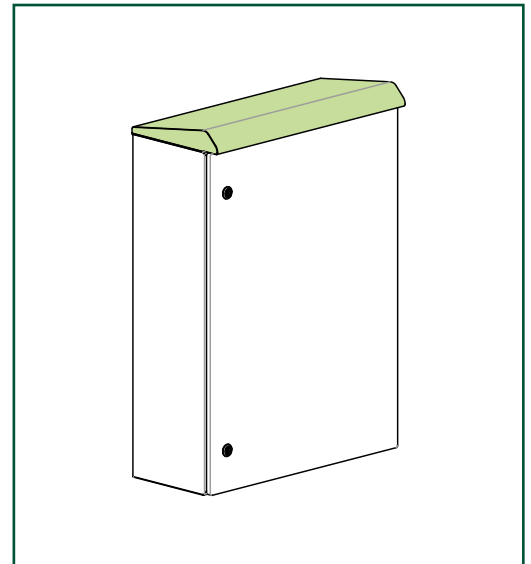
### CHARACTERISTICS

Manufactured from 1.5 mm thick AISI 304L stainless steel sheet (AISI 316L available on request).

### SUPPLY

Includes 1 piece with mounting accessories.

CANOPY		
ECTT CODE	DIMENSIONS	
	WIDTH	DEPPTH
ECTT1-04X	400	200
ECTT1-05X	500	200
ECTT2-05X	500	250
ECTT1-06X	600	250
ECTT2-08X	800	300



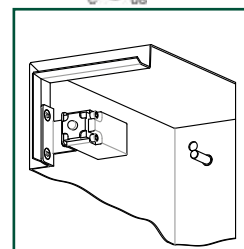
## MICROSWITCH W1100ST

### CHARACTERISTICS

Complying with standards IEC337-VDE0660. Mounting bracket manufactured from sendzimir sheet steel for a fast-assembly on ST wall-mounting boxes.

### SUPPLY

- microswitch
- mounting bracket
- screws



## PLINTH EUZX

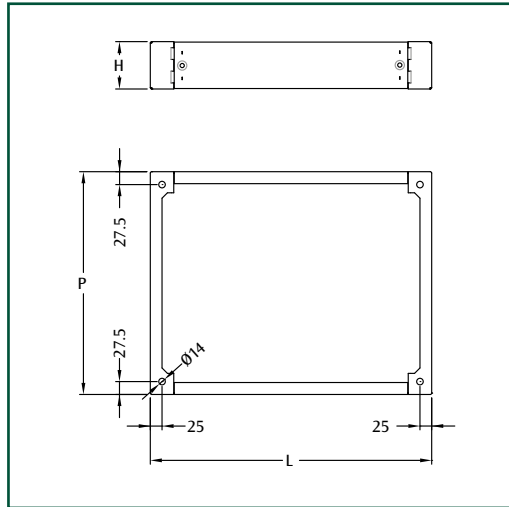
### CHARACTERISTICS

Front crosspieces and side crosspieces with integrated corners manufactured from 2.0 mm thick AISI 304L stainless steel (AISI 316L on request).

### SUPPLY

The plinth is made up of:

- front crosspieces: supply includes 2 pieces
- side crosspieces with integrated corners: supply includes 2 pieces with mounting screws.



### DIMENSIONAL SPECIFICATIONS

BOX DIMENSIONS		PLINTH DIM.	
L	P	L	P
600	300	600	275
800	300	800	275
1000	300	1000	275

### SIDE CROSSPIECES WITH INTEGRATED CORNERS E COR

EUZX CODE	DESCRIPTION	CROSS. HEIGHT MM
EUZX-P0300P	SIDE CROSSPIECES WITH INTEGRATED CORNERS FOR PLINTH D=300	100
EUZX-P0300PD	SIDE CROSSPIECES WITH INTEGRATED CORNERS FOR PLINTH D=300	200

### FRONT CROSSPIECES E COR

EUZX CODE	DESCRIPTION
EUZX-L0600M	FRONT CROSSPIECES FOR PLINTH W=600
EUZX-L0800M	FRONT CROSSPIECES FOR PLINTH W=800
EUZX-L1000M	FRONT CROSSPIECES FOR PLINTH W=1000

**Note:** to order the plinth H=200 mm, order 2 packages of front crosspieces (i.e. Plinth H=200 mm dim. 600x300: 1 x EUZX-P0300PD + 2 x EUZX-L0600M).

**Note:** to order the item in higher grade AISI316L, add the suffix "H" to the code (i.e. EUZX-P0300PH).

Stainless steel

## WALL MOUNTING BRACKETS SDWCX-010

Manufactured from 2.5 mm thick AISI316L stainless steel.

### SUPPLY

Includes 4 pieces.



## DOOR STOP WA061X

It allows the mechanical stop of the door (90°), preventing the accidental closing.

Supply includes 1 piece with mounting accessories.

Stainless steel cable glands are available (see pages 257 and 258).







**CHARACTERISTICS**

Boxes and door manufactured from 1.2 mm thick AISI 304L stainless steel sheet (AISI 316L on request). Lid provided with stainless steel captive screws, silicone seal and formed corners for improved aesthetics.

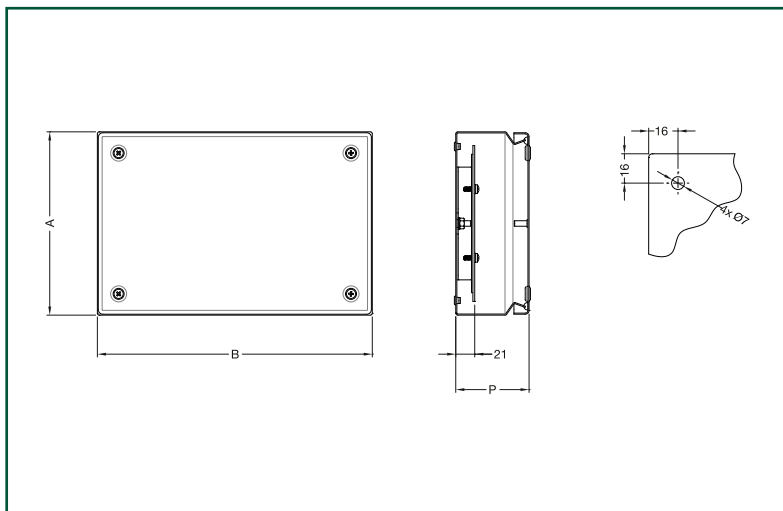
**PROTECTION RATING**

- IP66 complying with IEC EN62208, EN62262
- IP69K complying with DIN 40050-9
- NEMA 4X complying with UL508A; UL50
- protection degree guaranteed by the two-component silicone foam seal
- impact resistance IK10 complying with IEC EN62208; EN62262.

**Safety and easiness** - thanks to the innovative lid fixed with ¼ turns captive screws.

**Performance** - thanks to the formed corners and the silicone seal.

**Eye-catching aesthetics** - with new small wall-mounting brackets



**STAINLESS STEEL TERMINAL BOXES**

E GRAN CODE	BOX DIMENSIONS		
	B	A	P
EGRAN1-108X	150	150	80
EGRAN2-208X	200	200	80
EGRAN3-208X	300	200	80
EGRAN1-112X	150	150	120
EGRAN4-212X	400	200	120
EGRAN3-312X	300	300	120

**Note:** DIN profiles ( pag. 183 ) mounting plate and wall-mounting brackets shwck-010 ( pag. 229 ) to be ordered separately.  
**Note:** to order the item in high grade AISI 316L, add the suffix "H" to the code. (i.e.: EGRAN1-108XH).

**MOUNTING PLATE SDPA**

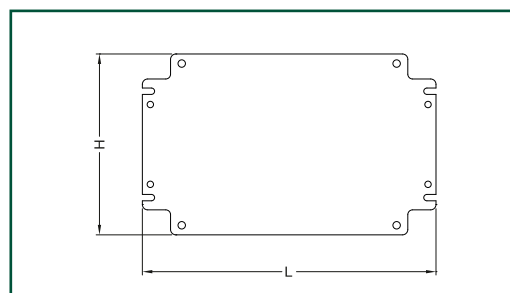
**CHARACTERISTICS**

Manufactured from sendzimir sheet steel.

**SUPPLY**

Includes 1 piece.

MOUNTING PLATE				
SDPA CODE	BOX DIMENSIONS		B	A
	WIDTH	HEIGHT		
SDPA-11	150	150	140	140
SDPA-22	200	200	176	170
SDPA-32	300	200	276	170
SDPA-33	300	300	276	270
SDPA-42	400	200	376	170



Stainless steel



**CHARACTERISTICS**

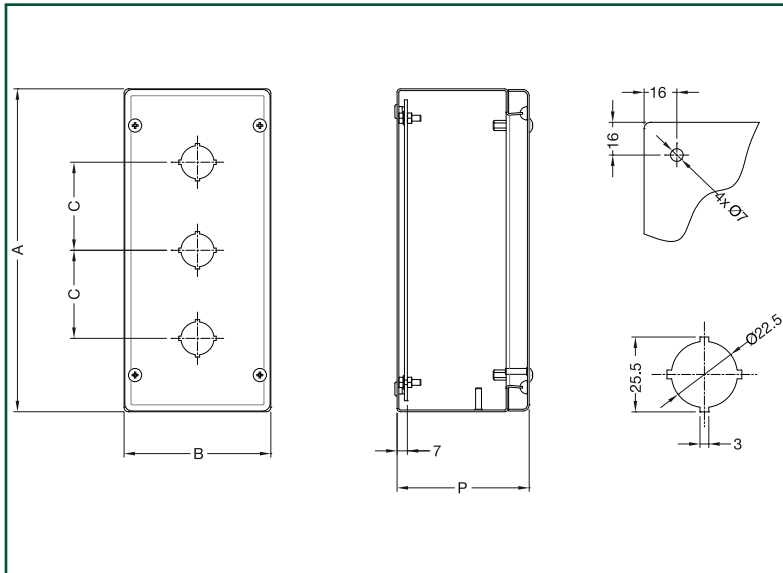
Structure and lid manufactured from pre-satinized AISI304L stainless steel sheet (AISI316L on request). Lid supplied with silicone gasket, fixed in four points (placed outside the gasket) with captive screw and available in 2 versions: punched for the fixation of push buttons Ø 22.5mm or blank. Wall-mounting from the inner part of the box or from the external part with fixing brackets.

**PROTECTION RATING**

- IP66 complying with IEC EN62208, EN62262
- IP69K complying with DIN 40050-9
- NEMA 4X complying with UL508A; UL50
- impact resistance IK10 complying with IEC EN62208; EN62262.

**Note:** to be ordered separately: mounting plate and/or DIN profiles (see page 183).

**Note:** to order the item in high grade AISI 316L, add the suffix "H" to the code (i.e.: SHX1-109FH).



**PUSHBUTTON WITH PUNCHED LID**

SHX CODE	DESCRIPTION			HOLES Ø 22,5	
	B	A	P	C	N
SHX1-109F	100	100	90	-	1
SHX1-169F	100	160	90	60	2
SHX1-229F	100	220	90	60	3
SHX1-289F	100	280	90	60	4

**PUSHBUTTON WITH BLANK LID**

SHX CODE	DESCRIPTION		
	B	A	P
SHX1-109C	100	100	90
SHX1-169C	100	160	90
SHX1-229C	100	220	90
SHX1-289C	100	280	90

Stainless steel

**SHPA MOUNTING PLATE**

**CHARACTERISTICS**

Manufactured from sendzimir sheet steel.

**SUPPLY**

Includes 1 piece.

**MOUNTING PLATE**

PUSHBUTTON CODE	MOUNT. PLATE PIASTRA	DIMENSIONS	
		L	H
SHX1-109F	-	-	-
SHX1-169F	SHPA-16	60	145
SHX1-229F	SHPA-22	60	205
SHX1-289F	SHPA-28	60	265

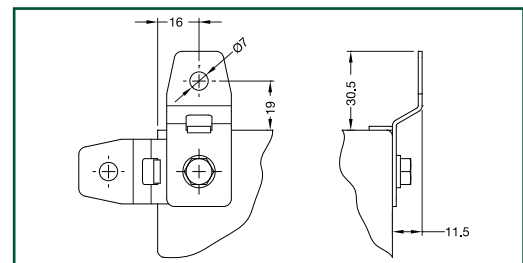
**WALL MOUNTING BRACKETS SHWCX-010**

**CHARACTERISTICS**

Manufactured from AISI316L stainless steel sheet.

**SUPPLY**

Includes nr. 4 pieces.





**CHARACTERISTICS**

Enclosure and door manufactured from 1.5 mm thick AISI 304L stainless steel sheet (AISI 316L upon request). Mounting plate manufactured from 2.5 mm thick sendzimir sheet steel. Stainless steel hinges.

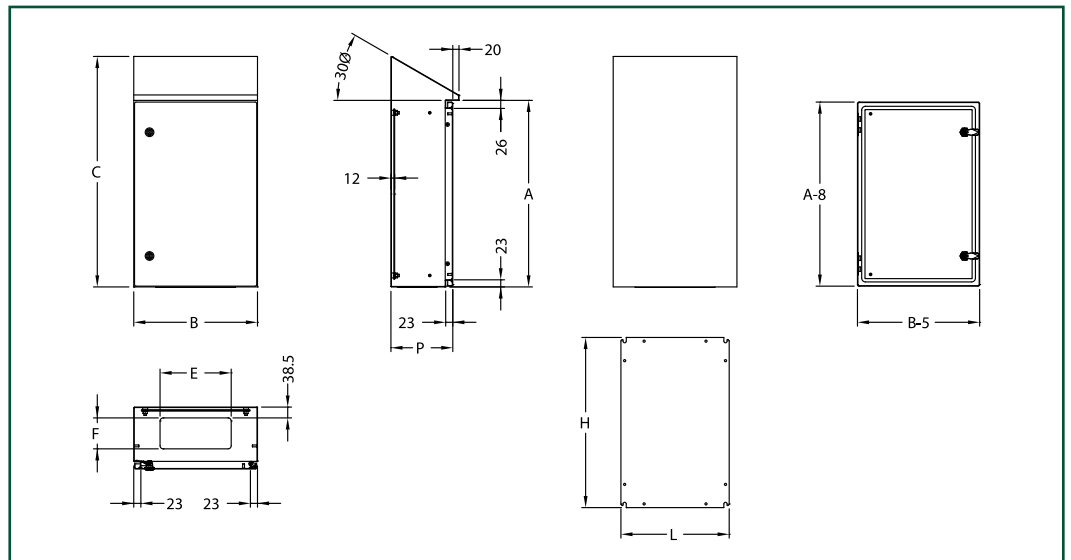
**SUPPLY**

The enclosure is supplied with:

- mounting plate
- door with locking system (box and insert in zinc alloy, lever in stainless steel) with Ø 3mm double bar keyset of screws for grounding and mounting plate assembling
- cable entry plate.

**PROTECTION RATING**

- IP66 complying with IEC EN62208; EN62262
- NEMA 4X complying with UL508A; UL50
- impact resistance IK10 complying with IEC EN62208; EN62262.



Stainless steel

**STAINLESS STEEL BOXES WITH SLOPED ROOF**

E COR CODE	BOX DIMENSIONS				CABLE ENTRY		MOUNTING PLATE		NO. OF LOCKS / TYPE
	B	A	P	C	E	F	L	H	
ECOR4-515TX	400	503	150	617	230	50	350	450	1
ECOR4-620TX	400	603	200	745	230	100	350	550	2
ECOR5-730TX	500	703	300	903	330	100	450	650	2
ECOR6-825TX	600	803	250	974	430	100	550	750	2
ECOR8-1025TX	800	1003	250	1174	530	100	750	950	2
ECOR8-1030TX	800	1003	300	1203	530	100	750	950	2
ECOR8-1230TX	800	1203	300	1403	530	100	750	1150	ROD SYSTEM

Note: to order the item in AISI 316L, add the suffix "H" to the code (i.e.: ECOR6-825TXH).



**CHARACTERISTICS**

Enclosure manufactured from 1.5 mm thick AISI 304L press bent stainless steel material. Mounting plate manufactured from 2.5 mm thick sendzimir sheet steel mounted on the rear cover. Upper cover manufactured from 1.5 mm thick AISI 304L material with sendzimir profiles and mechanical stop. Adjustable cable entry. Item in AISI 316L available on request.

**SUPPLY**

- control desk
- doors complete with  $\varnothing$  3 mm double bar key locking system
- mounting plate
- upper cover complete with locking system
- adjustable cable entry.

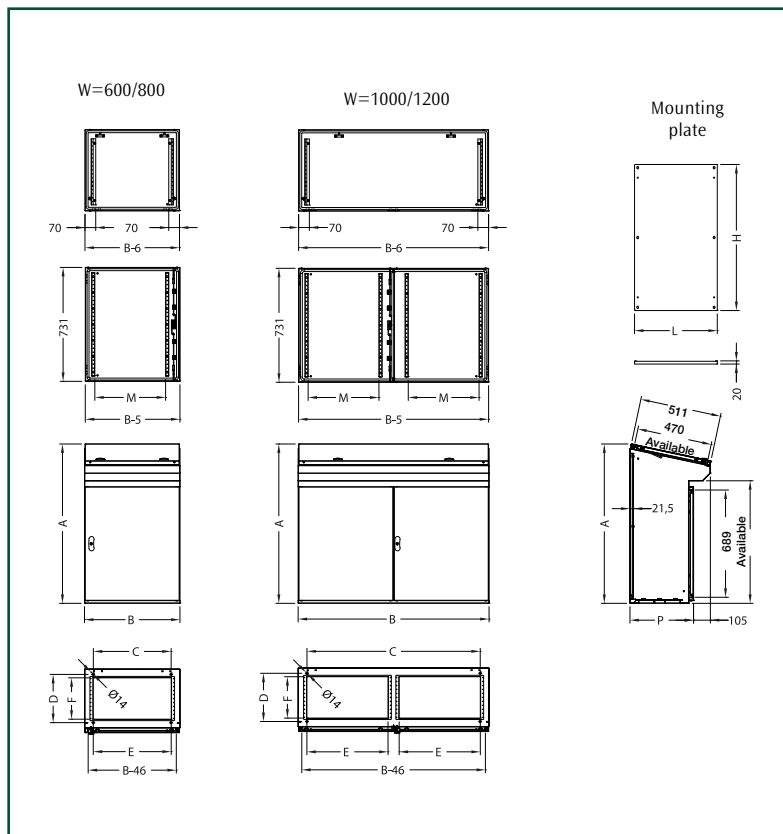
**PROTECTION RATING**

- IP55
- NEMA 12 complying with UL508A; UL50.

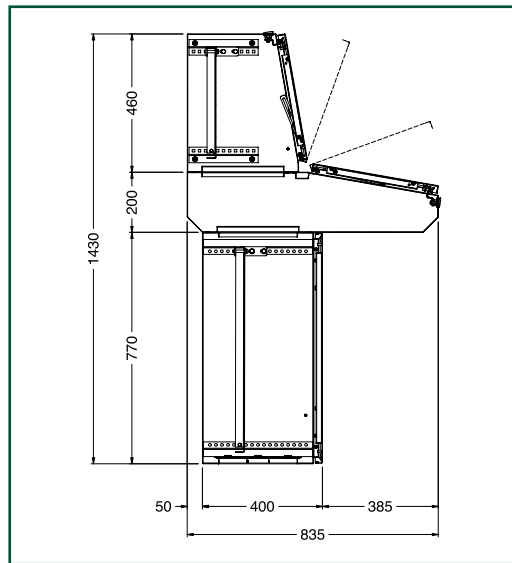
**STAINLESS STEEL CONTROL DESKS**

ZBX CODE	DIMENSIONS			FLOOR FIXING		CABLE ENTRY		DOOR SPACE M	MOUNTING PLATE	
	B	A	P	C	D	E	F		L	H
ZBX6-01	600	1000	400	550	310	490	260	445	520	918
ZBX8-01	800	1000	400	750	310	690	260	645	720	918
ZBX0-01	1000	1000	400	950	310	410 (x2)	260	345	920	918
ZBX2-01	1200	1000	400	1150	310	510 (x2)	260	445	1120	918

Note: to order the item in high grade AISI 316L, add the suffix "H" to the code. (i.e.: ZBX6-01H).



Stainless steel



BOX AEX



CHARACTERISTICS

Enclosure manufactured from 1.5 mm thick AISI 304L press bent stainless steel sheet. Mounting plate manufactured from 2.5 mm thick sendzimir sheet steel. Door manufactured from 1.5 mm thick AISI 304L stainless steel sheet with lateral stiffening cover. Item in AISI 316L available on request.

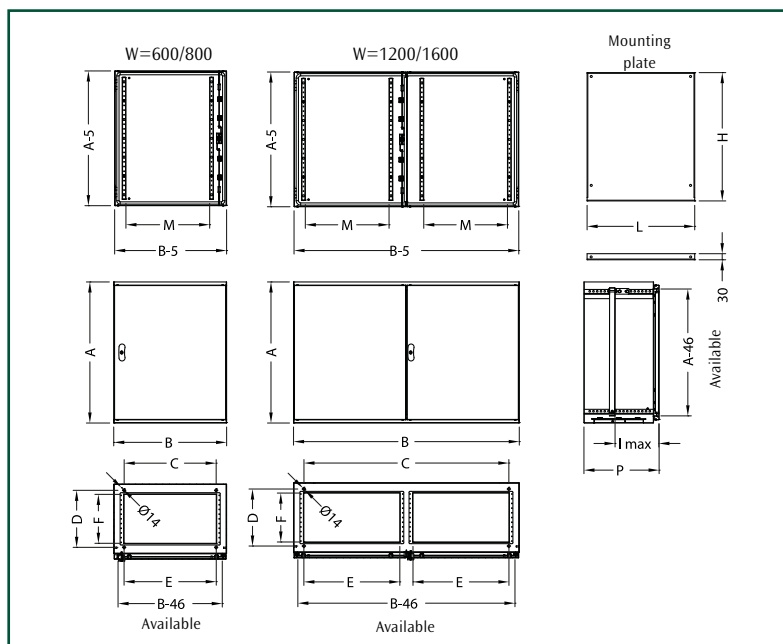
SUPPLY

Box includes:

- door complete with  $\varnothing$  3 mm double bar closing system
- mounting plate
- adjustable cable entry.

PROTECTION RATING

- IP55
- NEMA 12 complying with UL508A; UL50.



Stainless steel

STAINLESS STEEL BOX

AEX CODE	DIMENSIONS			FLOOR FIXING		CABLE ENTRY		DOOR SPACE	MOUNTING PLATE		
	B	A	P	C	D	E	F	M	L	H	I MAX
AEX6-01	600	770	400	550	310	490	260	445	530	684	358
AEX8-02	800	770	400	750	310	690	260	645	730	684	358
AEX1-23	1200	770	400	950	310	510 (x2)	260	445	1130	684	358
AEX1-64	1600	770	400	1150	310	710 (x2)	260	645	1530	684	358

Note: to order the item in high grade AISI 316L, add the suffix "H" to the code (i.e.: AEX6-01H).

## SHELF LEX



### CHARACTERISTICS

Structure manufactured from 1.5 mm thick AISI 304L press bent stainless steel sheet. Upper panel manufactured from 2.0 mm thick AISI 304L stainless steel sheet with sendzimir rails and gas springs to support lid and avoid accidental closing. Item in AISI 316L available on request.

### SUPPLY

Shelf includes:

- lid complete with  $\varnothing$  3 mm double bar closing system
- rails to mount supplementary mounting plate
- sealing gasket
- mounting accessories.

### PROTECTION RATING

IP55.

## UPPER PART PEX



### CHARACTERISTICS

Structure manufactured from 1.5 mm thick AISI 304L press bent stainless steel sheet. Mounting plate manufactured from 2.5 mm thick sendzimir sheet steel with 2.0 mm zincpassivated rails for mounting plate adjustment. Hinged front panel manufactured from 2.0 mm AISI 304L stainless steel sheet complete with sendzimir vertical rails and mechanical stop. Item in AISI 316L available on request.

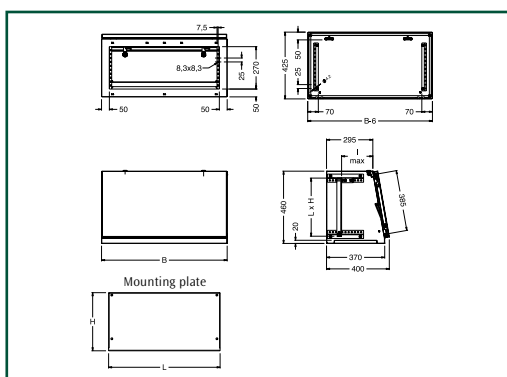
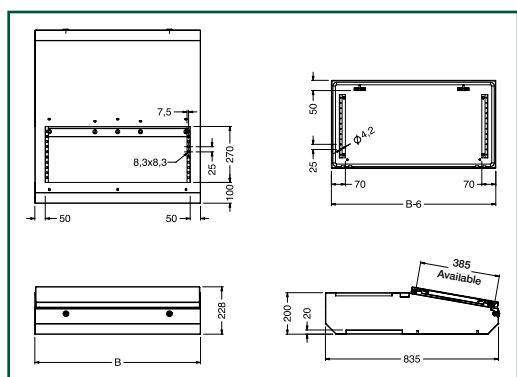
### SUPPLY

Upper part includes:

- hinged front cover with  $\varnothing$  3 mm double bar locking system
- mounting plate
- sealing gasket
- mounting accessories.

### PROTECTION RATING

IP55.



### STAINLESS STEEL SHELF

LEX CODE	B	NUMBER OF LOCKS
LEX6-01	600	2
LEX8-02	800	2
LEX1-23	1200	2
LEX1-64	1600	3

### STAINLESS STEEL UPPER PART

PEX CODE	B	MOUNTING PLATE DIM.		
		L	H	I MAX
PEX6-01	600	510	370	250
PEX8-02	800	710	370	250
PEX1-23	1200	1110	370	250
PEX1-64	1600	1510	370	250

**Note:** to order the item in high grade AISI 316L, add the suffix "H" to the code (i.e.: LEX6-01H).

**Note:** to order the item in AISI 316L, add the suffix "H" to the code (i.e.: PEX6-01H).

Stainless steel

## SHELF MEX



### CHARACTERISTICS

Structure manufactured from 1.5 mm thick AISI 304L press bent stainless steel sheet. Upper panel manufactured from 2.0 mm thick AISI 304L material with sendzimir rails and gas springs to support lid and avoid accidental closing. Item in AISI 316L available on request.

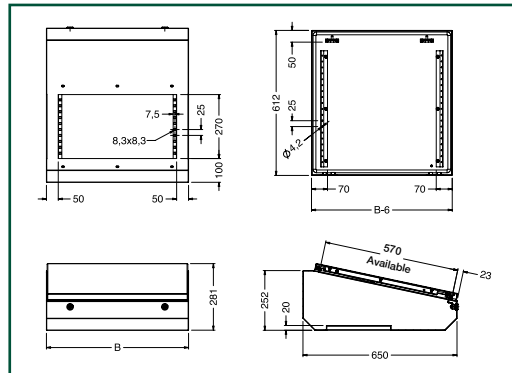
### SUPPLY

Shelf includes:

- lid complete with  $\varnothing$  3 mm double bar closing system
- sealing gasket
- mounting accessories.

### PROTECTION RATING

- IP55
- NEMA 12 complying with UL508A; UL50.



### STAINLESS STEEL SHELF

MEX CODE	B	NUMBER OF LOCKS
MEX6-01	600	2
MEX8-02	800	2
MEX1-23	1200	2
MEX1-64	1600	3

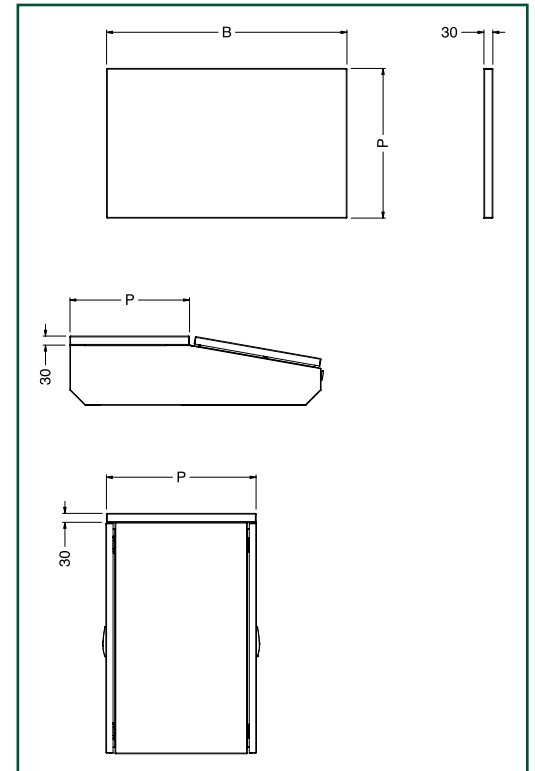
**Note:** to order the item in AISI 316L, add the suffix "H" to the code (i.e.: MEX6-01H).

## COVER TLX

Manufactured from 1.5 mm thick AISI 304L stainless steel sheet (AISI 316L on request). To be used as top cover of the LEX shelf.

### SUPPLY

Includes single piece with mounting accessories.



### STAINLESS STEEL COVER

TLX CODE	B	P
TLX6-01	600	398
TLX8-02	800	398
TLX1-23	1200	398
TLX1-64	1600	398

**Note:** to order the item in AISI 316L, add the suffix "H" to the code (i.e.: TLX6-01H).

## PLINTH EUZX

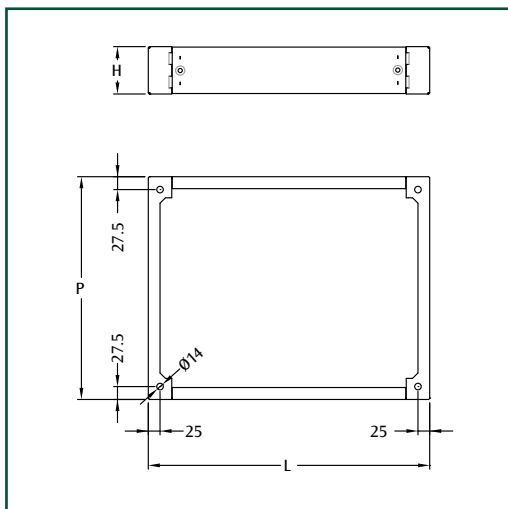
### CHARACTERISTICS

Front crosspieces and side crosspieces with integrated corners manufactured from 2.0 mm thick AISI 304L stainless steel (AISI 316L on request).

### SUPPLY

The plinth is made up of:

- front crosspieces: supply includes 2 pieces
- side crosspieces with integrated corners: supply includes 2 pieces with mounting screws.



### DIMENSIONAL SPECIFICATIONS

CONTROL DESK DIM.		PLINTH DIM.	
W	D	L	P
600	400	600	365
800	400	800	365
1000	400	1000	365
1200	400	1200	365
1600	400	1600	365

### SIDE CROSSPIECES WITH INTEGRATED CORNERS

EUZX CODE	DESCRIPTION	CROSS. HEIGHT MM
EUZX-P0400M	SIDE CROSSPIECES WITH INTEGRATED CORNERS FOR PLINTH D=400	100
EUZX-P0400MD	SIDE CROSSPIECES WITH INTEGRATED CORNERS FOR PLINTH D=400	200

### FRONT CROSSPIECES

EUZX CODE	DESCRIPTION
EUZX-L0600M	FRONT CROSSPIECES FOR PLINTH W=600
EUZX-L0800M	FRONT CROSSPIECES FOR PLINTH W=800
EUZX-L1000M	FRONT CROSSPIECES FOR PLINTH W=1000
EUZX-L1200M	FRONT CROSSPIECES FOR PLINTH W=1200
EUZX-L1600M	FRONT CROSSPIECES FOR PLINTH W=1600

**Note:** to order the plinth H=200 mm, order 2 packages of front crosspieces (i.e. Plinth H=200 mm dim. 800 x 400: 1 x EUZX-P0400MD + 2 x EUZX-L0800M).

**Note:** to order the item in higher grade AISI316L, add the suffix "H" to the code (i.e. EUZX-P0400MH).

Stainless steel





## OPERATOR PANEL ENCLOSURE



### CHARACTERISTICS

Operator housing made from AISI304L satin stainless steel sheet metal with a thickness of 1.5 mm and a ScotchBrite finish, shaped and welded on all sides. Furnished with a solid hinged lid, complete with a panel-stopper, screwed on at the top for easy maintenance. Rounded stainless steel handles, which can be positioned either on the sides, the bottom or the curved sections of the operator housing.

### SUPPLY

- Solid operator housing complete with lid and panel-stopper.
- Keyboard support supplied separately.
- Handles supplied separately.

### PROTECTION RATING

- IP66 compliant with IEC EN62208; EN60529 (pending).
- IP69K compliant with DIN 40050-9.
- NEMA 4X, compliant with UL508A and UL50 (pending).
- Protection rating ensured by the use of two-component silicone foam.
- Impact resistance rating IK10, compliant with IEC EN62208 and EN62202.

CODE E RAM	OPERATOR HOUSING DIMENSIONS		
	B	A	P
ERAM3-315X	300	300	150
ERAM4-315X	400	300	150
ERAM4-415X	400	400	150
ERAM6-415X	600	400	150

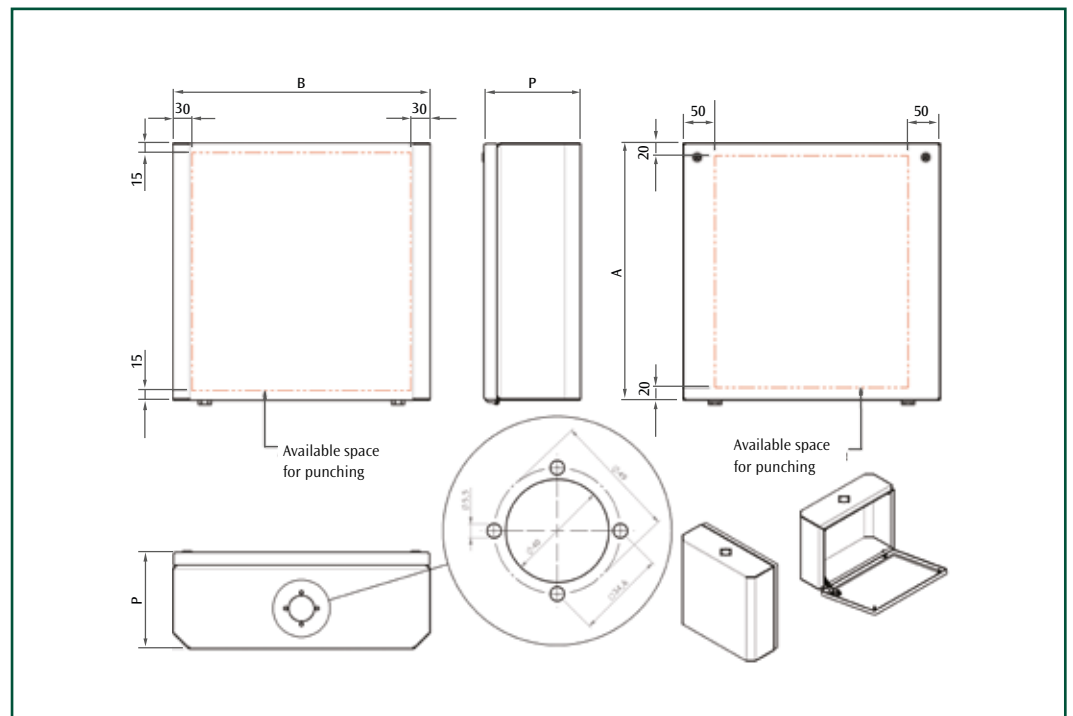
To order the keyboard support, use the part of the housing code that indicates the width and add PTX to the end of the code (i.e. ERAM3-PTX = keyboard support for a 300mm wide E RAM housing).

### OPTIONALS

Handle made from AISI304L stainless steel. Package containing 2 pieces, complete with mounting accessories ERM-02 – L=200.

To order the version in AISI316L, add H to the end of the code (i.e. ERAM3-315XH).

Stainless steel



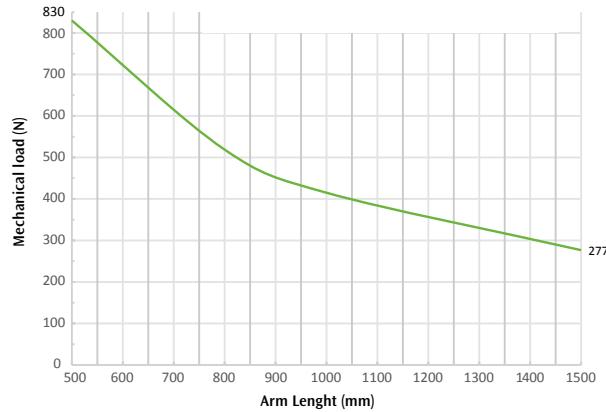
## CHARACTERISTICS

Articulated single-piece support profiles, made from AISI304L stainless steel section with a thickness of 4.00 mm and a satin finish. External diameter 48.30 mm.

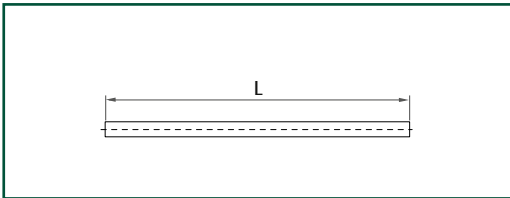
## SUPPLY

- I, L, J, or S sections (upon request).
- Screws for fastening to the coupling elements supplied together with the relative couplings.

## LOAD CAPACITY



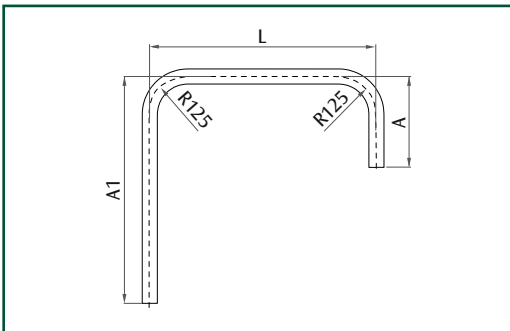
### “I” VERSION



Your solution: ERI-L  
Min. L = 250 mm  
Max. L = 1500 mm

CODE	L
ERI-0500X	500
ERI-0750X	750
ERI-1000X	1000

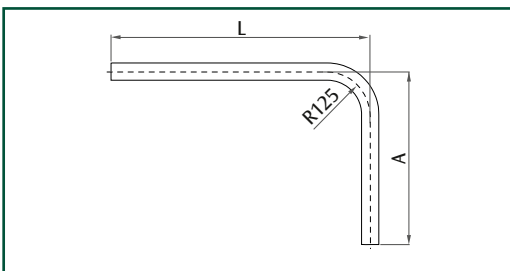
### “J” VERSION



Your solution: ERJ-A<sup>1</sup>LA  
Min. A<sup>1</sup> = 250 mm  
Max. A<sup>1</sup> = 1000 mm  
Min. L = 380 mm  
Max. L = 1000 mm  
Min. A = 250 mm  
Max. A = 1000 mm

CODE	DIMENSIONS		
	A <sup>1</sup>	L	A
ERJ-030503X	300	500	300
ERJ-050503X	500	500	300
ERJ-070703X	750	750	300

### “L” VERSION

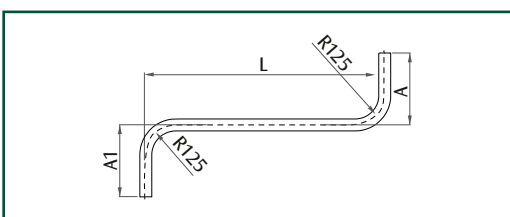


Your solution: ERL-LA  
Min. L = 250 mm  
Max. L = 1000 mm  
Min. A = 250 mm  
Max. A = 1000 mm

CODICE	DIMENSIONS	
	L	A
ERL-0305X	300	500
ERL-0505X	500	500
ERL-0705X	750	500

Stainless steel

### “S” VERSION

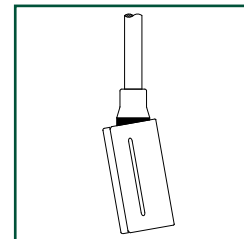
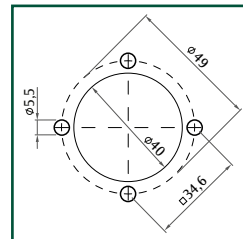
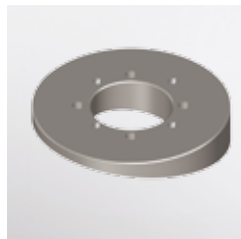


Your solution: ERS-A<sup>1</sup>LA  
Min. A<sup>1</sup> = 250 mm  
Max. A<sup>1</sup> = 1000 mm  
Min. L = 380 mm  
Max. L = 1000 mm  
Min. A = 250 mm  
Max. A = 1000 mm

Available upon request

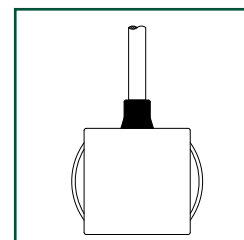
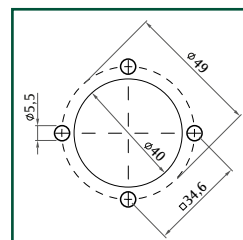
**FIXED 10° ANGLE FOR HOUSING  
ERCF-010X**

Made from AIS303 stainless steel.  
Complete with fastening screws.



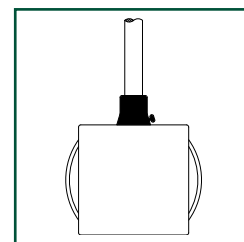
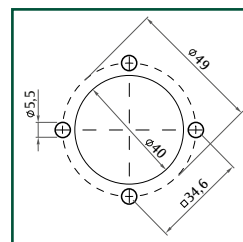
**FIXED ATTACHMENT FOR HOUSING  
ERCF-001X**

Made from AIS303 stainless steel.  
Complete with fastening screws.



**SWIVEL ATTACHMENT FOR HOUSING  
ERCG-001X**

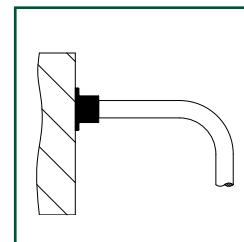
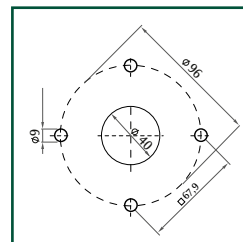
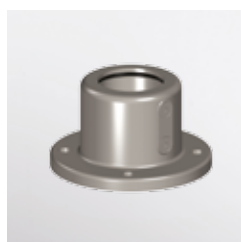
Made from AIS303 stainless steel.  
Complete with fastening screws and swivel locking system.



**FIXED WALL-MOUNTING BASE ATTACHMENT  
ERPF-001X**

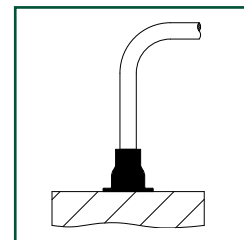
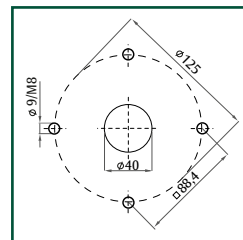
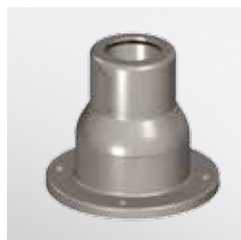
Made from AIS303 stainless steel.  
Complete with fastening screws.

Stainless steel



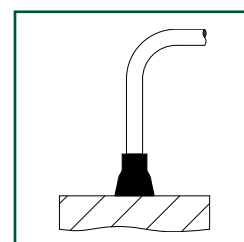
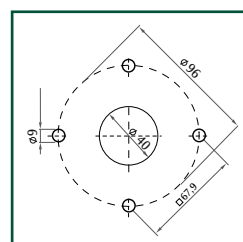
**SWIVEL WALL-MOUNTING BASE ATTACHMENT  
ERPG-001XA**

Made from AIS303 stainless steel.  
Complete with fastening screws and swivel locking system. Front fastening.



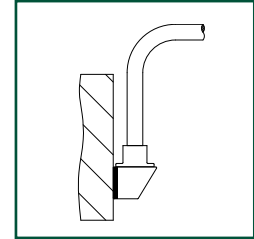
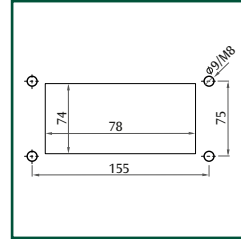
**SWIVEL WALL-MOUNTING BASE ATTACHMENT  
ERPG-001XP**

Made from AIS303 stainless steel.  
Complete with fastening screws and swivel locking system. Rear fastening.



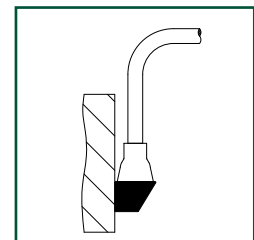
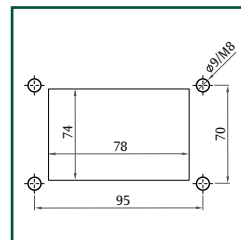
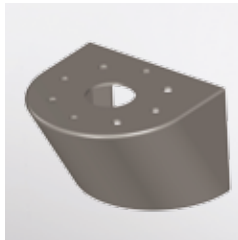
### WALL-MOUNTING PLATE ERPS-001XA

Made from AIS304L stainless steel.  
Allows for the wall-mounting of the base attachments. Front fastening.  
To be combined with: ERPS-001XP (to be ordered separately).



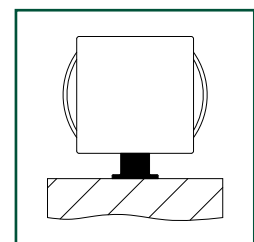
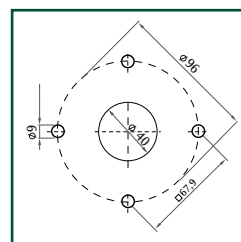
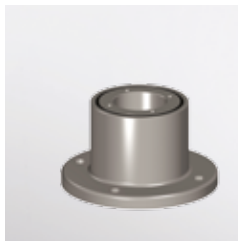
### WALL-MOUNTING BRACKET ERPS-001XP

Made from AIS304L stainless steel.  
Allows for the wall-mounting of the base attachments. Rear fastening.  
To be combined with: ERPF-001X or ERPG-001XP.



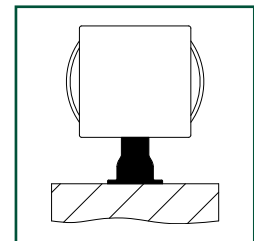
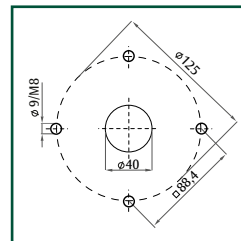
### \* FIXED DIRECT BASE ATTACHMENT ERDF-001X

Made from AIS303 stainless steel.  
Complete with fastening screws.



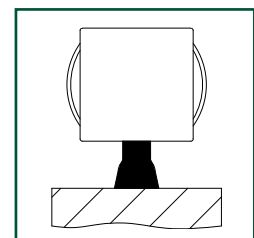
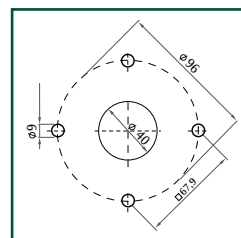
### \* SWIVEL DIRECT BASE ATTACHMENT ERDG-001XA

Made from AIS303 stainless steel.  
Complete with fastening screws and swivel locking system. Front fastening.



### \* SWIVEL DIRECT BASE ATTACHMENT ERDG-001XP

Made from AIS303 stainless steel.  
Complete with fastening screws and swivel locking system. Rear fastening.



Stainless steel

\* Note: for the container drilling template, please refer to the ERCF-001X.

**TOGETHER, WE CAN CREATE THE IDEAL SYSTEM FOR YOU  
IN JUST A FEW SIMPLE STEPS**

**OPERATOR PANEL ENCLOSURE**

**1 - DIMENSIONS**

<input type="checkbox"/> STANDARD				<input type="checkbox"/> SPECIAL		
E RAM CODE	HOUSING DIMENSIONS			DIMENSIONS ON REQUEST*		
	B	A	P	B	A	P
<input type="checkbox"/> ERAM3-315X	300	300	150			
<input type="checkbox"/> ERAM4-315X	400	300	150			
<input type="checkbox"/> ERAM4-415X	400	400	150			
<input type="checkbox"/> ERAM5-415X	600	400	150			

\* Feasibility and m.o.q. to be checked with Sales team

**2 - MATERIAL**

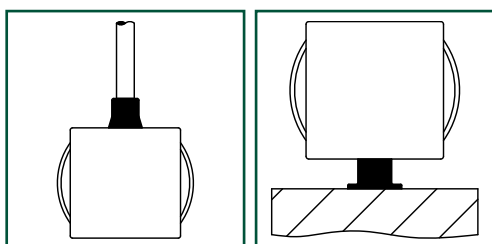
- AISI 304L       AISI 316L

**3 - PUNCHING FOR HMI**

- None       Customer drawing

**4 - PUNCHING FOR JOINT AND SUSPENSION ARM SYSTEM**

- ETA Standard       ETA Standard       None  
 Customer drawing



Stainless steel

**5 - ACCESSORIES**

- ERM-002 handles (supply includes nr. 2 pieces)       Keyboard shelf

**6 - FURTHER REQUIREMENTS, PUNCHINGS, ACCESSORIES**

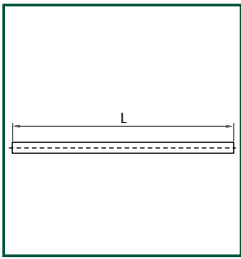
\_\_\_\_\_

\_\_\_\_\_

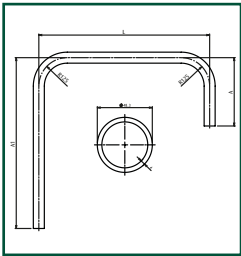
\_\_\_\_\_

\_\_\_\_\_

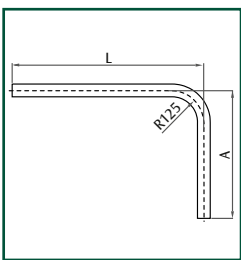
# ARTICULATED SUPPORT ARM



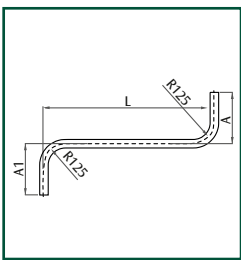
"I" VERSION		
CODE	L = min 250 - max 1.500	
<input type="checkbox"/> ERI-0500X	500	
<input type="checkbox"/> ERI-0750X	750	
<input type="checkbox"/> ERI-1000X	1.000	
<input type="checkbox"/> SPC		



"J" VERSION			
CODE	A1 = min 250 - max 1.000	L = min 380 - max 1.000	A = min 250 - max 1.000
<input type="checkbox"/> ERJ-030503X	300	500	300
<input type="checkbox"/> ERJ-050503X	500	500	300
<input type="checkbox"/> ERJ-070703X	750	750	300
<input type="checkbox"/> SPC			



"L" VERSION		
CODE	L = min 250 - max 1.000	A = min 250 - max 1.000
<input type="checkbox"/> ERL-0305X	300	500
<input type="checkbox"/> ERL-0505X	500	500
<input type="checkbox"/> ERL-0705X	750	500
<input type="checkbox"/> SPC		



"S" VERSION			
CODE	A1 = min 250 - max 1.000	L = min 380 - max 1.000	A = min 250 - max 1.000
<input type="checkbox"/> ERS-030503X	300	500	300
<input type="checkbox"/> ERS-030703X	300	750	300
<input type="checkbox"/> ERS-031003X	300	1000	300
<input type="checkbox"/> SPC			

## HOUSING

- CHOOSE THE ELEMENT FOR THE HOUSING
- Fixing ERCF-001X
  - Swivel ERGC-001X
  - Swivel (rear fastening) ERCF-010X

## BASE ATTACHMENT

- CHOOSE THE ELEMENT FOR THE FIXING
- Fixed ERDF-001X
  - Swivel (front fastening) ERDG-001XA
  - Swivel (rear fastening) ERDG-001XP

## WALL-FIXING

- CHOOSE THE ELEMENT FOR THE FIXING
- Fixed ERPF-001X
  - Swivel (front fastening) ERPG-001XA
  - Swivel (rear fastening) ERPG-001XP

## WALL-MOUNTING BRACKET

- CHOOSE THE ELEMENT FOR THE FIXING
- Front fastening ERPS-001XA
  - Rear fastening ERPS-001XP

## WALL-FIXING

- Fixed ERPF-001
- Swivel with rear fastening ERPG-001XP

Stainless steel

# SOLUTION FOR OUTDOOR APPLICATIONS



### ETA QUALITY, FOR OUTDOOR

Thanks to the specific constructive concept, high quality materials and resistant finishes, the range of outdoor solutions E VIS provides the perfect protection of the framework internal components by environmental factors, extreme temperatures, direct sunlight, harsh environment, vandalism and atmospherical, chemical and mechanical agents.

For these reasons, E VIS product design provides an exceptional protection for your outdoor applications.

### BENEFITS

New manufacturing concepts	Innovation
Natural ventilation	Functionality
Resistant materials and finishes for outdoor applications	Strength
Quick assembly and easy wiring	Easiness
Anti-vandalism design and protection of the inner components	Safety

Outdoor



## e vis

## SOLUTIONS FOR OUTDOOR APPLICATIONS

### FEATURES

- 1 Available in two versions: single-walled or double walled with coverings.
- 2 Available in two materials: steel sheet and aluminium alloy.
- 3 Mild steel version: Double layer of special powder coating: epoxy polyester resin primer and second polyester layer with anticorrosion pigments (RAL7035 smooth for the cabinet, Pantone 2717U smooth for roof and plinth). Aluminium alloy version: Special painting process with a single polyester powder coating with zinc base (RAL7035 smooth for enclosure, Pantone 2717U smooth for roof and plinth).
- 4 Monobloc cabinets with a vandal-resistant silhouette that is inaccessible when the door is closed.

- 5 Rain canopy screwed on the structure.
- 6 Door provided with a locking system with key and with the possibility to install different inserts or lockable closures.
- 7 Natural ventilation around the monobloc cabinet, due to the "double-walled" system of the side and rear panels, the ventilated roof and the plinth.
- 8 Quick and easy installation wiring, combined with the maximum safety and security.
- 9 It can be equipped internally with ETA standard accessories.

Outdoor







**INNOVATION**

Innovative product concept.



**DESIGN**

Thanks to the new design, the side covers are assembled without the aid of screws.

Outdoor

S  
PLUS  
R

**FLEXIBILITY**

Possibility to design solutions with special dimensions, different finishes, special insulations, silicone seal or completely customised solutions according to customers' requirements.



**THERMAL MANAGEMENT**

Double-layer front door and ventilation openings on the roof for a simple thermal management of the solution.



**FUNCTIONALITY**

Only 3 screws to assemble the hinged roof and fix the side covers to the monobloc structure.



**STRENGTH AND SAFETY**

With the door closed there are no points of access from the outside. Locking system with key.



**EASINESS**

Large cable entry and quick assembly of the front plinth crosspiece for an easy wiring.

Outdoor



Accessories, see page 250.

Outdoor



Pantone 2717U

#### IMPROVEMENTS

- Reversible door
- new plinth side crosspieces for an easy mounting
- lifting system with 2 eyebolts
- plate can be recessed flush with the uprights
- new silicone foam seal supplied as a standard.

#### CHARACTERISTICS

- Monobloc enclosure, roof, door and rear panel manufactured from aluminium alloy AlMg3 or sheet steel.
- welded monobloc structure with removable rear panel
- roof with ventilation slots and screwed to the monobloc enclosure
- exclusive frontal access with a door provided with a two-component silicone foam seal, 3 points lever-operated locking system and key lock
- 40mm high rain canopy with a 20mm overhang on all sides
- removable and screwed cable entry plates
- available with the double door for L=1200mm
- plinth H=100/200 available with front blank or ventilated crosspieces. \*

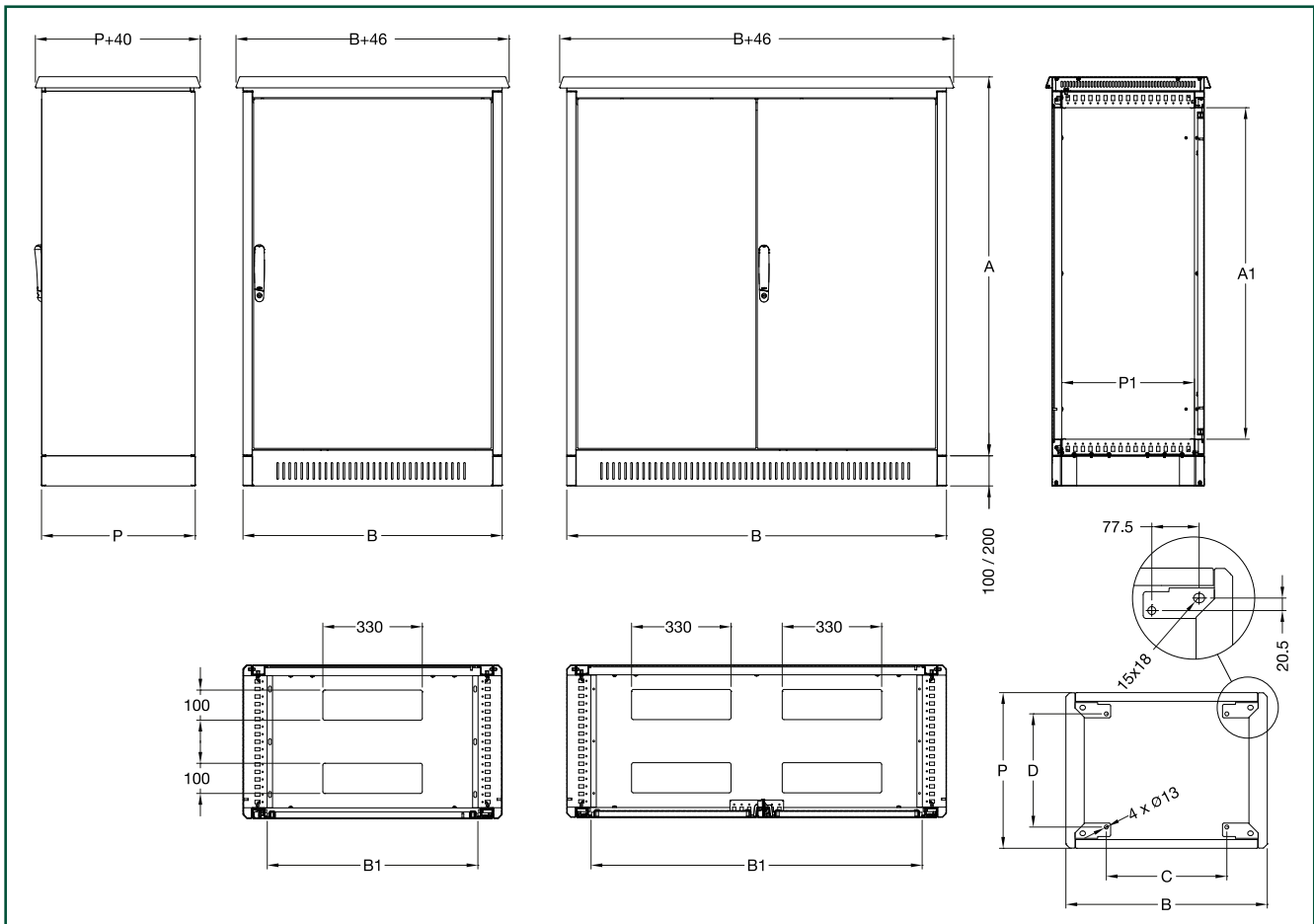
\* Plinth to be ordered separately

#### PAINT FINISH

- Mild steel version: Double layer of special powder coating: epoxy polyester resin primer and second polyester layer with anticorrosion pigments (RAL7035 smooth for the cabinet, Pantone 2717U smooth for roof and plinth)
- Aluminium alloy version: Special painting process with a single polyester powder coating with zinc base (RAL7035 smooth for enclosure, Pantone 2717U smooth for roof and plinth).

#### PROTECTION RATING

- IP56 (single door) and IP55 (double door) complying with IEC EN62208; EN62262
- protection degree guaranteed by the two-component silicone foam seal
- impact resistance IK 10 complying with IEC EN62208; EN62262.



## DIMENSIONAL SPECIFICATIONS

E VIS CODE	DIMENSIONS			CABINET DIMENSIONS			AVAILABLE SPACE		
	WIDTH	HEIGHT	DEPTH	B	A	P	B1	A1	P1
EVIS060804SA	600	800	400	660	858	410	500	700	340
EVIS061204SA	600	1200	400	660	1258	410	500	1100	340
EVIS061205SA	600	1200	500	660	1258	510	500	1100	440
EVIS061404SA	600	1400	400	600	1458	410	500	1300	340
EVIS080804SA	800	800	400	860	858	410	700	700	340
EVIS081204SA	800	1200	400	860	1258	410	700	1100	340
EVIS081205SA	800	1200	500	860	1258	510	700	1100	440
EVIS081404SA	800	1400	400	860	1458	410	700	1300	340
EVIS120804SA	1200	800	400	1260	858	410	1100	700	340
EVIS121204SA	1200	1200	400	1260	1258	410	1100	1100	340
EVIS121205SA	1200	1200	500	1260	1258	510	1100	1100	440
EVIS121404SA	1200	1400	400	1260	1458	410	1100	1300	340

**Note:** codes are referring to the single-walled solution manufactured from aluminium alloy. To order the single-walled sheet steel version, replace the suffix "A" with the suffix "M" (i.e.: EVIS060804SM).

**Note:** further dimensions available upon request.

Outdoor



Accessories, see page 250.

Outdoor



Pantone 2717U

#### IMPROVEMENTS

- Reversible door
- new plinth side crosspieces for an easy mounting
- lifting system with 2 eyebolts
- plate can be recessed flush with the uprights
- new silicone foam seal supplied as a standard.

#### CHARACTERISTICS

Monobloc enclosure, roof, door, rear panel and covers manufactured from aluminium alloy AlMg3 or sheet steel.

- welded monobloc structure with removable rear panel and provided with external covers
- rear and side covers fixed to the monobloc structure without the aid of screws, with a pre-defined mounting sequence and a logical system of joints
- hinged roof with ventilation slots frontally screwed to the frame of the monobloc enclosure
- exclusive frontal access with a double-wall door provided with a two-component silicone foam seal, 3 points lever-operated locking system and key lock
- 40mm high rain canopy with a 20mm overhang on all sides
- removable and screwed cable entry plates
- available with the double door for L=1200mm
- plinth H=100/200 available with front blank or ventilated crosspieces.\*

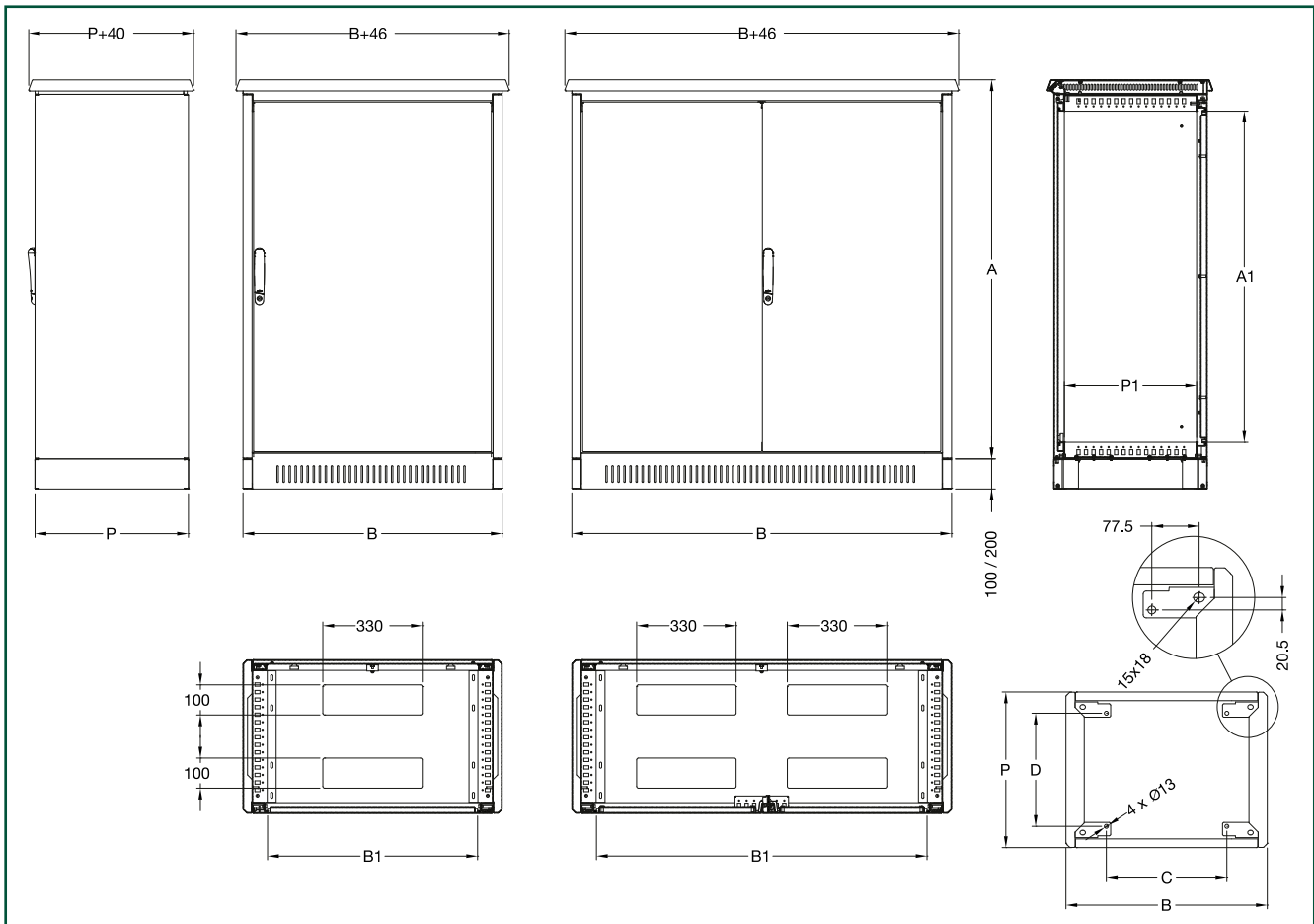
\* Plinth to be ordered separately

#### PAINT FINISH

- Mild steel version: Double layer of special powder coating: epoxypolyester resin primer and second polyester layer with anticorrosion pigments (RAL7035 smooth for the cabinet, Pantone 2717U smooth for roof and plinth)
- Aluminium alloy version: Special painting process with a single polyester powder coating with zinc base (RAL7035 smooth for enclosure, Pantone 2717U smooth for roof and plinth).

#### PROTECTION RATING

- IP56 (single door) and IP55 (double door) complying with IEC EN62208; EN62262
- protection degree guaranteed by the two-component silicone foam seal
- impact resistance IK 10 complying with IEC EN62208; EN62262.



## DIMENSIONAL SPECIFICATIONS

E VIS CODE	DIMENSIONS			CABINET DIMENSIONS			AVAILABLE SPACE		
	WIDTH	HEIGHT	DEPTH	B	A	P	B1	A1	P1
EVIS060804DA	600	800	400	660	858	410	500	700	340
EVIS061204DA	600	1200	400	660	1258	410	500	1100	340
EVIS061205DA	600	1200	500	660	1258	510	500	1100	440
EVIS061404DA	600	1400	400	600	1458	410	500	1300	340
EVIS080804DA	800	800	400	860	858	410	700	700	340
EVIS081204DA	800	1200	400	860	1258	410	700	1100	340
EVIS081205DA	800	1200	500	860	1258	510	700	1100	440
EVIS081404DA	800	1400	400	860	1458	410	700	1300	340
EVIS120804DA	1200	800	400	1260	858	410	1100	700	340
EVIS121204DA	1200	1200	400	1260	1258	410	1100	1100	340
EVIS121205DA	1200	1200	500	1260	1258	510	1100	1100	440
EVIS121404DA	1200	1400	400	1260	1458	410	1100	1300	340

**Note:** codes are referring to the double-walled solution manufactured from aluminium alloy. To order the double-walled sheet steel version, replace the suffix "A" with the suffix "M" (i.e.: EVIS060804DM).

**Note:** further dimensions available upon request.

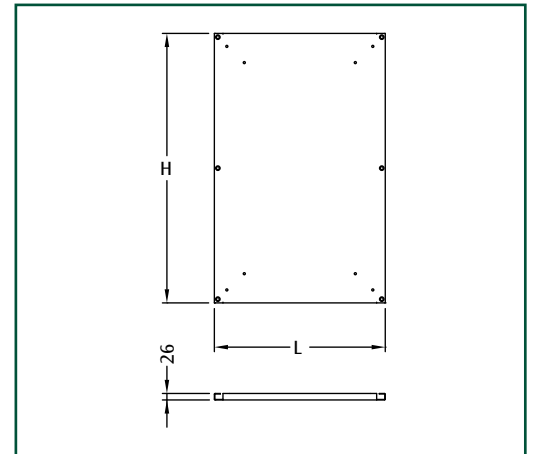
Outdoor



**FRONT INSERTED MOUNTING PLATE EVPA**

Manufactured from sendzimir sheet steel.

**Note:** to be ordered separately: mounting accessories WTAC-002.



**MOUNTING PLATE**

EVPA CODE	CABINET DIM.		M. PLATE DIM.	
	B	A	L	H
EVPA-060080	600	800	485	680
EVPA-060120	600	1200	485	1080
EVPA-060140	600	1400	485	1280
EVPA-080080	800	800	685	680
EVPA-080120	800	1200	685	1080
EVPA-080140	800	1400	685	1280
EVPA-120080	1200	800	1085	680
EVPA-120120	1200	1200	1085	1080
EVPA-120140	1200	1400	1085	1280

Outdoor



## MODULAR PLINTH EVZE

### CHARACTERISTICS

Front and lateral crosspieces with integrated corners manufactured from aluminium alloy AlMg3 or sheet steel.

### PAINT FINISH

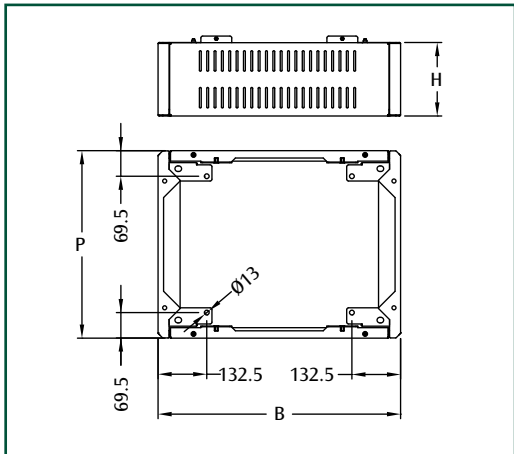
Mild steel version: Double layer of special powder coating: epoxy polyester resin primer and second polyester layer with anticorrosion pigments (Pantone 2717U smooth)

Aluminium alloy version: Special painting process with a single polyester powder coating with zinc base (Pantone 2717U smooth).

### SUPPLY

The plinth is composed by:

- two lateral blank crosspieces with integrated corners
- two front blank or ventilated crosspieces.



### LATERAL CROSSPIECES WITH CORNERS

EVZE CODE	DESCRIPTION	P
EVZE-T0400A	LATERAL CROSSPIECES WITH INTEGRATED CORNERS H=100	410
EVZE-T0500A	LATERAL CROSSPIECES WITH INTEGRATED CORNERS H=100	510

### FRONT CROSSPIECES

EVZE CODE	DESCRIPTION	B
EVZE-T0600A	FRONT BLANK CROSSPIECES H=100	660
EVZE-T0800A	FRONT BLANK CROSSPIECES H=100	860
EVZE-T1200A	FRONT BLANK CROSSPIECES H=100	1260

**Note:** codes are referring to the plinth in aluminium alloy.

**Note:** to order the plinth in the sheet steel version, replace the suffix "A" with the suffix "M" (i.e.: EVZE-T0400M).

**Note:** to order the frontal crosspieces with ventilation slots, add the suffix "V" to the code (i.e.: EVZE-T0400AV or EVZE-T0400MV).

**Note:** to order crosspieces with H=200, add the suffix "D" to the code (i.e.: EVZE-T0400AD or EVZE-T0400AVD).





### 19" RAILS AEMK

Designed for assembling 19" items or modular equipment on DIN rails

#### CHARACTERISTICS

Manufactured from zinc sheet steel.

#### SUPPLY

Includes nr. 2 pieces.

19" RAILS		
AEMK CODE	CABINET HEIGHT	HE
AEMK150800	800	15
AEMK241200	1200	24
AEMK291400	1400	29



### BRACKETS AEP0070

Brackets manufactured from zinc sheet steel, used for the mounting of 19" uprights on cabinets W=600mm.

#### SUPPLY

Includes nr. 4 pieces.



### WIDTH RAILS AEP0098

Rails for the mounting of 19" rack uprights (AEMK, AERL, AERC) on E VIS cabinets with W=800mm. Manufactured from sendzimir sheet steel.

#### SUPPLY

Includes nr. 2 pieces.

WIDTH RAILS	
AEP CODE	WIDTH
AEP0098	800

**Note:** to be ordered separately AEP0070 (nr. 4 pieces) for the assembly of 19" rack rails.

Outdoor

### EYEBOLTS WTGS-004

#### CHARACTERISTICS

Zinc-passivated M12 lifting eyebolts.

#### SUPPLY

Includes nr. 2 pieces with mounting accessories.

### DOOR STOP WTFP-008

Allows the mechanical stop of the door at 95°.

#### SUPPLY

Includes 1 piece with accessories.

### WE LOCKING SYSTEMS

For WE locking systems and inserts that are different from the standard solutions with the key, see page 53.



### THERMAL MANAGEMENT

Outdoor applications, that are exposed to different temperature gradients and to a continuous solar irradiation, need a good conditioning to constantly ensure the proper functioning of the electrical and electronic equipment installed.

In order to handle these issues in an appropriate way, in addition to the standard items for ventilation and heating, we offer a choice of specific outdoor conditioners, to be installed inside or outside the cabinet and a wide range of accessories (anti-condensation heaters etc.)

**Note:** for further information, see Thermal Management section (page 291).

Outdoor

Cable glands for outdoor applications are available (see pages 257 and 258).





### EMC SOLUTIONS

The EC Directive on electromagnetic compatibility applies to equipment and units that can generate/ receive electromagnetic waves and liable to cause interferences, altering the correct functioning of electronic equipment installed in the cabinets.

Our products, not being a source of electromagnetic waves, go beyond the dispositions of the Directive, but they can act as a barrier of the electromagnetic waves which propagate from the internal and external source: this allows a significant damping of the electromagnetic field strength (both the electric and the magnetic components of the field) and, as a consequence, of the disturbance that they cause to the equipment.

### BENEFITS

Structural features	High protection
Constructive concepts and performing materials	Customer support to comply with the Directive
Variety of solutions, cabinets and boxes	Flexibility
Compliance to the industry standards	Safety

EMC



**CHARACTERISTICS**

The profile used for uprights and crosspieces is unique, manufactured from high-strength low-alloy sheet steel, closed with continuous welding and free of sharp edges. The bottom is a single piece with box type structure manufactured from press-bent welded profiles of high-strength low-alloy sheet steel. The frame corners are manufactured in a special steel with orthogonal joints laser welded to vertical upright rails and horizontal rails for the roof and bottom. Only 8 high-strength low-alloy screws are necessary to mount the structure, while two position pins allow the easy mounting of the two parts of the joint.

**PAINT FINISH**

- ETA standard epoxy polyester powder coating.
- door and rear panel (external): RAL 7035 textured finish
  - roof (external): RAL 5020 textured finish.

**ASSEMBLED E NUX CABINET**

- structure manufactured from high-strength low-alloy galvanized sheet steel
- door manufactured from sheet steel, galvanized on both sides and painted only externally, with stiffening frame, complete with  $\varnothing$  3 mm lever-operated double bar locking system
- rear panel and removable roof galvanized on both sides and painted only externally
- bottom manufactured from high-strength low-alloy galvanized sheet steel, provided with a single galvanized base plate
- shielding and conductive gasket positioned on the structure and the bottom.

**E NUX CABINET**

ASSEMBLED CABINET CODE	DIMENSIONS		
	WIDTH	HEIGHT	DEPTH
ENUX062006PRZ	600	2000	600
ENUX082006PRZ	800	2000	600
ENUX062008PRZ	600	2000	800
ENUX082008PRZ	800	2000	800

**Note:** further dimensions available on request.

**Note:** for plexi door version, it is available on request a window manufactured from polycarbonate or methacrylate, with the internal part manufactured from a wire mesh that allows the vision of the internal instrumentation without altering significantly the offered shielding values.

EMC cabinets tested at the Nemko SpA laboratory. For more details, refer to the Technical section on page 327.

**PROTECTION RATING**

NEMA 1 complying with UL508, UL50.

**SIDE PANELS EUFI**

**CHARACTERISTICS**

Manufactured from sheet steel with folded sides, galvanized on both sides and painted only externally.

**PAINT FINISH**

ETA standard epoxy polyester powder coating.  
Colour: RAL 7035 textured finish.

**SUPPLY**

- two side panels
- rapid fasten couplers
- mounting accessories.

**Note:** further dimensions are available upon request.



**SIDE PANELS**

EUFI CODE	DIMENSIONS	
	HEIGHT	DEPTH
EUFI060200EMC	2000	600
EUFI080200EMC	2000	800

EMC

## JOINING KIT EUKU-002EMC

Used to join together E NUX EMC cabinets.

### SUPPLY

Includes:

- 8 connection blocks
- conductive, shielding and adhesive gasket
- mounting accessories.



## ST EMC BOXES

Enclosure and reversible door manufactured from 1.5 mm thick sheet steel. Flat mounting plate manufactured from 2.5 mm thick galvanized sheet steel.

### SUPPLY

The box includes:

- galvanized enclosure, painted only externally
- galvanized mounting plate
- galvanized door, painted only externally, complete with locking system body in chromed zinc alloy and lever in stainless steel with  $\varnothing$  3 mm double bar key
- conductive and shielding gasket
- set of screws for grounding and mounting plate assembling.

### PAINT FINISH

ETA standard epoxy polyester powder coating.  
Colour: RAL 7035 textured finish.

### PROTECTION RATING

NEMA 1 complying with UL508; UL50.



### ST BOXES

STE CODE	BOX DIMENSIONS		
	WIDTH	HEIGHT	DEPTH
STE4420	400	400	200
STE4620	400	600	200
STE6630	600	600	300



## SD EMC TERMINAL BOXES

Enclosure and cover manufactured from 1.2 mm thick sheet steel.

### SUPPLY

The box includes:

- galvanized enclosure, painted only externally
- galvanized cover, painted only externally, fixed with captive screws and provided with holes for the application of hinges
- conductive and shielding gasket
- set of screws for cover fixing.

### PAINT FINISH

ETA standard epoxy polyester powder coating.  
Colour: RAL 7035 textured finish.

### PROTECTION RATING

NEMA 1 complying with UL508; UL50.



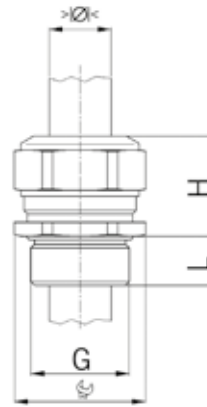
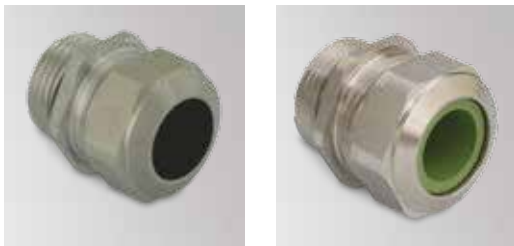
### SD BOXES

SDVE CODE	BOX DIMENSIONS		
	WIDTH	HEIGHT	DEPTH
SDVE3312	300	300	120
SDVE5312	500	300	120

For your special projects, we offer a wide range of tested cable glands that have been designed to guarantee safe and performing solutions!


From simplified to complex and harsh applications areas, a specific solution for the cabling is available:

1. Generic industrial business
2. Transportation: high vibrating loads and high levels of chemical pollution
3. Marine industry: specific requirements
4. Electronically-controlled substations: EMC requirements
5. Food industries: anti-bacterial substances for high level of safety
6. Chemical industry and off-shore: potentially explosive atmospheres



**STAINLESS STEEL CABLE GLANDS**

Material: stainless steel  
 Seal: TPE for A2; FPM for A4  
 O-ring: NBR for A2; FPM for A4  
 Strain relief: Ver. A  
 Temperature range: -40° / + 100°C for A2; -40° / + 200°C for A4  
 Protection rating: IP 68 up to 10 bar

STAINLESS STEEL CABLE GLANDS								
Long entry thread metric, two-piece sealing insert not overall length insulated								
G	>Ø< min mm	>Ø< max mm	 mm	H mm	L mm	CODE (STAINLESS STEEL A2)	CODE (STAINLESS STEEL A4)	M.o.q.
M16x1.5	6.0	10.5	19	20	10	WP17105X2	WP17105X4	50
M20x1.5	8.0	15.0	24	21	10	WP20150X2	WP20150X4	50
M25x1.5	12.5	20.5	30	25	11	WP25205X2	WP25205X4	25
M32x1.5	17.0	25.5	36	28	13	WP32255X2	WP32255X4	25
M40x1.5	24.0	33.0	46	31	13	WP40330X2	WP40330X4	10
M50x1.5	33.0	42.0	55	34	14	WP50420X2	WP50420X4	10
M63x1.5	40.0	52.0	70	37	14	WP63520X2	WP63520X4	5

Note: stainless steel A4 is acid-resistant and suitable for high temperatures.

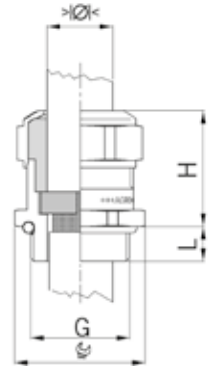
Harsh environments



### CABLE GLANDS FOR EMC APPLICATIONS


This range guarantees full control during installation and compensates for tolerances in shielding thicknesses to make a secure screened tap connection. The spring system provides for a very good contact of partially stripped shielding cables equally as well as for the contact of completely exposed cable shields which can be routed further.

Material: nickel-plated brass  
 Contact spring: steel 1.4310  
 Seal: TPE  
 O-ring: NBR  
 Strain relief: according to IEC EN 6244, Ver. A  
 Temperature range: -40° / + 100°C  
 Protection rating: IP 68 / IP 69K



### CABLE GLANDS FOR EMC APPLICATIONS

Two-piece sealing insert, not overall length insulated

G	>Ø< min mm	>Ø< max mm	 mm	H mm	L mm	Code (short entry thread metric)	L mm	CODE (long entry thread metric)	M.o.q.	NOTE
M12x1.5	3.5	5.0	15	22	5	WP12050EC	10	WP12050EL	50	1
M12x1.5	5.0	6.5	15	22	5	WP12065EC	10	WP12065EL	50	1
M16x1.5	6.0	10.5	18	25	5	WP17105EC	10	WP17105EL	50	-
M20x1.5	8.0	15.0	24	27	6	WP20150EC	10	WP20150EL	50	-
M25x1.5	12.5	20.5	30	33	7	WP25205EC	11	WP25205EL	25	-
M32x1.5	17.0	25.5	36	33	8	WP32255EC	13	WP32255EL	25	-
M40x1.5	24.0	33.0	46	38	8	WP40330EC	13	WP40330EL	10	2
M50x1.5	33.0	42.0	55	42	9	WP50420EC	14	WP50420EL	10	2
M63x1.5	40.0	52.0	70	42	10	WP63520EC	14	WP63520EL	5	2

1 - one piece sealing insert  
 2 - approval pending

### FURTHER OPTIONS AVAILABLE

#### CABLE GLANDS FOR FOOD INDUSTRY

Ultra-flat cable glands offering very little surface for contamination; manufactured from stainless steel A2, temperature range -40°/+200° and protection rating IP68. Available with or without EHEDG certification.

#### CABLE GLANDS FOR OUTDOOR APPLICATIONS

Ultra-flat cable glands inhibiting any manipulation from outside, with no contact surface for interference. Manufactured from nickel-plated brass, temperature range -40°/+100° and protection rating IP68.

#### CABLE GLANDS FOR POTENTIALLY EXPLOSIVE ATMOSPHERES

Cable glands designed for Ex d IIC and increased safety Ex e II applications; manufactured in nickel-plated brass (stainless steel version available on request), temperature range -60°/+100°, protection rating IP68.

Certificate: EC-Type PTB 10 ATEX 1034X / IECEx PTB 12.0055  
 Certificate: SEV 15 ATEX 0152X / IECEx SEV 15.0019X

For any further request, do not hesitate to contact our Sales team.



Harsh environments



**MULTIPLIESTHEEXPERIENCE**

**COMPLETE  
SYSTEM**

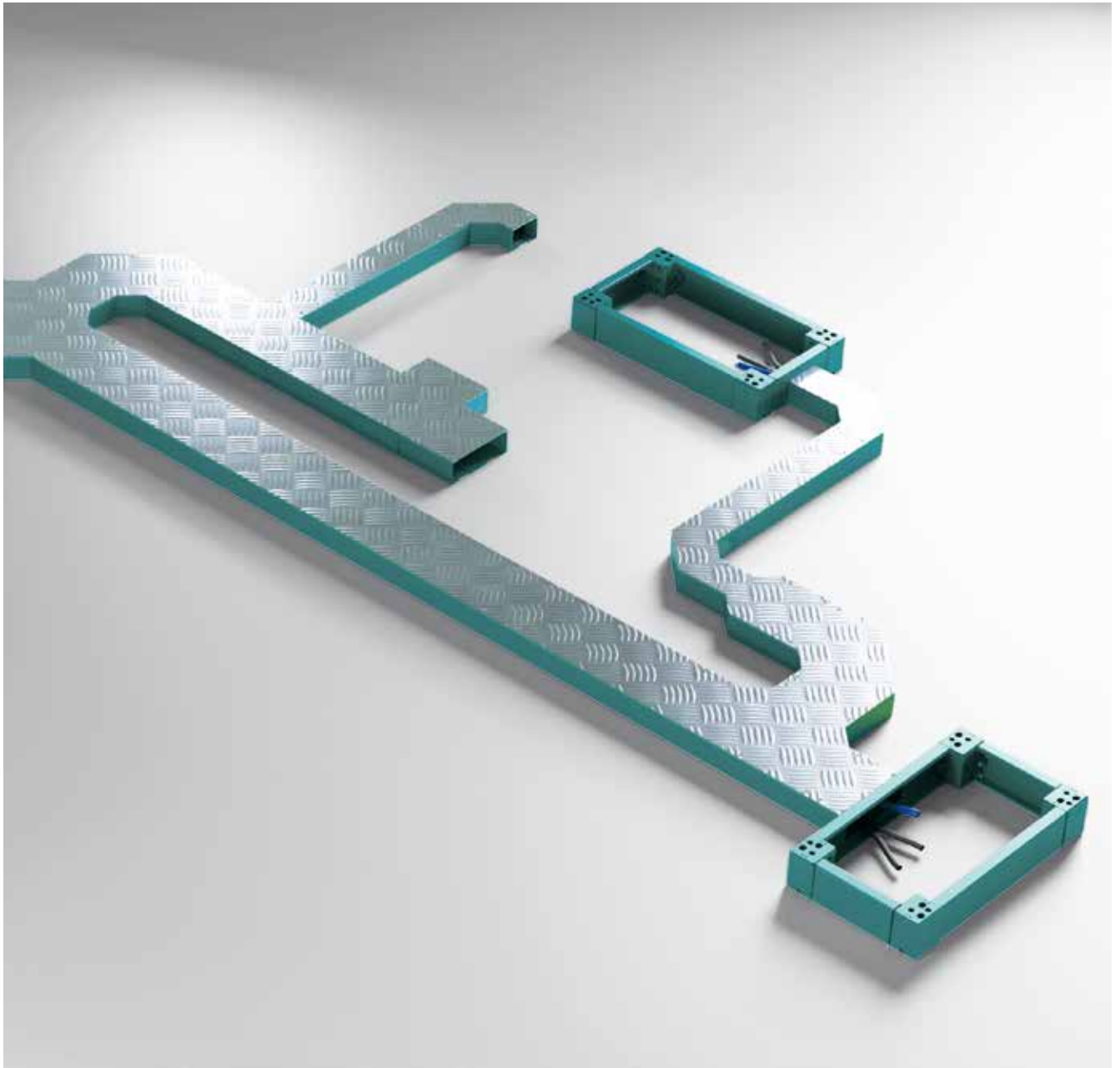
BIONIQ  
BIONIQ LIGHT

**CABLE TRAY SYSTEM E RIVI**

**PENDANT ARM SYSTEM**

**THERMAL MANAGEMENT ETHERMO**





e rivi

## CABLE TRAY SYSTEM

The efficiency and operation of a plant depend on the quality of its constituent elements: in this respect, and in order to deliver a real “complete system”, ETA offers a system of walk-able cable conduits for floor installation.

**STURDY** construction based on the use of 2.0 mm thick sheet steel for the manufacturing of elements.

**SAFETY** guaranteed by the 3.0 mm thick checkerplate alloyed aluminium coating, non-slipping and walk-able.

**PROTECTION** of the cabling system from the conduit and crosspiece front system of the plinth.

**MODULAR** composition based on elements of different lengths that build up the system and allow to create different combinations.

**FLEXIBLE** system composition with different modules and connections (star, T-shaped, L-shaped, etc) to meet different installation requirements.

**EASY** assembling thanks to the element hanging system with quick snap-in mechanism.

## PLINTH FRONT CROSSPIECE FOR CABLE CONDUIT EUZE

### CHARACTERISTICS

Manufactured from 2.0 mm thick press bent sheet steel.

### PAINT FINISH

ETA epoxy polyester powder coating.  
Colour: RAL 5020 textured finish.

### SUPPLY

One front crosspiece for cable conduit and one blank front crosspiece

- Type 1: a drilled crosspiece for flanges (flanges to be ordered separately, see codes on page 262) and a blank crosspiece
- Type 2: one crosspiece with adjustable flange and one blank crosspiece.

To complete the modular plinth, please order:

- corner pieces: supply includes 4 pieces complete with front covers and mounting hardware
- side crosspieces: supply includes 2 pieces.

**Note:** to complete the plinth, see page 58.

## PLINTH CROSSPIECE FOR CABLE CONDUIT

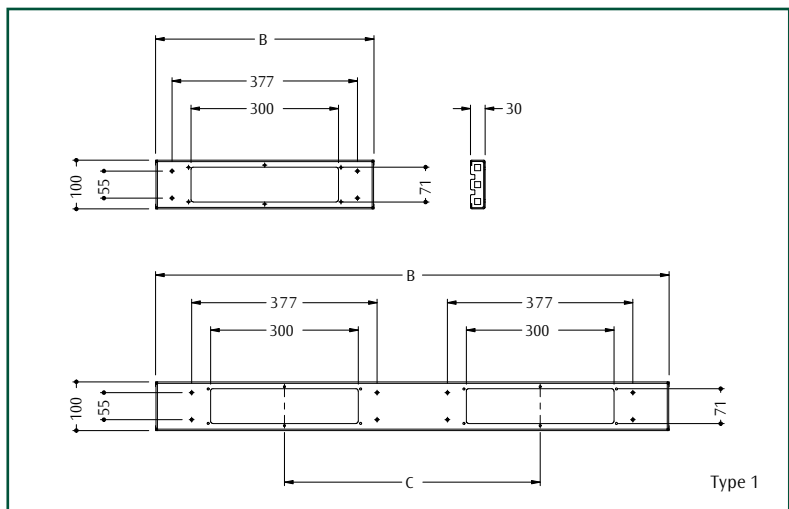
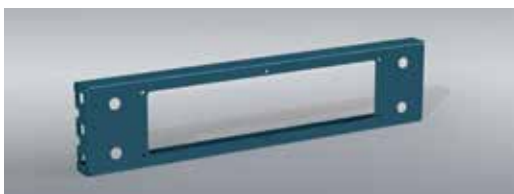
EUZE CODE	DESCRIPTION
EUZE-T0600CN1	PLINTH CROSSPIECES TYPE 1 W=600
EUZE-T0800CN1	PLINTH CROSSPIECES TYPE 1 W=800
EUZE-T1000CN1	PLINTH CROSSPIECES TYPE 1 W=1000
EUZE-T1200CN1	PLINTH CROSSPIECES TYPE 1 W=1200
EUZE-T1400CN1	PLINTH CROSSPIECES TYPE 1 W=1400
EUZE-T1600CN1	PLINTH CROSSPIECES TYPE 1 W=1600

## PLINTH CROSSPIECE FOR CABLE CONDUIT

EUZE CODE	DESCRIPTION
EUZE-T0600CN2	PLINTH CROSSPIECES TYPE 2 W=600
EUZE-T0800CN2	PLINTH CROSSPIECES TYPE 2 W=800
EUZE-T1000CN2	PLINTH CROSSPIECES TYPE 2 W=1000
EUZE-T1200CN2	PLINTH CROSSPIECES TYPE 2 W=1200
EUZE-T1400CN2	PLINTH CROSSPIECES TYPE 2 W=1400
EUZE-T1600CN2	PLINTH CROSSPIECES TYPE 2 W=1600

### DIMENSIONAL SPECIFICATIONS

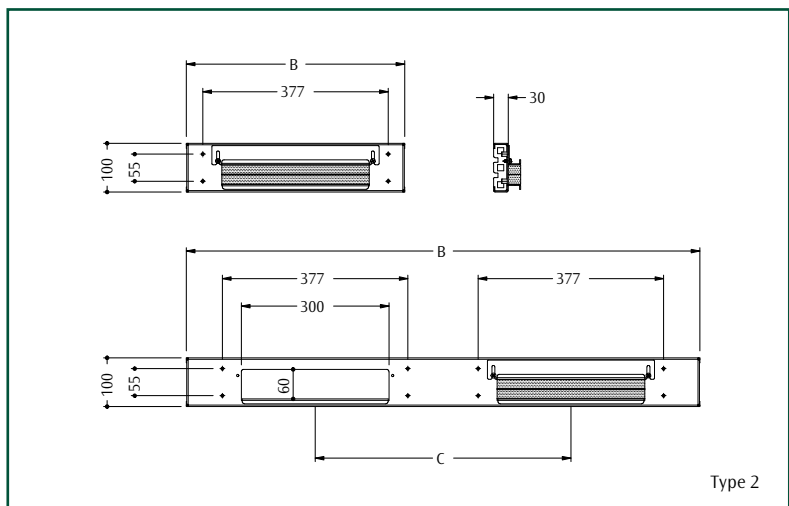
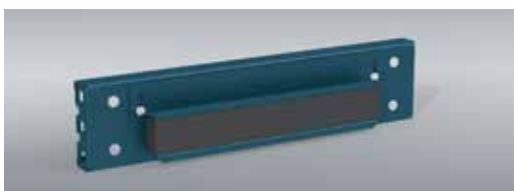
CABINET WIDTH	B	NO. OF FLANGES	C
600	444	1	—
800	644	1	—
1000	844	1	—
1200	1044	2	520
1400	1244	2	620
1600	1444	2	720



Type 1

### DIMENSIONAL SPECIFICATIONS

CABINET WIDTH	B	NO. OF FLANGES	C
600	444	1	—
800	644	1	—
1000	844	1	—
1200	1044	2	520
1400	1244	2	620
1600	1444	2	720



Type 2

Cable tray

### FLANGE FOR CROSSPIECES TYPE 1

#### CHARACTERISTICS

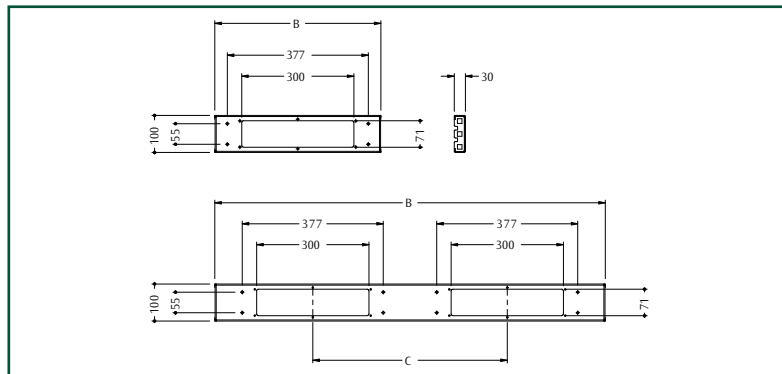
Manufactured from 2.0 mm thick sheet steel.

#### PAINT FINISH

ETA epoxy polyester powder coating.  
Colour: RAL 5020 textured finish.

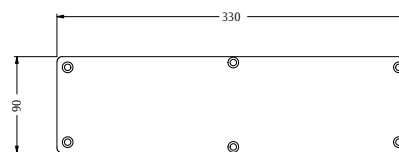
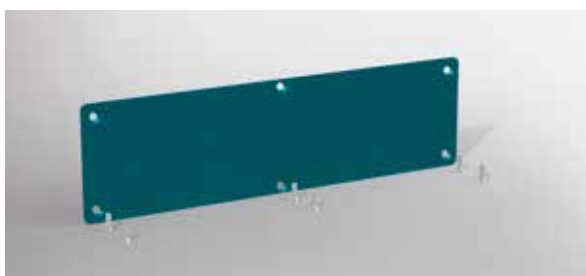
#### SUPPLY

Includes 1 piece complete with mounting accessories.



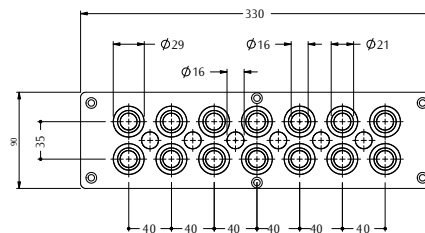
EUZE-FA001

BLANK  
FLANGE



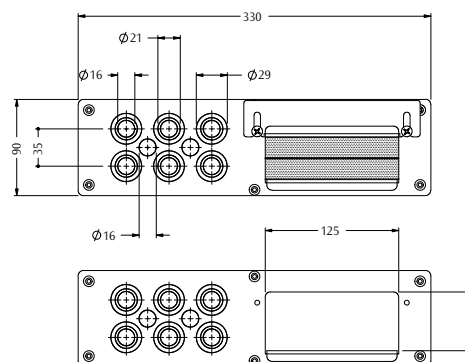
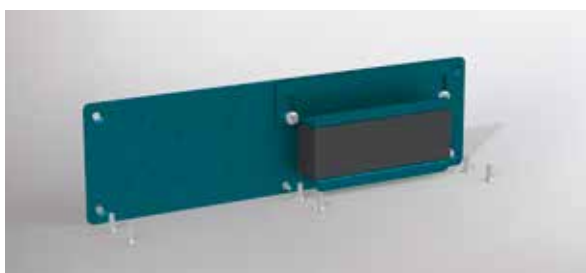
EUZE-FB001

PRE-DRILLED  
FLANGE  
FOR CABLE  
GLAND



EUZE-FC001

PRE-  
DRILLED  
FLANGE  
FOR CABLE  
GLAND  
+ CABLE  
SPONGE



### CONDUIT-PLINTH CONNECTION EUCN200CZ

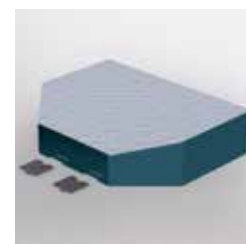
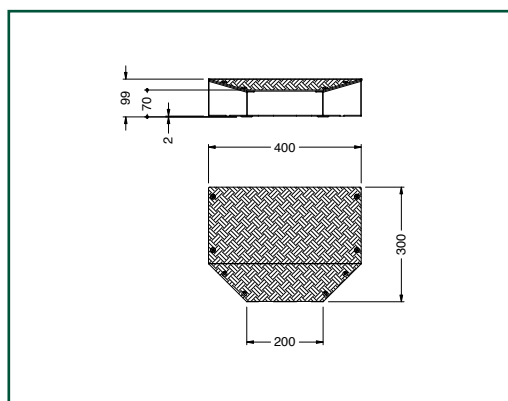
To simplify the installation of incoming and outgoing cables and the connection of cables inside the cabinet.

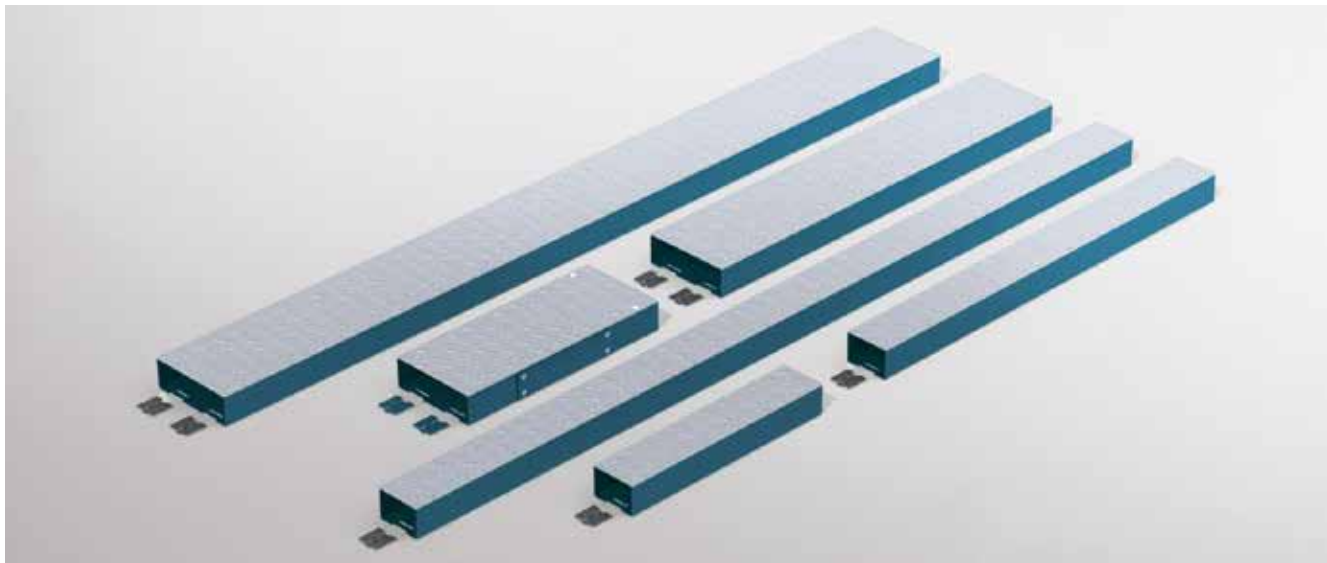
#### CHARACTERISTICS/SUPPLY

Manufactured from 2.0 mm thick sheet steel with M6x15 stud and 3.0 mm thick checkerplate alloyed aluminium coating. Supply includes one piece with mounting accessories.

#### PAINT FINISH

Parts manufactured from sheet steel: ETA epoxy polyester powder coating.  
Colour: RAL 5020 textured finish.





### CONDUIT BASE EUCN

Available in 100 and 200 mm widths, it is delivered in three standard lengths of 500, 1000 and 2000 mm to meet different application requirements (blank, with flanges EUCN - F o for joining with cable bundling EUCN - C).

#### CHARACTERISTICS/SUPPLY

Manufactured from 2.0 mm thick sheet steel with M6x15 stud and 3.0 mm thick checkerplate alloyed aluminium coating.

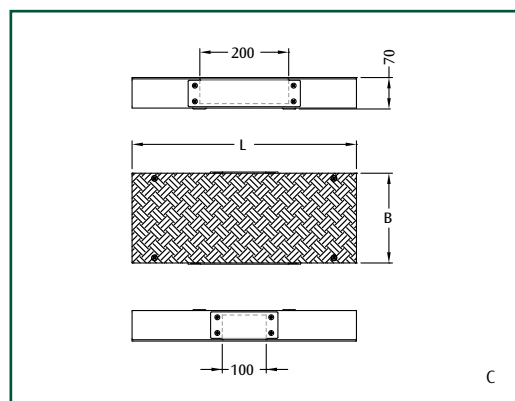
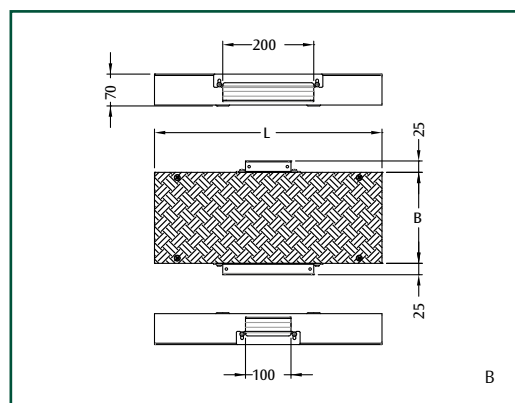
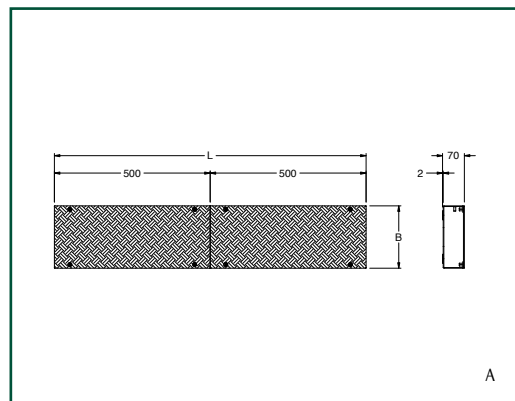
Supply includes one piece with mounting accessories. Conduit base supplied in a single piece, covers manufactured from checkerplate alloyed aluminium coating L= 500 mm.

#### PAINT FINISH

Parts manufactured from sheet steel: ETA epoxy polyester powder coating.

Colour: RAL 5020 textured finish.

CONDUIT BASE				
	EUCN CODE	DIMENSIONS		NO. FLANGES
		L	B	
A	EUCN05010	500	100	-
A	EUCN05020	500	200	-
A	EUCN10010	1000	100	-
A	EUCN10020	1000	200	-
A	EUCN20010	2000	100	-
A	EUCN20020	2000	200	-
B	EUCN05010F	500	100	2
B	EUCN05020F	500	200	2
C	EUCN05010C	500	100	2
C	EUCN05020C	500	200	2



Cable tray



### CONDUIT BASE CLOSING MODULE

#### CHARACTERISTICS/SUPPLY

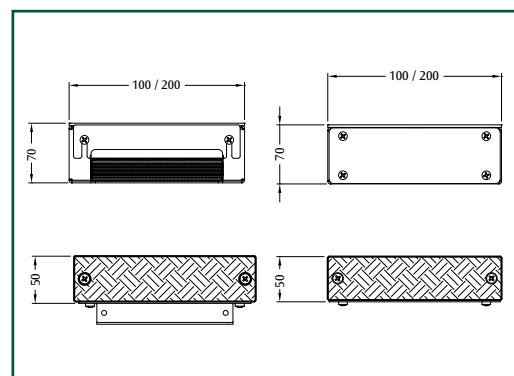
Manufactured from 2.0 mm thick sheet steel, with a 3.0 mm thick checkerplate alloyed aluminium coating, available in blank version or with cable entry. Supply includes one piece with mounting accessories.

#### PAINT FINISH

Parts manufactured from sheet steel: ETA epoxy polyester powder coating.  
Colour: RAL 5020 textured finish.

### CONDUIT BASE CLOSING MODULE

EUCN CODE	WIDTH	VERSION
EUCN100CC	100	BLANK
EUCN100CF	100	WITH CABLE ENTRY
EUCN200CC	200	BLANK
EUCN200CF	200	WITH CABLE ENTRY



### 90-DEGREE WALL FLANGE EUCN200PA

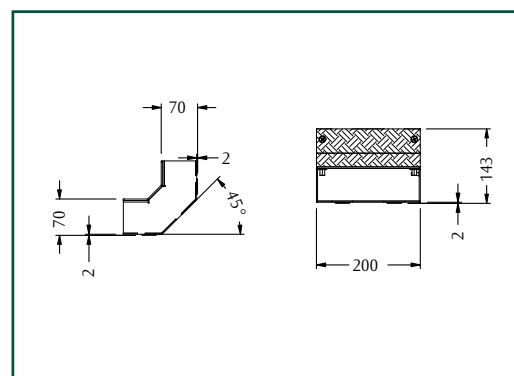
For simplified cable rise to the machine or to the wall.

#### CHARACTERISTICS/SUPPLY

Manufactured from 2.0 mm thick sheet steel with M6x15 stud and 3.0 mm thick checkerplate alloyed aluminium coating. Supply includes one piece with mounting accessories.

#### PAINT FINISH

Parts manufactured from sheet steel: ETA epoxy polyester powder coating.  
Colour: RAL 5020 textured finish.



### TELESCOPIC ELEMENT

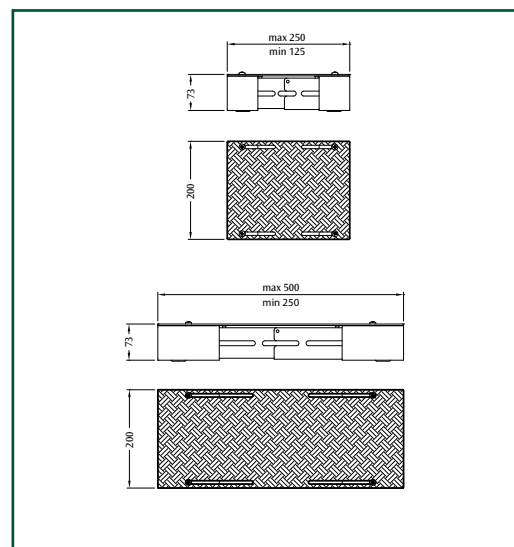
#### CHARACTERISTICS/SUPPLY

Manufactured from 2.0 mm thick sheet steel with M6x15 stud and 3.0 mm thick checkerplate alloyed aluminium coating. Supply includes one piece with mounting accessories.

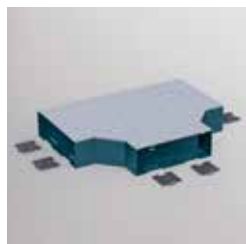
#### PAINT FINISH

Parts manufactured from sheet steel: ETA epoxy polyester powder coating.  
Colour: RAL 5020 textured finish.

TELESCOPIC ELEMENT	
EUCN CODE	WIDTH
EUCN200TLA	125-250
EUCN200TLB	250-500



Cable tray



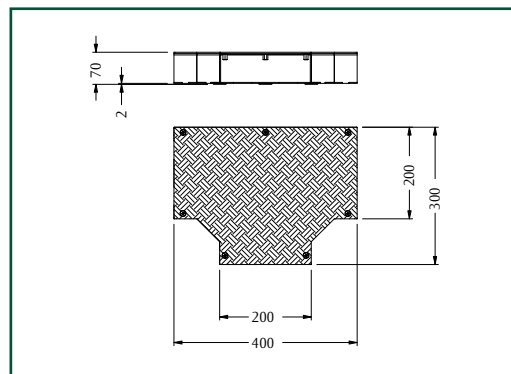
### T-JOINT EUCN200RT

#### CHARACTERISTICS/SUPPLY

Manufactured from 2.0 mm thick sheet steel with 2 studs M6x15 and 3.0 mm thick checkerplate alloyed aluminium coating. Supply includes one piece with mounting accessories.

#### PAINT FINISH

Parts manufactured from sheet steel: ETA epoxy polyester powder coating.  
Colour: RAL 5020 textured finish.



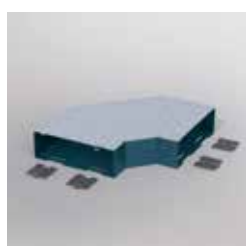
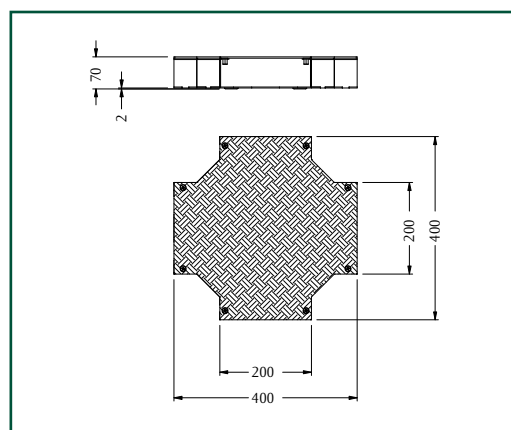
### STAR JOINT EUCN200RS

#### CHARACTERISTICS/SUPPLY

Manufactured from 2.0 mm thick sheet steel with 2 studs M6x15 and 3.0 mm thick checkerplate alloyed aluminium coating. Supply includes one piece with mounting accessories.

#### PAINT FINISH

Parts manufactured from sheet steel: ETA epoxy polyester powder coating.  
Colour: RAL 5020 textured finish.



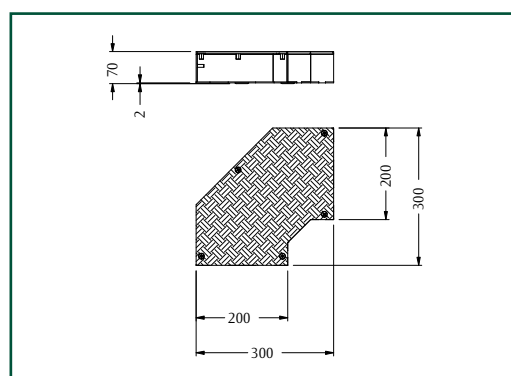
### 90-DEGREE JOINT W=200 EUCN200RA

#### CHARACTERISTICS/SUPPLY

Manufactured from 2.0 mm thick sheet steel with 2 studs M6x15 and 3.0 mm thick checkerplate alloyed aluminium coating. Supply includes one piece with mounting accessories.

#### PAINT FINISH

Parts manufactured from sheet steel: ETA epoxy polyester powder coating.  
Colour: RAL 5020 textured finish.



### CABLE BUNDLING W=200 EUCN200CO

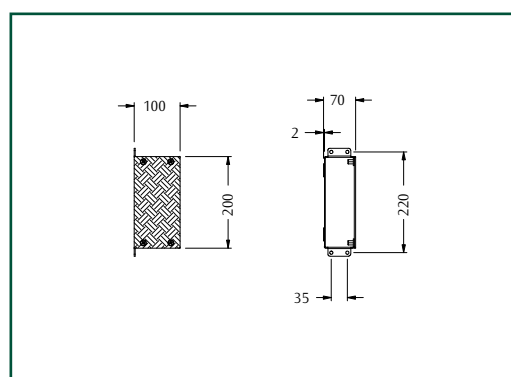
To allow the cable exit from the plinth. Punched plinth crosspieces are available upon request.

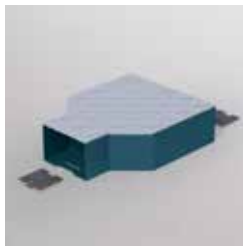
#### CHARACTERISTICS/SUPPLY

Manufactured from 2.0 mm thick sheet steel and 3.0 mm thick checkerplate alloyed aluminium coating. Supply includes one piece with mounting accessories.

#### PAINT FINISH

Parts manufactured from sheet steel: ETA epoxy polyester powder coating.  
Colour: RAL 5020 textured finish.





**CONDUIT 200/100 REDUCER JOINT  
EUCN200RC**

**CHARACTERISTICS/SUPPLY**

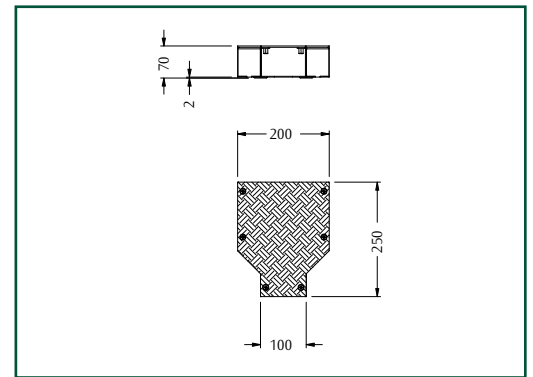
Manufactured from 2.0 mm thick sheet steel with M6x15 stud and 3.0 mm thick checkerplate alloyed aluminium coating.

Supply includes one piece with mounting accessories.

**PAINT FINISH**

Parts manufactured from sheet steel: ETA epoxy polyester powder coating.

Colour: RAL 5020 textured finish.



**CABLE BUNDLING W=100 EUCN100CO**

To allow the cable exit from the plinth. Punched plinth crosspieces are available upon request.

**CHARACTERISTICS/SUPPLY**

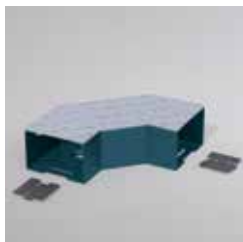
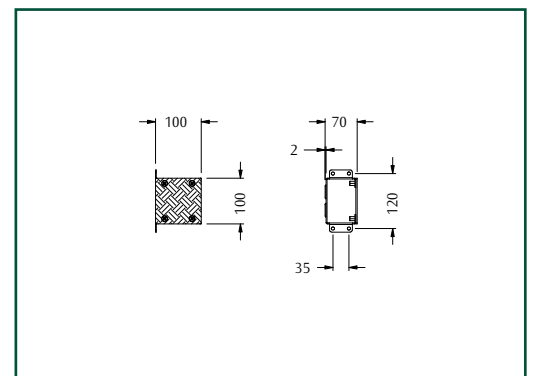
Manufactured from 2.0 mm thick sheet steel and 3.0 mm thick checkerplate alloyed aluminium coating.

Supply includes one piece with mounting accessories.

**PAINT FINISH**

Parts manufactured from sheet steel: ETA epoxy polyester powder coating.

Colour: RAL 5020 textured finish.



**90-DEGREE JOINT W=100 EUCN100RA**

**CHARACTERISTICS/SUPPLY**

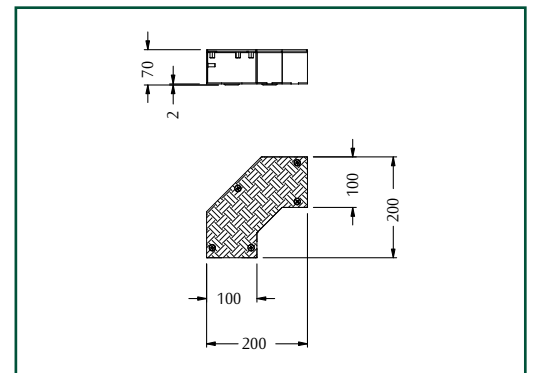
Manufactured from 2.0 mm thick sheet steel with 2 studs M6x15 and 3.0 mm thick checkerplate alloyed aluminium coating.

Supply includes one piece with mounting accessories.

**PAINT FINISH**

Parts manufactured from sheet steel: ETA epoxy polyester powder coating.

Colour: RAL 5020 textured finish.



**HOW TO ORDER THE CABLE TRAY SYSTEM**

Evaluate the area on the side of the machine that is available for the cable system.

Identify the dimension of the front/rear plinth crosspiece (EUZE-T...CN...) and the type (CN1 or CN2).

I.e. L=EUZE-T0600CN1 – A front crosspiece for each conduit with 1 flange and a rear blank crosspiece.

In case you order type 1, you have to complete the order with one of the three types of closing flanges EUZE-F (flange doesn't change with different plinth width).

Order the conduit-plinth joint EUCN200CZ (which is compatible with any plinth width because the flange opening is the same).

Complete your order by choosing among the alternatives of the conduit base EUCN (available in various length and in 100 mm or 200 mm width) and the standard joints.

Please remind that the standard width of the joints is 200 mm; it is available the conduit 200/100 reducer joint EUCN200RC to join together the conduit base L=100 and the other elements.





## SUSPENSION ARM SYSTEM

### FEATURES

Bioniq is the pendant system for control interfaces that is presented to combine design and technology. It is designed as a real “system”, manufactured from aluminium alloy and uses its modularity on the three dimensional axes.

- The BQC operator panel enclosure and the BQK keyboard enclosure are customizable in width, height and depth, on the base of the man-machine interface that have to be inserted.
- The BQPA pendant arm system can be composed on the base of the type of application (it can be fixed on the roof, on the wall or on pedestal).
- Wide range of accessories.

Suspension  
arm system





## CHARACTERISTICS

Structure made from alloyed aluminium with extruded profiles joined by means of die-cast angular pieces.

## PAINT FINISH

Thermosetting epoxy polyester powder for aluminium coating (RAL 9006 silver).

## PROTECTION RATING

NEMA 1 in compliance with UL508A; UL50.

## SELECTION

To select the operator panel enclosure, indicate the generic family code, classified according to depth as in the table hereunder, and simply indicate the width and height dimensions. When ordering, also specify if the suspension arm shall be fixed to the roof (T) or bottom (B) of the enclosure or if it is a desk version (P).

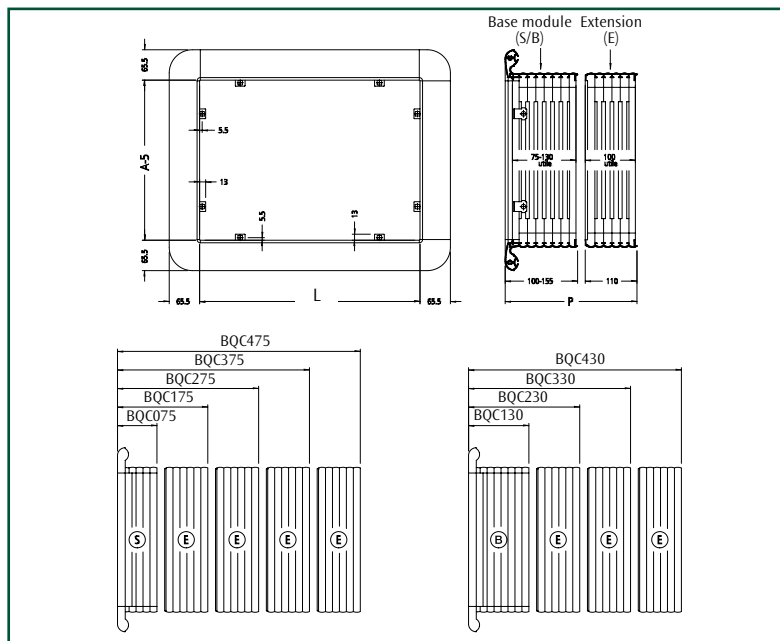
## WIDTH AND HEIGHT

Thanks to a high degree of customization, you can choose the width (L) and the height (A) of the operator panel on the base of the equipment that have to be inserted.

## DEPTH

The enclosure depth must be selected from the base modules with two different depths, as follows:

- small module (S) with useful internal depth of 75 mm
  - big module (B) with useful internal depth of 130 mm.
- The base modules can be expanded with extensions (E) with useful internal depth of 100 mm.



## SELECTION PROCEDURE

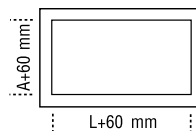
					W+60 mm	H+60 mm	T/B/P
S	B	Q	C	0 7 5			
B	B	Q	C	1 3 0			
S + E	B	Q	C	1 7 5			
B + E	B	Q	C	2 3 0			
S + 2E	B	Q	C	2 7 5			
B + 2E	B	Q	C	3 3 0			
S + 3E	B	Q	C	3 7 5			
B + 3E	B	Q	C	4 3 0			
S + 4E	B	Q	C	4 7 5			

T = fixing of BQPA pendant arm system on BQC enclosure roof

B = fixing of BQPA pendant arm system on BQC enclosure bottom

P = fixing of BQC enclosure on the desk.

- All dimensions are given in mm
- For dimensions above 999 mm, please contact the ETA sales office
- Complete the configuration with BQBP rear panel, BQWA-003 hinges and BQFR front panel if necessary
- The minimum depth of the BQC operator panel enclosure shall be 130 mm (if the BQPA pendant arm system is used)





## CHARACTERISTICS

Structure made from alloyed aluminium with extruded profiles joined by means of die-cast angular pieces.

## PAINT FINISH

Thermosetting epoxy polyester powder for aluminium coating (RAL 9006 silver).

## PROTECTION RATING

NEMA 1 in compliance with UL508A; UL50.

## SELECTION

To select the keyboard enclosure, indicate the generic family code, classified according to depth, and indicate the width and height dimensions.

## WIDTH AND HEIGHT

Thanks to a high degree of customization, you can choose the width (L) and the height (A) of the operator panel on the base of the equipment that have to be inserted.

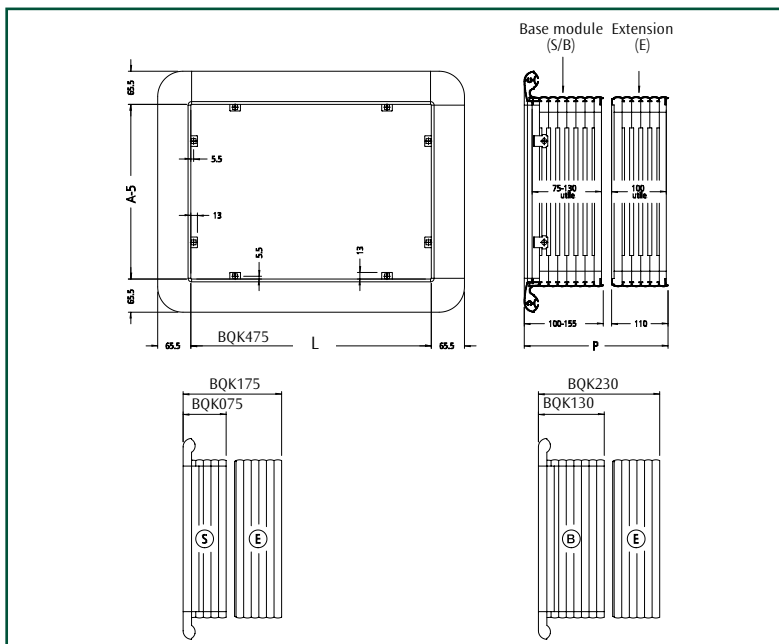
## DEPTH

The enclosure depth must be selected from the base modules with two different depths, as follows:

- small module (S) with useful internal depth of 75 mm
- big module (B) with useful internal depth of 130 mm.

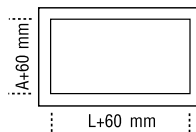
The base modules can be expanded with extensions (E) with useful internal depth of 100 mm.

**Note:** to be ordered separately the joining profile to the operator panel enclosure BQPU-001 and the rubber sleeve BQM-001 for cable passage (as an alternative to BQPU-001, order the 90-degree connection bracket BQKU-003, see page 275).

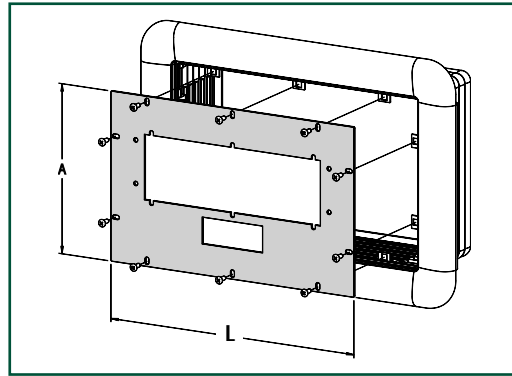


## SELECTION PROCEDURE

		W+60 mm	H+60 mm
S	B Q K 0 7 5		
B	B Q K 1 3 0		
S + E	B Q K 1 7 5		
B + E	B Q K 2 3 0		



- All dimensions are given in mm
- Complete the configuration with BQBP rear panel, BQWA-003 hinges and BQFR front panel if necessary (see page 270)



**Note:** if required, specify the size of the holes to be drilled in the panel.

**Note:** fixing kit BQFK-001 for the front panel assembly to be ordered separately.

### FRONT PANEL BQFR-001

#### CHARACTERISTICS

Panel manufactured from 3.0 mm thick sheet aluminium, it can be screwed from outside through special holes.

#### PAINT FINISH

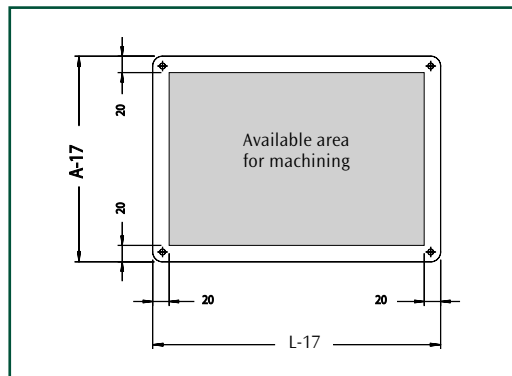
Thermosetting epoxy polyester powder for aluminium coating (RAL 9006 silver).

#### SUPPLY

Panel complete with mounting accessories.

#### SELECTION

According to customer specifications, with dimensions given in millimeters, ETA manufactures the drilled front panel and the corresponding operator panel enclosure BQC.



**Note:** if a hinged panel is required, specify this option in the order and order the BQWA-003 hinges separately (see page 275).

**Note:** for the desk configuration with direct fixing, order the rear panel BQBP-002.

### REAR PANEL BQBP-001 / BQBP-002

#### CHARACTERISTICS

Panel manufactured from 3.0 mm thick sheet aluminium, it can be screwed from outside through special holes.

#### PAINT FINISH

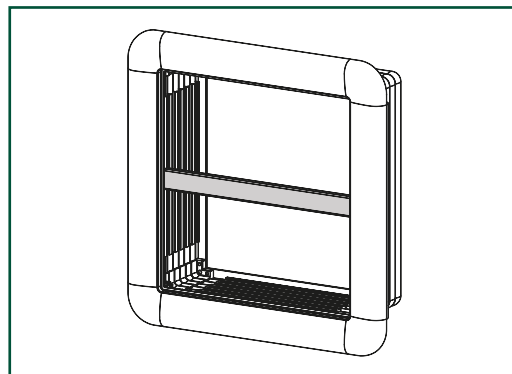
Thermosetting epoxy polyester powder for aluminium coating (RAL 9006 silver).

#### SUPPLY

Single panel complete with mounting accessories.

#### SELECTION

According to customer specifications, with dimensions given in millimeters, ETA manufactures the rear panel.



### SEPARATION PROFILE BQPR-001

It allows to divide the operator panel enclosure into two areas and it can be installed vertically and horizontally.

#### CHARACTERISTICS

Manufactured from 1.5 mm thick sheet steel.

#### PAINT FINISH

Thermosetting epoxy polyester powder for aluminium coating (RAL 9006 silver).

#### SUPPLY

Single piece complete with mounting accessories.

#### SELECTION

The separation profile dimensions match the BQFR front panel dimensions.



## SUSPENSION ARM SYSTEM

### FEATURES

Bioniq light is the pendant system for control interfaces with a sober and essential design: a flexible system with a high quality/price ratio and fully modular on the three dimensional axes.

- The BQLC operator panel enclosure and the BQLK keyboard enclosure are customizable in width, height and depth, on the base of the man-machine interface that have to be inserted.

- The BQPA pendant arm system can be composed on the base of the type of application (it can be fixed on the roof, on the wall or on pedestal).
- Wide range of accessories.

Suspension  
arm system



## CHARACTERISTICS

Structure manufactured from anodized aluminium from extruded profiles, joined by means of die-cast and painted angular pieces.

## PROTECTION RATING

NEMA 1 in compliance with UL508A; UL5 0.

## SELECTION

To select the light operator panel enclosure BQLC, indicate the generic family code, classified according to depth as in the table hereunder, and simply indicate the width and height dimensions. When ordering, also specify if the suspension arm shall be fixed to the roof (T) or bottom (B) of the enclosure or if it is a desk version (P).

## WIDTH AND HEIGHT

Thanks to a high degree of customization, you can choose the width (L) and the height (A) of the operator panel on the base of the equipment that have to be inserted.

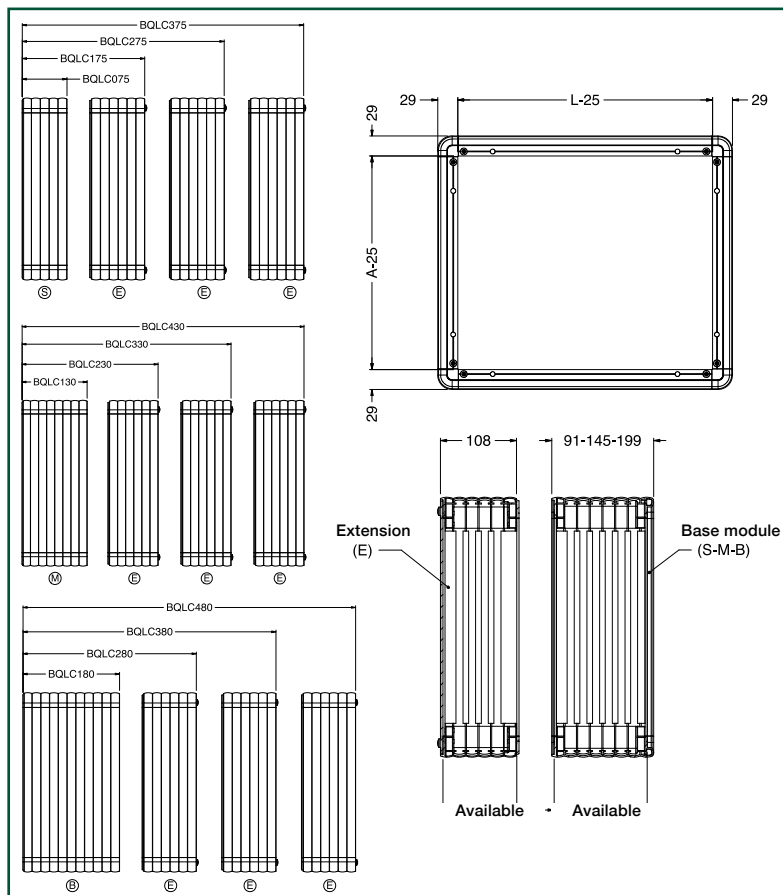
## DEPTH

The enclosure depth must be selected among modules with three different depths:

- small module (S) with useful internal depth of 75 mm
- medium module (M) with useful internal depth of 130 mm
- big module (B) with useful internal depth of 180 mm.

The base modules can be expanded with extensions (E) with useful internal depth of 100 mm.

**Note:** BQLH handles to be ordered separately (see page 274).



## SELECTION PROCEDURE

		W+60 mm	H+60 mm	T/B/P
S	B Q L C 0 7 5			
M	B Q L C 1 3 0			
B	B Q L C 1 8 0			
S + E	B Q L C 1 7 5			
M + E	B Q L C 2 3 0			
B + E	B Q L C 2 8 0			
S + 2E	B Q L C 2 7 5			
M + 2E	B Q L C 3 3 0			
B + 2E	B Q L C 3 8 0			
S + 3E	B Q L C 3 7 5			
M + 3E	B Q L C 4 3 0			
B + 3E	B Q L C 4 8 0			

T = fixing of BQPA pendant arm system on BQLC enclosure roof

B = fixing of BQPA pendant arm system on BQLC enclosure bottom

P = fixing of BQLC enclosure on the desk

- All dimensions are given in mm
- For dimensions above 999 mm, please contact the ETA sales office
- Complete the configuration with BQLBP rear panel, and if needed with BQWA-003 hinges and BQFR front panel if the unit is not fixed directly to the enclosure
- The minimum depth of the BQLC operator panel enclosure shall be 130 mm (if a pendant arm system is used)



### CHARACTERISTICS

Structure manufactured from anodized aluminium from extruded profiles, joined by means of die-cast and painted angular pieces.

### PROTECTION RATING

NEMA 1 in compliance with UL508A; UL50.

### SELECTION

To select the keyboard housing BQLK, indicate the generic family code, classified according to depth as in the table hereunder, and simply indicate the width and height dimensions.

### WIDTH AND HEIGHT

Thanks to a high degree of customization, you can chose the width (L) and the height (A) of the operator panel on the base of the equipment that have to be inserted.

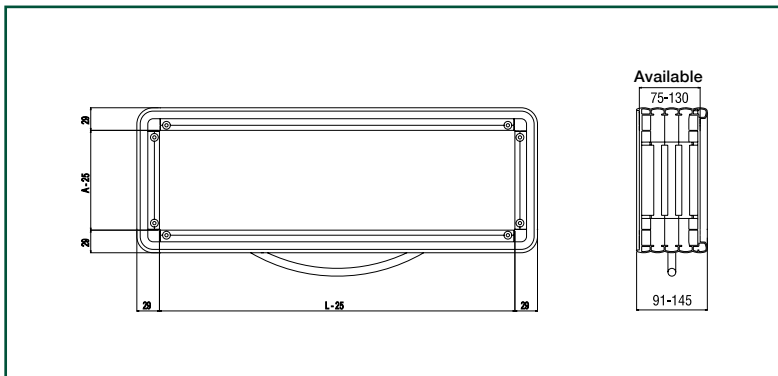
### DEPTH

The enclosure depth must be selected among modules with two different depths:

- small module (S) with useful internal depth of 75 mm
- medium module (M) with useful internal depth of 130 mm.

In this case, the extension modules cannot be used.

**Note:** to be ordered separately the joining profile, the operator panel enclosure BQLKU-001, the rubber sleeve BQLM-001 for cable passage and the handles BQLH, see page 274. As an alternative to BQLKU-001, order the 90-degree connection bracket BQLKU-004, see page 275.



### SELECTION PROCEDURE

	W+60 mm	H+60 mm
B Q L K 0 7 5		
B Q L K 1 3 0		

- All dimensions are given in mm
- For dimensions above 999 mm, please contact the ETA sales office
- Complete the configuration with BQLBP rear panel, and if needed with BQ-WA-003 hinges and BQFR front panel if the unit is not fixed directly to the enclosure

## FRONT PANEL BQLFR-001

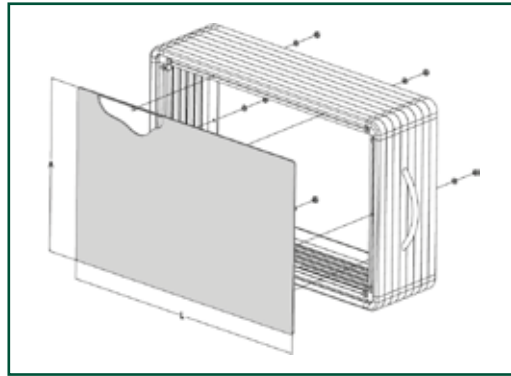
### CHARACTERISTICS

Panel manufactured from 3.0 mm thick aluminium sheet, it can be screwed from inside through the studs welded on the panel.

### SUPPLY

Includes 1 panel complete with mounting accessories.

**Note:** fixing kit BQLFK-001 for the front panel assembly to be ordered separately.



### SELECTION

According to customer specifications, with dimensions given in millimeters, ETA manufactures the drilled front panel and the corresponding operator panel housing BQLC.

**Note:** if required, specify the size of the holes to be drilled in the panel.

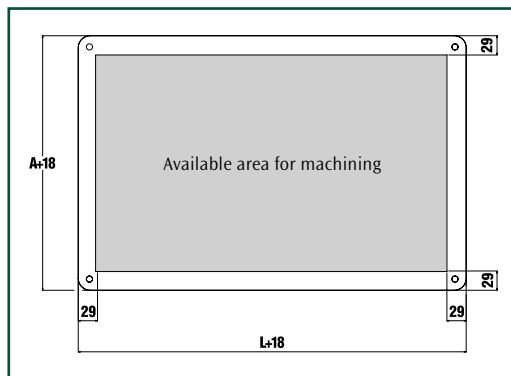
## REAR PANEL BQLBP-001/BQLBP-002

### CHARACTERISTICS

Panel manufactured from 3.0 mm thick aluminium sheet, it can be screwed from inside through the studs welded on the panel.

### SUPPLY

Includes 1 panel complete with mounting accessories.



### SELECTION

According to customer specifications, with dimensions given in millimeters, ETA manufactures the rear panel.

**Note:** if a hinged panel is required, specify this option in the order and order the BQWA-003 hinges separately.

**Note:** for the desk configuration with direct fixing, order the rear panel BQLBP-002.

## SEPARATION PROFILE BQLPR-001

It allows to divide the operator panel enclosure into two areas; it can be installed vertically and horizontally.

### CHARACTERISTICS

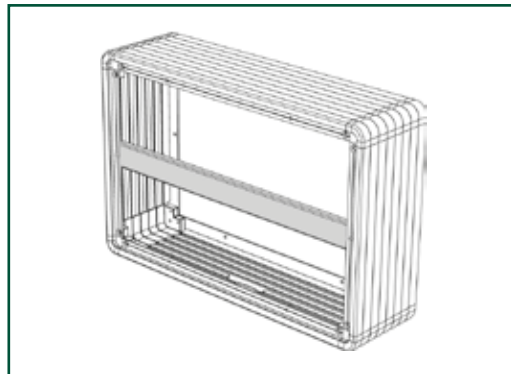
Manufactured from 1.5 mm thick sheet steel.

### PAINT FINISH

Epoxy polyester powder for aluminium coating (RAL 9006 silver).

### SUPPLY

Includes 1 piece complete with mounting accessories.



### SELECTION

The separation profile dimensions match the BQLFR front panel dimensions.

## BQLH HANDLE

### CHARACTERISTICS

Handle made from alloyed steel.

### PAINT FINISH

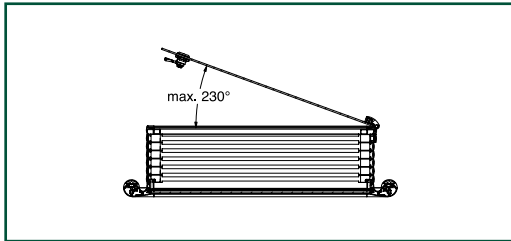
Aluminium (RAL 9006 silver).

### SUPPLY

Includes 1 piece with mounting accessories:

- BQLH-001 handle L=150 mm
- BQLH-002 handle L=225 mm
- BQLH-003 handle L=260 mm.
- BQLH-004 handle L=360 mm.





### HINGE BQWA-003

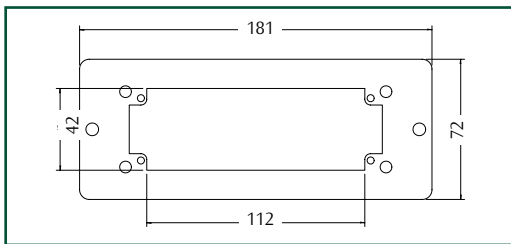
It allows to open the rear panel BQPB and BQLBP.

#### CHARACTERISTICS

Manufactured from alloyed zinc, it opens at 230°.

#### SUPPLY

Includes 1 piece complete with mounting accessories.

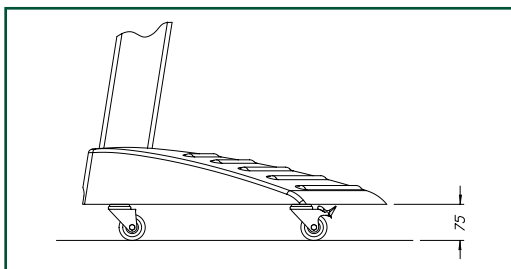


### FLANGE FOR FLOPPY DISK DOOR SIEMENS BQFD-002

Flange manufactured from 3.0 mm thick sheet aluminium to contain the Siemens CNC. It allows to lodge the device on the side of the enclosure.

#### SUPPLY

Includes 1 piece.



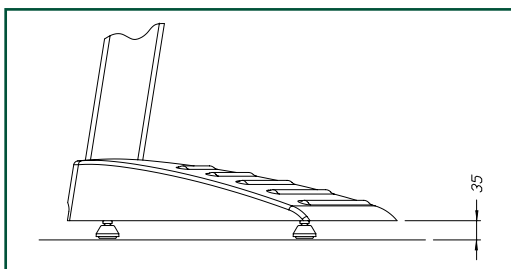
### CASTOR FOR BIONIQ DESK BQRU-001

#### CHARACTERISTICS

Support of pressed sheet metal with chrome-plated zinc details; high-quality polyamide castor.

#### SUPPLY

Includes 1 piece complete with mounting hardware.



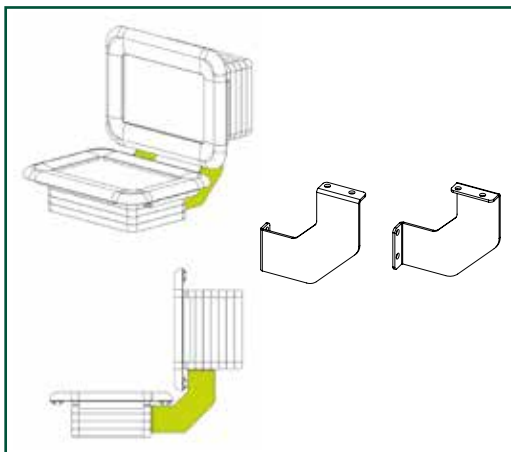
### FOOT FOR BIONIQ DESK BQPL-001

#### CHARACTERISTICS

Swivelling foot consisting of a polyamide base and a galvanized steel support.

#### SUPPLY

Includes 1 piece.



### SQUARE-ANGLE CONNECTION BRACKET FOR BIONIQ BQKU-003 FOR BIONIQ LIGHT BQLKU-004

It allows to fix a keyboard to the operator panel enclosure of the bioniq/bioniq light system at 90°.

#### CHARACTERISTICS

Bracket made from 3.0 mm thick sheet steel.

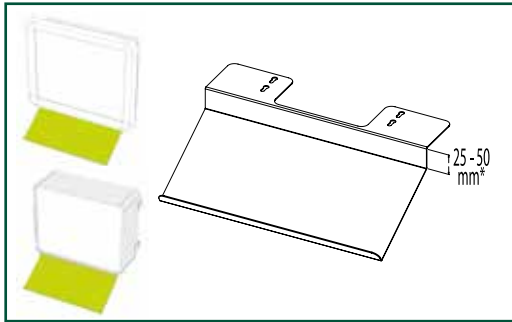
#### PAINT FINISH

Thermosetting epoxy polyester powder for aluminium coating RAL 9006.

#### SUPPLY

Includes 2 pieces complete with mounting hardware.





### KEYBOARD SUPPORT FOR BIONIQ BQSK-001 FOR BIONIQ LIGHT BQLSK-001

It allows to fix a keyboard to the operator panel enclosure of the bioniq/bioniq light system.

#### CHARACTERISTICS

Manufactured from 2.0 mm thick sheet steel.

#### PAINT FINISH

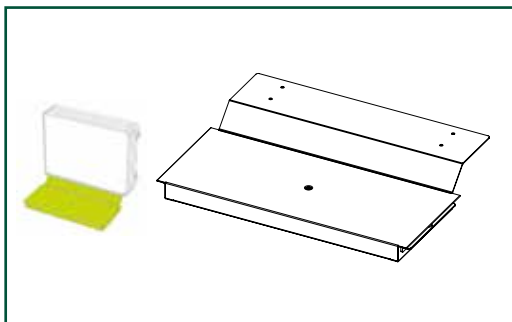
Thermosetting epoxy polyester powder for aluminium coating RAL 9006.

#### SUPPLY

Includes 1 piece complete with screws to fix to the enclosure.

**Note:** when ordering, indicate the keyboard footprint (WxD in mm).

\* Height of profile for bioniq light 25 mm, height of profile for bioniq 50 mm



### KEYBOARD SHELF WITH MOUSE PAD FOR BIONIQ BQRM-001 FOR BIONIQ LIGHT BQLRM-001

#### CHARACTERISTICS

Keyboard shelf with mouse pad manufactured from 1.0 mm thick sheet steel, fixing bracket manufactured from 2.0 mm thick sheet steel.

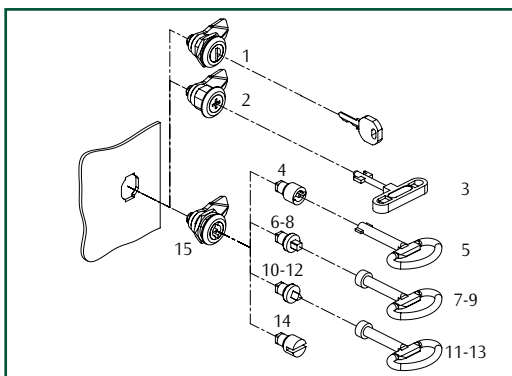
#### PAINT FINISH

Thermosetting epoxy polyester powder for aluminium coating RAL 9006.

#### SUPPLY

Includes 1 piece complete with screws to fix to the enclosure.

**Note:** when ordering, indicate the keyboard footprint (WxD in mm).



### LOCKING SYSTEMS

The locking systems for bioniq and bioniq light are conceived for the secure locking of the rear panel.

#### SUPPLY

Each lock consists of a key, an insert and a block with fixing lever.

LOCKING SYSTEM		
LOCKSET CODE FOR PANEL FIXING BWE	REF.	DESCRIPTION
BWE030	1	LOCK WITH KEY
BWE050	2	FIAT LOCK
BWE210	3	FIAT KEY
BWE010	4	ETA INSERT
BWE096	5	ETA KEY
BWE060	6	INSERT $\nabla$ 6 MM
BWE260	7	KEY $\nabla$ 6 MM
BWE070	8	INSERT $\nabla$ 7 MM
BWE268	9	KEY $\nabla$ 7 MM
BWE080	10	INSERT $\nabla$ 6.5 MM
BWE273	11	KEY $\nabla$ 6.5 MM
BWE090	12	INSERT $\nabla$ 8 MM
BWE278	13	KEY $\nabla$ 8 MM
BWE100	14	SCREW DRIVER INSERT
BWE140	15	LOCK WITHOUT INSERT



The bioniq/bioniq light pendant arm system must be made up according to the type of arm to be assembled, as projection from above or from a wall require a different combination of elements.

## CHARACTERISTICS

Tubular structure manufactured from extruded aluminium; other elements made from die-cast pieces.

## PAINT FINISH

Section and connection tube painted with thermosetting epoxy polyester powder for aluminium coating (RAL 9006 silver). Rotary turret, enclosure coupling, flanges and angular piece, medium grey painting.

## SELECTION

The suspension system is composed of elements (wall flange, turning turret, angular pieces, joints) and customizable modular segments (segment A and final tube T), whose codes are given in the table.

The arm must then be assembled with the operator panel enclosure, and with the keyboard enclosure if available.

## LENGTH

The modular sections of the arm (BQAA segment or BQEC tube) are available in fixed lengths (see the table) or can be customized.

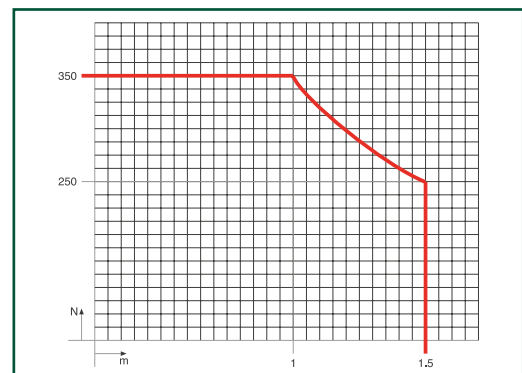
**Note:** the suspension system must be fixed to the base.

## SELECTION PROCEDURE

DESCRIPTION	CODE
ROTARY TURRET "11"	B   Q   R   0   1   1
WALL FLANGE "10"	B   Q   F   0   1   0
WALL COUPLING "15"	B   Q   R   0   1   5
ANGULAR PIECE "30"	B   Q   E   0   3   0
ANGULAR PIECE "35"	B   Q   E   0   3   5
ENCLOSURE COUPLING BQC AND BQLC "40"	B   Q   J   0   4   0
COUPLING FOR SIMPLE ENCLOSURE BST/BSTF "50"	B   Q   J   0   5   0
SECTION "A" L=500 MM	B   Q   A   A   0   5   0   0
SECTION "A" L=750 MM	B   Q   A   A   0   7   5   0
SECTION "A" L=1000 MM	B   Q   A   A   1   0   0   0
SECTION "A" L=1500 MM	B   Q   A   A   1   5   0   0
SECTION "A" L=	B   Q   A   A
<b>Note:</b> max length for section "A"=1500 mm.	
TUBE "T" L=250 MM	B   Q   E   C   0   2   5   0
TUBE "T" L=500 MM	B   Q   E   C   0   5   0   0
TUBE "T" L=750 MM	B   Q   E   C   0   7   5   0
TUBE "T" L=1000 MM	B   Q   E   C   1   0   0   0
TUBE "T" L=	B   Q   E   C

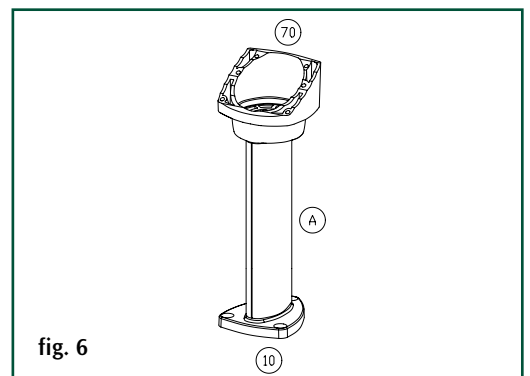
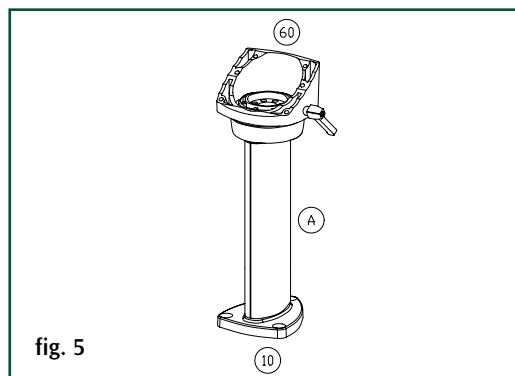
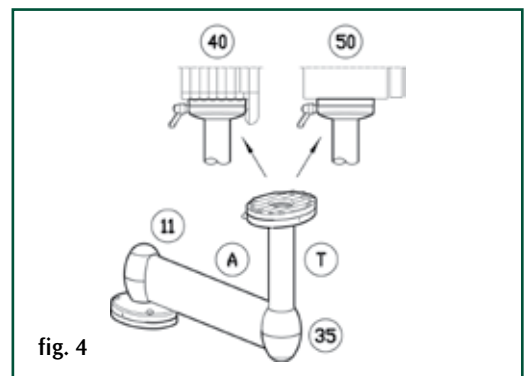
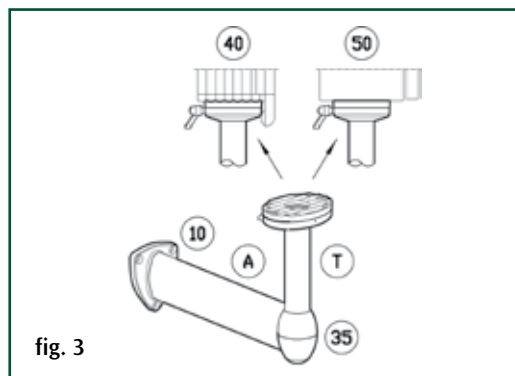
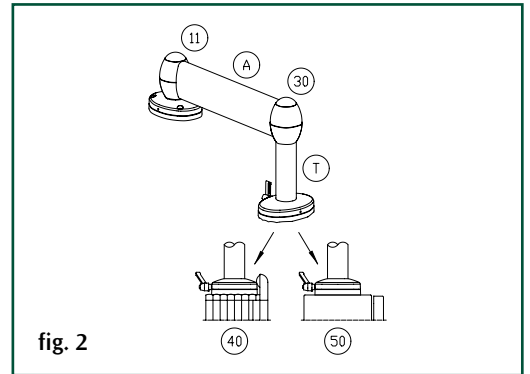
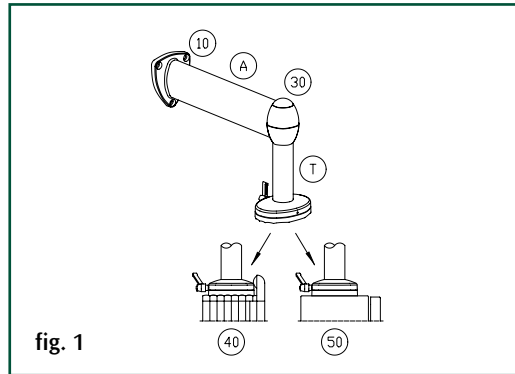
## LOAD DIAGRAM

The basic parameter for the selection of the pendant arm system is the mechanical load it must bear in different situations, which depends on the weight of enclosures and the protruding arm length. The following diagram provides a correct identification of the mechanical load capacity of the pendant arm system, based on its size and the weight of all enclosure and arm components.



Suspension arm system

## FIXING SOLUTIONS FOR THE PENDANT ARM SYSTEM



## ELEMENTS AND SEGMENTS

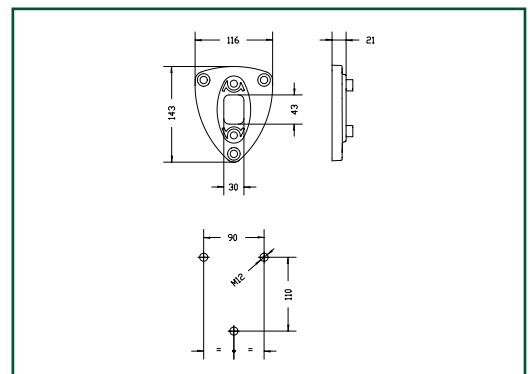


### WALL MOUNT FLANGE "10" BQF010

Weight: kg. 0.251.

#### SUPPLY

Includes 1 piece with mounting and fixing accessories.



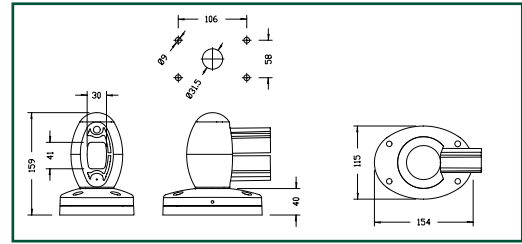


### TOP MOUNTED SWIVEL "11" BQR011

Weight: kg. 1.780.  
Rotation 300°.

#### SUPPLY

Includes 1 piece with mounting accessories.

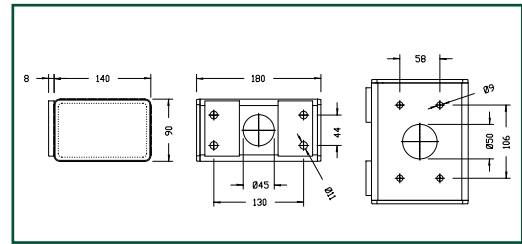


### WALL COUPLING "15" BQR015

Weight: kg. 4.850.

#### SUPPLY

Includes 1 piece with mounting accessories.



### INTERMEDIATE ELBOW "30" BQE030

Weight: kg. 0.630.

#### SUPPLY

Includes 1 piece with mounting accessories.

Note: To be used with "T" tube mounted towards the bottom

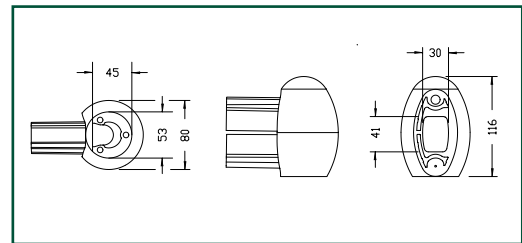
### INTERMEDIATE ELBOW "35" BQE035

Weight: kg. 0.630.

#### SUPPLY

Includes 1 piece with mounting accessories.

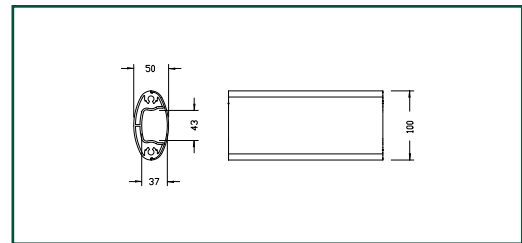
Note: To be used with "T" tube mounted towards the top



### HORIZONTAL ARM "A" BQAA

#### SUPPLY

Includes 1 piece complete with cover to fix the arm to the top mounted swivel BQR011 and to the intermediate elbow BQE030/BQE035.



#### HORIZONTAL ARM "A"

BQAA CODE	LENGTH MM	WEIGHT KG
BQAA0500	500	1.789
BQAA0750	750	2.684
BQAA1000	1000	3.578
BQAA1500	1500	5.367



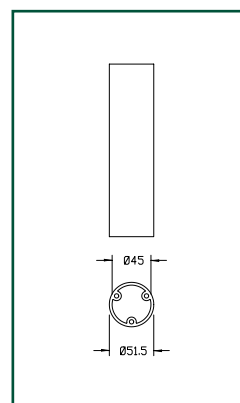
### VERTICAL TUBE "T" BQEC

#### SUPPLY

Includes 1 piece with mounting accessories.

#### VERTICAL TUBE "T"

BQEC CODE	LENGTH MM	WEIGHT KG
BQEC0250	250	0.441
BQEC0500	500	0.883
BQEC0750	750	1.324
BQEC1000	1000	1.765



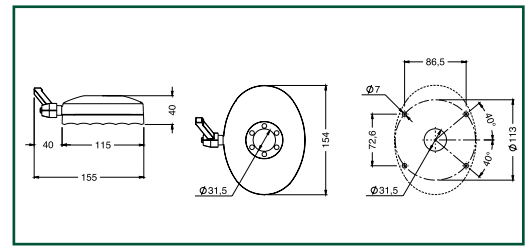


**ENCLOSURE COUPLING FOR BQC "40"  
BQJ040**

Weight: kg. 0.930.  
Rotation 300°.

**SUPPLY**

Includes 1 piece with mounting accessories.

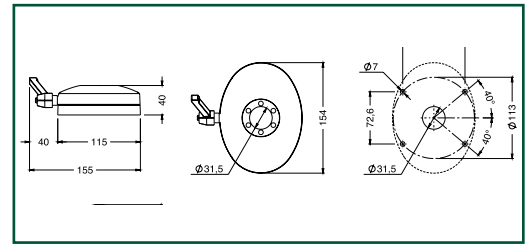


**ENCLOSURE COUPLING FOR BST "50"  
BQJ050**

Weight: kg. 0.930.  
Rotation 300°.

**SUPPLY**

Includes 1 piece with mounting accessories.

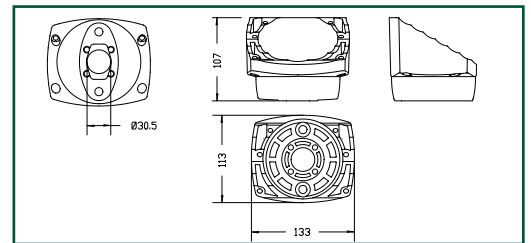


**FIXED FLANGE FOR ENCLOSURE SUPPORT  
BQFC001**

Weight: kg. 1.066.

**SUPPLY**

Includes 1 piece with mounting accessories.

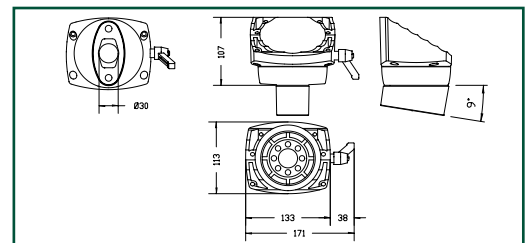


**ROTATING FLANGE FOR ENCLOSURE  
SUPPORT BQFC002**

Weight: kg. 1.228.  
Rotation 300°.

**SUPPLY**

Includes 1 piece with mounting accessories.



**ADJUSTABLE COUPLING BQGR-001**

It allows to orientate the operator panel enclosure optimally.

**CHARACTERISTICS**

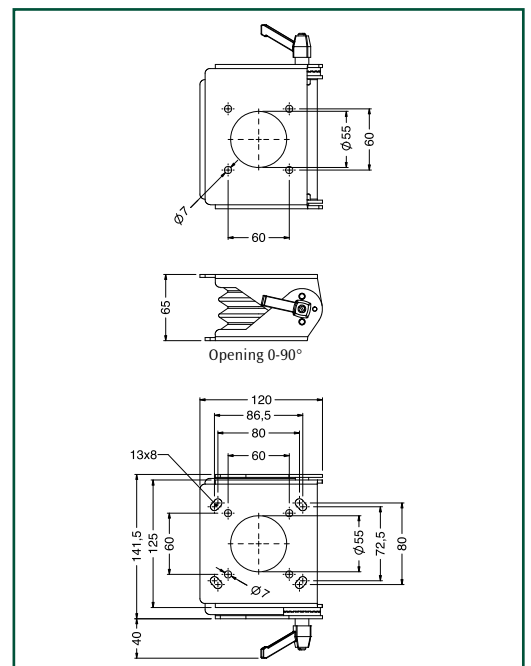
Coupling made from 3.0 mm thick sheet steel with adjustment rings. Neoprene bellows with PVC flanges and locking lever.

**PAINT FINISH**

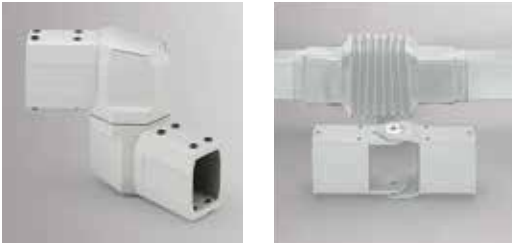
Colour: medium grey.

**SUPPLY**

Includes 1 piece complete with mounting hardware.



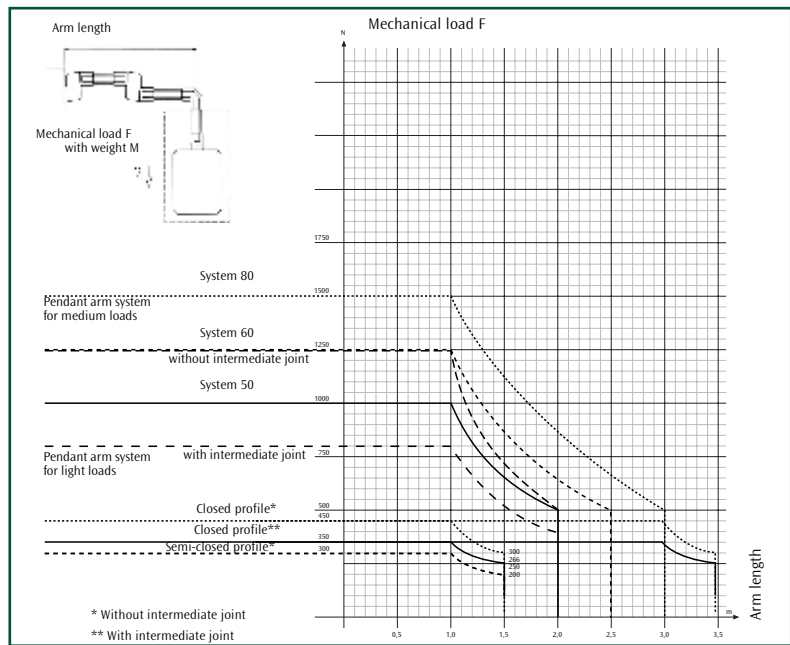
# PENDANT ARM SYSTEM FOR MEDIUM LOADS



In addition to the suspension system BQPA, ETA is able to provide adequate systems to a large variety of loading needs and cable passing: from the system for medium loads (closed profiles 45/60, 50, 60, 80) to the suspension system B70/90 characterized by an ergonomic design and the ability to obtain various combinations.

## LOAD DIAGRAM

The load diagram indicates the maximum load allowed for each size of the pendant arm system. The system dimensions also allow the application of an addition 75 kg load for 5 seconds without any plastic deformation.



## SYSTEM 45/60

CLOSED PROFILE SYSTEM 45/60	
BP45 CODE	DESCRIPTION
BP456025	CLOSED PROFILE 45 x 60 x 250
BP456050	CLOSED PROFILE 45 x 60 x 500
BP456075	CLOSED PROFILE 45 x 60 x 750
BP4560100	CLOSED PROFILE 45 x 60 x 1000
BP4560125	CLOSED PROFILE 45 x 60 x 1250
BP4560150	CLOSED PROFILE 45 x 60 x 1500
BP4560200	CLOSED PROFILE 45 x 60 x 2000

SYSTEM COMPONENTS 45/60	
B45 CODE	DESCRIPTION
B45001	FLANGE COUPLING
B45002	TILTED FLANGE COUPLING
B45003	ANGULAR FLANGE COUPLING
B45004	ANGULAR TILTED FLANGE COUPLING
B45005	BASE COUPLING
B45006	TILTED BASE COUPLING
B45007	TILTED SWIVELING COUPLING
B45008	ANGULAR TILTED SWIVELING COUPLING
B45009	ANGULAR PIECE
B45010	STRENGTHENED ANGULAR PIECE
B45011	QUICK-MOUNT COUPLING
B45012	INTERMEDIATE COUPLING
B45013	ROTARY TURRET
B45014	WALL COUPLING FOR HORIZONTAL ENCLOSURE
B45015	WALL COUPLING FOR VERTICAL ENCLOSURE
B45016	ROTARY BASE
B45017	SUPPORTING BASE/WALL FLANGE
B45018	BASE FOR MOVABLE POLE

Suspension arm system

## SYSTEM 50

Available on request.

SYSTEM 50 PROFILES	
BP50 CODE	DESCRIPTION
BP505025	PROFILE L=250 MM
BP505050	PROFILE L=500 MM
BP505075	PROFILE L=750 MM
BP5050100	PROFILE L=1000 MM
BP5050125	PROFILE L=1250 MM
BP5050150	PROFILE L=1500 MM
BP5050200	PROFILE L=2000 MM
BP5050300	PROFILE L=3000 MM

## ADDITIONAL SYSTEM 50 COMPONENTS

B50 CODE	DESCRIPTION
B50001	ANGULAR PIECE
B50002	STRENGTHENED ANGULAR PIECE
B50003	WALL FLANGE
B50004	WALL COUPLING
B50005	WALL COUPLING
B50006	ANGULAR COUPLING
B50007	TILTED SWIVELING COUPLING
B50008	STANDARD COUPLING, FLANGE
B50009	INTERMEDIATE COUPLING
B50010	ROTARY TURRET
B50608001	15° TILTING ADAPTER
B50608002	30° TILTING ADAPTER
B50608003	60° TILTING ADAPTER

## SYSTEM 60

Available on request.

SYSTEM 60 PROFILES	
BP60 CODE	DESCRIPTION
BP606025	PROFILE L=250 MM
BP606050	PROFILE L=500 MM
BP606075	PROFILE L=750 MM
BP6060100	PROFILE L=1000 MM
BP6060125	PROFILE L=1250 MM
BP6060150	PROFILE L=1500 MM
BP6060200	PROFILE L=2000 MM
BP6060300	PROFILE L=3000 MM

## ADDITIONAL SYSTEM 60 COMPONENTS

B60 CODE	DESCRIPTION
B60001	ANGULAR PIECE
B60002	STRENGTHENED ADAPTER
B60003	BASE FOR MOVABLE POLE
B60004	WALL FLANGE
B60005	WALL COUPLING
B60006	WALL COUPLING
B60007	ANGULAR COUPLING, FLANGE
B60008	TILTED SWIVELING COUPLING
B60009	STANDARD COUPLING, FLANGE
B60010	INTERMEDIATE COUPLING
B60011	ROTARY TURRET
B50608001	15° TILTING ADAPTER
B50608002	30° TILTING ADAPTER
B50608003	60° TILTING ADAPTER

## SYSTEM 80

Available on request.

SYSTEM 80 PROFILES	
BP80 CODE	DESCRIPTION
BP808025	PROFILE L=250 MM
BP808050	PROFILE L=500 MM
BP808075	PROFILE L=750 MM
BP8080100	PROFILE L=1000 MM
BP8080125	PROFILE L=1250 MM
BP8080150	PROFILE L=1500 MM
BP8080200	PROFILE L=2000 MM
BP8080300	PROFILE L=3000 MM

## ADDITIONAL SYSTEM 80 COMPONENTS

B80 CODE	DESCRIPTION
B80001	ANGULAR PIECE
B80002	STRENGTHENED ANGULAR PIECE
B80003	BASE FOR MOVABLE POLE
B80004	WALL FLANGE
B80005	WALL COUPLING FOR CABLE ENTRY
B80006	WALL COUPLING FOR CABLE ENTRY
B80007	ANGULAR COUPLING
B80008	TILTED SWIVELING COUPLING
B80009	STANDARD COUPLING, FLANGE
B80010	INTERMEDIATE COUPLING
B80011	ROTARY TURRET
B50608001	15° TILTING ADAPTER
B50608002	30° TILTING ADAPTER
B50608003	60° TILTING ADAPTER

## ADDITIONAL ACCESSORIES

B98 CODE	DESCRIPTION
B9805129	ROTATION ANGLE LIMITER FOR COUPLINGS SIZE 45/60
B9805176	ROTATION ANGLE LIMITER FOR COUPLINGS 50, 60, 80
B9805063	ROTATION ANGLE LIMITER FOR SYSTEMS 50 AND 60
B9805062	ROTATION ANGLE LIMITER FOR SYSTEMS 80
B9805130	ROTATION ANGLE LIMITER FOR TILTED SWIVELING COUPLINGS SIZE 45/60, 50, 60, 80
B9805132	ROTATION ANGLE LIMITER FOR ARTICULATED COMPONENTS SIZE 45/60
B9805177	ROTATION ANGLE LIMITER FOR ARTICULATED COMPONENTS 50, 60, 80

# PENDANT ARM SYSTEM B 70/90



The modular system B 70/90, characterized by an advanced design and an incredibly easiness of assembling and cable passing, allows the creation of numerous combinations and the obtaining of multiple system solutions and variations.

The pipes in anodized aluminium, the absence of corners and the junction linearity ensure the system resistance over time, while the modular prosecution of the various coupling with the adapter joints ensure its flexibility.

## CHARACTERISTICS

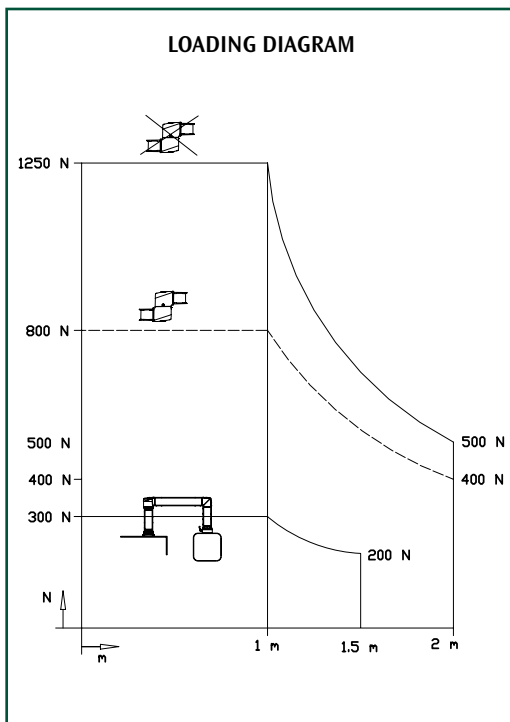
- anodized aluminium pipes
- die-cast aluminium components
- POM bearings
- neoprene seals.

## PAINT FINISH

- couplings, supports anthracite gray RAL 7016
- connection pipes: anodized aluminium.

## PROTECTION RATING

IP65.



## SYSTEM COMPONENTS B 70/90

B CODE	DESCRIPTION
B70001*	FLANGE
B70002*	FLANGE WITH ANGULAR PIECE
B70003*	15° TILTED FLANGE (REAR TILTING)
B70004*	15° TILTED FLANGE (FRONT TILTING)
B70005*	TILTED FLANGE WITH ANGLE (REAR TILTING)
B70006*	TILTED FLANGE WITH ANGLE (FRONT TILTING)
B70007*	BASE COUPLING
B70008*	15° TILTED BASE COUPLING (REAR TILTING)
B70009*	15° TILTED BASE COUPLING (FRONT TILTING)
B70010**	FLANGE 48
B70011	ANGULAR REDUCER RD48
B70012	ANGULAR PIECE
B70013	ROTARY ANGULAR PIECE
B70014	MAX. 30° TILTING ADAPTER
B70015	ADAPTER (NARROW PROFILES)
B70016	ROTARY TURRET
B70017	S WALL COUPLING
B70018	W WALL COUPLING
B70019	W INTERMEDIATE COUPLING
870020	WALL FLANGE FOR POLE BASE
B70021	ROTARY BASE
B70022	BASE FOR MOVABLE POLE

\* BQB002 for BST.

\*\* Not compatible with BST standard punching.



## RECTANGULAR PIPES

BP CODE	DESCRIPTION
BP709025	RECTANGULAR PIPES OF ANODIZED ALUMINUM, LENGTH 70 x 90 x 250 MM
BP709050	RECTANGULAR PIPES OF ANODIZED ALUMINUM, LENGTH 70 x 90 x 500 MM
BP709075	RECTANGULAR PIPES OF ANODIZED ALUMINUM, LENGTH 70 x 90 x 750 MM
BP7090100	RECTANGULAR PIPES OF ANODIZED ALUMINUM, LENGTH 70 x 90 x 1000 MM
BP7090125	RECTANGULAR PIPES OF ANODIZED ALUMINUM, LENGTH 70 x 90 x 1250 MM
BP7090150	RECTANGULAR PIPES OF ANODIZED ALUMINUM, LENGTH 70 x 90 x 1500 MM
BP7090175	RECTANGULAR PIPES OF ANODIZED ALUMINUM, LENGTH 70 x 90 x 1750 MM
BP7090200	RECTANGULAR PIPES OF ANODIZED ALUMINUM, LENGTH 70 x 90 x 2000 MM
BP709038	RECTANGULAR PIPES OF ALUMINUM, LENGTH 70 x 90 x 380 MM
BP709063	RECTANGULAR PIPES OF ALUMINUM, LENGTH 70 x 90 x 630 MM
BP709088	RECTANGULAR PIPES OF ALUMINUM, LENGTH 70 x 90 x 880 MM
BP7090113	RECTANGULAR PIPES OF ALUMINUM, LENGTH 70 x 90 x 1130 MM
BP7090138	RECTANGULAR PIPES OF ALUMINUM, LENGTH 70 x 90 x 1380 MM
BP7090100B	OPEN PROFILE 70 x 90 x 1000 MM FI x ED ON THE SIDE
BP7090200B	OPEN PROFILE 70 x 90 x 2000 MM FI x ED ON THE SIDE

## CYLINDRICAL PIPES

BP CODE	DESCRIPTION
BP4825	CYLINDRICAL PIPES LENGTH 48 x 4 x 250 MM
BP4875	CYLINDRICAL PIPES LENGTH 48 x 4 x 500 MM
BP4850	CYLINDRICAL PIPES LENGTH 48 x 4 x 750 MM
BP48100	CYLINDRICAL PIPES LENGTH 48 x 4 x 1000 MM

## ADDITIONAL ACCESSORIES

B CODE	DESCRIPTION
B9806590000	PLUG SET
B9805296000	ROTATION ANGLE LIMITER
B9808012800	INDUSTRIAL WHEELS
B9808015300	WHEELS FOR ELECTRICAL EQUIPMENT
B9808012900	ADJUSTABLE FEET
B9808014100	FLOOR BRACKETS



The elegant, innovative and functional design concepts of bioniq are available also in the pedestal system, a solution that allows to fix the operator panel and keyboard enclosure to the pedestal for both standard and light options.

The fixing can be:

- direct (fig. B for the standard option and D for the light option)
- on the profile through a flange (fig. A for the standard option and C for the light option).

#### CHARACTERISTICS

The pedestal is manufactured from the following materials:

- base of sheet steel
- base cover of thermoformed material colour Pantone 2717U
- pedestal section of extruded aluminium.

#### SUPPLY

For the composition of the pedestal system, see selection method for:

- operator panel enclosure (BQC or BQLC)
- optional keyboard enclosure (BQK or BQLK)
- pedestal base BQBA-001 (with feet) or BQBA-002 (with wheels) and pedestal section BQSU (see page 286).

**Note:** for applications as the ones showed in pictures A and C, order separately the pedestal flange BQFC-002.

**Note:** for application as the ones showed in pictures B and D, order separately the flange BQF010 and the adapter panel BQBP-002 or BQLBP-002 (see page 286).

### BIONIQ LIGHT PEDESTAL SYSTEM

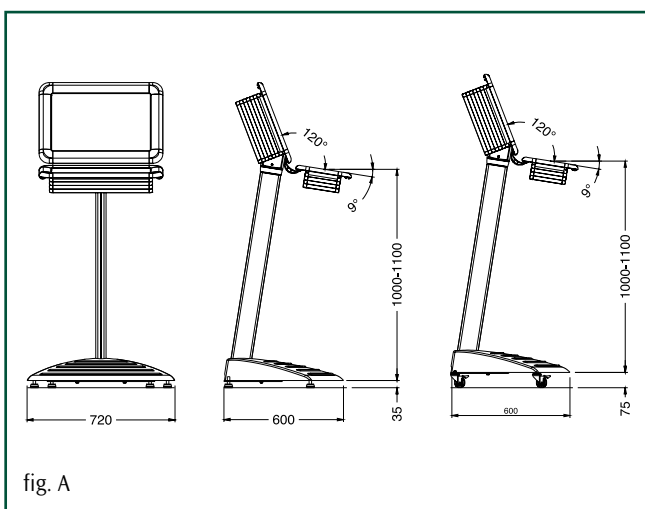


fig. A

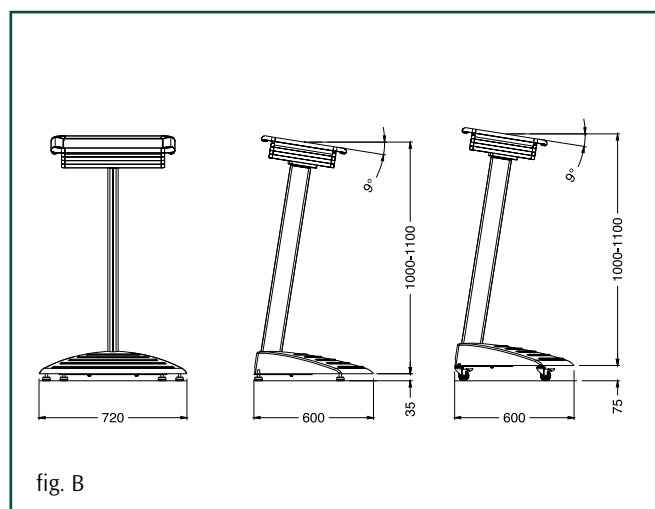


fig. B

**Note:** dimensions of the height do not include castors or feet (for these components see the drawings on page 276).

Suspension arm system

## BIONIQ LIGHT PEDESTAL SYSTEM

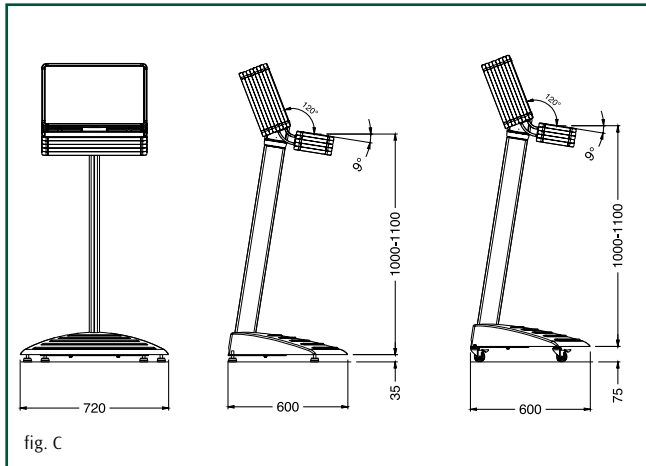


fig. C

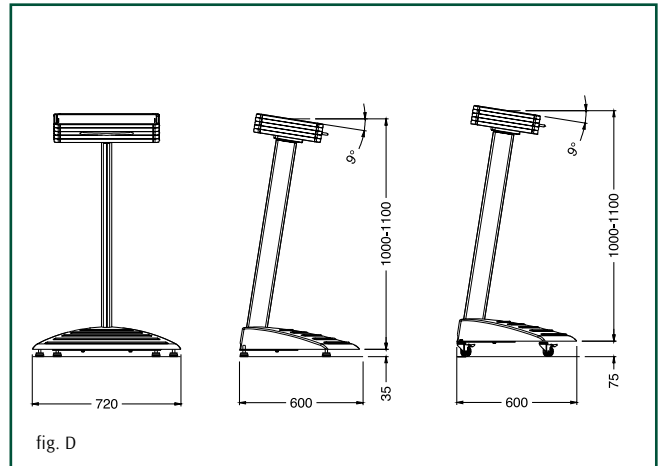
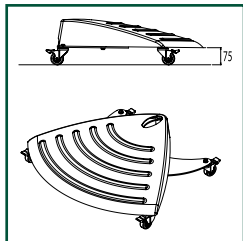
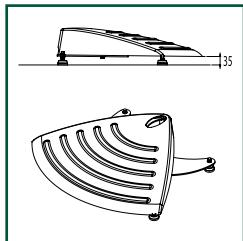


fig. D

**Note:** dimensions of the height do not include castors or feet (for these components see the drawings below).



### PEDESTAL BASE BQBA

The base for bioniq on pedestal is available in two alternative versions:

- desk base complete with 3 levelling feet without front panel.
- desk base complete with 3 castors and front panel.

### DESK BASE BQBA

BQBA CODE	DESCRIPTION
BQBA-001	DESK BASE FOR PEDESTAL WITH FEET
BQBA-002	DESK BASE FOR PEDESTAL WITH CASTORS

**Note:** to replace 1 foot order 1 BQBL-001 (see page 275); to replace 1 wheel without block order 1 BQRU-001 (see page 275); to replace 1 wheel with block order 1 BQRU-002.

### REAR PANEL FOR SECTION FIXING BQBP-002/BQLBP-002

The rear panel, properly drilled, allows to fix the pedestal section directly to the enclosure (as shown in Fig. B/D).

### REAR PANEL BQBP/BQLBP

BQBP/BQLBP CODE	DESCRIPTION
BQBP-002	REAR PANEL FOR DIRECT FIXING ON BIONIQ
BQLBP-002	REAR PANEL FOR DIRECT FIXING ON BIONIQ LIGHT

**Note:** for more information about the panel, please check on page 270 and 274.

**Note:** complete the order with the corresponding flange BQF010 (check on page 278).

### PEDESTAL SECTION BQSU

The bioniq pedestal section is available in two different heights.

### PEDESTAL SECTION BQSU

BQSU CODE	HEIGHT FROM BASE TO KEYBOARD ENCLOSURE
BQSU-001	1000
BQSU-002	1100

**Note:** supports with different heights available upon request. For fixing as shown in Fig. A/C, complete the order with the desk flange BQFC (see page 280). Instead, for direct fixing as shown in Fig. B/D, order the adapter panel BQBP-002 and the corresponding flange BQF010 (see page 278).

### PEDESTAL FLANGE BQFC

Designed to guide cables from the support to the operator panel enclosure BQC, it is made from cast aluminium.



fig. 1



fig. 2

**Note:** for product codes and further technical details, check on page 280.



Sol. 1



Sol. 2



Sol. 3



Sol. 4

The operator interface housing based on ST is designed to meet the requirements of convenience combined with easy use.

Four solutions are available:

- simple enclosure with handles fixed on the door (Sol. 1)
- simple enclosure with handles fixed on the enclosure structure (Sol. 2)
- simple enclosure with optional application of the BQFR front panel on the door (Sol. 3)
- simple enclosure with optional application of the BQFR front panel on the enclosure structure (Sol. 4).

**CHARACTERISTICS**

Enclosure and door manufactured from 1.5 mm thick sheet steel. The upper part of the enclosure is provided with a hole to fix the pendant arm system.

**SUPPLY**

Housing supplied with:

- enclosure and door complete with  $\varnothing$  3 mm double bar locking system
- two handles complete with mounting accessories
- mounting screws.

**PAINT FINISH**

Epoxy polyester powder coating.

Enclosure and door: colour RAL 7035 textured finish.

Handle colour: gun barrel grey.

**PROTECTION RATING**

- IP55 complying with IEC EN62208; EN62262.
- NEMA 1 complying with UL508A; UL50.

**Note:** mounting plate available on request profile BSTPROF200 (supply includes nr. 4 pieces) for BST mounting plate to be ordered separately.

**SOLUTION 1**

BST CODE	DIMENSIONS (W x H x D)		
	B	A	P
BST3-420F	300	400	200
BST4-320F	400	300	200
BST4-420F	400	400	200
BST5-420F	500	400	200
BST5-520F	500	500	200
BST6-620F	600	600	200

**Note:** order the BQPA pendant arm system separately (see page 278). For solution 1, the locking system is fixed on the side wall of the simple enclosure.

**SOLUTION 2**

BST CODE	DIMENSIONS (W x H x D)		
	B	A	P
BST3-420B	300	400	200
BST4-320B	400	300	200
BST4-420B	400	400	200
BST5-420B	500	400	200
BST5-520B	500	500	200
BST6-620B	600	600	200

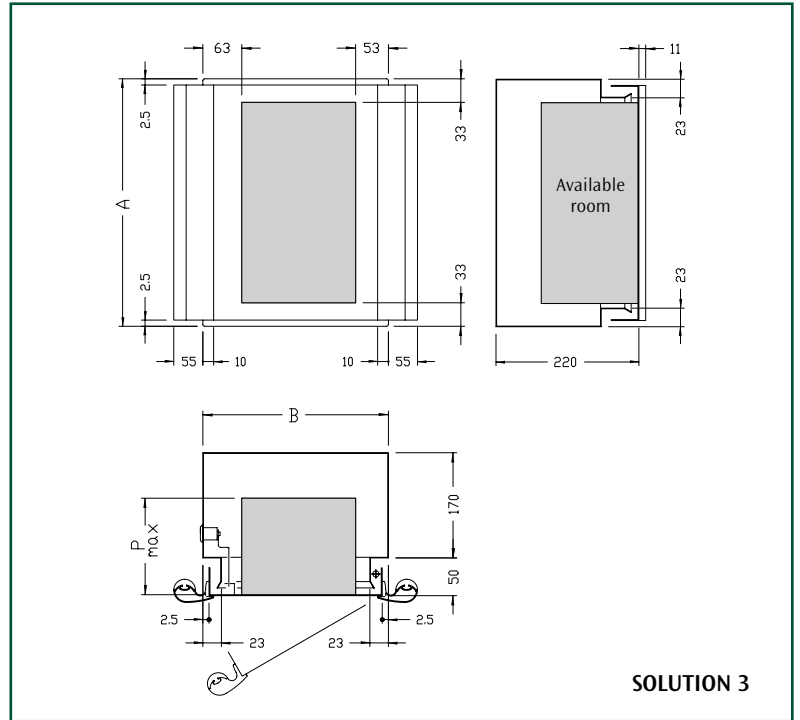
**Note:** order the BQPA pendant arm system separately (see page 278). For solution 2, the locking system is fixed on the door of the simple enclosure.

Suspension arm system

## SOLUTION 3

BSTF CODE	DIMENSIONS (W x H x D)		
	B	A	P
BSTF3-420F	300	400	200
BSTF4-320F	400	300	200
BSTF4-420F	400	400	200
BSTF5-420F	500	400	200
BSTF5-520F	500	500	200
BSTF6-620F	600	600	200

**Note:** the blank locking panel is included; order the BQPA pendant arm system separately (see page 278). For solution 3, the locking system is fixed on the side wall of the simple enclosure.

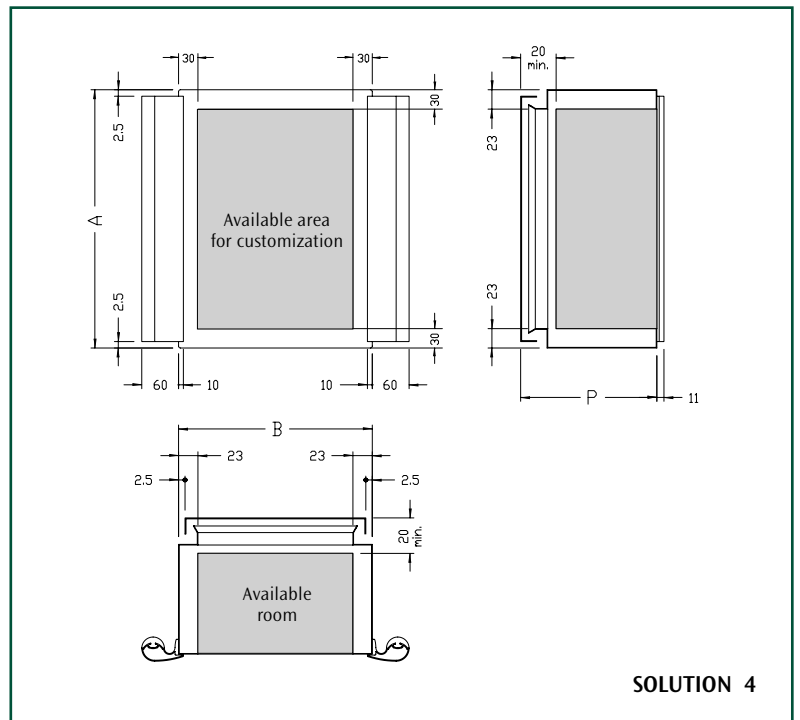


SOLUTION 3

## SOLUTION 4

BSTF CODE	DIMENSIONS (W x H x D)		
	B	A	P
BSTF3-420B	300	400	200
BSTF4-320B	400	300	200
BSTF4-420B	400	400	200
BSTF5-420B	500	400	200
BSTF5-520B	500	500	200
BSTF6-620B	600	600	200

**Note:** the blank locking panel is included; order the BQPA pendant arm system separately (see page 278). For solution 4, the locking system is fixed on the door of the simple enclosure.



SOLUTION 4

## LOCKING SYSTEMS

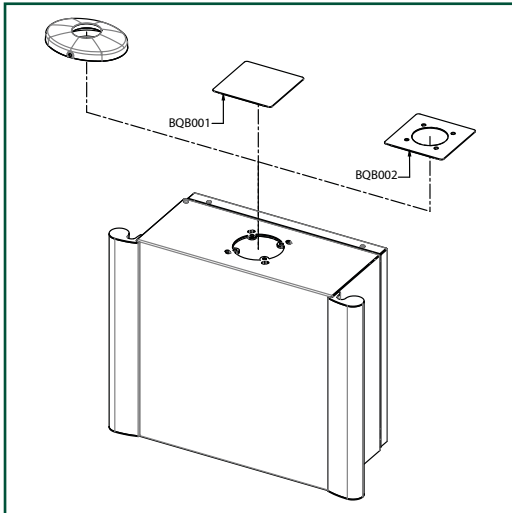
See page 172.



## DOOR STOP WA060

See page 170.





### BLANK PLATE BQB001

#### CHARACTERISTICS

Manufactured from sheet steel. Designed to close the punching dedicated to BQPA pendant arm system on BST housing.

#### PAINT FINISH

ETA standard epoxy polyester powder coating.  
Colour: RAL 7035 textured finish.

#### SUPPLY

Includes nr. 1 piece with mounting accessories

### ADAPTING PLATE BQB002

#### CHARACTERISTICS

Manufactured from sheet steel. Designed to assemble the pendant arm system for medium loads and the pendant arm system B 70/90 to BST housing.

#### PAINT FINISH

ETA standard epoxy polyester powder coating.  
Colour: RAL 7035 textured finish.

#### SUPPLY

Includes nr. 1 piece with mounting accessories

**Note:** please require the punching on the housing.





## THERMAL MANAGEMENT

The electronic components contained in cabinets require adequate measures against dust, pollutants and high temperatures.

Providing an adequate cabinet conditioning or air circulation permit to optimize costs and time, thus granting the optimal functioning of the equipment.

Ethermo is the ETA complete range of items for the thermal management of the cabinets:

- compact and ultra-thin conditioners (for wall applications, roof applications and joined cabinets)
- air conditioners for outdoor applications
- air-to-water and air-to-air heat exchangers
- climate control doors
- fans and filter grids "click and fit"
- ventilation hoods
- anti-condensation heaters, controllers and thermostats.





### AIR CONDITIONERS

- Designed to ensure the best working conditions for electrical and electronic equipment
- Suitable for applications requiring a Temperature set point below ambient Temperature
- Several Mounting configurations for all the applications
- Range from 300 to 10000 W (L35L35)
- Several Power Supply available (see product data sheet)
- High protection degree from cabinet side (IP54)
- Certifications CE (UL on most of rthe models)
- Maintenance Free
- Functioning up to +55°C
- Refrigerant Gas R134a

#### INDOOR

- Wall-mounting (WICD)
- For joined cabinets (WICE)
- Extra-slim (WIDC)
- Roof-mounting (WICT)

#### OUTDOOR

- (WICA)

### HEAT EXCHANGERS

- For proper working favourable conditions are needed (roughly 10°C)
- Range from 16 to 160 W/K air-air; from 870 to 25000 W air/water
- Several Power Supply available
- High Protection degree cabinet side (IP55)
- CE and UL certification
- Wall mounting (internal or external)
- Maintenance free

#### INDOOR

- Air-to-air (WISC)
- Air-to-water (WISW)

### VENTILATION

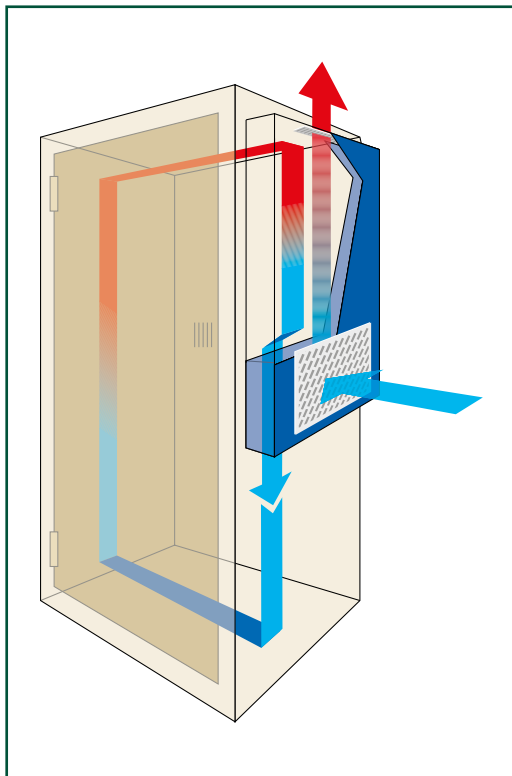
The ventilation systems are an easy and economical solution for the Temperature management of the electronic enclosures. These system are the perfect solution when is possible to use the external air (if not too dirty) for the cooling, the heat load is not too high and the enclosure can work with a  $\Delta T$  of 10-15°C.

- Fans and filters (WT)
- EMC fans and filters (WIEM)
- Roof mounting fans
- Exhaust fan (WT)

<p><b>AIR FILTER</b></p>	
<p><b>BAFFLE</b></p>	
<p><b>SEMI OR TOTALLY RECESSED MOUNTING FRAME</b></p>	
<p><b>IP55 GASKET</b></p>	
<p><b>SPECIAL COLOUR</b></p>	
<p><b>STAINLESS STEEL VERSION IN AISI304 OR AISI316</b></p>	



\* Check the templates for further details

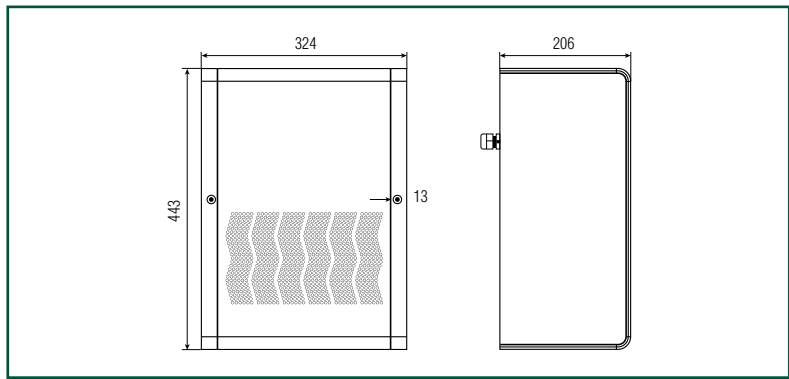
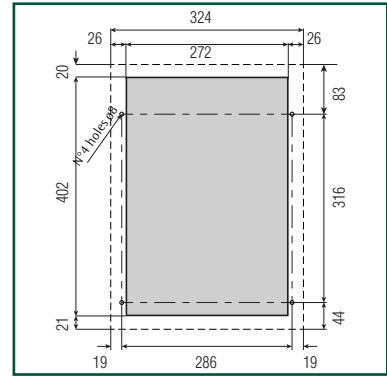
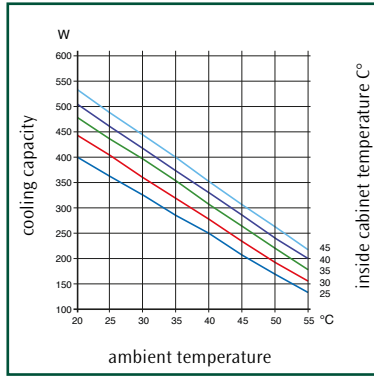


**TECHNICAL FEATURES**

- Air conditioners for wall and door mounting
- Cooling capacity: 360-5600W
- Digital thermostat XCB
- Condensate dissipating device from WICD11...
- µchannel condenser (from WICD11...)
- General Alarm contacts and remote control standard (except WICD38...)

WALL MOUNTED AIR CONDITIONERS						
WICD	COOLING CAPACITY	POWER SUPPLY	EXTERNAL DIMENSIONS			CERTIFICATIONS
CODE	L35L35 DIN3168	V-ph-Hz	WIDTH	HEIGHT	DEPTH	
WICDU3811CW	380W	115-1-60	324	443	206	cULus listed
WICDU5811CW	580W	115-1-60	313	642	223	cULus listed
WICDU5823CW*	580W	230-1-50/60	313	642	223	cULus listed
WICDU9011CW	900W	115-1-60	313	642	223	cULus listed
WICDU9023CW	900W	230-1-50/60	313	642	223	cULus listed
WICDU1611CW	1600W	115-1-60	410	912	248	cULus listed
WICDU1623CW	1600W	230-1-50/60	410	912	248	cULus listed
WICDU2211CW	2200W	115-1-60	409	1005	263	cULus listed
WICDU2223CW	2200W	230-1-50/60	409	1005	263	cULus listed
WICDU3123CW	3150W	230-1-50/60	511	1217	347	cULus listed
WICDU4123CW	4100W	230-1-50/60	511	1217	347	cULus listed
WICD3823CW	360-380W	230-1-50/60	324	443	206	-
WICD5823CW	550-580W	230-1-50/60	313	642	223	-
WICD9023CW*	850-900W	230-1-50/60	313	642	223	-
WICD1123CW*	1100-1150W	230-1-50/60	410	912	248	-
WICD1140CW	1050-1100W	400-2-50/60	410	912	248	-
WICD1623CW*	1500-1600W	230-1-50/60	410	912	248	-
WICD1540CW*	1400-1500W	400-2-50/460-2-60	410	912	248	-
WICD2223CW*	2100-2200W	230-1-50/60	409	1005	263	-
WICD2140CW	2000-2100W	400-3-50/460-3-60	409	1005	263	-
WICD3123CW	3000-3150W	230-1-50/60	511	1217	347	-
WICD3040CW	2850-3000W	400-3-50/460-3-60	511	1217	347	-
WICD4123CW	4000-4100W	230-1-50/60	511	1217	347	-
WICD4040CW	3950-4050W	400-3-50/460-3-60	511	1217	347	-

\* Item available on stock



## AIR CONDITIONERS WICD 380W FOR WALL AND DOOR MOUNTING

		WICD3823CW	WICDU3811CW
VOLTAGE/PHASE/FREQUENCY	V-ph-Hz	230-1-50/60	115-1-60
COOLING CAPACITY L35L35 - EN14511-2	W	360 - 380	380
COOLING CAPACITY L35L50 - EN14511-2	W	220 - 240	240
WIDTH/HEIGHT/DEPTH	mm	324x443x206	324x443x206
MAX. RUNNING CURRENT	A	1,3 / 1,4	2,9
STARTING CURRENT	A	9,8	18
PRE-FUSE T	A	4	15
POWER CONSUMPTION L35L50 - DIN 3168 W	W	190 - 220	220
SIDE CABINET FAN FLOW, FREE BLOWING	m3/h	164 - 195	195
REGULATION TEMPERATURE LIMITS	°C	+25 / +45	+25 / +45
SIDE AMBIENT TEMPERATURE LIMITS	°C	+20 / +55	+20 / +55
PROTECTION RATING (CABINET SIDE)	IP/Type	54 / -	- / 12
NOISE LEVEL	dB(A)	52	52
WEIGHT	kg	17	17
CERTIFICATIONS		-	cULus listed

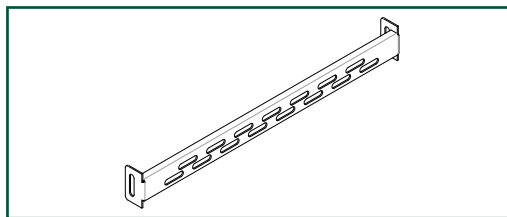
## REINFORCEMENT CROSSPIECES FOR CONDITIONERS FIXING EUTC

### CHARACTERISTICS

Manufactured from sendzimir sheet steel, with slots to allow the fixing of Ethermo air conditioners on E NUX side panels.

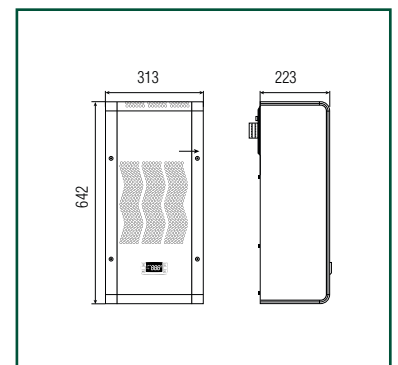
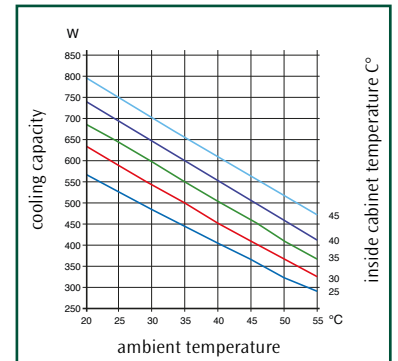
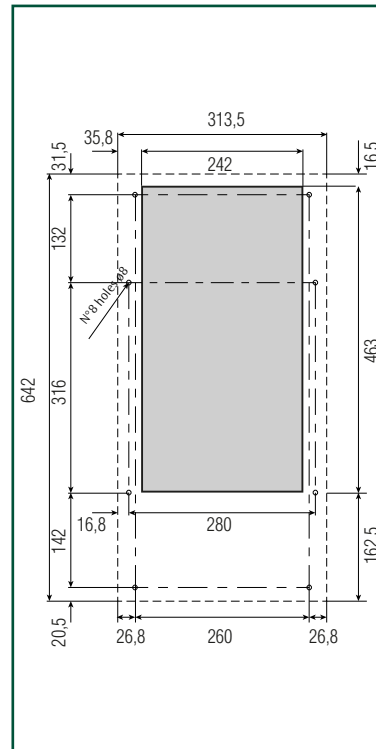
### SUPPLY

Includes 2 pieces with mounting accessories.



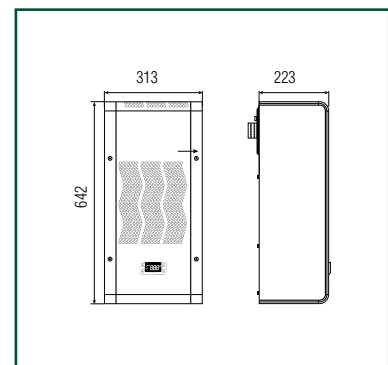
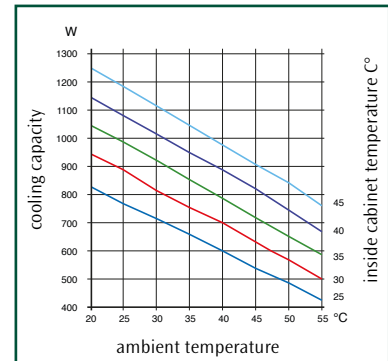
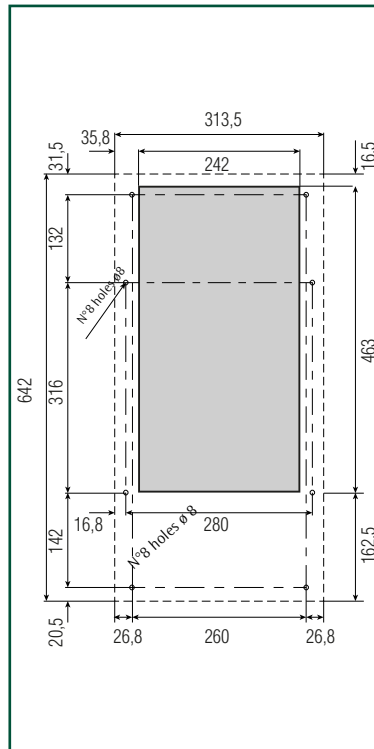
## REINFORCEMENT CROSSPIECES FOR CONDITIONERS FIXING EUTC

EUTC CODE	CABINET DEPTH
EUTC-000500	500
EUTC-000600	600
EUTC-000800	800
EUTC-001000	1000



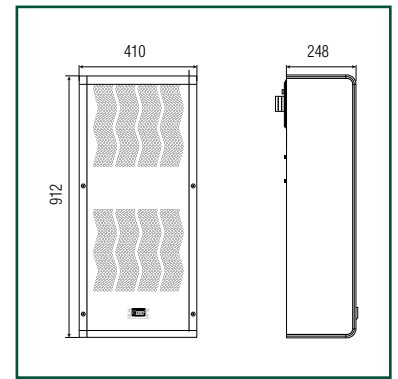
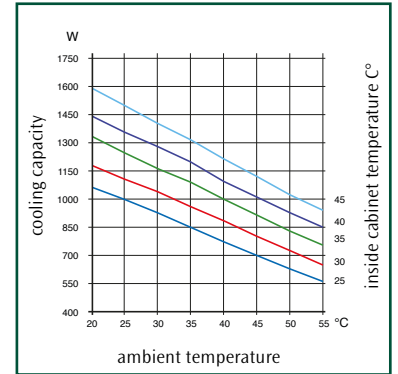
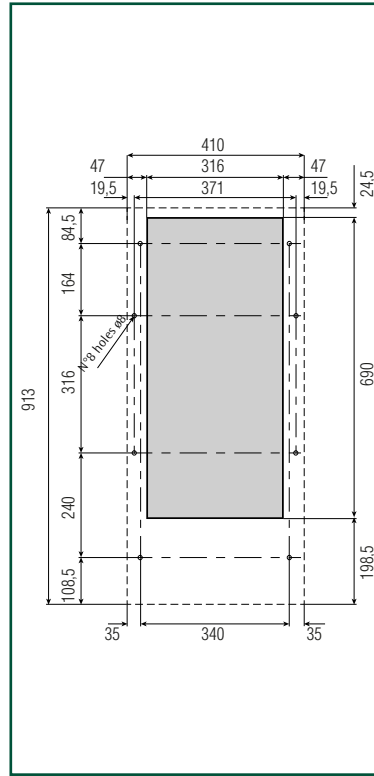
## AIR CONDITIONERS WICD 500 W FOR WALL AND DOOR MOUNTING

		WICD5823CW	WICDU5811CW	WICDU5823CW
VOLTAGE/PHASE/FREQUENCY	V-ph-Hz	230-1-50/60	115-1-60	230-1-50/60
COOLING CAPACITY L35L35 - EN14511-2	W	550 - 580	580	580
COOLING CAPACITY L35L50 - EN14511-2	W	413 - 430	430	430
WIDTH/HEIGHT/DEPTH	mm	313x642x223	313x642x223	313x642x223
MAX. RUNNING CURRENT	A	1,4 / 1,6	4,7	2,1
STARTING CURRENT	A	7,5	17	7,5
PRE-FUSE T	A	4	15	15
POWER CONSUMPTION L35L50 - DIN 3168 W	W	320 - 390	390	390
SIDE CABINET FAN FLOW, FREE BLOWING	m <sup>3</sup> /h	164 - 195	195	195
REGULATION TEMPERATURE LIMITS	°C	+25 / +45	+25 / +45	+25 / +45
SIDE AMBIENT TEMPERATURE LIMITS	°C	+20 / +55	+20 / +55	+20 / +55
PROTECTION RATING (CABINET SIDE)	IP/Type	54 / -	- / 12	- / 12
NOISE LEVEL	dB(A)	60	60	60
WEIGHT	kg	23	23	23
CERTIFICATIONS		-	cULus listed	cULus listed



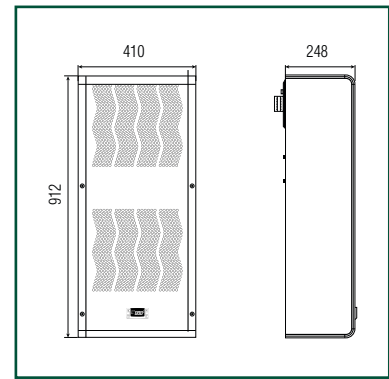
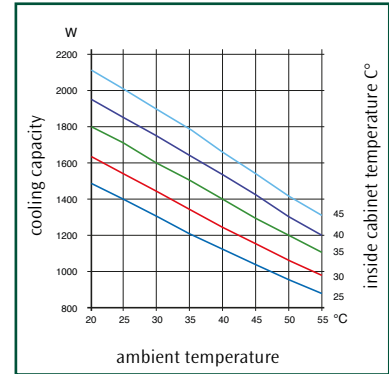
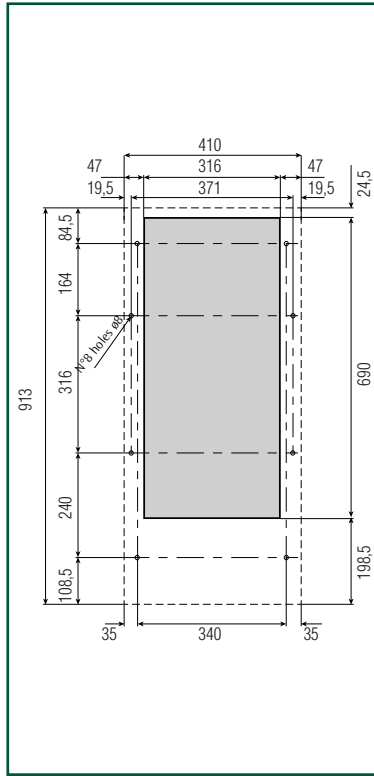
## AIR CONDITIONERS WICD 800 W FOR WALL AND DOOR MOUNTING

		WICD9023CW	WICDU9011CW	WICDU9023CW
VOLTAGE/PHASE/FREQUENCY	V-ph-Hz	230-1-50/60	115-1-60	230-1-50/60
COOLING CAPACITY L35L35 - EN14511-2	W	850 - 900	900	900
COOLING CAPACITY L35L50 - EN14511-2	W	620 - 700	700	700
WIDTH/HEIGHT/DEPTH	mm	313x642x223	313x642x223	313x642x223
MAX. RUNNING CURRENT	A	2,6 / 2,7	7,2	3,9
STARTING CURRENT	A	20	28	20
PRE-FUSE T	A	6	15	15
POWER CONSUMPTION L35L50 - DIN 3168 W	W	420 - 600	600	600
SIDE CABINET FAN FLOW, FREE BLOWING	m3/h	340 - 356	390	390
REGULATION TEMPERATURE LIMITS	°C	+25 / +45	+25 / +45	+25 / +45
SIDE AMBIENT TEMPERATURE LIMITS	°C	+20 / +55	+20 / +55	+20 / +55
PROTECTION RATING (CABINET SIDE)	IP/Type	54 / -	- / 12	- / 12
NOISE LEVEL	dB(A)	64	64	64
WEIGHT	kg	27	27	27
CERTIFICATIONS		-	cULus listed	cULus listed



## AIR CONDITIONERS WICD 1100 W FOR WALL AND DOOR MOUNTING

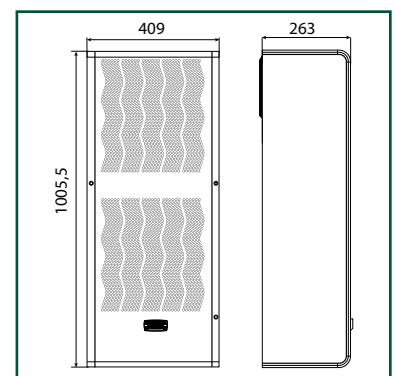
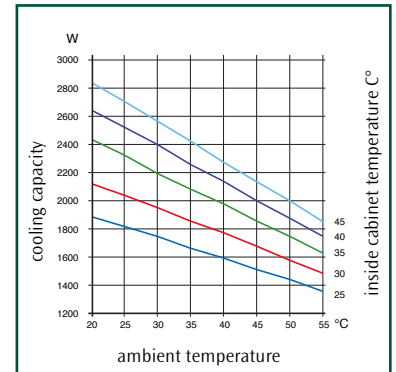
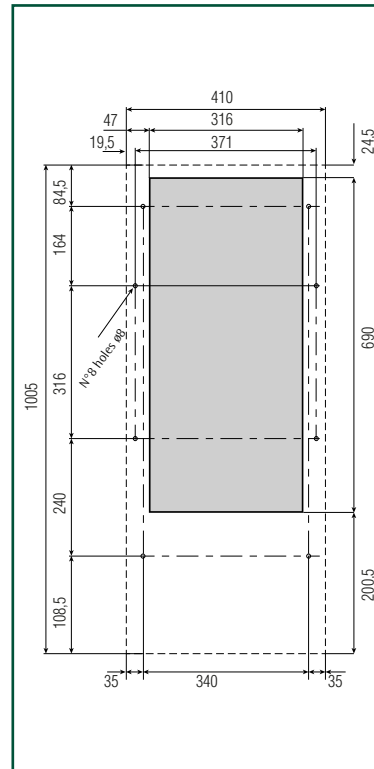
		WICD1123CW	WICD1140CW
VOLTAGE/PHASE/FREQUENCY	V-ph-Hz	230-1-50/60	400-2-50 460-2-60
COOLING CAPACITY L35L35 - EN14511-2	W	1100 - 1150	1050 - 1100
COOLING CAPACITY L35L50 - EN14511-2	W	840 - 890	790 - 840
WIDTH/HEIGHT/DEPTH	mm	410x912x248	410x912x248
MAX. RUNNING CURRENT	A	2,5 - 3	1,3 - 1,4
STARTING CURRENT	A	20	40
PRE-FUSE T	A	6	4
POWER CONSUMPTION L35L50 - DIN 3168 W	W	510 - 650	510 - 650
SIDE CABINET FAN FLOW, FREE BLOWING	m <sup>3</sup> /h	540 - 580	540 - 580
REGULATION TEMPERATURE LIMITS	°C	+25 / +45	+25 / +45
SIDE AMBIENT TEMPERATURE LIMITS	°C	+20 / +55	+20 / +55
PROTECTION RATING (CABINET SIDE)	IP/Type	54 / -	54 / -
NOISE LEVEL	dB(A)	65	65
WEIGHT	kg	44	50



## AIR CONDITIONERS WICD 1500 W FOR WALL AND DOOR MOUNTING

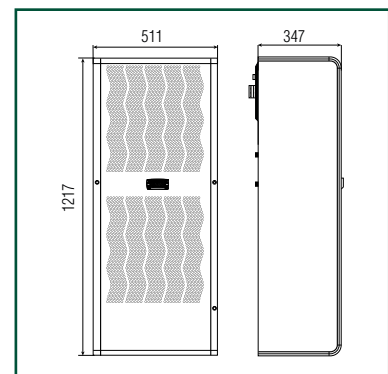
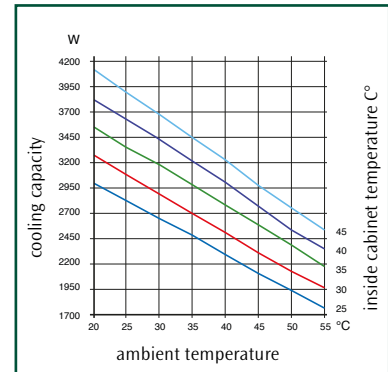
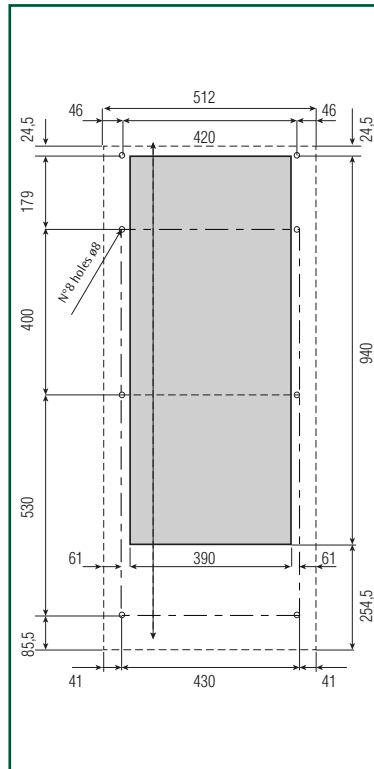
		WICD1623CW	WICD1540CW	WICDU1611CW	WICDU1623CW
VOLTAGE/PHASE/FREQUENCY	V-ph-Hz	230-1-50/60	400-2-50 / 460-2-60	115-1-60	230-1-50/60
COOLING CAPACITY L35L35 - EN14511-2	W	1500 - 1600	1400 - 1500	1600	1600
COOLING CAPACITY L35L50 - EN14511-2	W	1200 - 1280	1150 - 1200	1280	1280
WIDTH/HEIGHT/DEPTH	mm	410x912x248	410x912x248	410x912x248	410x912x248
MAX. RUNNING CURRENT	A	3,9 / 4,3	2,5 / 2,6	9,4	4,5
STARTING CURRENT	A	28	110	50	28
PRE-FUSE T	A	8	6	15	15
POWER CONSUMPTION L35L50 - DIN 3168 W	W	750 - 825	750 - 825	825	825
SIDE CABINET FAN FLOW, FREE BLOWING	m <sup>3</sup> /h	540 - 580	540 - 580	580	580
REGULATION TEMPERATURE LIMITS	°C	+25 / +45	+25 / +45	+25 / +45	+25 / +45
SIDE AMBIENT TEMPERATURE LIMITS	°C	+20 / +55	+20 / +55	+20 / +55	+20 / +55
PROTECTION RATING (CABINET SIDE)	IP/Type	54 / -	54 / -	- / 12	- / 12
NOISE LEVEL	dB(A)	65	65	65	65
WEIGHT	kg	46	53	46	46
CERTIFICATIONS		-	-	cULus listed	cULus listed





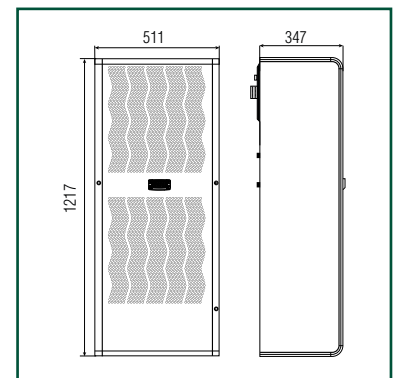
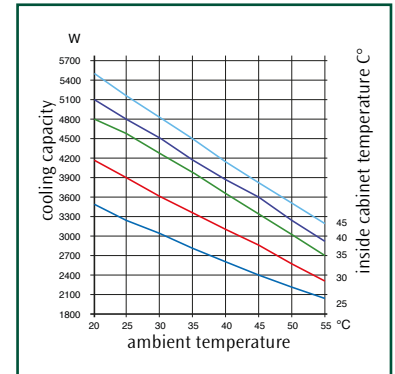
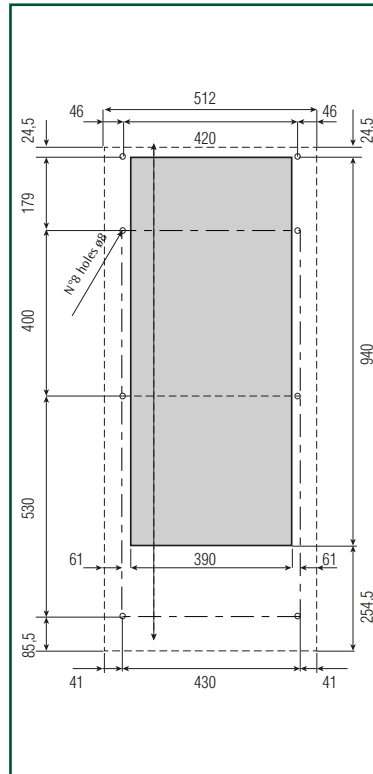
## AIR CONDITIONERS WICD 2000 W FOR WALL AND DOOR MOUNTING

		WICD2223CW	WICD2140CW	WICDU2211CW	WICDU2223CW
VOLTAGE/PHASE/FREQUENCY	V-ph-Hz	230-1-50/60	400-3-50 / 460-3-60	115-1-60	230-1-50/60
COOLING CAPACITY L35L35 - EN14511-2	W	2100 - 2200	2000 - 2100	2200	2200
COOLING CAPACITY L35L50 - EN14511-2	W	1750 - 1850	1700 - 1800	1850	1850
WIDTH/HEIGHT/DEPTH	mm	409x1005x263	409x1005x263	409x1005x263	409x1005x263
MAX. RUNNING CURRENT	A	4,8 / 5,5	2,5 / 2,7	13,64	6,3
STARTING CURRENT	A	34	22	60	34
PRE-FUSE T	A	10	6	25	15
POWER CONSUMPTION L35L50 - DIN 3168 W	W	1120 - 1240	1100 - 1200	1240	1240
SIDE CABINET FAN FLOW, FREE BLOWING	m3/h	540 - 580	890 - 930	930	580
REGULATION TEMPERATURE LIMITS	°C	+25 / +45	+25 / +45	+25 / +45	+25 / +45
SIDE AMBIENT TEMPERATURE LIMITS	°C	+20 / +55	+20 / +55	+20 / +55	+20 / +55
PROTECTION RATING (CABINET SIDE)	IP/Type	54 / -	54 / -	- / 12	- / 12
NOISE LEVEL	dB(A)	66	66	66	66
WEIGHT	kg	48	48	48	48
CERTIFICATIONS		-	-	cULus listed	cULus listed



## AIR CONDITIONERS WICD 3000 W FOR WALL AND DOOR MOUNTING

		WICD3123CW	WICD3040CW	WICDU3123CW
VOLTAGE/PHASE/FREQUENCY	V-ph-Hz	230-1-50/60	400-3-50 460-3-60	230-1-50/60
COOLING CAPACITY L35L35 - EN14511-2	W	3000 - 3150	2850 - 3000	3150
COOLING CAPACITY L35L50 - EN14511-2	W	2400 - 2600	2300 - 2500	2600
WIDTH/HEIGHT/DEPTH	mm	511x1217x347	511x1217x347	511x1217x347
MAX. RUNNING CURRENT	A	5 / 5,5	2,7 / 3	8
STARTING CURRENT	A	35	19	35
PRE-FUSE T	A	8	6	15
POWER CONSUMPTION L35L50 - DIN 3168 W	W	1370 - 1510	1370 - 1510	1510
SIDE CABINET FAN FLOW, FREE BLOWING	m3/h	890 - 930	890 - 930	930
REGULATION TEMPERATURE LIMITS	°C	+25 / +45	+25 / +45	+25 / +45
SIDE AMBIENT TEMPERATURE LIMITS	°C	+20 / +55	+20 / +55	+20 / +55
PROTECTION RATING (CABINET SIDE)	IP/Type	54 / -	54 / -	- / 12
NOISE LEVEL	dB(A)	67	67	67
WEIGHT	kg	75	80	75
CERTIFICATIONS		-	-	cULus listed



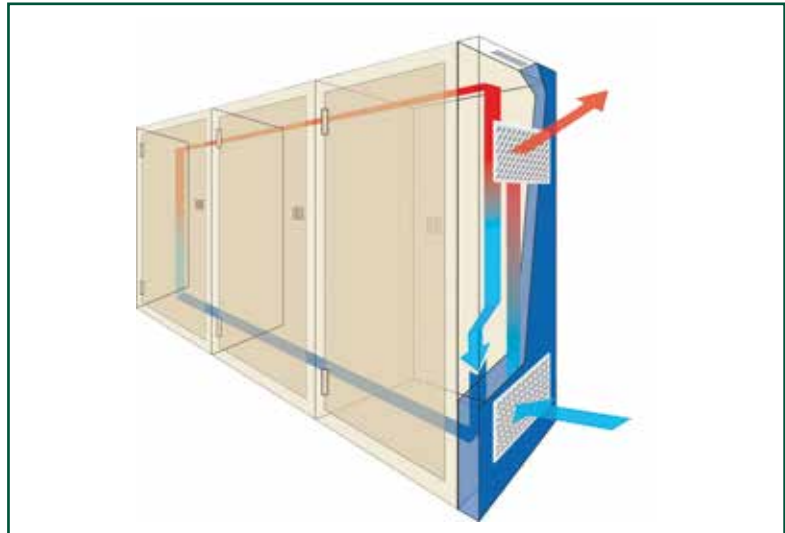
## AIR CONDITIONERS WICD 4000 W FOR WALL AND DOOR MOUNTING

		WICD4123CW	WICD4040CW	WICDU4123CW
VOLTAGE/PHASE/FREQUENCY	V-ph-Hz	230-1-50/60	400-3-50 460-3-60	230-1-50/60
COOLING CAPACITY L35L35 - EN14511-2	W	4000 - 4100	3950 - 4050	4100
COOLING CAPACITY L35L50 - EN14511-2	W	3000 - 3300	2960 - 3260	3300
WIDTH/HEIGHT/DEPTH	mm	511x1217x347	511x1217x347	511x1217x347
MAX. RUNNING CURRENT	A	8,2 / 9,4	2,9 / 4	6,3
STARTING CURRENT	A	42	25	35
PRE-FUSE T	A	16	8	15
POWER CONSUMPTION L35L50 - DIN 3168 W	W	1730 - 1950	1730 - 1950	1950
SIDE CABINET FAN FLOW, FREE BLOWING	m3/h	1180 - 1300	1180 - 1300	1300
REGULATION TEMPERATURE LIMITS	°C	+25 / +45	+25 / +45	+25 / +45
SIDE AMBIENT TEMPERATURE LIMITS	°C	+20 / +55	+20 / +55	+20 / +55
PROTECTION RATING (CABINET SIDE)	IP/Type	54 / -	54 / -	- / 12
NOISE LEVEL	dB(A)	67	67	67
WEIGHT	kg	80	85	80
CERTIFICATIONS		-	-	cULus listed



**TECHNICAL FEATURES**

- Air conditioners for suite cabinets
- Available in two sizes (600 or 800mm width)
- Cooling capacity from 5800W to 10000W
- Digital thermostat ECB



**AIR CONDITIONERS FOR SUITE CABINETS**

WICE CODE	COOLING CAPACITY L35L35 DIN3168	POWER SUPPLY V-ph-Hz	DIMENSIONS		
			WIDTH	HEIGHT	DEPTH
WICE5840CW	5800 W	400-3-50 / 460-3-60	600	2000	384
WICE8040CW	8000 W	400-3-50 / 460-3-60	800	2000	384
WICE10040CW	10000 W	400-3-50 / 460-3-60	800	2000	384

**AIR DUCT**

For suite cabinets, we propose an air duct manufactured from press bent sheet steel.

**PAINT FINISH**

ETA standard epoxy polyester powder coating.  
Colour: RAL 5020.

**SUPPLY**

Modular element based on the dimensions of the joined cabinets, including punching on the roof and adjustment of the air flow.

Note: available on request.

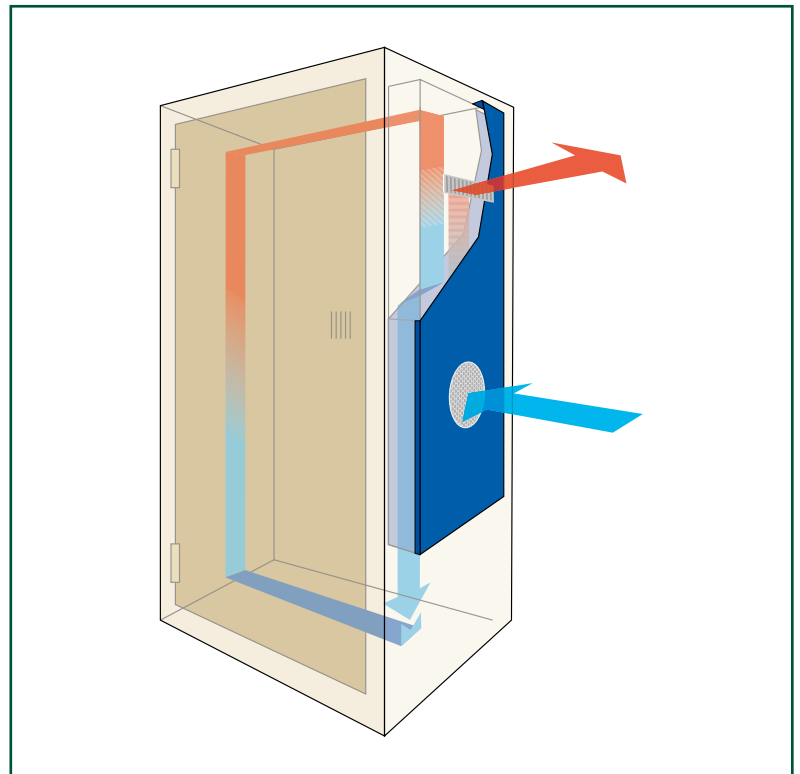


## TECHNICAL FEATURES

- Slim air conditioners suitable for door mounting
- Designed for total recessed mounting
- External installation with accessories supplied separately
- Available in 3 sizes
- Cooling capacity from 500 to 3000W
- Digital thermostat ECB
- Integrated filter
- µchannel condenser
- Condensate dissipating device from WIDC-14...
- Control phase module on three-phase models as standard

## OPTIONAL

- Frame for external mounting (see following page for assembly instructions)

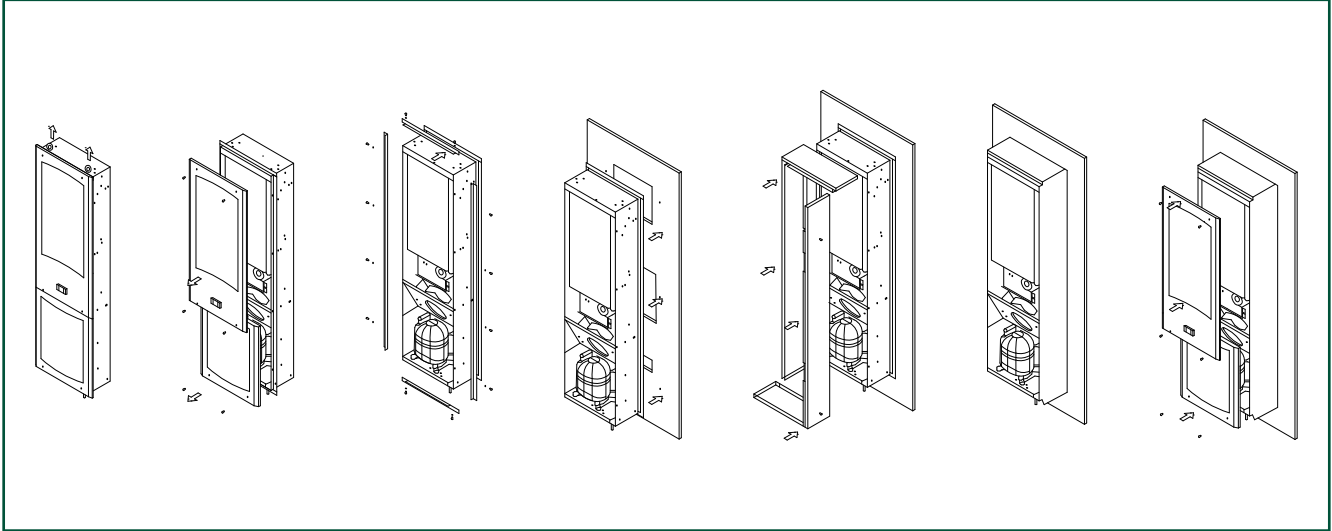


## EXTRA-SLIM AIR CONDITIONERS FOR DOOR MOUNTING

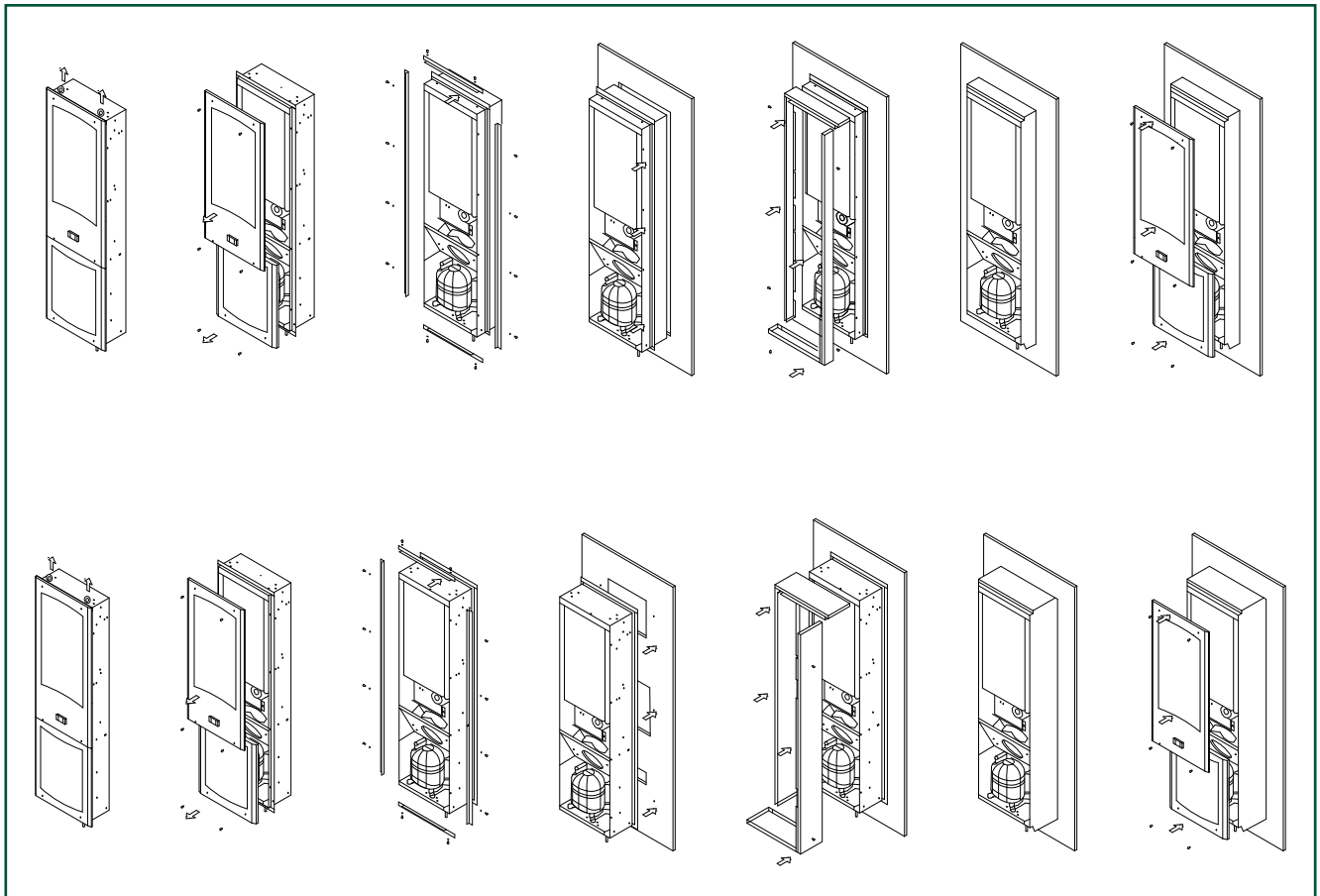
WIDC CODE	COOLING CAPACITY L35L35 DIN3168	POWER SUPPLY V-ph-Hz	DIMENSIONS		
			WIDTH	HEIGHT	DEPTH
WIDC-1023CW	1000 - 1150 W	230 - 1 - 50/60	375	957	212
WIDC-1423CW	1400 - 1500 W	230 - 1 - 50/60	454	1665	197
WIDC-2040CW	2000 - 2200 W	400 - 3 - 50 / 460 - 3 - 60	454	1665	197
WIDC-3040CW*	3000 - 3200 W	400 - 3 - 50 / 460 - 3 - 60	496	1665	237

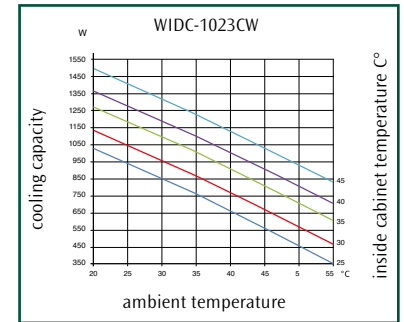
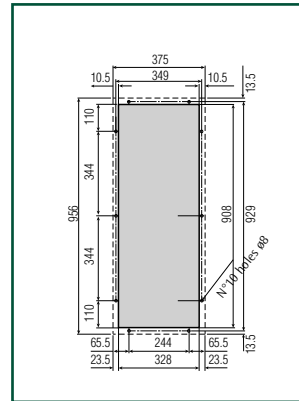
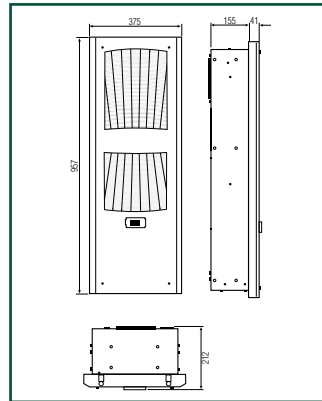
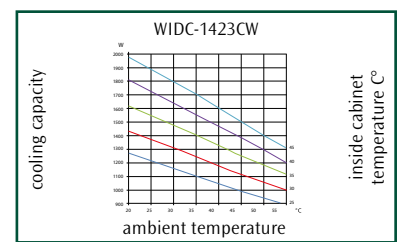
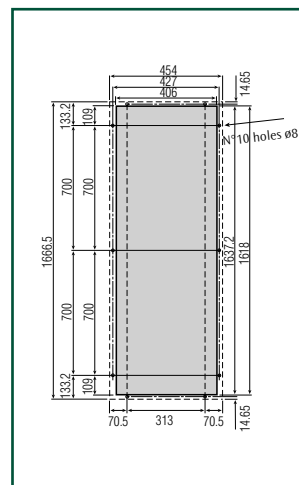
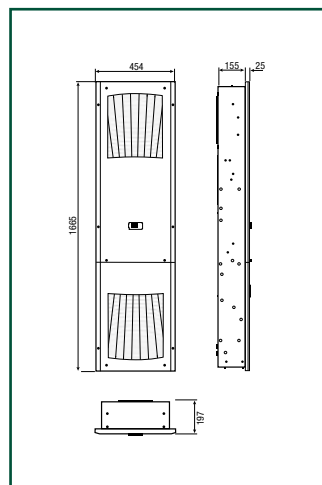
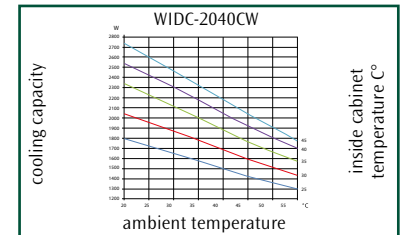
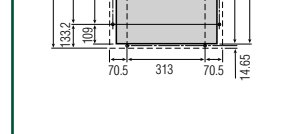
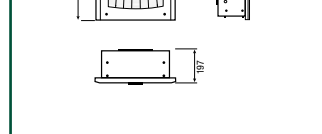
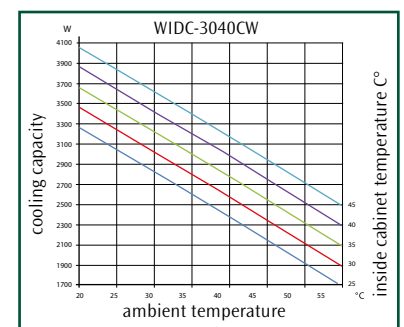
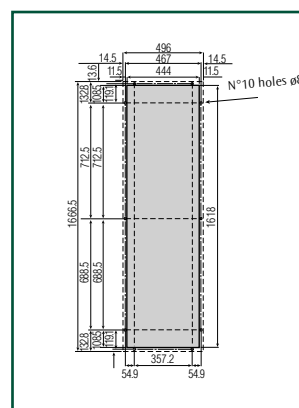
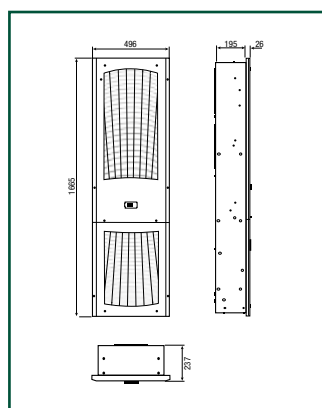
\* For mounting on doors W=600mm or W=800mm, please specify when ordering.

WIDC - 10



WIDC 14 - 20 - 30



**WIDC-1023CW**

**WIDC-1423CW**

**WIDC-2040CW**

**WIDC-3040CW**


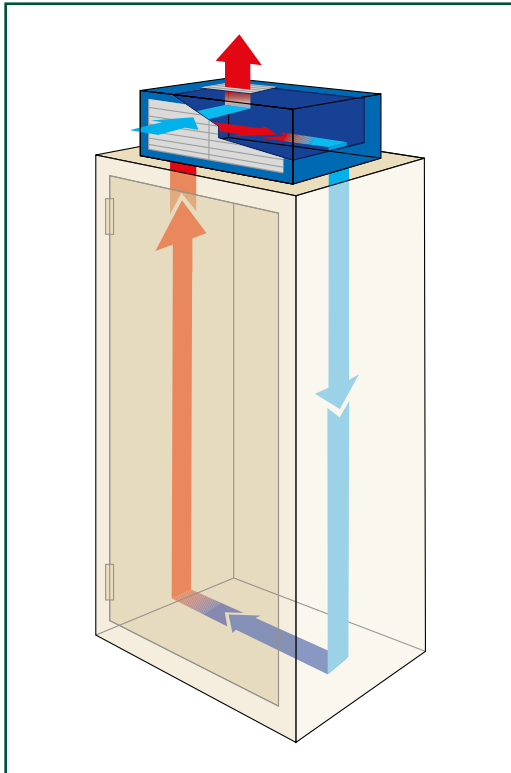
### EXTRA-SLIM AIR CONDITIONERS FOR DOOR MOUNTING

		WIDC-1023CW	WIDC-1423CW	WIDC-2040CW	WIDC-3040CW
VOLTAGE/PHASE/FREQUENCY	V-ph-Hz	230-1-50/60	230-1-50/60	400-3-50 400-3-60	400-3-50 400-3- 60
COOLING CAPACITY L35L35 - EN14511-2	W	1000 - 1150	1400 - 1500	2000 - 2200	3000 - 3200
COOLING CAPACITY L35L50 - EN14511-2	W	700 - 800	1170 - 1250	1650 - 1800	2300 - 2500
WIDTH/HEIGHT/DEPTH	MM	375x957x212	454x1665x197	454x1665x197	496x1665x237
MAX. RUNNING CURRENT	A	3,4 - 3,7	3,6 - 3,8	2,7 - 2,9	2,8 - 3
STARTING CURRENT	A	12,5	20,5	18	15
PRE-FUSE T	A	6	8	8	8
POWER CONSUMPTION L35L50 - DIN 3168 W	W	640 - 750	710 - 880	1190 - 1400	1430 - 1800
SIDE CABINET FAN FLOW, FREE BLOWING	M <sup>3</sup> /h	330	575	860	860
REGULATION TEMPERATURE LIMITS	°C	25 - 45	25 - 45	25 - 45	25 - 45
SIDE AMBIENT TEMPERATURE LIMITS	°C	20 - 55	20 - 60**	20 - 55	20 - 55
PROTECTION RATING (CABINET SIDE)	IP/Type	54	54	54	54
NOISE LEVEL	dB(A)	58	57	65	65
WEIGHT	kg	34	50,5	55	69

\*\* Only 50 Hz, max T=55 C° at 60 Hz



\* Check the templates for further details



## TECHNICAL FEATURES

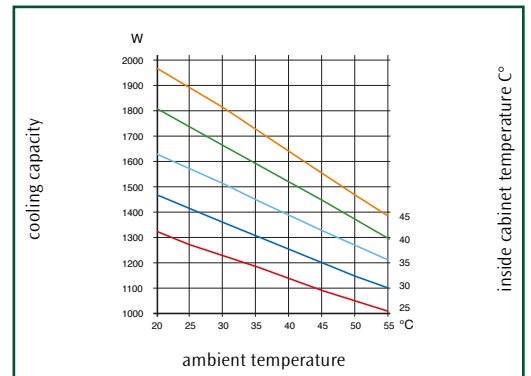
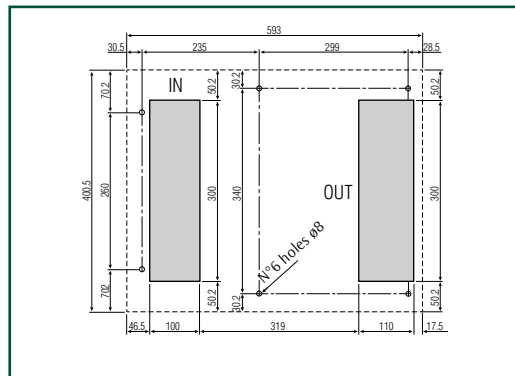
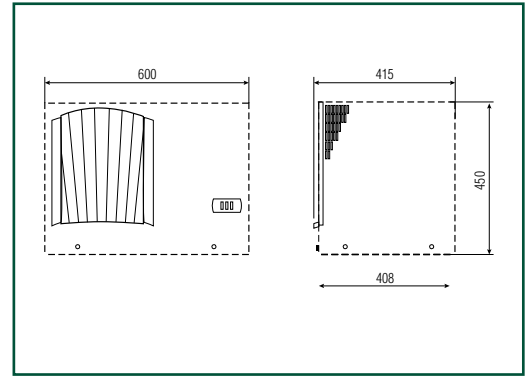
- Top mounting air-conditioner
- Self cleaning condenser
- Anti-condensate hydrophilic evaporator
- Available in 5 sizes
- Cooling capacity: 330-5200W
- Condensate dissipating device from WICT-1423CW model
- Digital thermostat ECB (except 330W)

## TOP MOUNTING AIR CONDITIONERS

WICT CODE	COOLING CAPACITY L35L35 DIN3168	POWER SUPPLY V-ph-Hz	DIMENSIONS			CERTIFICATIONS
			WIDTH	HEIGHT	DEPTH	
WICT3323CW	330 W	230-1-50/60	476	180	324	-
WICT3311CW	330 W	115-1-60	476	180	324	-
WICTU5023CW	600 W	230-1-50/60	600	335	325	cRUus
WICTU5011CW	600 W	115-1-60	600	335	325	cRUus
WICT6023CW	600 W	230-1-50/60	600	335	325	-
WICT6040CW	600 W	400-2-50 460-2-60	600	335	325	-
WICT9023CW	900 W	230-1-50/60	600	335	325	-
WICTU1023CW	900 W	230-1-50/60	600	335	325	cRUus
WICTU1011CW	900 W	115-1-60	600	335	325	cRUus
WICT1423CW	1400 W	230-1-50/60	600	450	400	-
WICTU1423CW*	1400 W	230-1-50/60	600	450	400	cRUus
WICTU1411CW	1400 W	115-1-60	600	450	400	cRUus
WICT1440CW	1400 W	400-2-50 460-2-60	600	450	400	-
WICT2023CW*	2000 W	230-1-50/60	600	450	400	-
WICT2040CW	2000 W	400-2-50 460-2-60	600	450	400	-
WICT2723CW	2700 W	230-1-50/60	800	480	450	-
WICT2740CW	2700 W	400-3-50 460-3-60	800	480	450	-
WICT3823CW	3800 W	230-1-50/60	800	480	450	-
WICTU3823CW	3800 W	230-1-50/60	800	480	450	cRUus
WICT3840CW	3800 W	400-3-50 460-3-60	800	480	450	-
WICT5240CW	5200 W	400-3-50 460-3-60	800	550	600	-

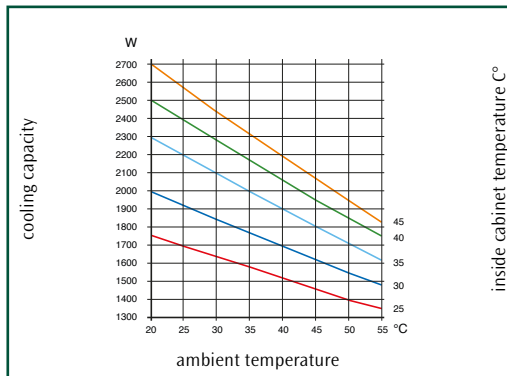
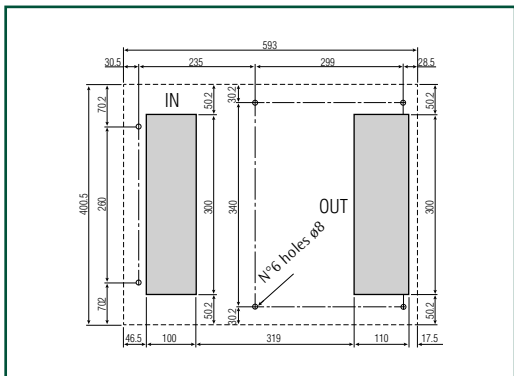
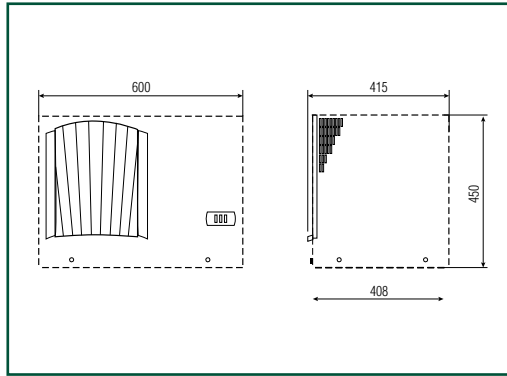
\* Item available on stock





## TOP MOUNTING AIR CONDITIONERS WICT 1400 W

		WICT1423CW	WICTU1423CW	WICTU1411CW	WICT1440CW
VOLTAGE/PHASE/FREQUENCY	V-ph-Hz	230-1 50/60	230-1 50/60	115-1-60	400-2-50 460-2-60
COOLING CAPACITY L35L35 - EN14511-2	W	1400	1400	1400	1400
COOLING CAPACITY L35L50 - EN14511-2	W	1170	1170	1170	1170
WIDTH/HEIGHT/DEPTH	MM	600x450x400	600x450x400	600x450x400	600x450x400
MAX. RUNNING CURRENT	A	5,2	5,5	10	2,8
STARTING CURRENT	A	17	17	34	31
PRE-FUSE T	A	8	8	16	10
POWER CONSUMPTION L35L50 - DIN 3168 W	W	950	950	950	950
SIDE CABINET FAN FLOW, FREE BLOWING	M <sup>3</sup> /h	575	575	575	575
REGULATION TEMPERATURE LIMITS	°C	25-45	25-45	25-45	25-45
SIDE AMBIENT TEMPERATURE LIMITS	°C	20-55	20-55	20-55	20-55
NOISE LEVEL	dB(A)	58	58	58	58
WEIGHT	kg	48	48	48	53
CERTIFICATIONS		-	cURus	cURus	-



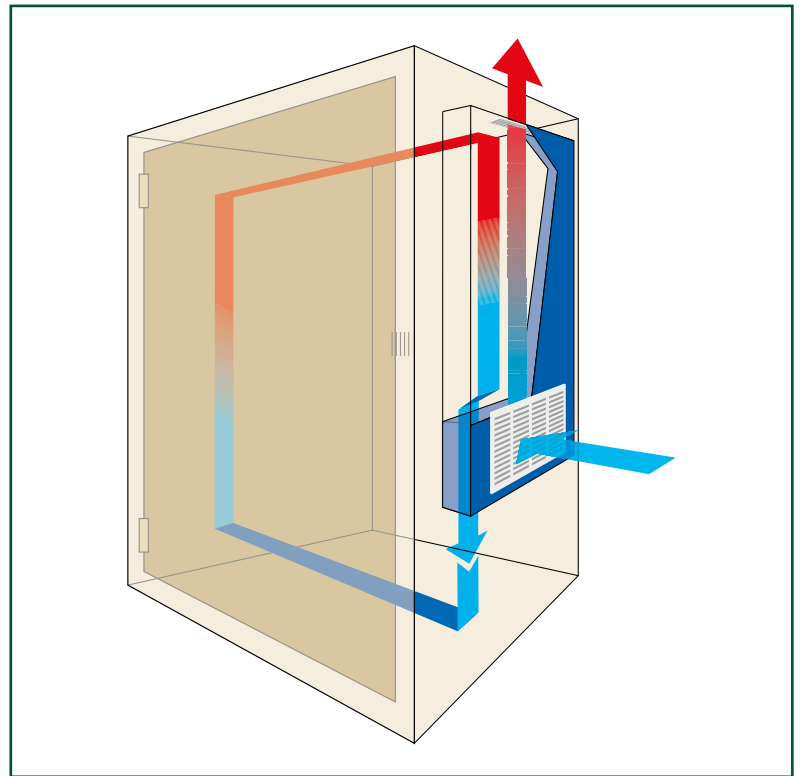
## TOP MOUNTING AIR CONDITIONERS WICT 2000 W

		WICT2023CW	WICT2040CW
VOLTAGE/PHASE/FREQUENCY	V-ph-Hz	230-1 50/60	400-2-50 460-2-60
COOLING CAPACITY L35L35 - EN14511-2	W	2000	2000
COOLING CAPACITY L35L50 - EN14511-2	W	1700	1700
WIDTH/HEIGHT/DEPTH	MM	600x450x400	600x450x400
MAX. RUNNING CURRENT	A	5,7	3,3
STARTING CURRENT	A	22	31
PRE-FUSE T	A	8	10
POWER CONSUMPTION L35L50 - DIN 3168 W	W	1200	1200
SIDE CABINET FAN FLOW, FREE BLOWING	M <sup>3</sup> /h	860	860
REGULATION TEMPERATURE LIMITS	°C	25-45	25-45
SIDE AMBIENT TEMPERATURE LIMITS	°C	20-55	20-55
NOISE LEVEL	dB(A)	62	62
WEIGHT	kg	51,5	58,5



**TECHNICAL FEATURES**

- Designed for outdoor applications
- Cooling capacity: 500-4000W
- Electronic Board XCB + display (accessory)
- Condenser  $\mu$ channel (from WICA16...)
- General alarm and remote control standard

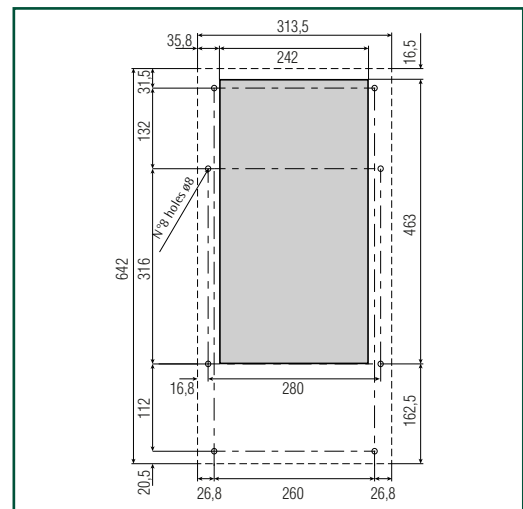
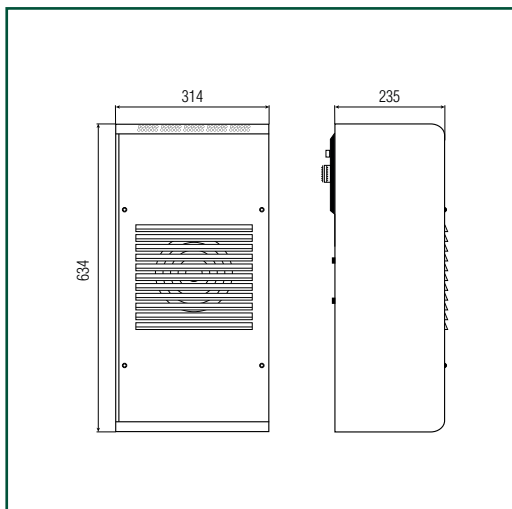
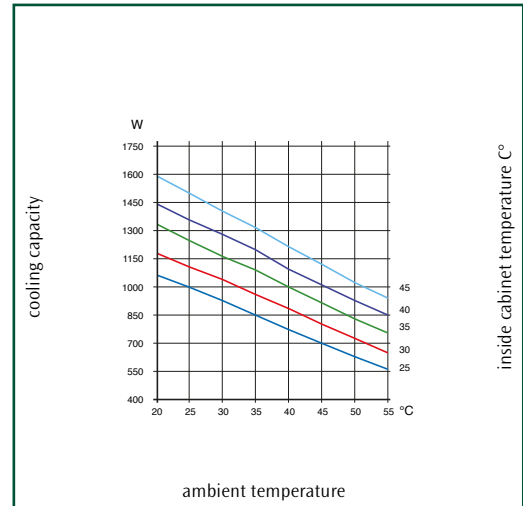


OUTDOOR AIR CONDITIONERS					
WICA	COOLING CAPACITY	POWER SUPPLY	DIMENSIONS		
CODE	L35L35 EN14511-2	V-ph-Hz	WIDTH	HEIGHT	DEPTH
WICA9023CW	850-900W	230-1-50/60	314	634	235
WICA1623CW	1500-1600W	230-1-50/60	410	906	272
WICA2223CW	2100-2200W	230-1-50/60	409	999	286
WICA4123CW	4000-4100W	230-1-50/60	511	1211	356
WICA4040CW	3950-4050W	400-3-50 / 460-3-60	511	1211	356

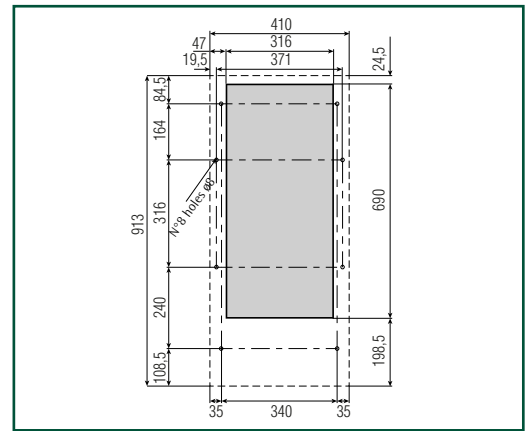
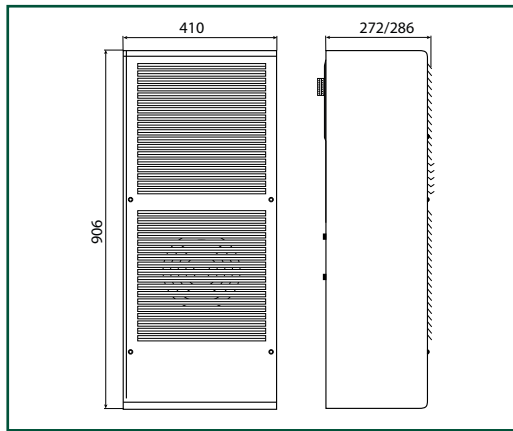
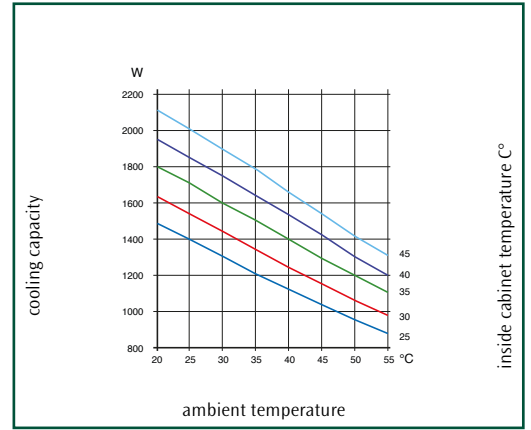
## OUTDOOR AIR CONDITIONERS

		WICA9023CW	WICA1623CW	WICA2223CW	WICA4123CW	WICA4040CW
VOLTAGE/PHASE/FREQUENCY	V-ph-Hz	230-1-50/60	230-1-50/60	230-1-50/60	230-1-50/60	400-3-50 / 460-3-60
COOLING CAPACITY L35L35 - EN14511-2	W	850 - 900	1500 - 1600	2100 - 2200	4000 - 4100	3950 - 4050
COOLING CAPACITY L35L50 - EN14511-2	W	620 - 700	1200 - 1280	1750 - 1850	3000 - 3300	2960 - 3260
WIDTH/HEIGHT/DEPTH	mm	314x634x235	410x906x272	409x999x286	511x1211x356	511x1211x356
MAX. RUNNING CURRENT	A	2,6 - 2,7	3,9 / 4,3	4,8 / 5,5	8,2 / 9,4	2,9 / 4
STARTING CURRENT	A	20	28	34	42	25
PRE-FUSE T	A	6	8	10	16	8
POWER CONSUMPTION L35L50 - DIN 3168 W	W	420 - 600	750 - 825	1120 - 1240	1730 - 1950	1730 - 1950
SIDE CABINET FAN FLOW, FREE BLOWING	m <sup>3</sup> /h	3440 - 356	540 - 580	540 - 580	1180 - 1300	1180 - 1300
REGULATION TEMPERATURE LIMITS	°C	+25 / +45	+25 / +45	+25 / +45	+25 / +45	+25 / +45
SIDE AMBIENT TEMPERATURE LIMITS	°C	-20 / +55	-20 / +55	-20 / +55	-20 / +55	-20 / +55
PROTECTION RATING (CABINET SIDE)	IP/Type	54 / -	54 / -	54 / -	54 / -	54 / -
NOISE LEVEL	dB(A)	64	65	66	67	67
WEIGHT	kg	27	46	48	80	85

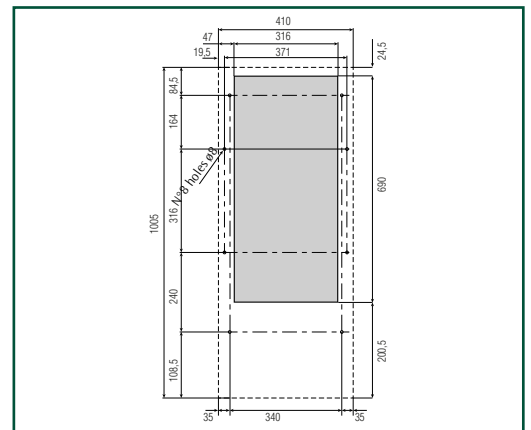
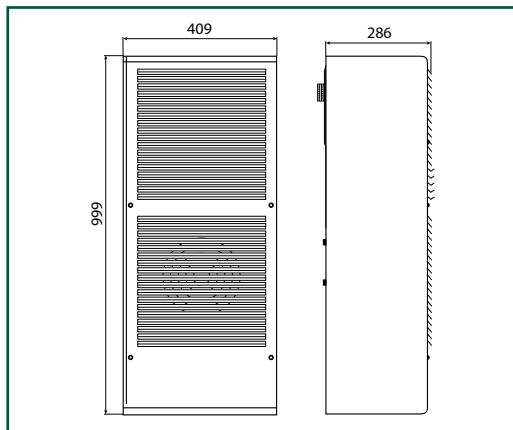
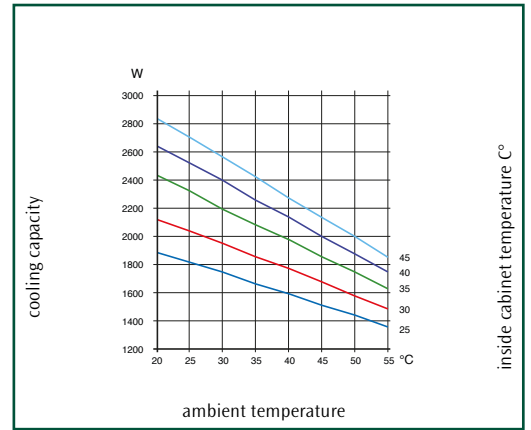
WICA9023CW



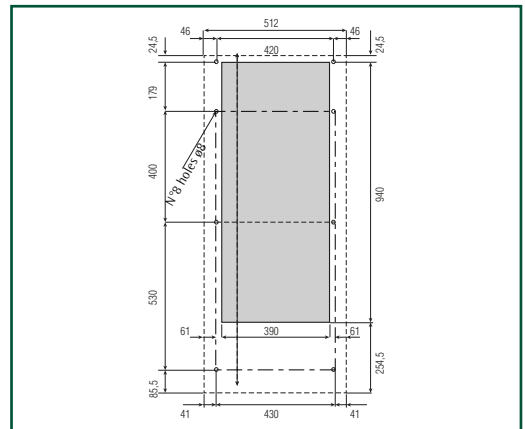
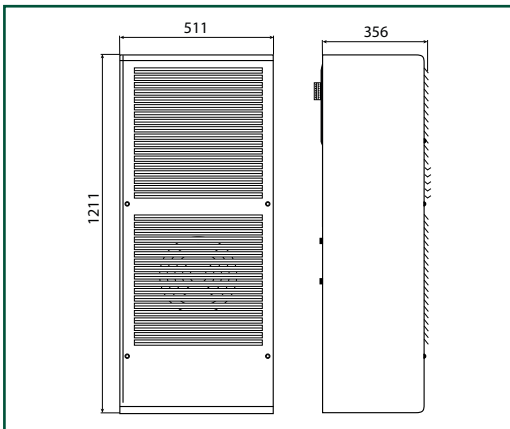
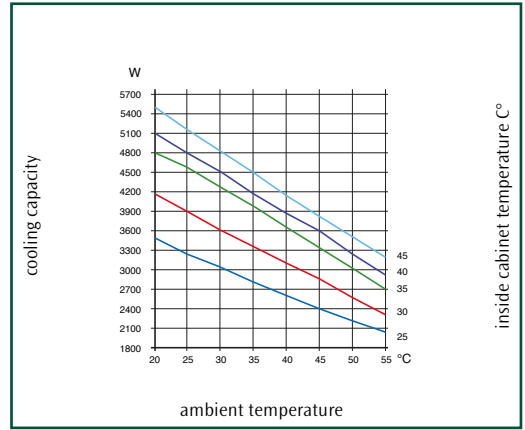
WICA1623CW



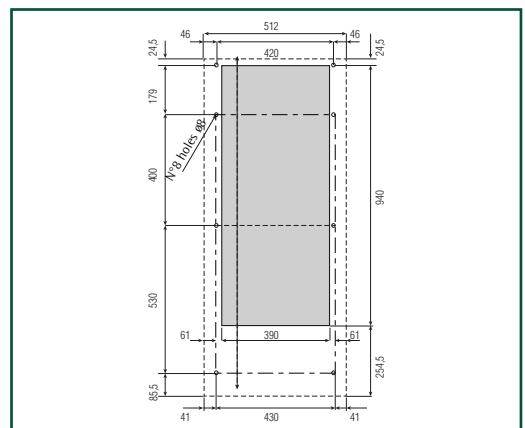
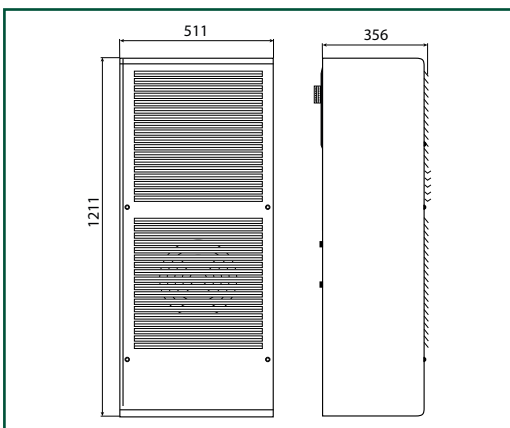
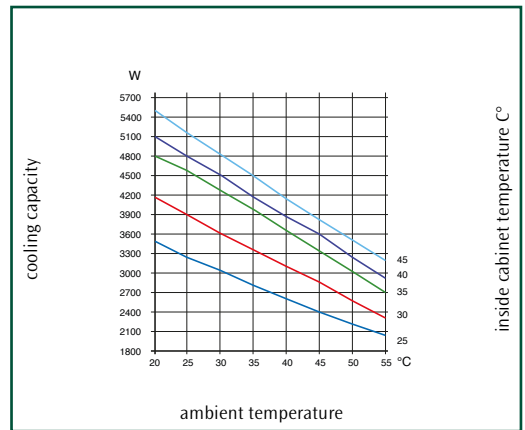
WICA2223CW



WICA4123CW



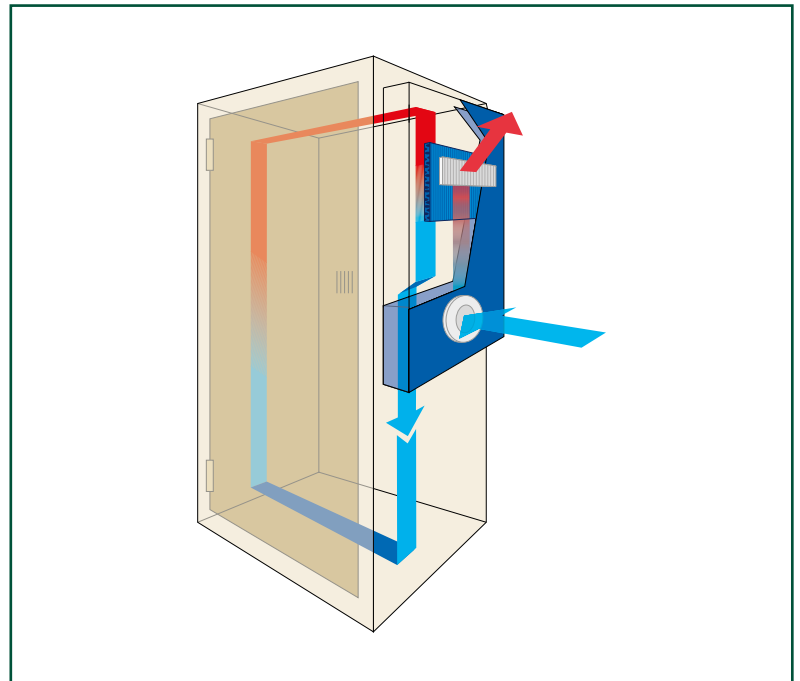
WICA4040CW





**TECHNICAL FEATURES**

- Available in 4 sizes
- Patented heat exchange core made of aluminium, to ensure high efficiency with compact dimensions
- Specific Heat Transmission 16-85 W/K

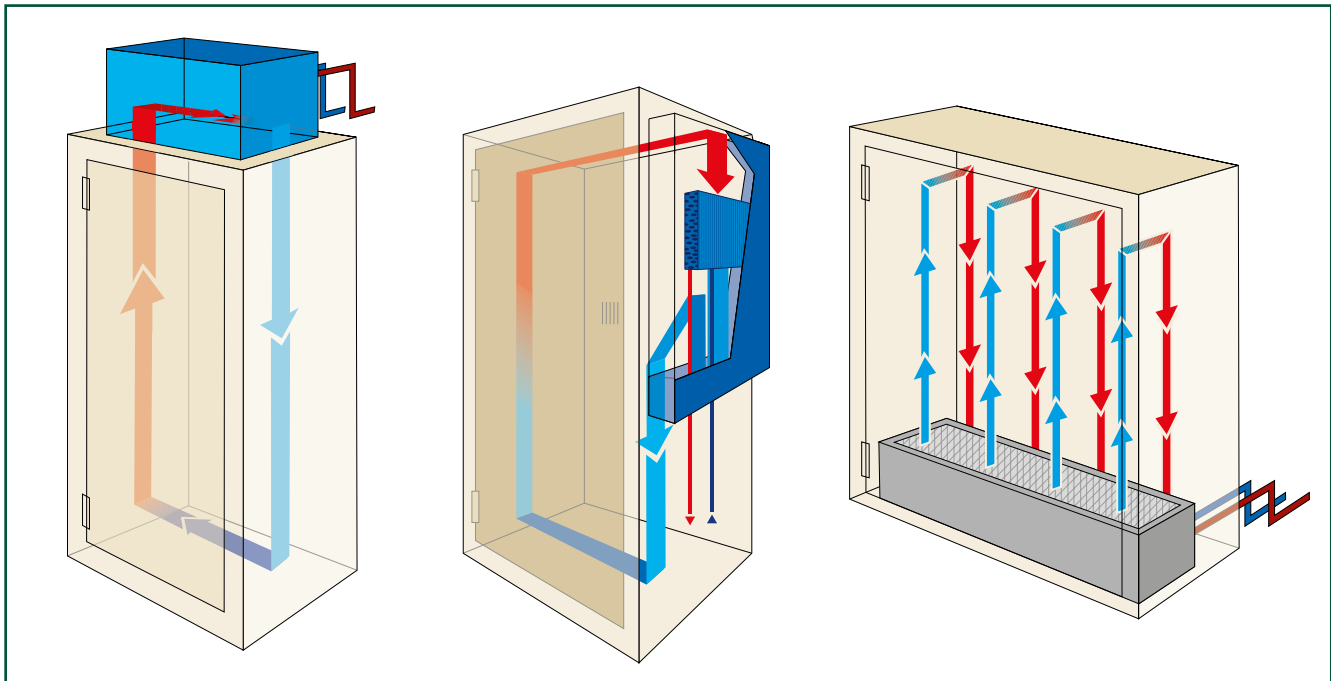


AIR-TO-AIR HEAT EXCHANGERS							
WISC CODE	SPECIFIC HEAT TRANSMISSION	POWER SUPPLY V-ph-Hz	DIMENSIONS			CERTIFICATIONS	
			WIDTH	HEIGHT	DEPTH		
WISC1623CW	16 W/K	230-1-50/60	204	410	109	-	
WISCU1611CW	16 W/K	115-1-60	204	410	109	cULus	
WISC3523CW	35 W/K	230-1-50/60	254	780	90	-	
WISCU3523CW	35 W/K	230-1-60	254	780	90	cULus	
WISCU3511CW	35 W/K	115-1-60	254	780	90	cULus	
WISC5023CW	50 W/K	230-1-50/60	312	780	90	-	
WISCU5023CW	50 W/K	230-1-60	312	780	90	cULus	
WISCU5011CW	50 W/K	115-1-60	312	780	90	cULus	
WISC8023CW	80 W/K	230-1-50/60	311	1250	108	-	
WISCU8023CW	80 W/K	230-1-60	311	1250	108	cULus	
WISCU8011CW	80 W/K	115-1-60	311	1250	108	cULus	
WISC8523CW	85 W/K	230-1-50/60	311	1250	108	-	



**TECHNICAL FEATURES**

- Available in 8 sizes
- Cooling capacity: 870-25000W
- 2 possibilities for mounting (wall or top mounting)



**AIR-TO-WATER HEAT EXCHANGERS**

CODICE WISW	SPECIFIC HEAT TRANSMISSION	POWER SUPPLY V-ph-Hz	DIMENSIONS			CERTIFICATIONS
			WIDTH	HEIGHT	DEPTH	
WISW87230CW	870 W	230-1-50/60	306	403	113	–
WISW87115CW	870 W	115-1-60	306	403	113	cULus
WISW220230CW	2200 W	230-1-50/60	402	916	206	–
WISW220115CW	2200 W	115-1-60	400	925	205	cULus
WISW220230CWH*	2200 W	230-1-50/60	800	200	400	–
WISW220115CWH*	2200 W	230-1-50/60	800	200	400	–
WISW310230CW	3100 W	230-1-50/60	402	916	206	–
WISW310115CW	3100 W	115-1-60	400	925	205	cULus
WISW670230CW	6700 W	230-1-50/60	503	1091	293	–
WISW1250230CW	12500 W	230-1-50/60	800	2000	400	–
WISW1250400CW	12500 W	400-2-50 440-2-60	800	2000	400	–
WISW1750400CW	17500 W	400-2-50 440-2-60	800	2000	600	–
WISW1750230CW	17500 W	230-1-50/60	800	2000	600	–
WISW2500230CW	25000 W	230-1-50/60	800	2000	600	–

\* top mounting





**TECHNICAL FEATURES**

- Air Flow 37-831 m<sup>3</sup>/h
- Reversible air flow, push/pull (except WT315B – WT315VB)\*
- Easy maintenance and filter substitution

**CHARACTERISTICS**

Grids and supports manufactured from thermoplastic material:

- heat resistance (-35°C +80°C)
- IEC/DIN 53480 KA 3 sliding currents resistance
- colour similar to RAL 7035
- sealing gasket to guarantee IP54

Filtering panel manufactured from mixed polyester-modacrylic fibres:

- high filtering capacity
- max working temperature 130°C
- easily removed
- good reutilization.

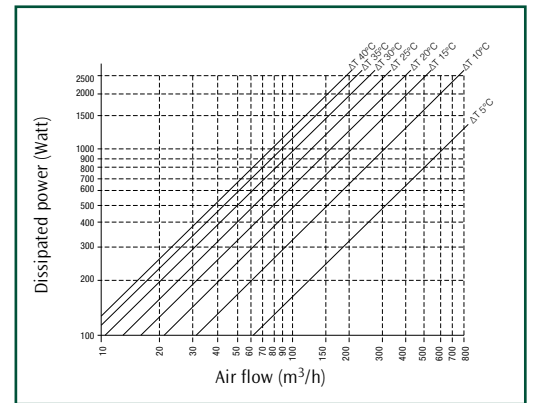
**FAN SIZING**

- The diagram shows how to choose the ventilation units.
- Select the heat to be dissipated on the Y axis, the intersection point obtained on the required ΔT line gives the necessary air flow on the X-axis.

**PROTECTION RATING**

- IP54
- NEMA 12 complying with UL508A; UL50.

\* WT315B and WT315VB available in pull version as standard; for push version, please contact the ETA sales team.



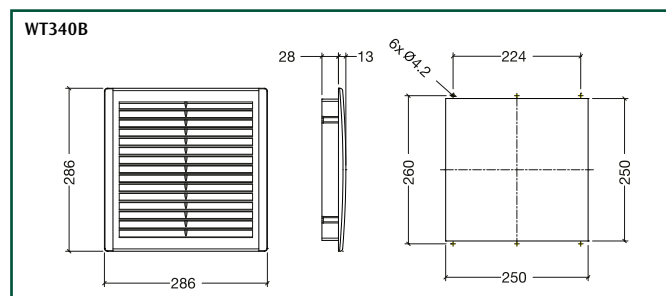
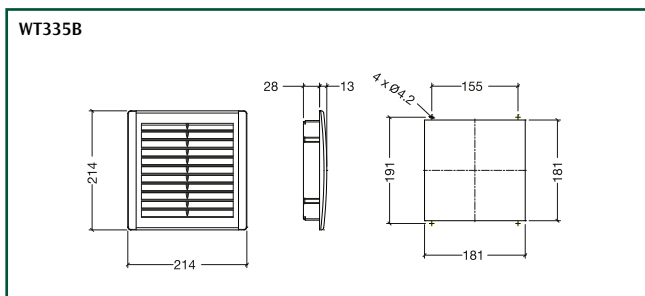
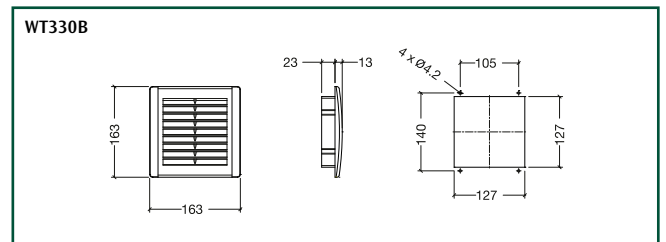
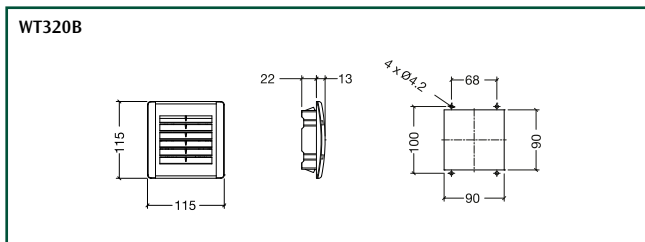
Example:

P = 500 Watt, ΔT = 20°C, V = 80 m<sup>3</sup>/h  
 A WI 205 fan with V = 97 m<sup>3</sup>/h is required

Formula  
 $V = 3.1 P / \Delta T$

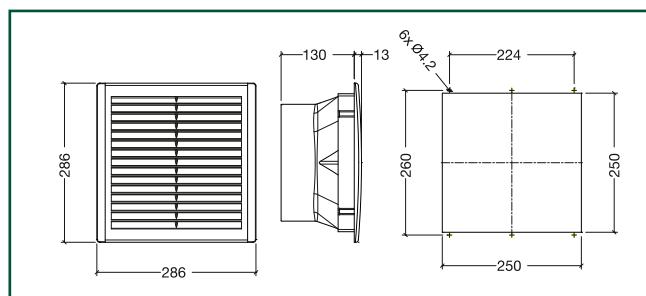
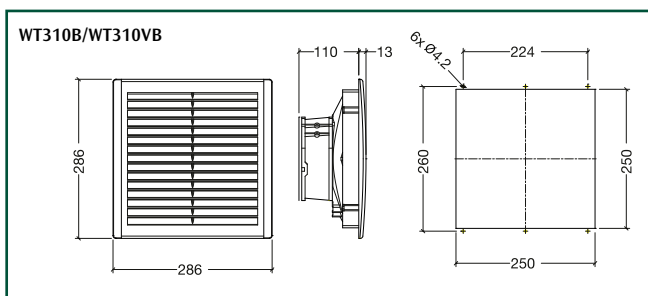
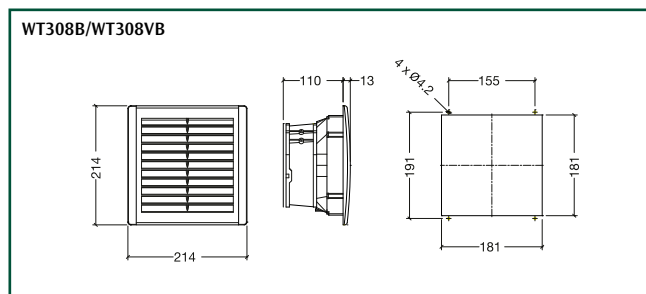
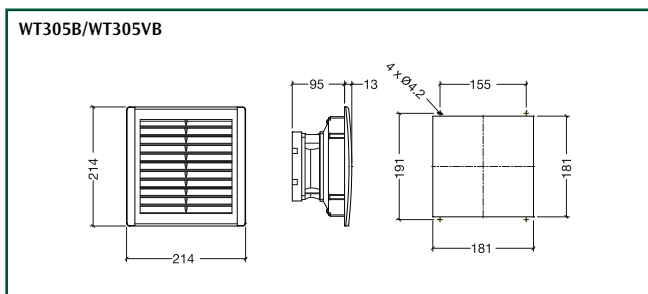
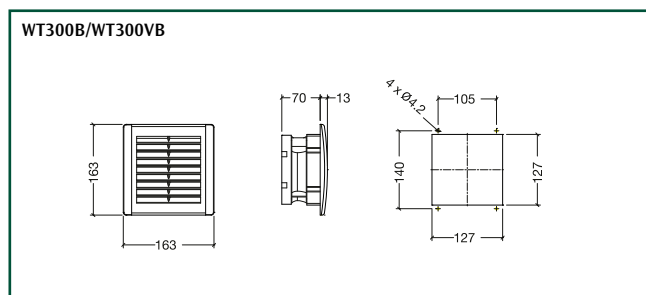
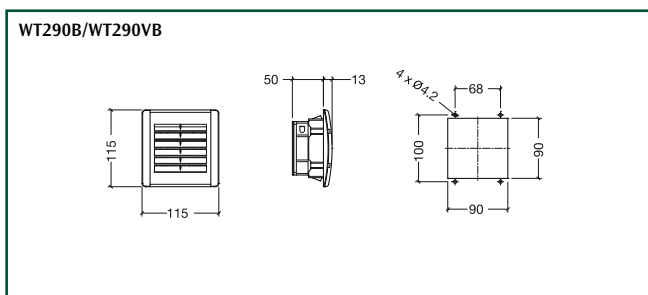
where:

- V = air flow m<sup>3</sup>/h
- P = dissipated power Watt
- ΔT = (Ti - Te)
- Te = external temperature °C
- Ti = temperature requested inside the cabinet °C



FILTER GRIDS CLICK & FIT		
WT CODE	DIMENSIONS	
WT320B	115	115
WT330B	163	163
WT335B	214	214
WT340B	286	286

REPLACEMENT FILTERING PANELS CLICK & FIT			
WT CODE	DIMENSIONS		FOR
WT329	82	83	WT320B
WT333	120	120	WT330B / WT300B
WT338	170	170	WT335B / WT305B / WT308B
WT343	235	235	WT340B / WT310B / WT315B



### FAN WITH FILTER CLICK & FIT

WT	NOMINAL VOLTAGE	POWER	AIR FLOW WITH FILTER	UNHINDERED AIR FLOW	NOISE LEVEL	CERTIFICATIONS
CODE	V/HZ	WATT	m <sup>3</sup> /H	m <sup>3</sup> /H	dB(A)	
WT290B	230/50-60	14/13,5	14	37	30	cURus
WT290VB	115/50-60	12/11	14	37	30	cURus
WT300B	230/50-60	22/21	44	65	45	cURus
WT300VB	115/50-60	22/20	50	72	45	cURus
WT305B	230/50-60	22/21	97	140	45	cURus
WT305VB	115/50-60	22/20	115	155	45	cURus
WT308B	230/50-60	36	205	240	52	cURus
WT308VB	115/50-60	36	225	256	51	cURus
WT310B	230/50-60	36	295	345	52	cURus
WT310VB	115/50-60	36	330	360	51	cURus
WT315B	230/50-60	84	485	831	65	-
WT315VB	115/50-60	84	568	831	68	-

### SELECTION TABLE

FAN	FILTER GRID
WT290B / WT290VB	WT320B
WT300B / WT300VB	WT330B
WT310B / WT310VB / WT315B / WT315VB	WT340B
WT305B / WT305VB / WT308B / WT308VB	WT335B



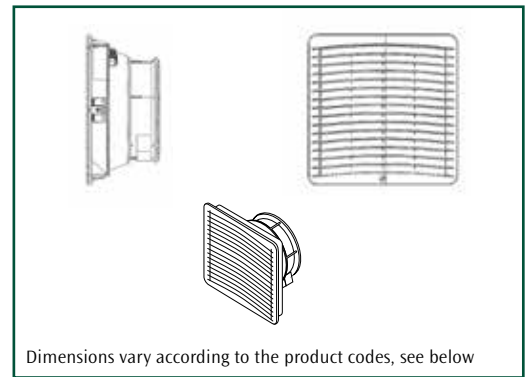
These ventilation systems ensure protection from electromagnetic interference through the combined use of a special paint and a metal net on the conductive sealing grid.

**TECHNICAL FEATURES**

- screwless
- designed in ABS BLEND (RAL 7035)
- air flow 35 – 990 m<sup>3</sup>/h
- reversible air flow, push/pull
- easy maintenance and filter substitution
- electrical connections with springs terminals
- MBTF: 40000 hours.

**PROTECTION RATING**

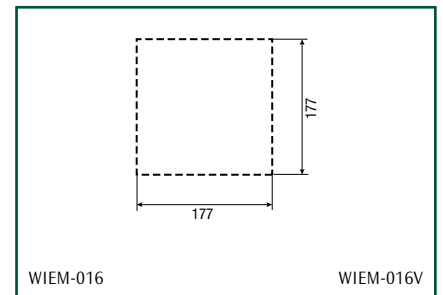
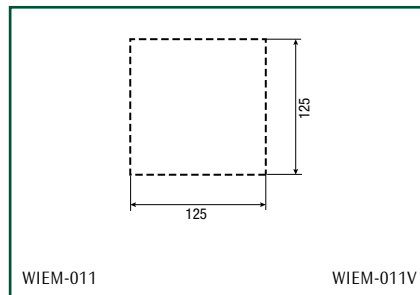
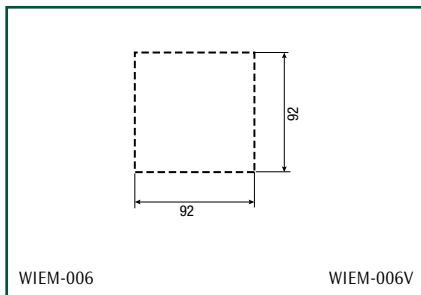
IP54 (IP55 available on request).



Dimensions vary according to the product codes, see below

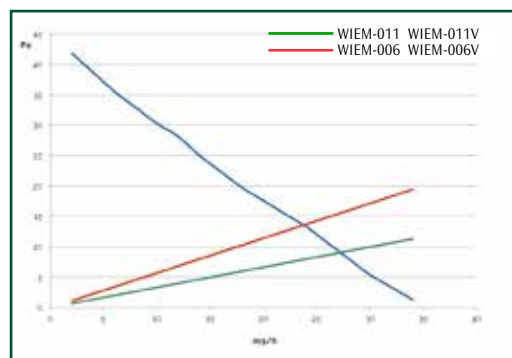
**EMC FILTERING GRIDS**

WIEM CODE	DIMENSIONS	
	WIDTH	HEIGHT
WIEM-031	119	119
WIEM-036	152	152
WIEM-041	204	204



**EMC FANS**

		WIEM-006	WIEM-006V	WIEM-011	WIEM-011V	WIEM-016	WIEM-016V
VOLTAGE/PHASE/FREQUENCY	V-ph-Hz	230-1-50/60	115/1-50/60	230-1-50/60	115/1-50/60	230-1-50/60	115/1-50/60
WIDTH/HEIGHT/DEPTH	MM	119x119x101	119x119x101	152x152x89	152x152x89	204x204x121,5	204x204x121,5
POWER CONSUMPTION L35L50-DIN 3168	W/A	13/0,07	13/0,13	22/0,14	22/0,26	22/0,14	22/0,26
PRE-FUSE T	A	0,5	1	0,5	1	0,5	1
TEMPERATURE LIMITS	°C	- 10 / + 60	- 10 / + 60	- 10 / + 60	- 10 / + 60	- 10 / + 60	- 10 / + 60
NOISE LEVEL	dB(A)	35	35	49	49	49	49
FAN FLOW	M <sup>3</sup> /h	35	35	67	67	108	108
FAN FLOW + FILTER	M <sup>3</sup> /h	24/27	24/27	50/58	50/58	75/88	75/88



## ROOF MOUNTING FAN WA250B/WA250VB

Structure, roof and fan ventilator manufactured from sheet steel.

### PAINT FINISH

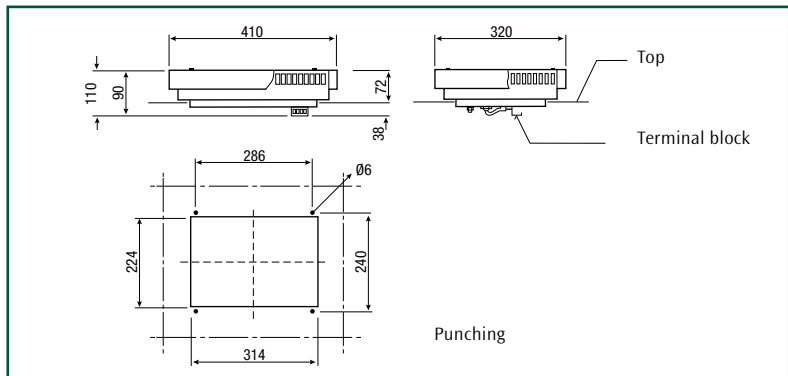
ETA standard epoxy polyester powder coating.  
Colour: RAL 7035 textured finish.

### PROTECTION RATING

IP23

### SUPPLY

- structure, roof and fan support with sealing gasket and mounting accessories
- radial fan
- finger guard
- capacitor
- terminal block.



## ROOF MOUNTING FAN

WA CODE	NOMINAL V/Hz	POWER W	AIR FLOW m <sup>3</sup> /H	MAX HEAD Pa	CONDENSER	NOISE dB(A)
WA250B	220/50-60	75	550	320	2	62
WA250VB	110/50-60	75	550	320	2	62



## ROOF MOUNTING FAN WA255B

Structure and roof manufactured from sheet steel.

### PAINT FINISH

ETA standard epoxy polyester powder coating.  
Colour: RAL 7035 textured finish.

### PROTECTION RATING

IP23.

### SUPPLY

- structure and roof with sealing gasket
- mounting accessories.



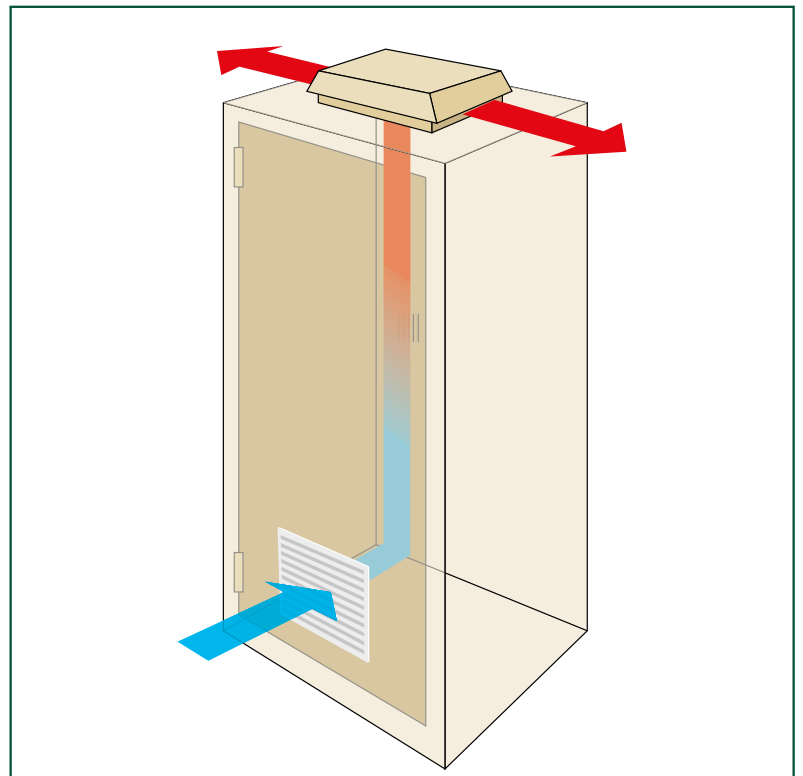
## TECHNICAL FEATURES

- Available in 4 sizes
- Air-flow: 575-2365m<sup>3</sup>/h
- Protection rating IP44 (IP54 on request)
- Radial fans with high external static pressure
- Available without fans for applications with natural ventilation

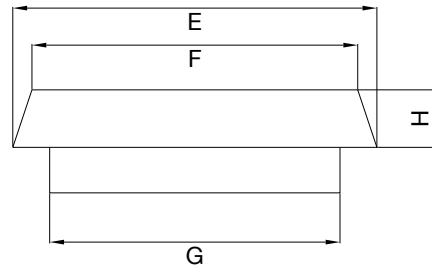
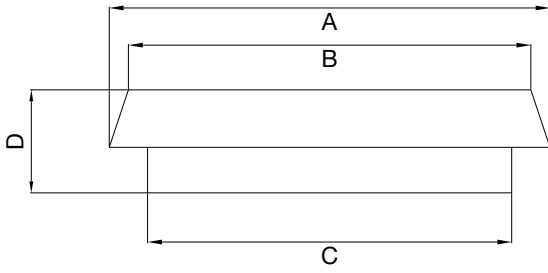
EXHAUST FAN			
WT CODE	DIMENSIONS		
	WIDTH	HEIGHT	DEPTH
WT220CW	460	108	380
WT225CW	540	160	400
WT230CW	600	300	550

SELECTION TABLE	
EXHAUST FAN	FILTER GRID
WT200CW	WT340B
WT200VCW	WT340B
WT205CW	2 X WT340B
WT205VCW	2 X WT340B
WT210CW	3 X WT340B
WT215CW	8 X WT340B

Note: Filter grids details on page. 316



EXHAUST FAN							
		WT200CW	WT200VCW	WT205CW	WT205VCW	WT210CW	WT215CW
VOLTAGE/PHASE/FREQUENCY	V-ph-Hz	230-1-50/60	115-1-50/60	230-1-50/60	115-1-50/60	230-1-50/60	230-1-50/60
WIDTH/HEIGHT/DEPTH	MM	460x108x380	460x108x380	460x108x380	460x108x380	540x160x400	600x300x550
FAN FLOW, FREE AIR	M <sup>3</sup> /h	575	575	860	860	1450	2365
ABSORBED CURRENT	A	0,34	0,8	0,4	1	0,95	1,1
PROTECTIVE FUSES	A	2	4	4	4	4	4
ABSORBED POWER	W	75	90	85	115	215	170
TEMPERATURE LIMITS	°C	-20/+55	-20/+55	-20/+55	-20/+55	-20/+55	-20/+55
NOISE LEVEL	dB(A)	80	80	80	80	82	82
WEIGHT	kg	5,8	5,8	8	8	12	20
WEIGHT/VOLUME SHIPMENT	kg/m <sup>3</sup>	7/0,03	7/0,03	9/0,03	9/0,03	13/0,047	21/0,25

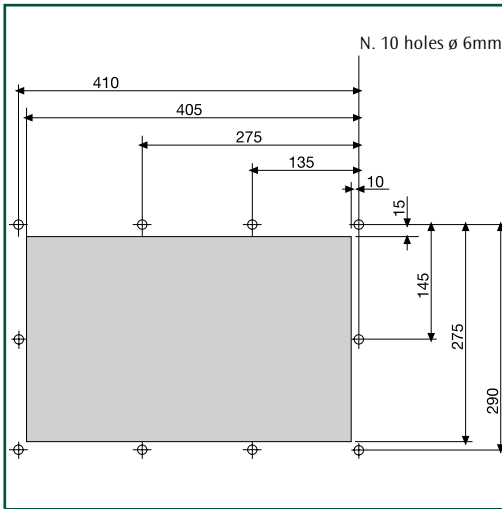
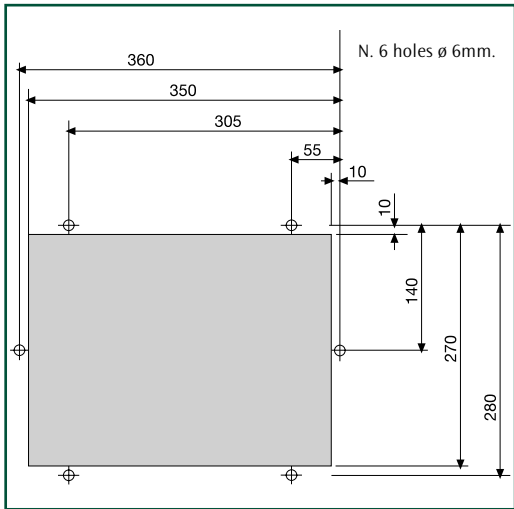


**WT200CW - WT200VCW - WT220CW**

A	B	C	D	E	F	G	H
460	420	380	108	380	340	300	72

**WT210CW - WT225CW**

A	B	C	D	E	F	G	H
540	500	440	160	400	360	320	100

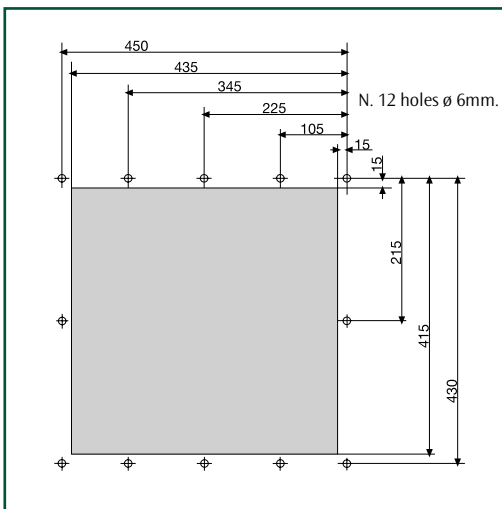
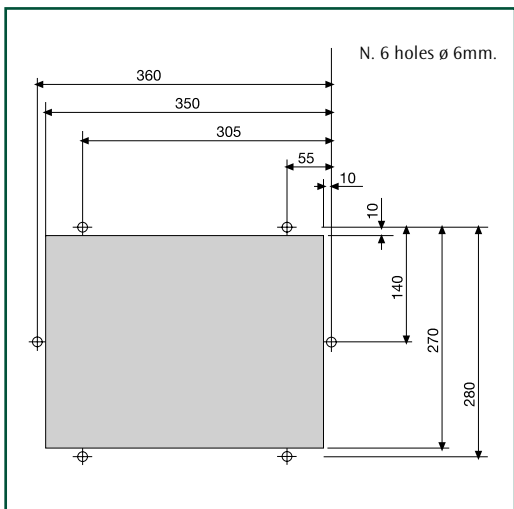


**WT205CW - WT205VCW**

A	B	C	D	E	F	G	H
460	420	380	108	380	340	300	72

**WT215CW - WT230CW**

A	B	C	D	E	F	G	H
600	540	480	300	550	490	470	190





In order to choose the most suitable heating element, please refer to the Technical section on page 340.



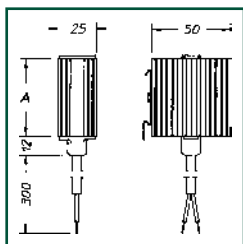
**HEATING ELEMENT WI271 WI273 WI274**



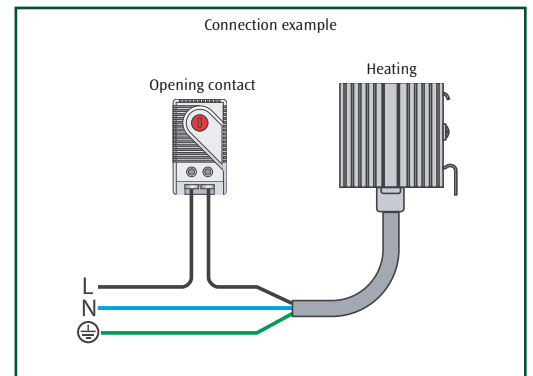
**HEATING ELEMENT**  
PTC (semiconductor).

**PROTECTION RATING**  
IP44.

**PROTECTION CLASS**  
I (protection wire to earth).



HEATER			
WI CODE	POWER WATT	TENSION V AC/DC	DIM. A
WI271	10	120/240	52
WI273	20	120/240	60
WI274	30	120/240	70



**HEATING ELEMENT WI250 WI255 WI260 WI265 WI270**

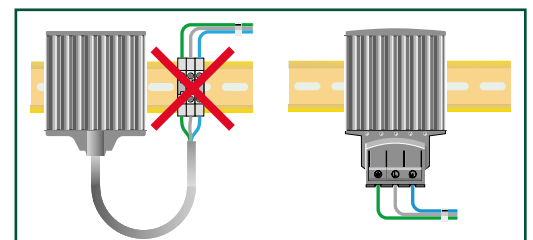
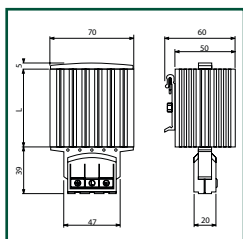


**HEATING ELEMENT**  
PTC (semiconductor).

**PROTECTION RATING**  
IP20.

**PROTECTION CLASS**  
I (protection wire to earth).

**Note:** supply does not include the cable.



HEATER			
WI CODE	POWER WATT	TENSION V AC/DC	DIM. A
WI250	15	120/240	65
WI255	30	120/240	65
WI260	45	120/240	65
WI265	75	120/240	140
WI270	150	120/240	220

**HEATING ELEMENT WI277 WI279**



**TECHNICAL FEATURES**

Air flow: 45 m<sup>3</sup>/h (50 Hz) and/or 54 m<sup>3</sup>/h (60 Hz).  
 Surface temperature: Max 75°C.  
 Time capacity: 50.000 hours to 25°C.

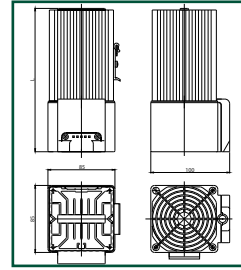
**PROTECTION RATING**

IP20.

**PROTECTION CLASS**

I (protection wire to earth).

HEATER			
WI CODE	POWER WATT	TENSION V AC	DIM. A
WI277	250	230/50-60	182
WI279	400	230/50-60	222



**HEATER WITH FAN AND THERMOSTAT WIRV**



**HEATER**

PTC (semiconductor).

**TEMPERATURE ADJUSTMENT**

0-60°.

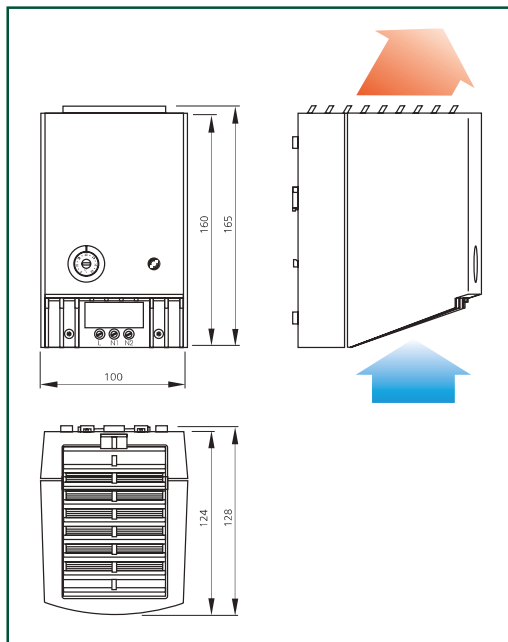
**PROTECTION RATING**

IP20.

**PROTECTION CLASS**

I (double insulation).

HEATER			
WIRV CODE	POWER WATT	TENSION V AC	AIR FLOW m <sup>3</sup> /h
WIRV-010	475 W (50 Hz) - 550 W (60 Hz)	230 V AC 50/60 Hz	35
WIRV-010V	400 W (50 Hz) - 550 W (60 Hz)	110 V AC 50/60 Hz	35
WIRV-020	550 W (50 Hz) - 550 W (60 Hz)	230 V AC 50/60 Hz	45
WIRV-020V	510 W (50 Hz) - 550 W (60 Hz)	110 V AC 50/60 Hz	45







**TEMPERATURE REGULATOR WI280**

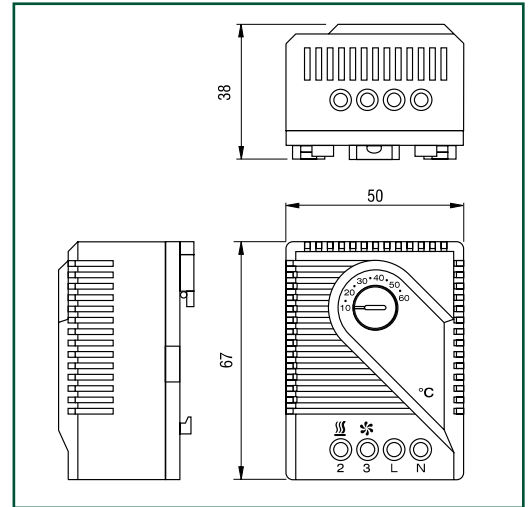
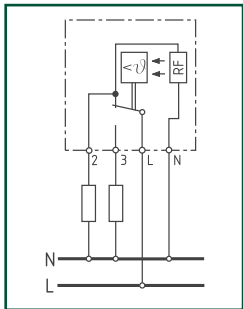


**TECHNICAL FEATURES**

Voltage: 230 V AC  
 Adjustment range: +5 +60°C  
 Contact capacity:  
 • close 5A/250 V AC  
 • open 10A/250 V AC  
 Connections 2,5 mm<sup>2</sup> 4 poles  
 Fixing: clip fixing on 35 mm DIN rails  
 Housing: UL 94 V0 thermoplastic material  
 Dimensions: 67 x 50 x 38 mm.

**PROTECTION RATING**

IP20.



**ELECTRONIC TEMPERATURE/HUMIDITY CONTROLLER WI290**



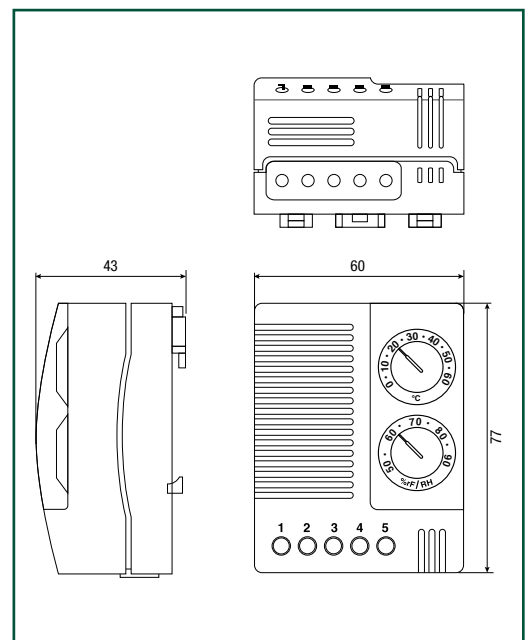
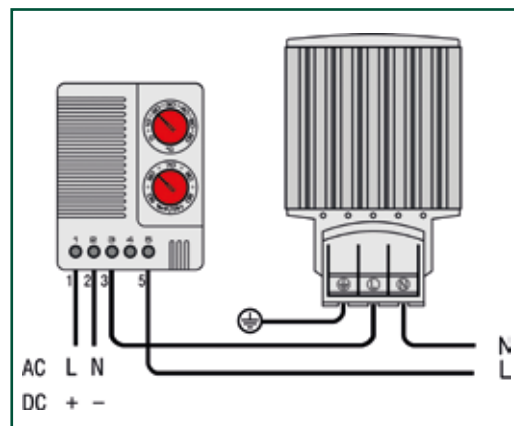
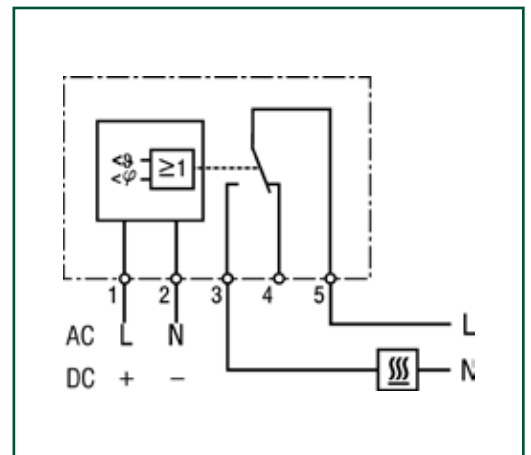
**TECHNICAL FEATURES**

Voltage: 100 – 240 V AC  
 Temperature regulation: 0° ÷ 60°C  
 Intervention sensitivity: + 2°C  
 Respective humidity regulation: 50% ÷ 90%  
 Response time: about 5 sec  
 Contact capacity: Max: 240V 10 A  
 ON indicator: LED  
 Fixing: clip fixing on 35 mm DIN rail  
 Dimensions: 60 x 77 x 43 mm  
 Housing: UL 94 V0 thermoplastic material.

**PROTECTION RATING**

IP20

\* Available upon request: 120V version



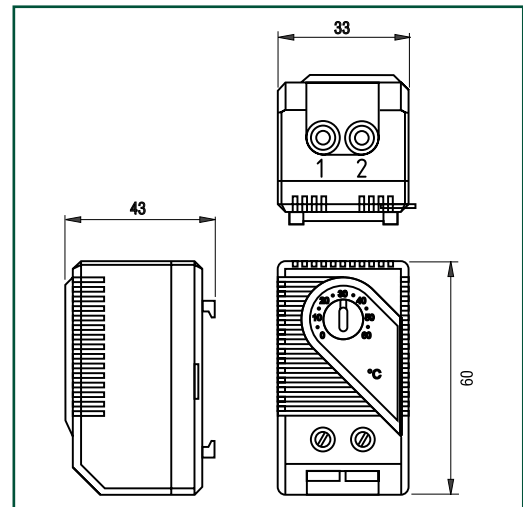


**TECHNICAL FEATURES**

Adjustment range: 0° ÷ 60°C  
 Sensitive element: Bimetallic  
 Intervention sensitivity: + 2°C  
 Maximum opening capacity: 250 V AC, 10 (2) A / 120 V AC, 15 A  
 Working life: > 100.000 cycles  
 Connections: 2,5 mm<sup>2</sup>, 2 poles  
 Fixing: clip fixing on 35 mm DIN rails  
 Dimensions: 60 x 33 x 43 mm.

**PROTECTION RATING**

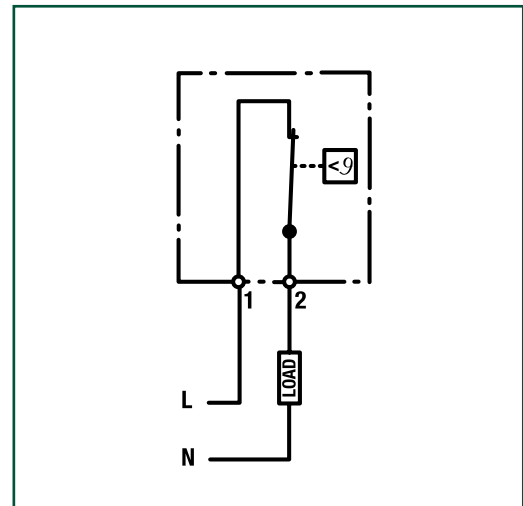
IP20.



**THERMOSTAT WITH OPENING CONTACT NC W1282**

When the temperature increases there's the contact opening. To be used to control air temperature inside cabinets:

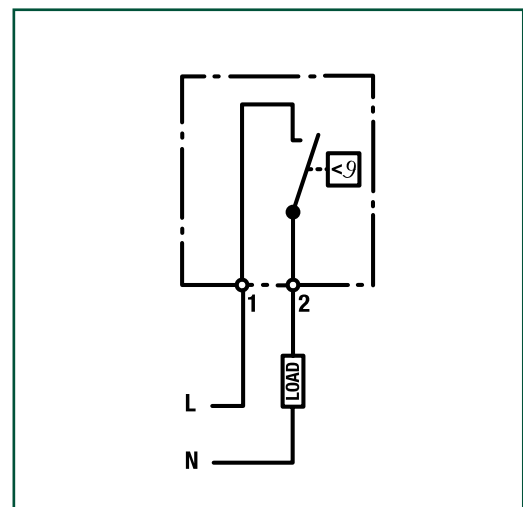
- heating
- ventilation
- signal transmissions.



**THERMOSTAT WITH CLOSING CONTACT NO W1284**

When the temperature increases there's the contact closing. To be used to control air temperature inside cabinets:

- heating
- ventilation
- signal transmissions.





### THERMOSTAT WI286

Two thermostats in one casing:

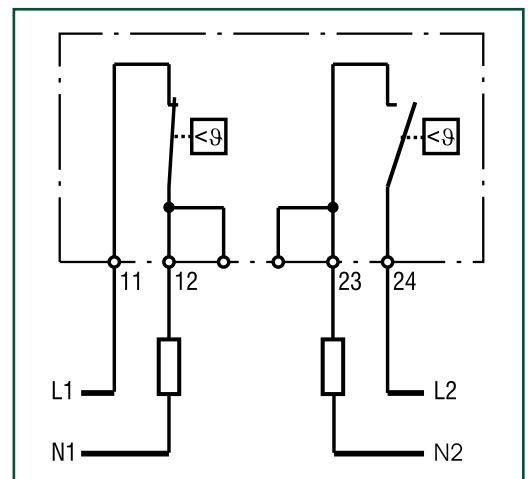
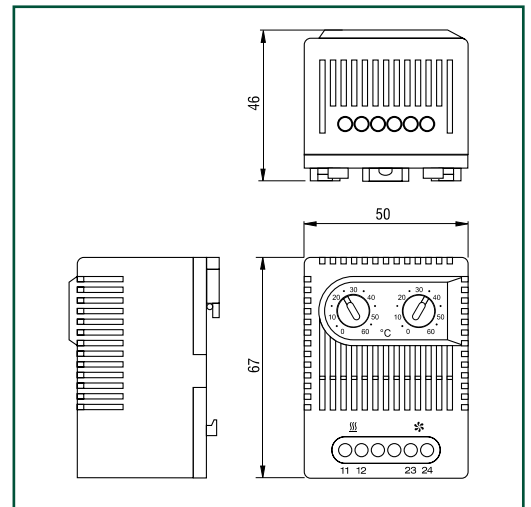
- thermostat (contact breaker, normally closed) for regulation heaters
- thermostat (contact breaker, normally open) for regulation filter fans and heat exchangers or switching signal devices when temperature limit has been exceeded.

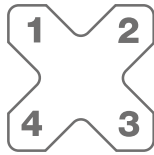
#### TECHNICAL FEATURES

Adjustment range (NC – NO):  $0^{\circ} \div 60^{\circ}\text{C}$   
 Maximum opening capacity: 250 V AC, 10 (2) A / 120 V AC, 10 (2) A – DC 30 W  
 Working life: > 100.000 cycles  
 Connections: 2,5 mm<sup>2</sup>, 4 poles  
 Fixing: clip fixing on 35 mm DIN rails  
 Housing: UL 94 VO thermoplastic material  
 Dimensions: 50 x 67 x 46 mm.

#### PROTECTION RATING

IP20.





**MULTIPLIESTHEEXPERIENCE**

**TECHNICAL SECTION**

# PRACTICAL GUIDANCE ON THE GENERAL SAFETY REQUIREMENTS FOR ENCLOSURES AND SWITCHGEAR AND CONTROLGEAR ASSEMBLIES

In an electrical panel (assembly) the following parts can be distinguished: an ENCLOSURE (support and protection of components housed inside it) and ELECTRICAL EQUIPMENT (devices, connections and terminals).

- **Primary distribution boards (Power Center – PC):** generally installed in the substation downstream of the MV/LV transformers or generators. Primary distribution boards have a high design current and short circuit withstand capability. The Power Center board represents the first level of LV distribution and includes one or more input units, bar connectors and is generally divided into functional units.
- **Secondary distribution boards:** the design current and short circuit withstand capability are lower than those of Power Centers. They represent the second level of energy distribution and include a wide category of assemblies.
- **Motor control center – MCC:** designed for the centralised control and protection of motors, they include the related switching and protection equipment and the auxiliary control and signalling equipment. Unlike the Power Center, each compartment does not contain just one switch/device, but all of the protection, control and signalling components intended for the control of each motor.
- **Control, measurement and protection boards:** they mainly contain equipment designed for the command, control and measurement of industrial plants and processes.
- **On board assemblies:** similar to those above from a functional point of view, these allow the machine to interface with the power supply source and with the operator.

All of these components must be designed and assembled to meet the safety requirements and be suitable for the specific physical ENVIRONMENT and OPERATING conditions of its intended use.

The assemblies are constructed in according to best practices if they comply with the requirements described in the product standards:

- EN61439 part 1 and part 2
- EN60204 part 1
- EN62208

harmonised, i.e. recognised, by European Directives:








- LV Dir.: 2006/95/EC
- MV Boards Dir.: 2006/95/EC
- EMC Dir.: 2004/108/EC
- ATEX Dir.: 94/9/EC .

The operating conditions are specified in terms of:








- 1 Corrosive agents, atmospheric agents (corrosion resistance)
- 2 Solar radiation (resistance to UV rays)
- 3 Strength of materials (lifting, IK mechanical impact, short circuit)
- 4 IP protection rating
- 5 Electromagnetic sources (EMC compatibility)
- 6 Over-temperatures and condensation
- 7 Presence of gas, dust and mists that can create potentially explosive atmospheres (ATEX).

SYSTEM CERTIFICATIONS				CONFORMITY OF MATERIAL
<b>IMQ</b> DIRECTIVE 2014/34/UE				<b>RoHS COMPLIANT</b>
UE	Italy/World	Italy	Italy/World	
IMQ	IMQ	Istituto italiano di saldatura	IMQ	-
EN ISO IEC 80079-34	UNI EN ISO9001	UNI EN ISO15614-1 cert. N. LB0017/10	OHSAS 18001	2011/65/EU



INDUSTRIAL AUTOMATION						PRODUCT CERTIFICATIONS						
PAGE	PRODUCTS		IP / IK	NEMA	ZONE							
14	Suite Cabinets	E NUX	IP55 IK10	NEMA 1, 12 [ NEMA 4, 4X on request ]	zone 1,2,21,22 II2GDc tx	●		●	●	●	●	●
132	PC Cabinets	EUPC	IP55 IK10	-	-					●		
86	Monobloc Cabinets	E MOX	IP66 (single door) IP55 IK10	NEMA 1, 12 [ NEMA 4, 4X on request ]	zone 1,2,21,22 II3GDc tx	●		●	●	●	●	●
98	Compact Solutions	E COMP	IP55 IK10	NEMA 1, 12 [ NEMA 4, 4X on request ]	zone 1,2,21,22 II3GDc tx	●		●	●	●	●	●
162	Wall-mounting boxes	ST	IP66 IK10	NEMA 1, 12, 4 *	zone 1,2,21,22 II2GDc tx	●		●	●	●	●	●
178	Terminal boxes	SDV SDF	IP66 IK10	NEMA 1, 12, 4	zone 1,2,21,22 II2GDc tx	●		●	●	●	●	●
156	Rack Boxes	CR	IP55 IK10	-	-					●		
196	Monobloc Control Desks	ZBA SBA	IP55 IK10	NEMA 1, 12	-	●				●		
192	Modular Control Desks	AE ME	IP55 IK10	NEMA 1, 12	-	●				●		
267	Operator Interface Housing	BIONIQ BST	-	NEMA 1	-	●				●		
316	Exhaust fan	WT	IP54	NEMA 1, 3R, 12 with cover	-		●			●		
							USA / Canada	Germany	Italy	UE	UE / World	EurAsian Communi- ty
							UL International	TUV Rheinland	RINA	CE	EX	EAC
							UL508A UL 50 C22.2 n.14-95 e CAN/ CSAC22.2 n.94-M91	IEN EN62208 DIN40050 (IP69K)	Naval industry	LV Directive EN62208	Atex Directive	TR CU

\* NEMA 1, 12 for doble door, plexi door

HARSH ENVIRONMENTS					PRODUCT CERTIFICATIONS							
PAGE	PRODUCTS	IP / UK	NEMA	ZONE								
206	Suite Cabinets	E NUX INOX	IP55 IK10	NEMA 1, 12 [ NEMA 4, 4X on request ]	zone 1,2,21,22 II2GDc tx	●		●	●	●	●	●
214	Monobloc Cabinets	E MOX INOX	IP66 (single door) IP55 IK10	NEMA 1, 12 [ NEMA 4, 4X on request ]	zone 1,2,21,22 II3GDc tx	●		●	●	●	●	●
216	Compact enclosures	E COMP INOX	IP55 IK10	NEMA 1, 12 [ NEMA 4, 4X on request ]	zone 1,2,21,22 II3GDc tx	●		●	●	●	●	●
220	Wall-mounting boxes	E COR INOX	IP66 IK10	NEMA 1, 12, 4, 4X *	zone 1,2,21,22 II2GDc tx	●		●	●	●	●	●
222	Wall-mounting boxes	ST-EE E COR-EE INOX	IP66 IK10	NEMA 1, 12, 4, 4X	zone 1,2,21,22 II2GDc tb	●		●	●	●	●	●
230	Boxes With Sloped Roof	E COR-TX INOX	IP66 IK10	NEMA 1, 12, 4X	-	●		●	●	●		●
228	Terminal boxes	E GRAN INOX	IP66 IP69K IK10	NEMA 1, 12, 4, 4X	zone 1,2,21,22 II2GDc tx	●		●	●	●	●	●
229	Pushbutton Boxes	SHX	IP66 IP69K IK10	NEMA 1, 12, 4X	-	●		●	●	●		
231	Monobloc Control Desks	ZBX SBX	IP55 IK10	NEMA 1, 12	-	●				●		
232	Modular Control Desks	AEX MEX	IP55 IK10	NEMA 1, 12	-	●				●		
242	Solution For Outdoor Applications	E VIS	IP56 (single door) IP55 IK10	-	-			●		●		
254	EMC Solutions	E NUX-E STE SDVE	-	NEMA 1	-	●				●		
						USA / Canada	Germany	Italy	UE	UE / World	EurAsian Community	
						UL International	TUV Rheinland	RINA	CE	EX	EAC	
						UL508A UL 50 C22.2 n.14-95 e CAN/CSAC22.2 n.94-M91	IEN EN62208 DIN40050 (IP69K)	Naval industry	LV Directive EN62208	Atex Directive	TR CU	

\* NEMA 1, 12 for doble door, plexi door

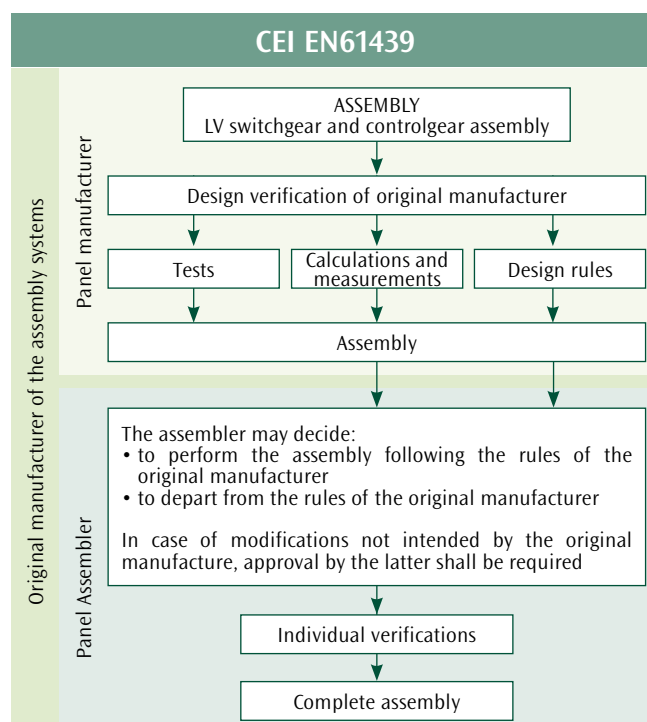


## FOCUS ON TYPE TEST ACCORDING TO EN61439-1

N°	PAGE	CHARACTERISTICS TO BE VERIFIED	CLAUSES OR SUBCLAUSES	VERIFICATION OPTIONS		
				VERIFICATION BY TESTING	VERIFICATION BY CALCULATION	VERIFICATION BY DESIGN RULES
	350	Strength of materials and parts of the ASSEMBL	10.2 ■			
	339	Resistance to corrosion	10.2.2 ■	YES	NO	NO
	337	Properties of insulating materials	10.2.3 ■			
	-	Thermal stability	10.2.3.1 ■	YES	NO	NO
	-	Resistance of insulating material to normal heat	10.2.3.2 ■	YES	NO	NO
1	-	Resistance of insulating material to abnormal heat and fire due to internal electric effects	10.2.3.3 ■	YES	NO	NO
	339	Resistance to ultra-violet (UV) radiation	10.2.4 ■	YES	NO	NO
	335/351	Lifting	10.2.5 ■	YES	NO	NO
	337	Mechanical impact	10.2.6 ■	YES	NO	NO
	334	Marking	10.2.7 ■	YES	NO	NO
2	336	Degree of protection of enclosures	10.3 ■	YES	NO	YES
3	-	Clearance and creepage distances	10.4	YES	YES	YES
	-	Protection against electric shock and integrity of protection circuits	10.5	YES		
4	-	Effective continuity between the exposed conductive parts of the assembly and the protective circuit	10.5.2	YES	NO	NO
	-	Effectiveness of the assembly for external faults	10.5.3		YES	YES
5	-	Installation of switching devices and components	10.6	NO	NO	YES
6	-	Internal electrical circuits and connections	10.7	NO	NO	YES
7	-	Terminals for external conductors	10.8	NO	NO	YES
	-	Dielectric properties	10.9			
8	-	Power frequency withstand voltage	10.9.2	YES	NO	NO
	-	Impulse withstand voltage	10.9.3	YES	NO	YES
9	340	Temperature-rise limits	10.10 ■	YES	YES	YES
10	338	Short-circuit withstand	10.11 ■	YES	YES	YES
11	352	Electromagnetic compatibility (EMC)	10.12 ■	YES	NO	YES
12		Mechanical operation	10.13	YES	NO	NO

The verifications listed in point 1 do not need to be repeated by the assembly manufacturer if the enclosure has already been verified by the manufacturer in accordance with EN62208 (a benefit - in terms of costs and time - to take into consideration when selecting the enclosure manufacturer).

■ Verified by ETA.



## FOCUS ON TYPE TEST REQUIREMENTS OF EN62208

TESTS	CLAUSE	REQUIREMENT APPLIED BY ETA	SEE ON PAGE
Marking	9.3	•	334
Static loads	9.4	•	335 - 351
Lifting	9.5	•	335
Axial loads of metal inserts	9.6	•	
Degree of protection against mechanical impacts (IK code)	9.7	•	337
Degree of protection (IP code)	9.8	•	336
Thermal stability	9.9.1	•	
Resistance to normal heat	9.9.2	•	
Resistance to abnormal heat and to fire	9.9.3	•	
Dielectric strength	9.10	•	338
Continuity of the protective circuit	9.11	•	338
Resistance to ultra-violet (UV) radiation	9.12	•	339
Resistance to corrosion	9.13	•	339
Thermal power dissipation capability	9.13	•	

## INSTALLATION ENVIRONMENTS

As required by the EN 62208 standard, ETA specifies that the enclosures are designed to be installed indoors, under the normal conditions indicated below. For outdoor applications, the installer must specify whether the conditions are normal or special. If this information is not provided, the normal service conditions for indoor installations will always be assumed.

The enclosures compliant with the EN 62208 standard are intended to be utilized under the following conditions.

INSTALLATION UNDER NORMAL CONDITIONS			
		INDOOR	OUTDOOR
TEMPERATURE	Upper ambient air temperature limit	+40°	+40°
	Lower ambient air temperature limit	-5°	-5°
	Average temperature value in relation to a 24H period	+35°	+35°
HUMIDITY	Relative humidity (moderate condensation may occasionally form due to temperature changes)	The humidity level must not exceed 50% at a maximum temperature of +40°C. A higher relative humidity level is permitted at lower temperatures (e.g. 90% at +20°C)	It may temporarily reach 100% at a maximum temperature of +25°C

## INSTALLATION UNDER SPECIAL CONDITIONS

If one of the following special conditions is present, the special requirements to be applied must be agreed between the user and the manufacturer:

- Special ambient air temperature and humidity
- Presence of corrosive substances
- Presence of specific dusts (coal, cement, etc.)
- Unusual mechanical stresses (seismic, etc.)
- Presence of flora, fauna, or mould
- Ionizing influences
- Electromagnetic interference
- Vibrations
- UV radiation, other than solar radiation.

## TRANSPORT AND STORAGE CONDITIONS

A special agreement must be made between the enclosure's manufacturer and the user if the transport, storage and installation conditions (e.g. the temperature and humidity conditions) deviate from those indicated under the "Normal conditions".

## CE MARKING (FOR THE EUROPEAN MARKET)

The manufacturer (or the party bearing responsibility for the wired assembly) is required to affix a clearly visible plate during installation and operation of the assembly. The enclosure, in turn, must be identified by a plate or marking that permits the manufacturer of the assembly to obtain information on the type of enclosure and the manufacturer. The manufacturer's plate may be inserted inside it and should not be confused with the plate for the wired assembly. ETA products are equipped with internal marking indicating the trademark, model and the logos of the third party certification bodies. CE Marking, compulsory for the EU market, is the "visual sign of conformity of a product to the requirements of applicable directives". The other certifications represent voluntary and responsible compliance to the minimum requirements of product standards.

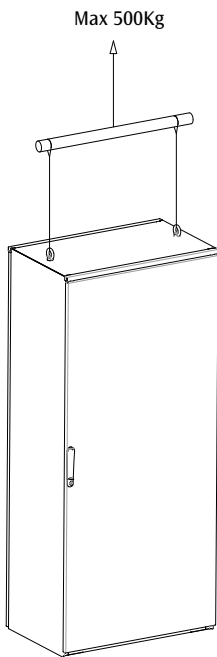


## LIFTING CRITERIA

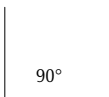
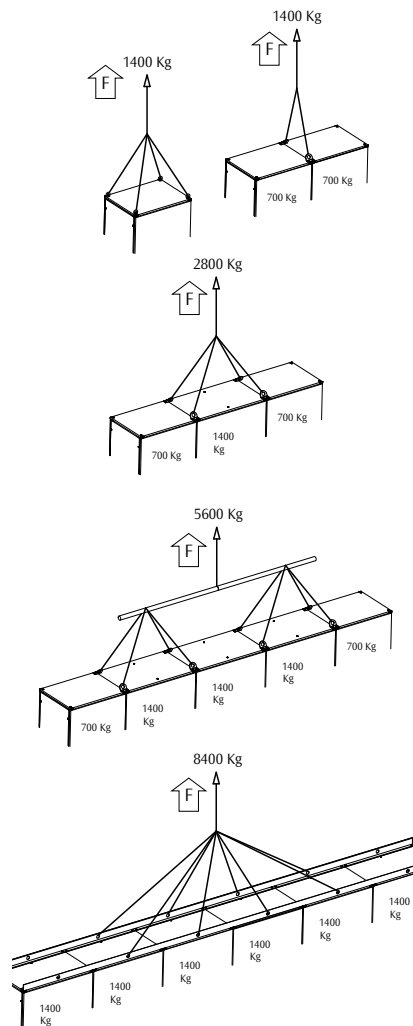
The test was carried out according to EN62208 for static and dynamic lifting in order to guarantee the description below. If the lifting is from above, using ropes in good condition and of the proper size for lifting. The units must be hooked with lifting eyebolts, with brackets or, in case of batteries, with lifting crosspieces as instructed below. In case of lifting with a forklift or pallet truck, take care to lift with the forks properly spaced.



### E MOX - E COMP - E VIS



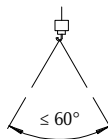
### E NUX



The angle at the rope junction must be 90°



The loads inside the cabinet are intended as equally distributed throughout the volume



The angle at the rope junction must not exceed 60°



The loads inside the cabinet are intended as equally distributed throughout the volume

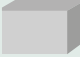
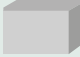



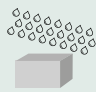

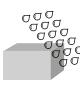

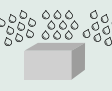




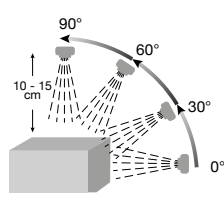
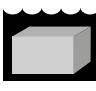

## DEGREE OF PROTECTION IP (EN60529 / DIN 40050-9)

Protection against direct contact with live parts of the assembly must be guaranteed. The enclosure is designed to ensure protection of equipment against specific external influences and protection in all directions from direct contact, with a protection rating of at least IP2X. Protection against indirect contacts (i.e. protection against faults) is achieved using insulation. The enclosure manufacturer guarantees the protection rating of its product as sold, i.e. empty. The assembly manufacturer is responsible for the definition of the protection rating of the complete and finished assembly (through testing or through design verification analysis). Where an empty enclosure in accordance with EN62208 is used, and no external modification has been made that may result in deterioration of the protection rating, no further testing is required.

**Note:** the openings made for cable entries and/or for installing the devices, may lower the protection rating: therefore, it is important that the holes are made according to best practices and that seals are used to ensure, by the manufacturer, that the initial conditions are maintained, where possible. If this is not possible, the protection rating of the enclosure must be downgraded (it cannot be less than IP2X).

It is important to keep in mind that the higher the protection rating, the greater the reduction in value of natural power dissipation from the enclosure (see paragraph).

The degree of protection IP is essentially defined by two characteristic numerals (EN60529):

IP 1ST DIGIT = SOLID		IP 2ND DIGIT = LIQUID/GAS	
0	 No protection	0	 No protection
1	 Protection against solid bodies above 50 mm (E.G. Involuntary hand contact)	1	 Protection against vertically falling water drops
2	 Protection against solid bodies above 12 mm (e.G. Finger)	2	 Protection against water drops falling with up to 15° inclination
3	 Protection against solid bodies above 2.5 mm (tools, wires)	3	 Protection against water splashes from all directions
4	 Protection against solid bodies above 1 mm (thin tools, thin threads)	4	 Protection against water splashes from all directions
5	 Protection against dust (no noxious deposits)	5	 Protection against jets of water from all directions
6	 Total tightness to dust	6	 Protection against water splashes similar to sea waves
 <p>IP69K (according to DIN 40050-9) Rating for high-pressure, high-temperature wash-down applications. A spray nozzle fed with 80 °C water at 80–100 bar and a flow rate of 14–16 L/min.</p>		7	 Protection against immersion
		8	 Protection against submersion

## IP SEALS

Generally, the enclosure has a seal applied around the perimeter of all closing panels (doors, side panels, rear panels, covers).

## POLYURETHANE SEAL

HF1 fire resistance (as per standard UL94).

Optimal environmental conditions for use: temperature:  $-40^{\circ}\text{C} < T < 100^{\circ}\text{C}$ .

## EMC GASKETS

Made of 3 parts: an EPDM core (ensuring the protection rating), a metal fabric coating (that ensures dielectric continuity between the structure and panels) and non-woven double-sided tape, very tough and applied on one side (ensuring adherence and resistance)

Optimal environmental conditions for use: temperature:  $-40^{\circ}\text{C} < T < 100^{\circ}\text{C}$ .

## SILICONE GASKET

Used on the new ranges of stainless steel ETA products, it is resistant to most detergents, hot water jets and is easy to clean.

Optimal environmental conditions for use: temperature:  $-50^{\circ}\text{C} < T < 200^{\circ}\text{C}$ .

## IK RATING (ACCORDING TO EN62262)

Indicates the level of protection provided by the enclosure to the equipment against harmful external mechanical impacts (including vandalism). The test is carried out by applying impact energy, as outlined below: after the test, there must be no failure or deformation likely to compromise the IP rating.

All ETA products are marked with the maximum rating IK10 = maximum resistance corresponding to the impact of a 5 kg object thrown from a distance of 40 cm.

IK CODE	IK00	IK01	IK02	IK03	IK04	IK05	IK06	IK07	IK08	IK09	IK10
Impact energy Joule	0,00	0,14	0,20	0,35	0,50	0,70	1,00	2,00	5,00	10,00	20,00

## NEMA (TYPE)

For Canada and America, the protection degree is defined as NEMA or TYPE and it also indicates the type of use (indoor and outdoor), not only protection from solids and liquids.

NEMA TYPE		NEMA National Electric Manufacturers Association (NEMA 250) Ed Eemac Electrical and Electronic Manufacturers Association Of Canada UI Underwriters Laboratories, Inc.
1	Indoor use	Protection of contact with internal equipment.
4	Indoor and outdoor use	Protection against rain, snow and wind-blown dust, sprayed and direct water, and damage due to external icing
12	Indoor use	Protection against dust, falling dirt and non-corrosive dripping fluids.
3R	Outdoor use	Protection against heavy rain and light snow. It prevents ice formation on the inside.
4X	Indoor and outdoor use	Protection against corrosion, wind-blown dust, rain, water sprays and water jets from hoses. It prevents ice formation on the inside.



## EARTH CONNECTION (CONTINUITY OF THE PROTECTIVE CIRCUIT)

The electrical panel (assembly), consisting of an enclosure with equipment and connection conductors, to provide protection against indirect contacts, must have the exposed conductive parts earthed by means of a protective circuit.

A suitable sized conductor is required for earthing any accessible parts of the enclosure where the devices are installed or for any part that could become live under fault conditions (e.g. insulation fault of a cable etc.). However, if no equipment is installed, the contact made with screws and metal hinges between the structure and assembly is sufficient for achieving equipotential bonding. All external metal parts that are not likely to come into contact with internal live parts, or that cannot be touched, do not need to be earthed.

The ETA product range includes earthing materials (screws, nuts and washers) and the instructions for correct installation. The E NUX cabinet fully meets all earthing requirements: its structure can be used as a conductor, as long as the screws that comprise the load bearing structure are properly tightened using the toothed lock washer, that will cut into the paint and therefore create electrical continuity between the welded joint on the upright and the welded portion of the crosspieces. The assembly manufacturer can connect the panels to the structure electrically, then the structure to the main protective bonding circuit, and the latter to the earthing system. In this way all of the exposed conductive part of the enclosure, identified as such by the assembly manufacturer, will be earthed and equipotential to each other. The measurement methods used are those specified in clause 9.11 of standard IEC EN62208.

## SHORT CIRCUIT

The short circuit withstand rating, specified by the original manufacturer of the assembly, must be verified by application of design rules, calculation or testing.

The assembly must be manufactured to withstand thermal or dynamic stress up to the established short circuit values.

The ETA suite cabinet system with ETA tested busbar system and supports is complying with 61439-1-2.



## SURFACE TREATMENTS

For INDOOR applications (generally in environments classified as C1, C2 according to EN12944), it is advisable to choose standard dust and standard cycle as the dust is resistant to mineral oils, lubricants, emulsions and cleaning products with low acid content and diluted in concentrations of less than 5%. In presence of particularly harsh chemical substances, the E.T.A. technical staff is available to evaluate the possibility of an ad hoc solution.



For OUTDOOR applications (generally in environments classified as C3), environmental factors (ice, snow, rain, sun, wind, humidity) need to be considered in order to select an assembly with an appropriate IP protection rating (installing a protective roof, if necessary) Polyester powders are recommended for products installed outdoors, because they are very resistant to UV rays. In average corrosion and humidity conditions, anticorrosive zinc-based powder is a valid solution. For environment with high salinity and high levels of pollution (generally areas in the C4 category: industrial areas and coastal areas, or C5: chemical petrochemical industries, marine environments, offshore), we recommend using zinc plated steel coated with special powders for outdoor use or polished stainless steel and, if necessary, painted.

For INDOOR and OUTDOOR applications (food, chemical, petrochemical industries) requiring a high degree of hygiene and/or resistance to chemical and environmental agents, ETA recommends its AISI 304L and AISI 316L stainless steel products. Stainless steel materials are alloys of iron, chrome and carbon, enriched with other elements such as nickel, molybdenum, silicon, titanium, etc. They stand out for their high resistance to corrosive attacks from external factors. This characteristic is determined by the spontaneous formation of a thin layer of chromium oxide on the stainless steel surface, which protects the metal below from corrosive attacks and from the presence of other elements, such as nickel, molybdenum, titanium, etc. This layer, very stable and tough, prevents direct contact between the surrounding atmosphere and the steel. Unlike conventional protection coatings (zinc-plating, painting, etc.) it has the capacity to restore itself after accidental breaks, making the material intrinsically resistant to corrosion. There are different degrees of stainlessness or, in other words, a scale of nobility, determined by the chemical composition. The steel selected by ETA is austenitic AISI 304L and 316L, where the L stands for low carbon, which makes the steel even more resistant to corrosion. The presence of elements such as Chrome Nickel and Molybdenum improve the intrinsic characteristics of stainless steel. The durability of the product subject to salt spray and condensation atmosphere testing depends on:

- sheet type
- production process
- wash cycle
- painting
- powder used

Ageing depends on the different environmental conditions that the installed product is subject to.

Quality: 100% visual inspections.

Periodical E.T.A. in-house laboratory tests of the process on painted samples:

- visual inspection of the surfaces
- thickness testing
- adhesion testing (ISO 2409)
- film adherence test: piercing and bending
- salt spray test as per ISO 9227
- resistance to humidity test as per ISO 6270.







## OVERTEMPERATURE AND CONDENSATION (DUE TO EXPOSURE TO LOW TEMPERATURES)

In environments where the walls reach, on their inner surface, temperatures below the dew point temperature of ambient air, the phenomenon of surface condensation occurs, resulting in the accumulation, on the surfaces of the walls, of a quantity of water that cannot be contained in the air in the form of vapour. Surface condensation is closely related to the internal surface temperature of the wall and therefore depends on, not only the temperature and relative humidity of the ambient air, but also the amount of insulation offered by the wall itself. Generally, surface condensation is closely related to the degree of thermal insulation provided by the wall, since, for an ambient with given thermo-hygrometric characteristics (air temperature and humidity), condensation depends on the temperature where the internal face of the wall is located.

To prevent surface condensation phenomenon, one only needs to keep the internal temperature of the walls above the dew point temperature of ambient air, and therefore check that:  $t_{pi} > tR$

The value of dew point temperature  $tR$  can be obtained from the Mollier diagram for moist air (where the ambient air temperature and its relative humidity are known), while to calculate the surface temperature it is necessary to estimate the heat balance of the wall (refer to Software QuadroPlan).

**Note:** if the maximum surface temperature is insufficient to prevent condensation, an anti-condensation space heater can be used to maintain the indoor air – and therefore the surface air – at the desired temperature. To size the heater, the cabinet (or enclosure) open surface must be determined on the X-axis, the intersection point on the  $\Delta T$  oblique line indicates the necessary thermal power on Y-axis.

Formula:

$$P = K \times S \times \Delta T$$

where:

P = dissipated thermal power [Watt]

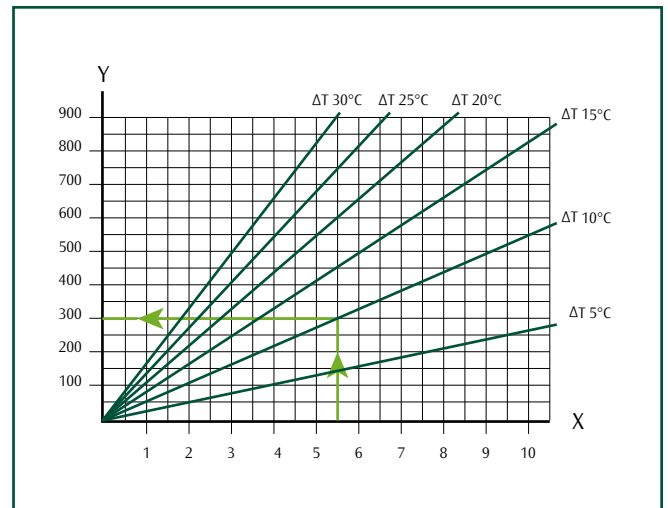
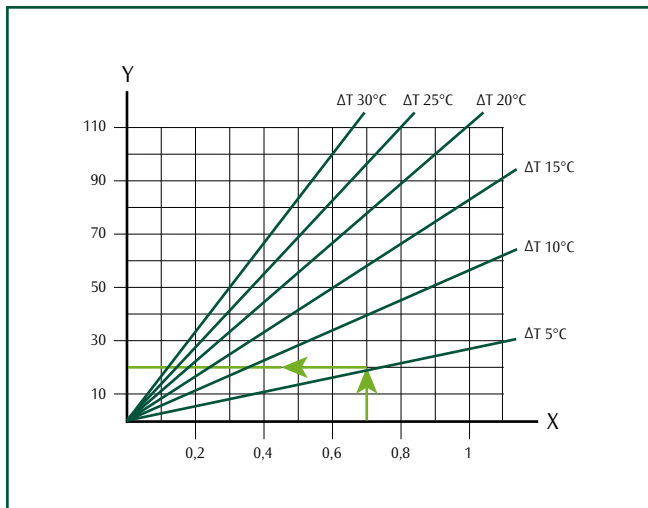
K= heat dissipation coefficient for the enclosure material (for painted sheet steel  $K=5.5$  [W/m<sup>2</sup>°C])

S= open cabinet surface [m<sup>2</sup>]

$\Delta T = (T_i - T_e)$

T<sub>i</sub>= desired internal temperature

T<sub>e</sub>= external temperature [°C].



Adding appropriate thicknesses of insulation materials helps to prevent surface condensation phenomenon because insulation raises the surface temperature of the wall to above the dew point temperature.

## SEISMIC DESIGN

Seismic design starts from the seismic vulnerability assessment of the structure located in different geographical scales; the project refers to two activities carried out during the consultancy between the Eucentre Foundation in Pavia, TREES Lab (Laboratory for Training and Research in Earthquake Engineering and Seismology) and ETA.



### MODELLING AND NUMERICAL SIMULATION

In the first task of mathematical simulation, the analysis is based on the increasing values of acceleration PGA from 0.35g to 1.5g, where PGA stands for Peak Ground Acceleration (measure of earthquake acceleration on the ground). The PGA of a site is expressed as acceleration on hard ground, and that is to say net of any amplification effects due to the different soil beneath the structure; the spectra considered were applied separately in both the x and y direction.

### SIMULATION ON A SHAKE TABLE

For the second simulation activity on a shake table, the known earthquake spectra was used, which are considered as representative. The recorded values of acceleration, displacement and velocity of various seismic events were applied to the 2 prototypes in order to achieve maximum accuracy. The two prototypes were tested both parallel and perpendicular to the direction of displacement (x,y). After the first test, the samples were carefully inspected to check that there were no structural failures. The subsequent tests were conducted by increasing the values of each spectra by up to 1.5% and then repeating the check on the structures (hinges, screws, fasteners). The technical solutions offered by ETA are the result of the combination of the two research activities (modelling and numerical simulation and simulation on a shake table). To make the right choice, we recommend that you check the seismic data available at the installation site and consult page of our catalogue on page 68.



## TEMPERATURE RISE IN ASSEMBLIES

An electrical panel (assembly) is a system made up of a fluid (air) and of solid bodies including devices which, due to the Joule effect, current passes through and heats them up. The evolution towards thermal equilibrium involves the transfer of heat from live parts (devices, conductors ...) to the parts in contact with the devices and from these to the surrounding environment.

Heat transfer takes place by means of:

- conduction (transfer of heat inside solid bodies)
- radiation (transfer of heat between solid bodies separated by a medium)
- convection (transfer of heat between a solid body and a moving fluid).

The temperature inside the assembly increases until it establishes at a  $T_i$  value that differs from the external temperature  $T_e$ . IEC EN60439-1 lays down the temperature rise limits which must not be exceeded in certain points of the assembly. Verification can be done using the calculation procedure provided in standard CEI 17/43. In principle, this method is applied to enclosures for which the following assumptions apply:

- 1 even distribution of dissipated power;
- 2 devices arranged in a way that does not impede air circulation;
- 3 no more than three horizontal separation
- 4 The data required for the calculation are: dimensions of the enclosure, the power dissipated in the enclosure (devices, conductors) and the type of installation (insulated assembly, or insulated at one end...).

**Note:** QuadroPlan software – available online for download – allows you to calculate the power dissipated by the surfaces and offers an over-temperature calculation module; furthermore, dissipation tables of the sheet used for ETA products are available in the reserved area at [www.eta.it](http://www.eta.it).

## prontoquadro

The QuadroPlan software, which is available online, allows the user to calculate the power that can be dissipated from the surfaces, and offers a tool for checking the temperature rise limits according to table 6 of the IEC EN 61439-1 Standard.

Indoor calculation: temperature rise calculation according to CEI 17.43 (IEC 60890). The calculation is based on the cabinet's natural dissipation, without taking any ventilation/cooling/heating options into account. These options are only proposed during the final stage in order to meet all the user's requirements.

Outdoor calculation or calculation subject to external factors: this calculation is carried out for applications in environments where the temperature is affected by the power installed inside the panel, as well as by external energy factors (e.g. sunlight). It is based on a physical model designed according to the basic principles governing thermal exchanges of a convective and radiative type, and using a lumped-parameter mathematical model.

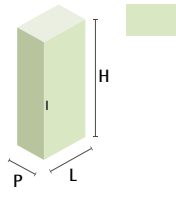
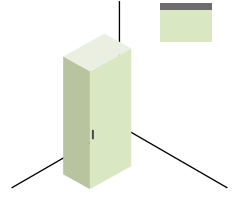
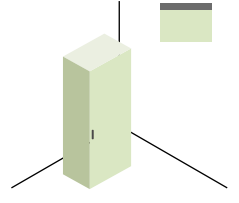
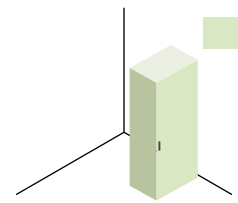
## HEAT DISSIPATION\_E NUX MILD STEEL CABINETS

DIMENSIONS			$\Delta T [^{\circ}C]$ POWER DISSIPATION [W]							$\Delta T [^{\circ}C]$ POWER DISSIPATION [W]							$\Delta T [^{\circ}C]$ POWER DISSIPATION [W]						
			5	10	15	20	25	30	35	5	10	15	20	25	30	35	5	10	15	20	25	30	35
400	1600	400	18	44	72	103	136	171	207	18	43	72	103	136	170	206	18	43	71	102	135	169	205
400	1600	500	25	60	99	141	187	234	284	23	55	91	130	172	215	261	22	53	87	125	165	206	250
400	1600	600	30	71	117	167	221	277	335	28	66	109	155	205	257	312	26	61	101	145	191	239	290
400	1800	400	21	50	83	119	157	198	239	21	50	83	119	157	197	239	21	50	83	118	156	196	237
400	1800	500	28	66	109	156	206	258	313	26	61	101	144	191	239	290	24	58	96	137	181	227	275
400	1800	600	33	77	128	182	241	302	366	30	72	119	171	226	283	343	29	68	112	160	212	266	322
400	1800	800	41	96	159	227	300	376	456	40	94	156	222	294	368	446	36	86	142	203	268	336	407
400	2000	400	26	63	104	148	196	246	297	24	56	93	133	176	220	267	24	56	93	132	175	219	266
400	2000	500	31	72	120	172	227	284	344	28	67	110	158	208	261	316	27	64	106	152	201	252	305
400	2000	600	35	83	138	197	260	326	395	33	79	130	186	246	308	373	31	74	122	175	231	289	350
400	2000	800	42	99	164	234	309	388	470	41	97	161	231	305	382	463	39	91	151	216	285	358	434
400	2200	500	33	79	131	187	247	310	376	31	74	122	175	231	290	351	30	71	117	167	221	277	336
400	2200	600	37	87	143	205	270	339	411	35	83	138	197	261	327	396	33	79	131	187	247	310	375
400	2200	800	44	103	171	244	323	405	490	43	101	168	240	317	398	482	40	94	156	223	294	369	447
600	1400	400	27	63	105	150	198	248	301	24	56	93	132	175	219	265	25	58	97	138	182	229	277
600	1400	500	32	75	124	177	234	294	356	29	68	112	160	212	266	322	29	68	113	162	214	268	325
600	1600	400	30	71	117	167	221	277	335	26	62	103	147	194	244	295	27	65	108	154	203	255	309
600	1600	500	35	83	137	195	258	324	392	31	74	123	176	233	292	354	32	75	125	178	235	295	357
600	1600	600	40	95	157	224	296	371	450	37	87	144	207	273	342	414	36	86	143	205	270	339	410
600	1800	400	33	78	129	184	243	305	369	29	69	114	163	216	271	328	30	71	118	169	223	280	340
600	1800	500	38	90	149	213	281	352	427	34	82	135	193	255	320	388	35	83	137	195	258	324	392
600	1800	600	41	98	162	232	307	385	466	40	95	157	224	296	371	450	39	93	154	220	290	364	441
600	1800	800	50	117	194	278	367	460	557	48	113	187	267	353	443	536	46	108	180	257	339	425	515
600	2000	400	35	82	137	195	258	323	392	32	75	124	178	235	295	357	33	77	128	183	241	303	367
600	2000	500	39	93	153	219	289	363	440	37	88	146	208	275	345	418	38	90	149	213	281	352	426
600	2000	600	43	102	169	241	318	399	484	41	98	162	232	306	384	465	41	96	159	228	300	377	456
600	2000	800	51	122	201	288	380	477	578	50	118	195	279	368	462	560	48	113	187	268	354	444	538
600	2000	1000	58	138	228	327	431	541	655	57	135	224	320	422	530	642	55	129	214	306	404	507	614
600	2200	500	40	96	158	227	299	375	454	39	91	151	216	286	358	434	38	91	150	215	284	356	431
600	2200	600	45	107	177	254	335	420	509	43	101	167	239	315	395	479	42	100	165	236	312	392	474
600	2200	800	53	125	208	297	392	492	596	51	121	201	287	379	475	575	50	117	194	278	367	460	558
800	1400	400	35	84	139	199	262	329	398	29	68	113	162	213	268	324	33	79	130	186	245	308	373
800	1400	500	40	96	158	226	299	374	454	37	87	144	206	272	341	414	38	90	150	214	283	355	429
800	1600	400	38	91	151	216	285	357	433	34	81	134	192	254	318	385	36	86	143	205	270	339	410
800	1600	500	43	102	169	241	318	399	484	40	94	156	224	295	370	448	41	98	163	232	307	385	466
800	1600	600	47	111	184	263	348	436	528	45	107	176	252	333	418	506	40	96	158	226	299	375	454
800	1800	400	41	96	159	227	300	376	456	37	87	145	207	273	342	415	39	93	154	220	291	365	442
800	1800	500	45	106	175	250	330	414	501	42	100	166	237	313	393	476	43	101	168	240	317	397	481
800	1800	600	50	117	194	278	367	460	557	46	110	182	261	344	432	523	47	111	183	262	346	434	526
800	1800	800	57	136	224	321	424	531	644	56	131	218	311	411	516	625	55	130	215	308	407	510	618
800	2000	400	42	100	165	237	312	392	474	39	93	154	220	291	365	442	40	96	158	227	299	375	455
800	2000	500	47	111	183	262	346	434	525	44	104	172	245	324	406	492	44	105	174	249	328	412	499
800	2000	600	52	122	202	289	382	479	580	48	114	189	271	357	448	543	49	116	191	274	361	453	549
800	2000	800	59	140	232	332	439	550	667	57	135	224	321	423	531	643	57	134	222	318	419	526	637
800	2000	1000	68	160	265	379	500	628	761	65	154	254	364	480	602	730	63	150	248	354	468	587	711
800	2200	500	49	115	191	273	360	452	547	45	108	178	255	336	422	511	47	110	182	261	344	432	523
800	2200	600	53	125	208	297	392	492	596	50	120	198	283	374	469	568	51	120	199	284	375	471	570
800	2200	800	62	146	241	345	456	572	693	59	140	231	330	436	547	663	58	138	228	326	430	540	654

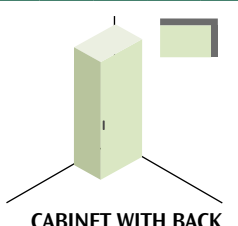
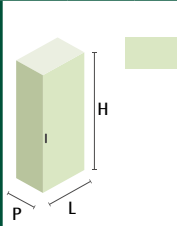
## HEAT DISSIPATION\_E NUX MILD STEEL CABINETS

DIMENSIONS			$\Delta T [^{\circ}C]$ POWER DISSIPATION [W]							$\Delta T [^{\circ}C]$ POWER DISSIPATION [W]						
			5	10	15	20	25	30	35	5	10	15	20	25	30	35
W	H	D														
400	1600	400	16	38	63	91	119	150	182	14	33	55	79	104	131	159
400	1600	500	20	47	77	110	146	183	221	15	36	60	86	113	142	172
400	1600	600	24	57	94	134	177	222	269	21	49	81	116	153	192	233
400	1800	400	18	43	71	102	135	169	205	17	41	67	96	127	159	193
400	1800	500	22	53	88	126	166	208	252	20	47	79	112	148	186	225
400	1800	600	26	62	103	147	194	244	295	23	54	90	128	169	212	257
400	1800	800	35	82	136	195	257	322	391	29	68	112	160	212	265	321
400	2000	400	21	50	82	117	155	194	235	19	45	74	106	140	175	212
400	2000	500	24	58	96	137	180	226	274	22	52	86	123	163	204	247
400	2000	600	29	68	113	162	213	267	324	25	59	98	141	186	233	282
400	2000	800	37	88	145	207	274	343	416	31	74	123	176	232	291	352
400	2200	500	27	65	107	153	202	253	307	24	57	94	134	177	222	269
400	2200	600	31	74	122	174	230	289	350	27	65	107	153	202	253	307
400	2200	800	39	93	153	219	289	363	440	34	81	133	191	252	316	383
600	1400	400	21	50	83	118	156	196	238	17	40	67	95	126	158	191
600	1400	500	26	61	100	143	189	237	287	20	46	77	110	145	182	220
600	1600	400	24	57	94	134	177	222	269	19	45	74	107	141	176	214
600	1600	500	28	67	111	159	210	263	318	22	52	86	122	162	203	246
600	1600	600	33	79	130	186	246	309	374	25	58	97	138	183	229	277
600	1800	400	26	62	103	147	194	244	295	21	50	82	118	155	195	236
600	1800	500	31	74	123	176	232	291	352	24	57	94	135	178	224	271
600	1800	600	36	85	141	202	266	334	405	27	64	107	152	201	252	306
600	1800	800	45	106	175	250	330	414	502	33	79	131	187	247	310	375
600	2000	400	29	68	113	162	213	267	324	23	54	90	129	170	213	259
600	2000	500	34	81	133	191	252	316	382	26	62	103	148	195	245	296
600	2000	600	39	91	151	217	286	359	434	30	70	116	167	220	276	334
600	2000	800	46	109	180	257	339	426	516	36	86	143	204	269	338	409
600	2000	1000	54	127	210	301	397	498	603	43	102	169	242	319	400	485
600	2200	500	36	85	141	201	266	334	404	29	68	112	160	212	266	322
600	2200	600	40	95	157	224	296	371	450	32	76	126	181	238	299	362
600	2200	800	47	112	186	266	351	440	533	39	93	155	221	292	366	444
800	1400	400	29	68	112	160	212	266	322	20	48	79	113	149	187	227
800	1400	500	34	80	132	189	250	313	380	23	54	90	129	170	214	259
800	1600	400	32	75	124	178	235	294	357	22	53	88	126	166	209	253
800	1600	500	37	88	146	209	276	347	420	26	61	100	143	189	237	288
800	1600	600	42	100	165	237	312	392	475	29	68	112	161	212	266	322
800	1800	400	35	82	136	195	257	322	391	25	59	97	139	184	230	279
800	1800	500	40	95	157	224	295	371	449	28	67	110	158	208	261	317
800	1800	600	45	106	175	250	330	414	502	31	75	123	177	233	292	354
800	1800	800	52	123	203	291	384	481	583	38	90	150	214	282	354	429
800	2000	400	37	88	145	207	274	343	416	27	64	106	152	201	252	305
800	2000	500	42	99	165	235	311	390	472	31	73	120	172	227	285	345
800	2000	600	46	109	180	257	339	426	516	34	81	134	192	254	319	386
800	2000	800	55	129	214	306	404	507	614	41	98	163	233	307	385	467
800	2000	1000	61	145	241	345	455	570	691	49	115	191	273	360	452	547
800	2200	500	43	102	169	241	318	400	484	33	79	130	187	246	309	374
800	2200	600	47	112	186	266	351	440	533	37	88	146	208	275	345	418
800	2200	800	56	132	219	313	414	519	629	45	106	176	251	332	416	504

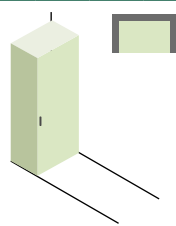
## HEAT DISSIPATION\_E NUX MILD STEEL CABINETS

			 CABINET WITH ALL SIDES FREE							 CABINET WITH BACK COVERED							 CABINET WITH ONE SIDE COVERED						
			$\Delta T [^{\circ}C]$ POWER DISSIPATION [W]							$\Delta T [^{\circ}C]$ POWER DISSIPATION [W]							$\Delta T [^{\circ}C]$ POWER DISSIPATION [W]						
W	H	D	5	10	15	20	25	30	35	5	10	15	20	25	30	35	5	10	15	20	25	30	35
1000	1600	400	45	106	175	251	331	415	503	42	98	163	233	307	386	467	44	104	172	245	324	406	492
1000	1600	500	50	118	195	278	367	461	558	37	89	147	210	277	347	421	48	113	188	269	354	445	539
1000	1600	600	54	129	213	305	402	505	612	50	120	198	283	374	469	568	52	123	204	292	386	484	586
1000	1800	400	47	111	183	262	346	434	525	43	103	170	243	320	402	487	45	107	178	254	335	421	510
1000	1800	500	52	124	205	294	388	486	589	48	114	190	271	358	449	544	50	119	198	283	373	468	567
1000	1800	600	56	133	220	315	416	522	632	53	127	210	300	396	496	601	55	130	215	307	406	509	617
1000	1800	800	64	152	252	360	475	596	722	62	146	241	345	456	571	692	63	149	247	353	466	585	708
1000	2000	400	49	117	194	277	366	459	556	45	106	176	251	332	416	504	47	112	186	266	352	441	534
1000	2000	500	54	128	211	302	399	500	606	51	120	198	284	374	470	569	52	124	206	294	388	487	590
1000	2000	600	58	138	229	327	432	542	656	56	132	218	312	412	517	626	57	134	222	317	419	525	636
1000	2000	800	68	160	265	379	500	628	761	64	151	251	359	474	594	720	64	152	251	359	474	595	721
1000	2200	500	56	132	218	312	411	516	625	52	124	205	293	387	485	588	54	127	210	301	397	498	604
1000	2200	600	61	143	238	340	448	562	681	57	135	224	320	423	530	642	58	138	228	326	430	540	654
1000	2200	800	71	169	280	401	529	663	803	66	157	259	371	490	614	744	67	159	263	376	497	623	755
1200	1400	400	48	114	189	270	356	447	541	45	106	176	251	332	416	504	47	112	185	265	350	439	532
1200	1400	500	53	125	207	296	390	489	593	49	116	192	274	362	454	550	51	122	202	288	380	477	578
1200	1600	400	51	121	201	287	379	476	576	47	111	184	263	347	436	528	50	118	196	280	369	463	561
1200	1600	500	56	133	220	315	415	521	631	52	122	202	290	382	479	581	55	131	216	309	408	512	620
1200	1600	600	60	142	234	335	443	555	673	57	135	223	319	421	529	640	59	139	229	328	433	543	658
1200	1800	400	54	127	210	301	397	498	603	49	116	192	274	362	454	550	53	125	208	297	392	492	595
1200	1800	500	58	138	228	326	430	539	653	55	130	215	308	407	510	618	57	135	223	319	421	528	640
1200	1800	600	63	148	245	351	463	581	704	59	140	232	332	438	550	666	61	144	239	341	451	565	685
1200	1800	800	72	169	280	401	529	664	805	67	160	264	378	499	626	758	69	163	270	386	509	639	774
1200	2000	400	55	131	217	310	409	513	622	52	122	202	289	381	479	580	54	128	212	303	399	501	607
1200	2000	500	61	144	239	341	450	565	684	57	135	224	320	422	529	641	61	145	240	343	453	568	688
1200	2000	600	66	156	258	369	487	612	741	61	145	240	343	453	568	688	64	150	249	356	470	590	714
1200	2000	800	77	182	301	430	567	712	862	71	168	278	397	524	658	797	73	172	285	407	537	674	817
1200	2000	1000	90	213	352	503	664	833	1009	82	194	321	460	607	761	922	82	195	323	462	610	765	927
1200	2200	500	63	150	248	355	469	588	713	58	138	228	326	430	540	654	61	144	239	342	451	566	685
1200	2200	600	70	165	273	390	515	646	782	64	151	249	357	471	590	715	66	157	261	373	492	617	748
1200	2200	800	83	196	324	463	612	767	930	75	178	294	421	555	697	844	77	182	302	432	570	715	866
1400	2000	400	62	146	242	347	458	574	696	56	134	222	317	418	525	636	61	144	238	340	449	563	682
1400	2000	500	68	161	266	380	502	630	763	62	147	243	347	458	575	696	66	156	259	370	489	613	743
1400	2000	600	74	175	290	415	548	687	833	68	160	265	379	500	628	760	72	169	280	401	529	664	805
1400	2000	800	88	208	344	492	649	814	987	79	186	308	441	582	730	885	82	195	323	462	610	765	926
1400	2000	1000	103	245	405	580	765	960	1163	92	218	360	515	680	853	1034	95	224	372	532	702	880	1066
1600	1400	400	59	140	232	332	438	550	666	50	118	195	279	369	463	560	54	129	213	304	402	504	611
1600	1400	500	67	158	262	375	495	621	752	57	136	225	321	424	532	645	61	145	240	343	453	568	688
1600	1400	600	74	176	292	418	551	692	838	66	156	258	369	487	611	740	67	159	264	377	498	625	757
1600	1400	700	81	193	319	456	602	755	915	73	172	285	407	538	675	817	73	173	287	410	541	679	822
1600	2000	400	75	179	296	423	558	700	848	65	155	256	367	484	607	735	70	167	276	395	521	654	792
1600	2000	500	82	194	320	458	605	759	919	74	175	290	415	547	687	832	77	183	303	434	573	719	870
1600	2000	600	88	209	346	495	654	820	994	83	196	325	464	613	769	931	83	197	327	467	617	774	937
1600	2000	800	93	219	363	520	686	861	1042	94	223	370	529	698	875	1060	93	221	366	523	690	866	1049
1800	1000	400	52	122	202	290	382	479	581	43	102	168	240	317	398	482	48	113	186	267	352	441	535

## HEAT DISSIPATION\_E NUX MILD STEEL CABINETS



**CABINET WITH BACK  
AND ONE SIDE COVERED**

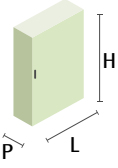
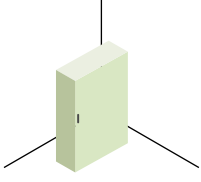
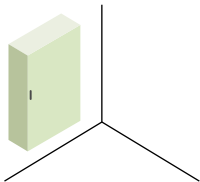
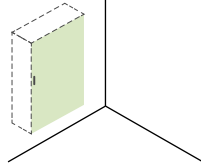


**CABINET WITH THREE SIDES COVERED**

DIMENSIONS			$\Delta T$ [°C] POWER DISSIPATION [W]							$\Delta T$ [°C] POWER DISSIPATION [W]						
			5	10	15	20	25	30	35	5	10	15	20	25	30	35
1000	1600	400	40	94	156	223	294	368	446	26	62	102	146	192	241	292
1000	1600	500	45	106	176	252	333	418	506	29	69	115	164	217	272	330
1000	1600	600	49	115	191	273	361	452	548	33	77	128	183	241	303	367
1000	1800	400	43	101	167	238	315	395	478	29	68	112	160	212	266	322
1000	1800	500	47	110	183	261	345	433	524	32	76	126	181	238	299	362
1000	1800	600	51	121	201	287	379	475	575	36	85	140	201	265	332	402
1000	1800	800	60	141	233	334	441	553	670	43	102	168	241	318	399	483
1000	2000	400	43	103	170	244	322	404	489	31	74	122	175	231	290	351
1000	2000	500	48	115	190	272	359	450	545	35	83	138	197	260	326	394
1000	2000	600	53	126	209	299	395	496	600	39	92	153	218	288	361	438
1000	2000	800	61	145	241	345	455	570	691	47	110	183	261	345	432	524
1000	2200	500	50	119	197	282	372	467	566	38	90	149	213	281	352	427
1000	2200	600	55	131	216	310	409	513	621	42	100	165	236	311	390	473
1000	2200	800	63	150	248	355	469	588	712	50	119	197	282	372	466	565
1200	1400	400	43	103	170	243	321	402	487	27	63	104	149	197	247	299
1200	1400	500	48	114	189	271	357	448	543	30	71	117	167	221	277	336
1200	1600	400	46	109	181	259	342	428	519	29	70	116	165	218	274	332
1200	1600	500	50	119	197	282	373	468	567	33	78	130	185	245	307	372
1200	1600	600	55	130	215	307	406	509	617	37	87	144	205	271	340	412
1200	1800	400	48	113	188	269	355	445	539	32	77	127	182	240	301	365
1200	1800	500	53	126	209	298	394	494	598	36	86	142	203	268	337	408
1200	1800	600	58	138	228	326	431	540	654	40	95	157	225	296	372	451
1200	1800	800	65	155	256	366	483	606	734	48	113	187	267	353	443	536
1200	2000	400	50	118	196	280	370	464	562	35	84	139	198	262	328	398
1200	2000	500	56	132	219	313	414	519	629	39	93	155	221	292	366	444
1200	2000	600	60	141	234	335	442	555	672	44	103	171	244	322	404	489
1200	2000	800	68	161	266	381	502	630	763	52	122	203	290	382	480	581
1200	2000	1000	77	181	300	429	567	711	861	60	142	235	335	443	555	673
1200	2200	500	57	134	222	318	419	526	637	43	101	167	239	315	396	479
1200	2200	600	61	145	241	344	455	570	691	47	111	184	263	348	436	528
1200	2200	800	71	168	277	397	524	657	796	56	126	213	303	402	507	617
1400	2000	400	56	132	219	313	414	519	629	39	93	155	221	292	366	444
1400	2000	500	61	144	239	342	452	567	686	44	104	172	246	324	407	493
1400	2000	600	66	155	257	368	486	609	738	48	114	189	270	356	447	541
1400	2000	800	75	178	294	421	555	696	843	57	134	223	318	420	527	638
1400	2000	1000	86	203	336	480	633	795	963	65	155	256	367	484	607	735
1600	1400	400	44	105	173	248	327	410	496	33	78	129	185	244	306	370
1600	1400	500	52	123	203	290	383	481	582	37	87	144	206	272	341	413
1600	1400	600	58	136	226	323	426	535	648	40	96	159	227	300	376	455
1600	1400	700	64	151	250	357	472	592	717	44	105	174	248	328	411	498
1600	2000	400	59	141	233	333	440	552	669	44	103	171	244	323	405	490
1600	2000	500	66	157	260	372	491	616	746	48	114	189	270	356	447	542
1600	2000	600	74	175	290	415	548	687	833	53	125	207	296	390	489	593
1600	2000	800	87	207	342	490	646	811	982	62	146	242	347	458	574	695
1800	1000	400	40	94	156	223	294	368	446	28	67	111	159	210	263	319



## HEAT DISSIPATION\_ST MILD STEEL BOXES

			 BOX WITH ALL SIDES FREE										 BOX LEANING TO WALL										 ENCLOSED BOX									
			$\Delta T [^{\circ}C]$ POWER DISSIPATION [W]										$\Delta T [^{\circ}C]$ POWER DISSIPATION [W]										$\Delta T [^{\circ}C]$ POWER DISSIPATION [W]									
L	H	P	5	10	15	20	25	30	35	40	45	5	10	15	20	25	30	35	40	45	5	10	15	20	25	30	35	40	45			
200	300	150	3	6	10	15	19	24	30	35	40	2	6	9	13	22	26	17	31	36	2	4	7	10	13	16	19	23	27			
300	300	150	4	8	14	20	26	33	40	47	55	3	8	13	18	30	36	24	43	49	2	6	9	13	17	22	26	31	36			
300	400	150	4	10	17	25	33	41	50	59	68	4	9	15	22	36	44	29	52	60	3	7	12	17	22	28	33	40	46			
300	500	150	5	12	19	27	36	45	55	65	75	4	10	17	24	39	48	31	56	65	3	8	13	19	24	31	37	44	51			
400	300	150	4	10	17	24	32	40	49	57	66	4	9	15	22	37	44	29	52	61	3	7	11	16	21	27	33	38	45			
400	500	150	6	15	25	36	47	59	71	84	97	5	13	21	31	51	62	40	73	84	4	11	17	25	33	41	50	59	68			
300	400	200	5	12	19	27	36	45	55	65	75	4	11	17	25	41	50	33	59	68	3	8	13	18	24	31	37	44	51			
300	500	200	6	14	22	32	42	53	64	76	88	5	12	21	29	49	59	39	70	81	4	9	14	21	27	34	41	49	56			
400	300	200	5	12	21	30	39	49	59	70	81	5	11	18	26	44	53	35	62	72	4	8	14	20	26	33	40	47	54			
400	400	200	6	15	24	35	46	58	70	83	96	5	13	22	31	51	62	41	73	84	4	10	17	24	32	40	48	57	66			
400	500	200	7	17	28	40	53	67	81	96	111	6	15	25	35	59	71	47	84	97	5	12	19	28	37	46	56	66	76			
400	600	200	8	19	32	45	60	75	91	107	124	7	17	28	40	66	80	53	94	109	6	13	22	31	42	52	63	74	86			
500	500	200	9	20	34	48	64	80	97	114	132	8	18	30	42	70	85	56	101	116	6	14	23	33	44	55	67	79	91			
500	700	200	11	25	42	60	79	99	120	142	165	9	22	36	52	86	104	68	123	142	7	18	29	42	56	70	84	100	115			
600	400	200	9	21	34	49	65	82	99	117	135	8	18	30	43	72	87	57	103	119	6	14	24	34	45	57	69	81	94			
600	600	200	11	27	44	63	83	105	127	150	173	10	23	38	54	90	109	72	129	149	8	19	31	44	59	73	89	105	122			
600	800	200	11	25	41	59	78	98	118	140	162	12	28	46	66	110	133	87	157	182	10	23	38	54	72	90	109	129	149			
400	500	250	8	19	31	44	58	73	88	104	121	7	17	27	39	65	79	52	93	107	5	13	21	30	40	50	61	72	84			
400	600	250	9	21	35	51	67	84	101	120	139	8	19	31	45	74	90	59	106	123	6	14	23	33	44	55	67	79	92			
500	700	250	12	28	46	66	87	109	132	156	180	10	25	41	58	96	117	77	138	159	8	19	31	45	59	74	90	106	123			
600	800	250	12	29	48	68	90	113	137	162	188	13	30	50	72	119	145	95	171	198	10	24	41	58	77	96	116	137	159			
600	1000	250	14	33	55	78	103	129	157	185	214	12	29	48	69	115	139	91	164	190	12	29	48	68	90	113	137	161	187			
600	400	300	11	25	42	59	79	99	119	141	163	10	23	38	54	89	108	71	127	147	7	17	28	39	52	65	79	93	108			
600	600	300	13	31	51	73	97	121	147	174	201	12	28	46	65	108	131	86	155	179	9	21	35	50	66	83	101	119	138			
600	800	300	14	32	53	76	101	127	153	181	210	12	28	47	67	111	134	88	159	184	11	26	43	62	81	102	124	146	169			
600	1000	300	16	38	62	89	118	148	179	211	245	14	33	54	78	129	156	103	184	213	11	25	42	60	79	99	120	142	164			
600	1200	300	19	45	74	105	139	175	212	250	289	16	38	62	89	148	179	118	212	245	12	29	49	69	92	115	139	165	190			
800	800	300	18	42	70	100	132	166	201	237	274	15	37	61	87	144	174	115	205	238	12	29	48	69	91	114	138	163	188			
800	1000	300	22	51	85	122	161	202	244	288	334	19	44	73	105	174	211	139	249	288	14	34	57	81	107	135	163	193	223			
800	1200	300	26	61	101	145	192	240	291	344	398	22	52	86	122	203	245	161	290	335	17	39	65	93	123	154	187	221	256			
400	600	400	11	26	44	63	83	104	126	148	172	10	25	41	58	97	117	77	138	160	7	17	29	41	55	68	83	98	113			
600	600	400	13	31	52	74	98	122	148	175	203	12	29	47	68	112	136	89	160	186	10	24	39	56	75	94	113	134	155			
600	800	400	16	39	64	92	121	152	184	217	252	15	35	58	83	137	166	109	196	227	12	29	48	68	90	113	137	161	187			
600	1000	400	20	47	78	111	147	184	223	263	305	17	41	68	98	162	196	129	232	268	13	30	50	71	94	117	142	168	194			
800	800	400	22	52	86	122	161	203	245	290	335	19	45	75	107	177	215	141	253	293	14	33	55	79	104	130	158	187	216			
800	1000	400	27	64	106	151	199	250	303	357	414	23	55	91	130	215	261	171	308	356	17	39	65	94	123	155	188	221	256			
800	600	300	14	33	54	77	102	128	155	183	212	13	31	51	73	121	146	96	173	200	12	28	46	65	86	108	131	154	179			
1000	800	200	19	44	73	105	138	173	210	248	287	15	36	60	86	143	173	114	205	237	13	31	51	73	97	122	147	174	201			
1000	800	300	23	55	91	130	172	215	261	308	357	20	47	78	111	184	222	146	263	304	15	36	60	86	113	142	172	203	235			
1000	1000	300	29	68	112	160	211	265	321	379	439	24	57	95	135	224	271	179	320	371	19	46	76	109	143	180	218	257	298			
1000	1200	300	33	79	130	187	246	309	374	442	512	28	66	110	157	261	316	208	373	432	22	52	86	123	162	203	246	291	337			
1200	1200	300	40	95	158	225	297	373	452	534	618	34	81	135	193	319	387	255	457	529	28	67	111	158	209	262	318	375	435			

## SEPARATION

The inside of an electrical panel (assembly) can be separated using barriers or partitions, metallic or non metallic, to obtain conditions that limit the contact of live parts of the single functional units (switches).

Such separation must:

- Ensure safe access to parts cut off from the power supply, in relation to live parts (IPXXB)
- Reduce the probability of propagation of an internal arc
- Prevent the passage of foreign bodies between internal live parts (IP2X)

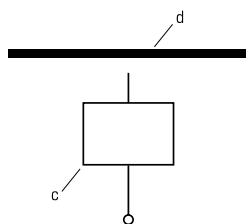
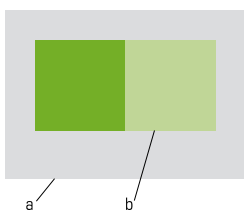
The separation criteria and various modalities are covered in EN61439-2, which considers 7 different forms of separation using barriers or partitions, starting from no internal separation (assembly with no internal barriers between the various functional units and/or busbars) up to form 4b of separation (i.e. the functional units are separated from the input busbars, output terminals and from one another).

**Note:** the functional unit is part of a device (assembly) comprising all the electrical and mechanical elements that contribute to the fulfilment of the same function. E.g. input/output switches, measurement unit, engine control unit etc.

By using ETA enclosures and structures it is possible to make all forms of separation provided in the standard.

**Note:** when the verification of the temperature rise is carried out through calculations, if the project is designed with more than 3 separations, the calculation according to standard CEI 17/43, which the QuadroPlan software program is based on, no longer applies. Furthermore, the greater forms of separation serve in very special cases, which require maintenance or operations ensuring the safety and continuity of service, i.e. to permit access to equipment cut off from the power supply in relation to those nearby.

## FUNCTIONAL UNIT



### LEGEND

- a. Enclosure
- b. Internal separation
- c. Functional Units, including terminals for associated external wires
- d. Bars, including distribution bars

### FORM 1

No internal separation

### FORM 2

Separation of busbars from the functional units

#### FORM 2A

Terminals not separated from the busbars

### FORM 3

Separation of the busbars from the functional units, plus separation of the functional units from one another

#### FORM 3A

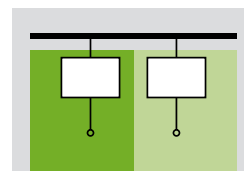
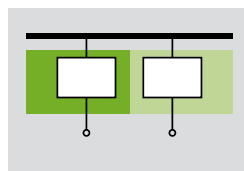
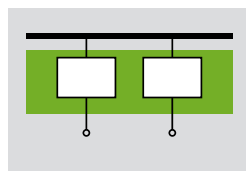
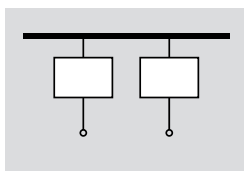
Terminals not separated from the busbars

### FORM 4

Separation of the busbars from the functional units, plus separation of the functional units from one another, plus separation of the terminals from one another

#### FORM 4A

Terminals in the same compartment as an integral part of the functional unit



#### FORM 2B

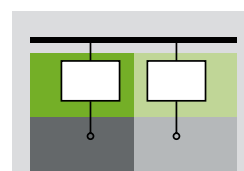
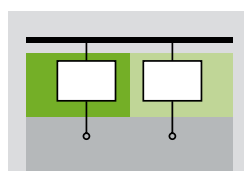
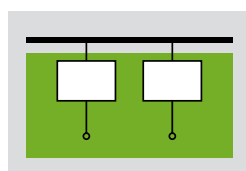
Terminals separated from the busbars

#### FORM 3B

Terminals for external conductors separated from busbars

#### FORM 4B

Terminals for external conductors not in the same compartment as the associated functional unit



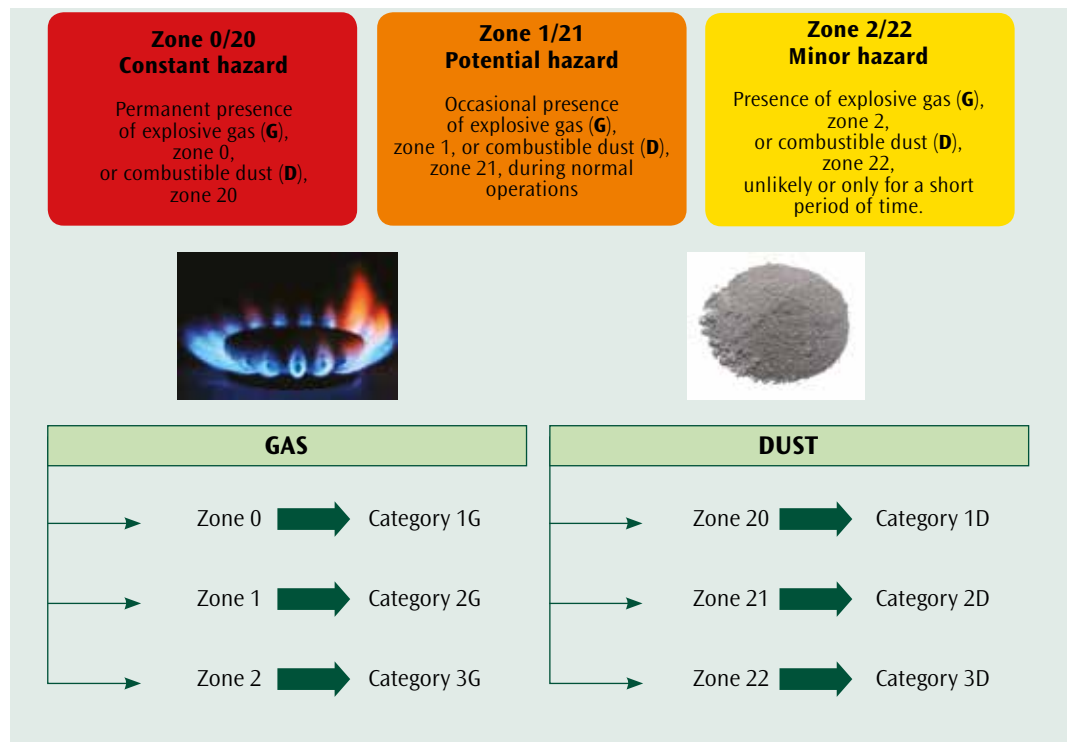
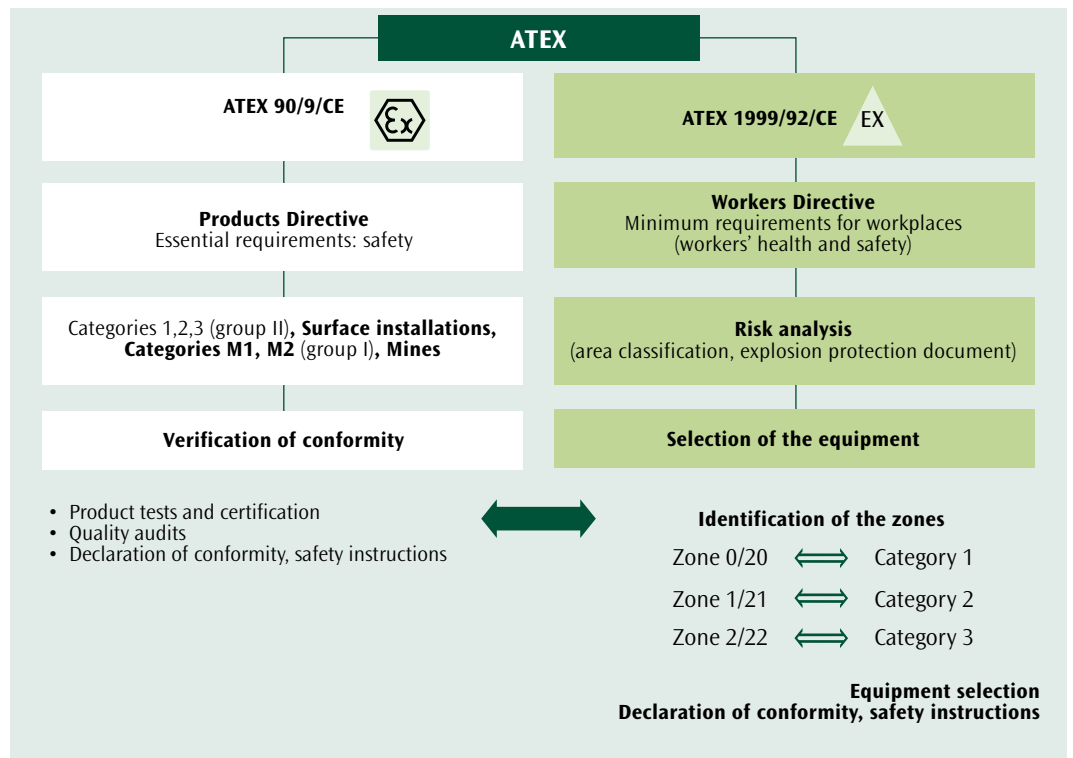


## APPLICATIONS IN EXPLOSIVE ATMOSPHERES AND TYPES OF PROTECTION FOR LV AND ON-BOARD ASSEMBLIES (DIRECTIVE 94/9/EC/ATEX)

The ATEX directive for explosive atmospheres applies to electrical and mechanical equipment and protective systems for use in Potentially explosive atmospheres, i.e. work environments where there is dust, gas and mists which in certain conditions (temperature, concentration and source of ignition) can cause an explosion.

In accordance with the Directive, the installers must, in particular:

- know the classification of the work areas and their extension, provided by the end user, who has the obligation to carry out a risk assessment in the work environments
- design and implement safety measures for the equipment from both an electrical and mechanical standpoint, based on where it will be installed (this determines the need to use suitable components).



If the end user has confirmed the presence of an explosion risk in the workplace and therefore has classified the work areas (as required by Directive 99/92/EC and also Legislative Decree 81/08, the end user must implement prevention procedures to minimise the risk of explosion (e.g. adjusting the temperature or concentration of the potential sources) or select appropriate protection systems to minimise the effects of a potential explosion.

We would like to remind you that three elements are required for an explosion to occur: fuel + oxygen + ignition source (heat). By inhibiting or eliminating just one of the 3 elements you can reduce the risk:

Containment: the explosion is contained within specific enclosures that do not allow its propagation to the external environment.

Prevention: the reliability of the electrical components is increased so that no sparks are generated and hazardous temperatures are reached during normal use. Example: limiting the heat (increased safety and construction safety).

Segregation: the live electrical parts or hot surfaces are physically separated from the explosive mixture, so that there is never any contact with the source of ignition. Example: removing the fuel (pressurisation, liquid immersion, encapsulation).

### EX STRUCTURE THAT CAN BE USED BASED ON THE CLASSIFICATION OF ZONES

HAZARDOUS AREA	ZONE	PRESENCE EXPLOSIVE MIXTURE	MARKING ON EQUIPMENT	TYPES OF PROTECTION ALLOWED												
				ia	d	e (PROTECTION) INCREASED SAFETY*	ib	m	o	q	p	n	tD (PROTECTION) BY ENCLOSURE AGAINST DUST AND GAS**			
Presence of gas, vapour or mist	0	Continuously or for long periods	II 1G	●	-	-	-	-	-	-	-	-	-	-	-	-
	1	Occasionally	II 2G	●	●	●	●	●	●	●	●	●	●	●	-	-
	2	Only for faults or very short periods	II 3G	●	●	●	●	●	●	●	●	●	●	●	●	●
Presence of dust	20	Continuously or for long periods	II 1D													●
	21	Occasionally	II 2D													●
	22	Only for faults or very short periods	II 3D													●

(\*) Equipment that does not produce arcs, sparks or dangerous temperatures during normal operation (non sparking construction). Additional protection measures are applied, in order to provide increased safety with a higher safety factor, which must prevent the formation of arcs/sparks or the possibility of temperatures that could ignite the explosive mixture; this is made possible by a general oversizing of both insulating materials and the active electrical parts with respect to electrical constructions of normal industrial productions, which are already non-incendive.

(\*\*) Dust ingress protection and surface temperature limitation. The electrical components that could ignite an explosive atmosphere, high temperatures, sparks, etc. are housed in enclosures with a degree of protection IP6X; in zone 22 with non-conductive dust, degree of protection IP5X is permitted. Moreover, the external surface temperature of the equipment is kept lower than the maximum surface temperature.

The selection criteria are different depending on whether the equipment is intended for gas or for dust. If gas is present, the surface temperature of the electrical equipment must not be greater than the ignition temperature of the hazardous substance present (temperature classes from T1 to T6). If dust is present, the minimum ignition temperature is defined for a layer with a thickness of 5 mm (chart) for each type of dust. The maximum surface temperature (T) of the equipment must not exceed the lower value between  $T_{max} = (2/3) T_{ignition}$  and  $T_{max} = T_{5mm} - 75$  (where 75 K = safety margin).

E.g. Markings



**Certified:**  
**IMQ09 ATEX037U**  
**Conformity:**  
**Ex II 2G - Ex e IIC Gb**  
**Ex II 2GD - Ex tb IIIC Db**



## THE MECHANICAL STRENGTH OF THE MATERIALS (STEEL AND ALLOYS) USED FOR THE PRODUCTS

### LOW-CARBON STEEL

Suitable for all types of cold forming and heat-mechanical treatments. To increase chemical resistance it is subjected to surface treatments

Surface treatment  
GALVANIZING  
PAINTING

### HSLA HIGH-STRENGTH LOW-ALLOY STEEL

Excellent for all types of cold forming and heat-mechanical treatments. Perfect for structural support elements

Surface treatment  
GALVANIZING  
PAINTING

### STAINLESS STEEL

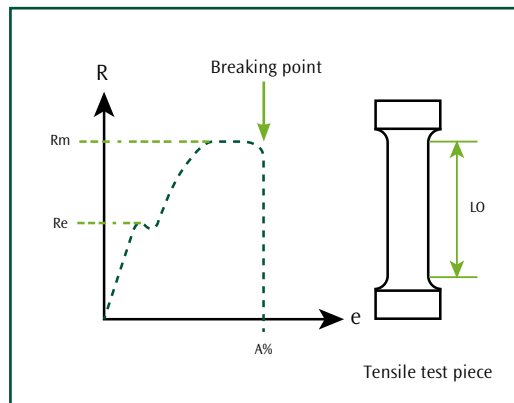
Insensitivity to low temperatures, high fire resistance, greater mechanical strength. Hygiene, sturdiness, UV ray resistance, conductivity for earthing. High corrosion resistance. Weather resistance, UV rays stability

Surface treatment  
2B + Scotch Brite® finish  
+ Protective PVC cover  
PAINTING (optional)

### ALUMINIUM ALLOY

High corrosion resistance, high thermal and electrical, excellent ductility and malleability, low radiant power

Surface treatment  
ANODIZING  
PAINTING



#### Re is the minimum yield strength of steel

As long as the service stresses do not exceed this value, the element stressed by the action returns to the initial state at the end of the action.

#### Rm is the tensile strength at break

This data is not directly used in calculating the strength of metal building material. This characteristic is taken into account, in particular, to determine the fatigue strength of the metal elements subjected to cyclic loads.

DC01

Re= 280 N/mm<sup>2</sup>

Rm=270-410 N/mm<sup>2</sup>

HSLA260

Re= 330 N/mm<sup>2</sup>

Rm =350-430 N/mm<sup>2</sup>

AISI304L

Re= 500-700 N/mm<sup>2</sup>

Rm=295-326 N/mm<sup>2</sup>

AlMg3

Re=224 N/mm<sup>2</sup>

Rm=132 N/mm<sup>2</sup>

e nux

High-yield strength steel HSLA260, widely used in the automotive industry and selected for manufacturing the E NUX cabinet structure, offers a higher degree of mechanical strength compared to traditional steels and is particularly suited for structures subject to stress and strain or shock. The guarantee of minimum yield value already at the time of supply (i.e. higher yield and greater tensile strength), makes it possible to act on the thickness of the material, while maintaining the mechanical properties and structural safety, ensuring high levels of performance.

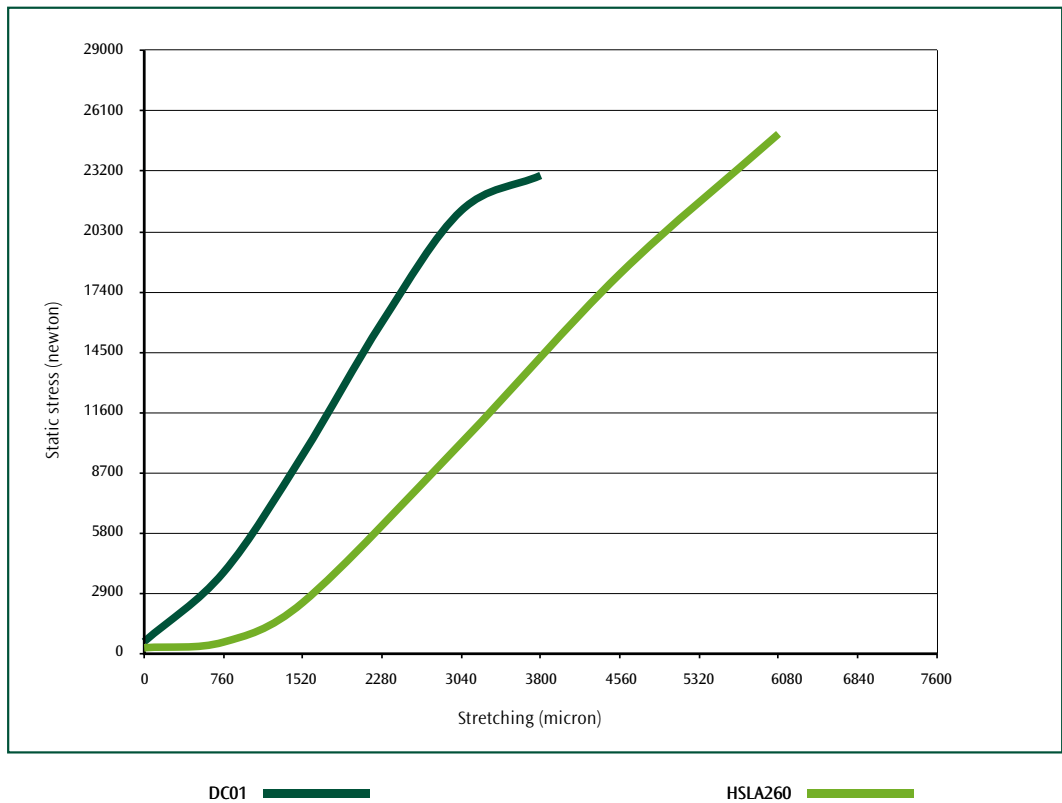


### STATIC AND DYNAMIC LIFTING TEST



Carried out with the certification body TÜV Rheinland

### TENSILE STRENGTH TESTS





## EMC - ELECTROMAGNETIC COMPATIBILITY (DIRECTIVE 2014/30/UE)

The “Electromagnetic compatibility” Directive concerns components that emit electromagnetic (EM) waves. Our products - as they are not EM wave sources - are not subject to the above EMC Directive, however they can provide a barrier for the EM waves that propagate from internal and external sources. This allows a significant reduction of the intensity of these EM waves and, accordingly, the disturbance that they cause to equipment installed within the assembly. The standard cabinet made of painted steel is able to provide an average attenuation of EM waves taking advantage of its conductivity characteristics and, in addition, through the equipotential earthing of the different components (plate, panels, door, structure).

In particular, the EMC cabinet, thanks to its unique structural characteristics listed below, can SIGNIFICANTLY reduce the intensity of the electromagnetic field in the electric and the magnetic component, and thus provide appropriate support to the customer in complying with the Electromagnetic Compatibility Directive.

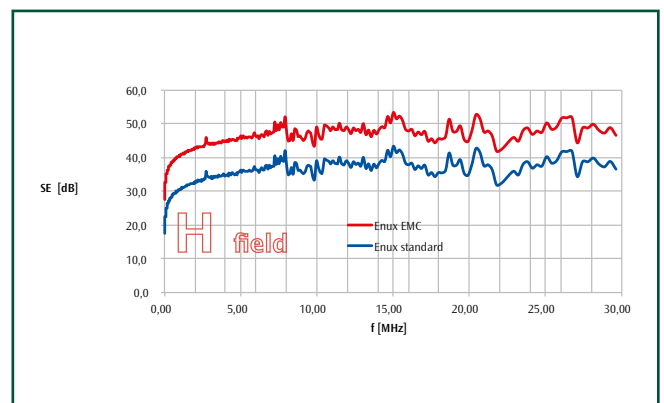
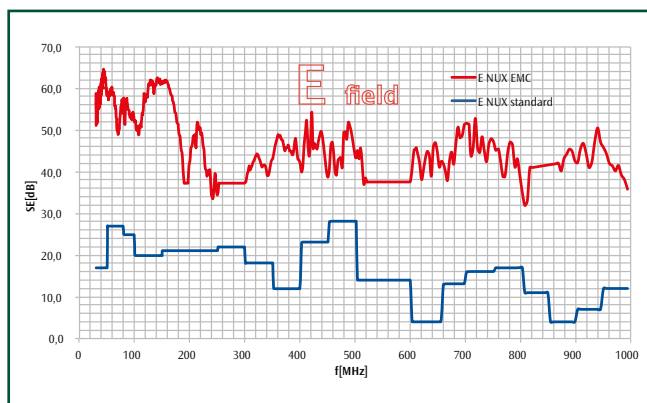
EMC testing is not required when:

- the assembly does not contain electrical equipment
- the installed electronic equipment is CE-marked.

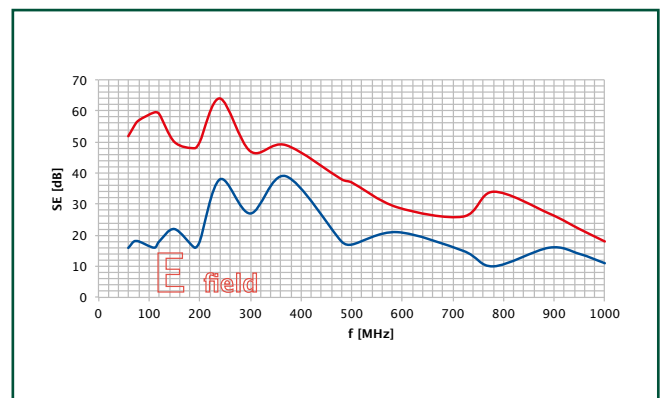
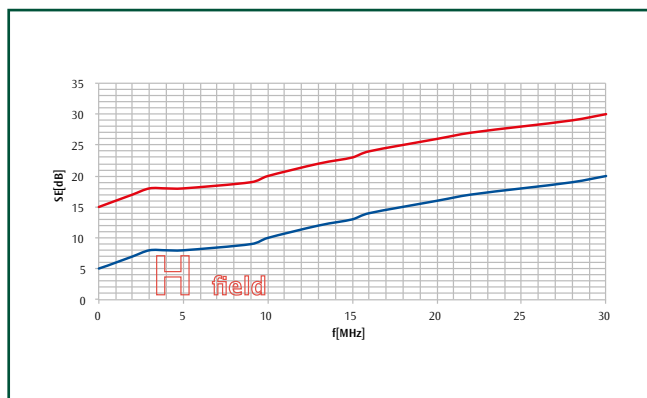
Stainless steel cabinets can also effectively reduce electromagnetic waves.

The tests on the EMC version of ETA products are conducted at the NEMKO laboratory complying with EN61000-5-7.

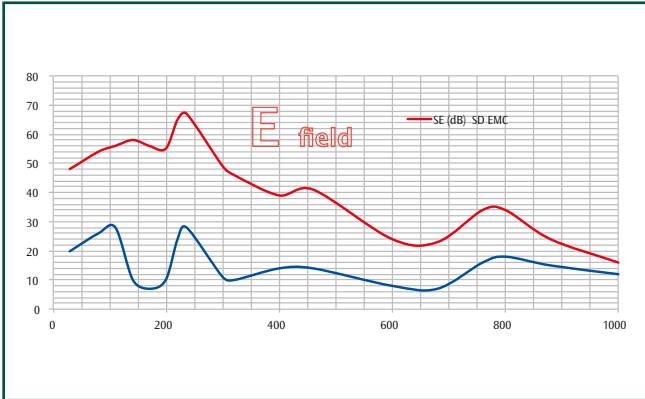
Cabinet E NUX (EMC vs. standard)



ST wall mounting boxes (EMC vs. standard)



SD terminal boxes (EMC vs. standard)



**Legend for charts:**

- 1 Refer to a range of frequencies used (shown on the horizontal axis).
- 2 Read the corresponding attenuation range on the vertical axis. This value in decibels represents the difference of the field value without a barrier (free field) and with a barrier.



# ALPHABETICAL INDEX

CODE	PAGE	CODE	PAGE	CODE	PAGE	CODE	PAGE
086 15 01 001	83	AEP0530	154	B60010	282	BP6060150	282
086 15 01 002	83	AEP0531	154	B60011	282	BP6060200	282
086 15 01 003	83	AEP0540	154	B70001	283	BP606025	282
086 15 01 004	83	AEP0541	154	B70002	283	BP6060300	282
086 15 01 005	83	AEP0542	154	B70003	283	BP606050	282
086 15 01 006	83	AEP0543	154	B70004	283	BP606075	282
086 15 02 001	83	AERC241200	146	B70005	283	BP7090100	284
086 15 02 002	83	AERC291400	146	B70006	283	BP7090100B	284
086 15 02 003	83	AERC331600	146	B70007	283	BP7090113	284
086 15 02 004	83	AERC381800	146	B70008	283	BP7090125	284
086 15 02 005	83	AERC422000	146	B70009	283	BP7090138	284
086 15 02 006	83	AERC472200	146	B70010	283	BP7090150	284
086 15 02 007	83	AERL241200	146	B70011	283	BP7090175	284
086 15 02 008	83	AERL291400	146	B70012	283	BP7090200	284
086 20 03 001	83	AERL331600	146	B70013	283	BP7090200B	284
086 20 03 002	83	AERL381800	146	B70014	283	BP709025	284
086 20 03 003	83	AERL422000	146	B70015	283	BP709038	284
086 20 03 004	83	AERL472200	146	B70016	283	BP709050	284
086 20 03 005	83	AEX1-23	232	B70017	283	BP709063	284
086 20 03 006	83	AEX1-64	232	B70018	283	BP709075	284
086 20 03 007	83	AEX6-01	232	B70019	283	BP709088	284
086 20 04 001	83	AEX8-02	232	B70020	283	BP8080100	282
086 20 04 002	83	ATZE-A100	177	B70021	283	BP8080125	282
086 20 04 003	83	ATZE-A200	177	B70022	283	BP8080150	282
086 20 04 004	83	ATZE-T0300S	177	B80001	282	BP8080200	282
086 20 04 005	83	ATZE-T0400A	177	B80002	282	BP808025	282
086 20 04 006	83	ATZE-T0600	177	B80003	282	BP8080300	282
086 20 04 007	83	ATZE-T0800	177	B80004	282	BP808050	282
AE123	192	ATZE-T1000	177	B80005	282	BP808075	282
AE1235	192	ATZE-T1200	177	B80006	282	BQAA0500	279
AE164	192	B45001	281	B80007	282	BQAA0750	279
AE1645	192	B45002	281	B80008	282	BQAA1000	279
AE601	192	B45003	281	B80009	282	BQAA1500	279
AE802	192	B45004	281	B80010	282	BQB001	289
AE8025	192	B45005	281	B80011	282	BQB002	289
AEMK150800	252	B45006	281	B9805062	282	BQBA-001	285
AEMK241200	146	B45007	281	B9805063	282	BQBA-001	286
AEMK241200	252	B45008	281	B9805129	282	BQBA-002	285
AEMK291400	146	B45009	281	B9805130	282	BQBA-002	286
AEMK291400	252	B45010	281	B9805132	282	BQBP-001	270
AEMK331600	146	B45011	281	B9805176	282	BQBP-002	270
AEMK381800	146	B45012	281	B9805177	282	BQBP-002	285
AEMK422000	146	B45013	281	B9805296000	284	BQBP-002	286
AEMK472200	146	B45014	281	B9806590000	284	BQC075	268
AEP0030	152	B45015	281	B9808012800	284	BQC130	268
AEP0040	152	B45016	281	B9808012900	284	BQC175	268
AEP0041	152	B45017	281	B9808014100	284	BQC230	268
AEP0070	147	B45018	281	B9808015300	284	BQC275	268
AEP0070	252	B50001	282	BKFK-001	274	BQC330	268
AEP0094	147	B50002	282	BP4560100	281	BQC375	268
AEP0095	147	B50003	282	BP4560125	281	BQC430	268
AEP0096	147	B50004	282	BP4560150	281	BQC475	268
AEP0097	147	B50005	282	BP4560200	281	BQE030	279
AEP0098	147	B50006	282	BP456025	281	BQE035	279
AEP0098	252	B50007	282	BP456050	281	BQEC0250	279
AEP0100	152	B50008	282	BP456075	281	BQEC0500	279
AEP0101	152	B50009	282	BP48100	284	BQEC0750	279
AEP0120	151	B50010	282	BP4825	284	BQEC1000	279
AEP0249	153	B50608001	282	BP4850	284	BQF010	278
AEP0250	153	B50608002	282	BP4875	284	BQF010	285
AEP0520	154	B50608003	282	BP5050100	282	BQFC001	280
AEP0521	154	B60001	282	BP5050125	282	BQFC002	280
AEP0522	154	B60002	282	BP5050150	282	BQFD-002	275
AEP0523	154	B60003	282	BP5050200	282	BQFK-001	270
AEP0524	154	B60004	282	BP505025	282	BQFR-001	270
AEP0525	154	B60005	282	BP5050300	282	BQGR-001	280
AEP0526	154	B60006	282	BP505050	282	BQJ040	280
AEP0527	154	B60007	282	BP505075	282	BQJ050	280
AEP0528	154	B60008	282	BP6060100	282	BQK075	269
AEP0529	154	B60009	282	BP6060125	282	BQK130	269



CODE	PAGE	CODE	PAGE	CODE	PAGE	CODE	PAGE
BQK175	269	BSTF4-420B	288	ECOMP81440	101	ECPM-080180X	225
BQK230	269	BSTF4-420F	288	ECOMP8-1440X	217	ECPO1-34X	226
BQKU-003	269	BSTF5-420B	288	ECOR10-1030X	221	ECPO1-45X	226
BQKU-003	275	BSTF5-420F	288	ECOR10-1230X	221	ECPO1-46X	226
BQLBP-001	274	BSTF5-520B	288	ECOR2-315EEX	223	ECPO1-57X	226
BQLBP-002	274	BSTF5-520F	288	ECOR2-315X	220	ECPO1-68X	226
BQLBP-002	285	BSTF6-620B	288	ECOR3-315EEX	223	ECPO1-810X	226
BQLBP-002	286	BSTF6-620F	288	ECOR3-315X	220	ECTT1-04X	226
BQLC075	272	BWE010	276	ECOR3-415EEX	223	ECTT1-05X	226
BQLC130	272	BWE030	276	ECOR3-415X	220	ECTT1-06X	226
BQLC175	272	BWE050	276	ECOR3-420EEX	223	ECTT2-05X	226
BQLC180	272	BWE060	276	ECOR3-420PVX	224	ECTT2-08X	226
BQLC230	272	BWE070	276	ECOR3-420X	220	EGRAN1-108X	228
BQLC275	272	BWE080	276	ECOR4-315EEX	223	EGRAN1-112X	228
BQLC280	272	BWE090	276	ECOR4-315X	220	EGRAN2-208X	228
BQLC330	272	BWE096	276	ECOR4-420EEX	223	EGRAN3-208X	228
BQLC375	272	BWE100	276	ECOR4-420X	220	EGRAN3-312X	228
BQLC380	272	BWE140	276	ECOR4-425EEX	223	EGRAN4-212X	228
BQLC430	272	BWE210	276	ECOR4-425X	220	EMOX061604PR	91
BQLC480	272	BWE260	276	ECOR4-515TX	230	EMOX-061604PRX	215
BQLFR-001	274	BWE268	276	ECOR4-520EEX	223	EMOX061604PV	91
BQLH-001	274	BWE273	276	ECOR4-520PVX	224	EMOX061804PR	91
BQLH-002	274	BWE278	276	ECOR4-520X	220	EMOX-061804PRX	215
BQLH-003	274	CR0645	156	ECOR4-620EEX	223	EMOX061804PV	91
BQLH-004	274	CR0655	156	ECOR4-620PVX	224	EMOX061805PR	91
BQLK075	273	CR0945	156	ECOR4-620TX	230	EMOX-061805PRX	215
BQLK130	273	CR0955	156	ECOR4-620X	220	EMOX061805PV	91
BQLKU-001	273	CR1245	156	ECOR4-625EEX	223	EMOX062004PR	91
BQLKU-004	273	CR1255	156	ECOR4-625X	220	EMOX-062004PRX	215
BQLKU-004	275	CR1545	156	ECOR5-520EEX	223	EMOX062004PV	91
BQLM-001	273	CR1555	156	ECOR5-520X	220	EMOX062005PR	91
BQLPR-001	274	CR1845	156	ECOR5-525EEX	223	EMOX-062005PRX	215
BQLRM-001	276	CR1855	156	ECOR5-525X	220	EMOX062005PV	91
BQLSK-001	276	CR2145	156	ECOR5-720EEX	223	EMOX081604PR	91
BQM-001	269	CR2155	156	ECOR5-720X	220	EMOX-081604PRX	215
BQPL-001	275	ECAV-040180X	225	ECOR5-725EEX	223	EMOX081604PV	91
BQPL-001	276	ECAV-060180X	225	ECOR5-725PVX	224	EMOX081804PR	91
BQPR-001	270	ECAV-060360X	225	ECOR5-725X	220	EMOX-081804PRX	215
BQPU-001	269	ECAV-080180X	225	ECOR5-730TX	230	EMOX081804PV	91
BQR011	279	ECAV-080360X	225	ECOR6-1230EEX	223	EMOX081805PR	91
BQR015	279	ECCP-00300	106	ECOR6-1230X	220	EMOX-081805PRX	215
BQRM-001	276	ECCP-00400	106	ECOR6-420EEX	223	EMOX081805PV	91
BQRU-001	275	ECDI-014040	225	ECOR6-420X	220	EMOX082004PR	91
BQRU-001	276	ECDI-025060	225	ECOR6-620EEX	223	EMOX-082004PRX	215
BQRU-002	276	ECDI-036080	225	ECOR6-620X	220	EMOX082004PV	91
BQSK-001	276	ECMI-040060X	225	ECOR6-625EEX	223	EMOX082005PR	91
BQSU-001	286	ECMI-060080X	225	ECOR6-625X	220	EMOX-082005PRX	215
BQSU-002	286	ECMI-080100X	225	ECOR6-630EEX	223	EMOX082005PV	91
BQWA-003	269	ECOMP101240	103	ECOR6-630X	220	EMOX101604PR	91
BQWA-003	270	ECOMP10-1240X	217	ECOR6-820EEX	223	EMOX101604PV	91
BQWA-003	272	ECOMP101430	103	ECOR6-820PVX	224	EMOX101804PR	91
BQWA-003	273	ECOMP10-1430X	217	ECOR6-820X	220	EMOX-101804PRX	215
BQWA-003	274	ECOMP101440	103	ECOR6-825EEX	223	EMOX101804PV	91
BQWA-003	275	ECOMP10-1440X	217	ECOR6-825PVX	224	EMOX101805PR	91
BST3-420B	287	ECOMP121240	103	ECOR6-825TX	230	EMOX101805PV	91
BST3-420F	287	ECOMP12-1240X	217	ECOR6-825X	220	EMOX102004PR	91
BST4-320B	287	ECOMP121430	103	ECOR6-830EEX	223	EMOX-102004PRX	215
BST4-320F	287	ECOMP12-1430X	217	ECOR6-830X	220	EMOX102004PV	91
BST4-420B	287	ECOMP121440	103	ECOR8-1025TX	230	EMOX102005PR	91
BST4-420F	287	ECOMP12-1440X	217	ECOR8-1030EEX	223	EMOX102005PV	91
BST5-420B	287	ECOMP61240	101	ECOR8-1030PVX	224	EMOX120804PR	95
BST5-420F	287	ECOMP6-1240X	217	ECOR8-1030TX	230	EMOX121004PR	95
BST5-520B	287	ECOMP61430	101	ECOR8-1030X	220	EMOX121604PR	93
BST5-520F	287	ECOMP6-1430X	217	ECOR8-1230EEX	223	EMOX121804PR	93
BST6-620B	287	ECOMP61440	101	ECOR8-1230TX	230	EMOX-121804PRX	215
BST6-620F	287	ECOMP6-1440X	217	ECOR8-1230X	220	EMOX121805PR	93
BSTF3-420B	288	ECOMP81240	101	ECOR8-830EEX	223	EMOX-121805PRX	215
BSTF3-420F	288	ECOMP8-1240X	217	ECOR8-830X	220	EMOX122004PR	93
BSTF4-320B	288	ECOMP81430	101	ECPM-040180X	225	EMOX-122004PRX	215
BSTF4-320F	288	ECOMP8-1430X	217	ECPM-060180X	225	EMOX122005PR	93

CODE	PAGE	CODE	PAGE	CODE	PAGE	CODE	PAGE
EMOX141004PR	95	ENUX061805PR	34	ENUX081804PV	35	ENUX101805PR	36
EMOX161004PR	95	ENUX-061805PRX	207	ENUX081804PV	117	ENUX-101805PRX	207
EMOX161804PR	93	ENUX061805PV	34	ENUX-081804PVX	208	ENUX101805PV	36
EMOX162004PR	93	ENUX061805PV	117	ENUX081804ST	109	ENUX-101805PVX	208
EMOX181004PR	95	ENUX-061805PVX	208	ENUX081805DP	35	ENUX101806DP	36
ENUX031604	43	ENUX061805ST	109	ENUX081805PR	35	ENUX101806PR	36
ENUX031605	43	ENUX061806DP	34	ENUX-081805PRX	207	ENUX-101806PRX	207
ENUX031606	43	ENUX061806PR	34	ENUX081805PV	35	ENUX101806PV	36
ENUX031804	43	ENUX061806PV	34	ENUX081805PV	117	ENUX-101806PVX	208
ENUX031805	43	ENUX061806PV	117	ENUX-081805PVX	208	ENUX101808DP	36
ENUX031806	43	ENUX061806ST	109	ENUX081805ST	109	ENUX101808PR	36
ENUX031808	43	ENUX061808DP	34	ENUX081806DP	35	ENUX101808PV	36
ENUX032004	43	ENUX061808PR	34	ENUX081806PR	35	ENUX102004DP	36
ENUX032005	43	ENUX061808PV	34	ENUX081806PV	35	ENUX102004PR	36
ENUX032006	43	ENUX061808PV	117	ENUX081806PV	117	ENUX102004PV	36
ENUX032008	43	ENUX061808ST	109	ENUX081806ST	109	ENUX102005DP	36
ENUX032205	43	ENUX062004DP	34	ENUX081808DP	35	ENUX102005PR	36
ENUX032206	43	ENUX062004PR	34	ENUX081808PR	35	ENUX-102005PRX	207
ENUX032208	43	ENUX062004PV	34	ENUX081808PV	35	ENUX-102005PRX	207
ENUX041604DP	33	ENUX062004PV	117	ENUX081808PV	117	ENUX102005PV	36
ENUX041604PR	33	ENUX062004ST	109	ENUX081808ST	109	ENUX-102005PVX	208
ENUX041605DP	33	ENUX062005DP	34	ENUX082004DP	35	ENUX102006DP	36
ENUX041605PR	33	ENUX062005PR	34	ENUX082004PR	35	ENUX102006PR	36
ENUX041606DP	33	ENUX-062005PRX	207	ENUX082004PV	35	ENUX-102006PRX	207
ENUX041606PR	33	ENUX062005PV	34	ENUX082004PV	117	ENUX102006PV	36
ENUX041804DP	33	ENUX062005PV	117	ENUX082004ST	109	ENUX-102006PVX	208
ENUX041804PR	33	ENUX-062005PVX	208	ENUX082005DP	35	ENUX102008DP	36
ENUX041805DP	33	ENUX062005ST	109	ENUX082005PR	35	ENUX102008PR	36
ENUX041805PR	33	ENUX062006DP	34	ENUX-082005PRX	207	ENUX102008PV	36
ENUX041806DP	33	ENUX062006PR	34	ENUX082005PV	35	ENUX102205DP	36
ENUX041806PR	33	ENUX-062006PRX	207	ENUX082005PV	117	ENUX102205PR	36
ENUX041808DP	33	ENUX062006PRZ	255	ENUX-082005PVX	208	ENUX102205PV	36
ENUX041808PR	33	ENUX062006PV	34	ENUX082005ST	109	ENUX102206DP	36
ENUX042004DP	33	ENUX062006PV	117	ENUX082006DP	35	ENUX102206PR	36
ENUX042004PR	33	ENUX-062006PVX	208	ENUX082006PR	35	ENUX102206PV	36
ENUX042005DP	33	ENUX062006ST	109	ENUX-082006PRX	207	ENUX102208DP	36
ENUX042005PR	33	ENUX062008DP	34	ENUX082006PRZ	255	ENUX102208PR	36
ENUX042006DP	33	ENUX062008PR	34	ENUX082006PV	35	ENUX102208PV	36
ENUX042006PR	33	ENUX062008PRZ	255	ENUX082006PV	117	ENUX121404DP	40
ENUX042008DP	33	ENUX062008PV	34	ENUX-082006PVX	208	ENUX121404PR	40
ENUX042008PR	33	ENUX062008PV	117	ENUX082006ST	109	ENUX121405DP	40
ENUX042205DP	33	ENUX062008ST	109	ENUX082008DP	35	ENUX121405PR	40
ENUX042205PR	33	ENUX062010PR	34	ENUX082008PR	35	ENUX121604DP	40
ENUX042206DP	33	ENUX062205DP	34	ENUX082008PRZ	255	ENUX121604PR	40
ENUX042206PR	33	ENUX062205PR	34	ENUX082008PV	35	ENUX121605DP	40
ENUX042208DP	33	ENUX062205PV	34	ENUX082008PV	117	ENUX121605PR	40
ENUX042208PR	33	ENUX062206DP	34	ENUX082008ST	109	ENUX121606DP	40
ENUX061404DP	34	ENUX062206PR	34	ENUX082010PR	35	ENUX121606PR	40
ENUX061404PR	34	ENUX062206PV	34	ENUX082205DP	35	ENUX121804DP	40
ENUX061404PV	34	ENUX062208DP	34	ENUX082205PR	35	ENUX121804PR	40
ENUX061405DP	34	ENUX062208PR	34	ENUX082205PV	35	ENUX-121804PRX	207
ENUX061405PR	34	ENUX062208PV	34	ENUX082206DP	35	ENUX121805DP	40
ENUX061405PV	34	ENUX081404DP	35	ENUX082206PR	35	ENUX121806DP	40
ENUX061604DP	34	ENUX081404PR	35	ENUX082206PV	35	ENUX121806PR	40
ENUX061604PR	34	ENUX081404PV	35	ENUX082208DP	35	ENUX121808DP	40
ENUX061604PV	34	ENUX081405DP	35	ENUX082208PR	35	ENUX121808PR	40
ENUX061605DP	34	ENUX081405PR	35	ENUX082208PV	35	ENUX122004DP	40
ENUX061605PR	34	ENUX081405PV	35	ENUX101604DP	36	ENUX122004PR	40
ENUX061605PV	34	ENUX081604DP	35	ENUX101604PR	36	ENUX122005DP	40
ENUX061606DP	34	ENUX081604PR	35	ENUX101604PV	36	ENUX122005PR	40
ENUX061606PR	34	ENUX081604PV	35	ENUX101605DP	36	ENUX-122005PRX	207
ENUX061606PV	34	ENUX081605DP	35	ENUX101605PR	36	ENUX122006DP	40
ENUX061804DP	34	ENUX081605PR	35	ENUX101605PV	36	ENUX122006PR	40
ENUX061804PR	34	ENUX081605PV	35	ENUX101606DP	36	ENUX-122006PRX	207
ENUX-061804PRX	207	ENUX081606DP	35	ENUX101606PR	36	ENUX122008DP	40
ENUX061804PV	34	ENUX081606PR	35	ENUX101606PV	36	ENUX122008PR	40
ENUX061804PV	117	ENUX081606PV	35	ENUX101804DP	36	ENUX122010PR	40
ENUX-061804PVX	208	ENUX081804DP	35	ENUX101804PR	36	ENUX122205DP	40
ENUX061804ST	109	ENUX081804PR	35	ENUX101804PV	36	ENUX122205PR	40
ENUX061805DP	34	ENUX-081804PRX	207	ENUX101805DP	36		

CODE	PAGE	CODE	PAGE	CODE	PAGE	CODE	PAGE
ENUX122206DP	40	EUAL161405FP	189	EUCN05020	263	EUDO-060010	121
ENUX122206PR	40	EUAL161405FR	189	EUCN05020C	263	EUDO-060015	110
ENUX122208DP	40	EUA020180	125	EUCN05020F	263	EUDO-060015	114
ENUX122208PR	40	EUA020200	125	EUCN10010	263	EUDO-060015	118
ENUX142004DP	40	EUA020220	125	EUCN10020	263	EUDO-060015	121
ENUX142004PR	40	EUA040015	125	EUCN100CC	264	EUDO-060025	110
ENUX142005DP	40	EUA040020	125	EUCN100CF	264	EUDO-060025	114
ENUX142005PR	40	EUA040025	125	EUCN100CO	266	EUDO-060025	118
ENUX142006DP	40	EUA040030	125	EUCN100RA	266	EUDO-060025	121
ENUX142006PR	40	EUA040040	125	EUCN20010	263	EUDO-060040	110
ENUX142008DP	40	EUA060015	125	EUCN20020	263	EUDO-060040	114
ENUX142008PR	40	EUA060020	125	EUCN200CC	264	EUDO-060040	118
ENUX161404DP	41	EUA060025	125	EUCN200CF	264	EUDO-060040	121
ENUX161404PR	41	EUA060030	125	EUCN200CO	265	EUDO-060050	110
ENUX161405DP	41	EUA060040	125	EUCN200CZ	262	EUDO-060050	114
ENUX161405PR	41	EUA080020	125	EUCN200PA	264	EUDO-060050	118
ENUX162004DP	41	EUA080030	125	EUCN200RA	265	EUDO-060050	121
ENUX162004PR	41	EUA080040	125	EUCN200RC	266	EUDO-060060	110
ENUX162005DP	41	EUCE-00180TR	145	EUCN200RS	265	EUDO-060060	114
ENUX162005PR	41	EUCE-180001	70	EUCN200RT	265	EUDO-060070	118
ENUX162006DP	41	EUCE-180001C	213	EUCN200TLA	264	EUDO-060070	121
ENUX162006PR	41	EUCE-180002	70	EUCN200TLB	264	EUDO-060080	110
ENUX162008DP	41	EUCE-180003	70	EUCR028060	145	EUDO-060080	114
ENUX162008PR	41	EUCE-180004	97	EUCR032060	145	EUDO-080010	110
EPPO1612	105	EUCE-180004	106	EUCR037060	145	EUDO-080010	114
EPPO1614	105	EUCE-180008C	219	EUCR041060	145	EUDO-080010	118
EPPO1812	105	EUCE-180009C	219	EUCR046060	145	EUDO-080010	121
EPPO1814	105	EUCM-4001525	128	EUD1-040140	72	EUDO-080015	110
ERAM3-315X	236	EUCM-4001535	128	EUD1-040160	72	EUDO-080015	114
ERAM4-315X	236	EUCM-4002025	128	EUD1-040180	72	EUDO-080015	118
ERAM4-415X	236	EUCM-4002035	128	EUD1-040200	72	EUDO-080015	121
ERAM6-415X	236	EUCM-4002525	128	EUD1-050140	72	EUDO-080025	110
ERCF-001X	238	EUCM-4002535	128	EUD1-050160	72	EUDO-080025	114
ERCF-010X	238	EUCM-4003025	128	EUD1-050180	72	EUDO-080025	118
ERCG-001X	238	EUCM-4003035	128	EUD1-050200	72	EUDO-080025	121
ERDF-001X	239	EUCM-4004025	128	EUD1-050220	72	EUDO-080040	110
ERDG-001XA	239	EUCM-4004035	128	EUD1-060160	72	EUDO-080040	114
ERDG-001XP	239	EUCM-6001525	128	EUD1-060180	72	EUDO-080040	118
ERI-0500X	237	EUCM-6001535	128	EUD1-060200	72	EUDO-080040	121
ERI-0750X	237	EUCM-6002025	128	EUD1-060220	72	EUDO-080050	110
ERI-1000X	237	EUCM-6002035	128	EUD1-080180	72	EUDO-080050	114
ERJ-030503X	237	EUCM-6002525	128	EUD1-080200	72	EUDO-080050	118
ERJ-050503X	237	EUCM-6002535	128	EUD1-080220	72	EUDO-080050	121
ERJ-070703X	237	EUCM-6003025	128	EUD2-050180	72	EUDO-080060	110
ERL-0305X	237	EUCM-6003035	128	EUD2-050200	72	EUDO-080060	114
ERL-0505X	237	EUCM-6004025	128	EUD2-060180	72	EUDO-080070	118
ERL-0705X	237	EUCM-6004035	128	EUD2-060200	72	EUDO-080070	121
ERPF-001X	238	EUCM-6006025	128	EUD2-080180	72	EUDO-080080	110
ERPG-001XA	238	EUCM-6006035	128	EUD2-080200	72	EUDO-080080	114
ERPG-001XP	238	EUCM-6008025	128	EUD3-050180	44	EUFC-040040	63
ERPS-001XA	239	EUCM-6008035	128	EUD3-050200	44	EUFC-040050	63
ERPS-001XP	239	EUCM-6010025	128	EUD3-060180	44	EUFC-040060	63
EUAL060140	189	EUCM-6010035	128	EUD3-060200	44	EUFC-040080	63
EUAL061404FP	189	EUCM-6012025	128	EUD3-080180	44	EUFC-060040	63
EUAL061404FR	189	EUCM-6012035	128	EUD3-080200	44	EUFC-060050	63
EUAL061405FP	189	EUCM-8003025	128	EUD4-050180	44	EUFC-060060	63
EUAL061405FR	189	EUCM-8003035	128	EUD4-050200	44	EUFC-060080	63
EUAL080140	189	EUCM-8004025	128	EUD4-060180	44	EUFC-080040	63
EUAL081404FP	189	EUCM-8004035	128	EUD4-060200	44	EUFC-080050	63
EUAL081404FR	189	EUCM-8006025	128	EUD4-080180	44	EUFC-080060	63
EUAL081405FP	189	EUCM-8006035	128	EUD4-080200	44	EUFC-080080	63
EUAL081405FR	189	EUCM-8008025	128	EUDM-040025	127	EUFC-100040	63
EUAL120140	189	EUCM-8008035	128	EUDM-040035	127	EUFC-100050	63
EUAL121404FP	189	EUCM-8010025	128	EUDM-060025	127	EUFC-100060	63
EUAL121404FR	189	EUCM-8010035	128	EUDM-060035	127	EUFC-100080	63
EUAL121405FP	189	EUCM-8012025	128	EUDM-080025	127	EUFC-120040	63
EUAL121405FR	189	EUCM-8012035	128	EUDM-080035	127	EUFC-120050	63
EUAL160140	189	EUCN05010	263	EUDO-060010	110	EUFC-120060	63
EUAL161404FP	189	EUCN05010C	263	EUDO-060010	114	EUFC-120080	63
EUAL161404FR	189	EUCN05010F	263	EUDO-060010	118	EUFI040140	57

CODE	PAGE	CODE	PAGE	CODE	PAGE	CODE	PAGE
EUF040160	57	EUKU-003	66	EUPA-040200	47	EUPD040140	126
EUF040180	57	EUKU-003	213	EUPA-040220	47	EUPD040160	126
EUF040180M	114	EUKU-005	67	EUPA-060140	47	EUPD040180	126
EUF040180M	124	EUKU-006	67	EUPA-060140	191	EUPD040200	126
EUF040200	57	EUKU-007	44	EUPA-060160	47	EUPD060015	126
EUF040200M	114	EUKU-008	66	EUPA-060180	47	EUPD060020	112
EUF040200M	124	EULC-040050	65	EUPA-060180	209	EUPD060020	126
EUF040220M	114	EULC-040060	65	EUPA-060200	47	EUPD060020M	112
EUF040220M	124	EULC-040080	65	EUPA-060200	209	EUPD060025	126
EUF050140	57	EULC-060050	65	EUPA-060220	47	EUPD060030	112
EUF050160	57	EULC-060060	65	EUPA-080140	47	EUPD060030	126
EUF050180	57	EULC-060080	65	EUPA-080140	191	EUPD060040	112
EUF050180M	114	EULC-080050	65	EUPA-080160	47	EUPD060040	126
EUF050180M	124	EULC-080060	65	EUPA-080180	47	EUPD060040M	112
EUF050200	57	EULC-080080	65	EUPA-080180	209	EUPD060050	112
EUF050200M	114	EULC-100050	65	EUPA-080200	47	EUPD060050	126
EUF050200M	124	EULC-100060	65	EUPA-080200	209	EUPD060060	112
EUF050220	57	EULC-100080	65	EUPA-080220	47	EUPD060060	126
EUF050220M	114	EULC-120050	65	EUPA-100160	47	EUPD060070	112
EUF050220M	124	EULC-120060	65	EUPA-100180	47	EUPD060080	112
EUF060160	57	EULC-120080	65	EUPA-100180	209	EUPD060080	126
EUF060180	57	EULE000600	115	EUPA-100200	47	EUPD060090	112
EUF060180M	114	EULE000800	115	EUPA-100200	209	EUPD060100	112
EUF060180M	124	EUMD001800	125	EUPA-100220	47	EUPD060100	126
EUF060200	57	EUMD002000	125	EUPA-120080	95	EUPD060120	112
EUF060200EMC	255	EUMD002200	125	EUPA-120100	95	EUPD060120	126
EUF060200M	114	EUME000600AL	190	EUPA-120140	47	EUPD060140	126
EUF060200M	124	EUME000800AL	190	EUPA-120140	191	EUPD060160	126
EUF060220	57	EUME001200AL	190	EUPA-120160	47	EUPD060180	126
EUF060220M	114	EUME001600AL	190	EUPA-120180	47	EUPD060200	126
EUF060220M	124	EUMI000800	97	EUPA-120180	209	EUPD080020	112
EUF080180	57	EUMI001000	97	EUPA-120200	47	EUPD080020M	112
EUF080180M	114	EUMI001600	97	EUPA-120200	209	EUPD080030	112
EUF080180M	124	EUMI001800	97	EUPA-120220	47	EUPD080030	126
EUF080200	57	EUMI002000	97	EUPA-140100	95	EUPD080040	112
EUF080200EMC	255	EUMT001800	109	EUPA-140200	47	EUPD080040	126
EUF080200M	114	EUMT001800	124	EUPA-160100	95	EUPD080040M	112
EUF080200M	124	EUMT001800	133	EUPA-160140	47	EUPD080050	112
EUF080220	57	EUMT001800	135	EUPA-160140	191	EUPD080060	112
EUF080220M	114	EUMT002000	109	EUPA-160200	47	EUPD080060	126
EUF080220M	124	EUMT002000	124	EUPA-180100	95	EUPD080070	112
EUF100200	57	EUMT002000	133	EUPC001CE	133	EUPD080080	112
EUF00400	59	EUMT002000	135	EUPC001CE	134	EUPD080080	126
EUF00500	59	EUMT002200	124	EUPC015PN	135	EUPD080090	112
EUF00600	59	EUP0080	149	EUPC061806CEC	133	EUPD080100	112
EUF00800	59	EUP0081	149	EUPC061808CEC	133	EUPD080100	126
EUF0110135	147	EUP0082	149	EUPC062006CEC	133	EUPD080120	112
EUF000500	65	EUP0083	149	EUPC062008CEC	133	EUPD080120	126
EUF000600	65	EUP0084	149	EUPC180C	135	EUPF040140	57
EUF000800	65	EUP0085	149	EUPC180PC	133	EUPF040160	57
EUF0040180	211	EUP0090	149	EUPC180PC	134	EUPF040180	57
EUF0050180	211	EUP0091	149	EUPC180PN	133	EUPF040200	57
EUF0050200	211	EUP0092	149	EUPC180PN	134	EUPF050140	57
EUF0060180	211	EUP0093	149	EUPC180PV	133	EUPF050160	57
EUF0060200	211	EUP0094	149	EUPC180PV	134	EUPF050180	57
EUKA-080060B	61	EUP0095	149	EUPC200C	135	EUPF050200	57
EUKA-080060M	61	EUP0130	149	EUPC200PC	133	EUPF050220	57
EUKA-080080B	61	EUP0131	149	EUPC200PC	134	EUPF060140	57
EUKA-080080M	61	EUP0132	149	EUPC200PN	133	EUPF060160	57
EUKA-082006S	61	EUP0133	149	EUPC200PN	134	EUPF060180	57
EUKA-082008S	61	EUP0134	149	EUPC200PV	133	EUPF060200	57
EUKF-001	114	EUP0135	149	EUPC200PV	134	EUPF060220	57
EUKM-001	79	EUP0140	149	EUPD040015	126	EUPF080180	57
EUKM-002	79	EUP0141	149	EUPD040020	126	EUPF080200	57
EUKM-003	79	EUP0142	149	EUPD040025	126	EUPF080220	57
EUKM-004	79	EUP0143	149	EUPD040030	126	EUPH060020	120
EUKU-001	67	EUP0144	149	EUPD040040	126	EUPH080020	120
EUKU-002	67	EUP0145	149	EUPD040050	126	EUPI060140	56
EUKU-002EMC	256	EUPA-040160	47	EUPD040060	126	EUPI060160	56
EUKU-002X	213	EUPA-040180	47	EUPD040120	126	EUPI060180	56

CODE	PAGE	CODE	PAGE	CODE	PAGE	CODE	PAGE
EUPI060200	56	EUPN000800	190	EUPS-080160	52	EUPV100200	36
EUPI060220	56	EUPN001200	190	EUPS-080180	52	EUPV100200	54
EUPI080140	56	EUPN-001400	52	EUPS-080200	52	EUPV100220	36
EUPI080160	56	EUPN001600	190	EUPS-080220	52	EUPV100220	54
EUPI080180	56	EUPN-001600	52	EUPS-100160	52	EUPZ-040040	50
EUPI080200	56	EUPN-001800	52	EUPS-100180	52	EUPZ-040050	50
EUPI080220	56	EUPN-002000	52	EUPS-100200	52	EUPZ-040060	50
EUPI100160	56	EUPN-002200	52	EUPS-100220	52	EUPZ-040070	50
EUPI100180	56	EUP0030160	43	EUPU-060020	113	EUPZ-040080	50
EUPI100200	56	EUP0030180	43	EUPU-060020	121	EUPZ-040090	50
EUPI100220	56	EUP0030200	43	EUPU-060030	113	EUPZ-040100	50
EUPIX-060180	211	EUP0030220	43	EUPU-060030	121	EUPZ-040110	50
EUPIX-060200	211	EUP0040160	33	EUPU-060040	113	EUPZ-040120	50
EUPIX-080180	211	EUP0040180	33	EUPU-060040	121	EUPZ-060050	50
EUPIX-080200	211	EUP0040200	33	EUPU-060050	113	EUPZ-060060	50
EUPIX-100180	211	EUP0040220	33	EUPU-060050	121	EUPZ-060070	50
EUPIX-100200	211	EUP0060140	34	EUPU-060060	113	EUPZ-060080	50
EUPL-040160	49	EUP0060140	189	EUPU-060060	121	EUPZ-060090	50
EUPL-040180	49	EUP0060160	34	EUPU-060070	113	EUPZ-060100	50
EUPL-040200	49	EUP0060180	34	EUPU-060070	121	EUPZ-060110	50
EUPL-040220	49	EUP0060180	133	EUPU-060080	113	EUPZ-060120	50
EUPL-060140	49	EUP0060200	34	EUPU-060080	121	EUPZ-080050	50
EUPL-060160	49	EUP0060200	133	EUPU-060090	113	EUPZ-080070	50
EUPL-060180	49	EUP0060200AV	153	EUPU-060100	113	EUPZ-080080	50
EUPL-060180	210	EUP0060220	34	EUPU-060120	113	EUPZ-080090	50
EUPL-060200	49	EUP0080140	35	EUPU-080020	113	EUPZ-080100	50
EUPL-060200	210	EUP0080140	189	EUPU-080020	121	EUPZ-080110	50
EUPL-060220	49	EUP0080160	35	EUPU-080030	113	EUPZ-080120	50
EUPL-080140	49	EUP0080180	35	EUPU-080030	121	EUPZ-100050	50
EUPL-080160	49	EUP0080200	35	EUPU-080040	113	EUPZ-100070	50
EUPL-080180	49	EUP0080200AV	153	EUPU-080040	121	EUPZ-100090	50
EUPL-080180	210	EUP0080220	35	EUPU-080050	113	EUPZ-100100	50
EUPL-080200	49	EUP0100160	36	EUPU-080050	121	EUPZ-100110	50
EUPL-080200	210	EUP0100160DP	36	EUPU-080060	113	EUPZ-100120	50
EUPL-080220	49	EUP0100180	36	EUPU-080060	121	EUPZ-120050	50
EUPL-100160	49	EUP0100180DP	36	EUPU-080070	113	EUPZ-120070	50
EUPL-100180	49	EUP0100200	36	EUPU-080070	121	EUPZ-120090	50
EUPL-100180	210	EUP0100200DP	36	EUPU-080080	113	EUPZ-120110	50
EUPL-100200	49	EUP0100220	36	EUPU-080080	121	EUPZ-120120	50
EUPL-100200	210	EUP0100220DP	36	EUPU-080090	113	EURE030160	43
EUPL-100220	49	EUP0120140	40	EUPU-080100	113	EURE030180	43
EUPL-120140	49	EUP0120140	189	EUPU-080120	113	EURE030200	43
EUPL-120160	49	EUP0120160	40	EUPV060140	34	EURE030220	43
EUPL-120180	49	EUP0120180	40	EUPV060140	54	EURE040160	33
EUPL-120180	210	EUP0120200	40	EUPV060160	34	EURE040180	33
EUPL-120200	49	EUP0120220	40	EUPV060160	54	EURE040200	33
EUPL-120200	210	EUP0140200	40	EUPV060180	34	EURE040220	33
EUPL-120220	49	EUP0160140	41	EUPV060180	54	EURE060140	34
EUPL-140200	49	EUP0160140	189	EUPV060180	117	EURE060140	189
EUPL-160140	49	EUP0160200	41	EUPV060200	34	EURE060160	34
EUPL-160200	49	EUPR-060060	51	EUPV060200	54	EURE060180	34
EUPM060020	120	EUPR-060080	51	EUPV060200	117	EURE060180	109
EUPM060020M	120	EUPR-060080	191	EUPV060220	34	EURE060180	117
EUPM060030	120	EUPR-060120	51	EUPV060220	54	EURE060200	34
EUPM060040	120	EUPR-080060	51	EUPV080140	35	EURE060200	109
EUPM060040M	120	EUPR-080080	51	EUPV080140	54	EURE060200	117
EUPM060050	120	EUPR-080080	191	EUPV080160	35	EURE060220	34
EUPM060060	120	EUPR-080120	51	EUPV080160	54	EURE080140	35
EUPM060070	120	EUPR-120080	191	EUPV080180	35	EURE080140	189
EUPM060080	120	EUPR-160080	191	EUPV080180	54	EURE080160	35
EUPM080020	120	EUPS-040160	52	EUPV080180	117	EURE080180	35
EUPM080020M	120	EUPS-040180	52	EUPV080200	35	EURE080180	109
EUPM080030	120	EUPS-040200	52	EUPV080200	54	EURE080180	117
EUPM080040	120	EUPS-040220	52	EUPV080200	117	EURE080200	35
EUPM080040M	120	EUPS-060140	52	EUPV080220	35	EURE080200	109
EUPM080050	120	EUPS-060160	52	EUPV080220	54	EURE080200	117
EUPM080060	120	EUPS-060180	52	EUPV100160	36	EURE080220	35
EUPM080070	120	EUPS-060200	52	EUPV100160	54	EURE100160	36
EUPM080080	120	EUPS-060220	52	EUPV100180	36	EURE100180	36
EUPN000600	190	EUPS-080140	52	EUPV100180	54	EURE100200	36

CODE	PAGE	CODE	PAGE	CODE	PAGE	CODE	PAGE
EURE100220	36	EUSV-010090	113	EUTF060050	109	EUTP060180	73
EURE120140	40	EUSV-010100	113	EUTF060050	117	EUTP060200	73
EURE120140	189	EUSV-010120	113	EUTF060050	189	EUTP080180	73
EURE120160	40	EUSV-015020	113	EUTF060060	34	EUTP080200	73
EURE120180	40	EUSV-015030	113	EUTF060060	109	EUTP100180	73
EURE120200	40	EUSV-015040	113	EUTF060060	117	EUTP102000	73
EURE120220	40	EUSV-015050	113	EUTF060060	133	EUTP120180	73
EURE140180	124	EUSV-015060	113	EUTF060080	34	EUTP122000	73
EURE140200	40	EUSV-015070	113	EUTF060080	109	EUTR0004	144
EURE140200	124	EUSV-015080	113	EUTF060080	117	EUTR0008	144
EURE140220	124	EUSV-015090	113	EUTF060080	133	EUTR0013	144
EURE160140	41	EUSV-015100	113	EUTF080040	35	EUTR0017	144
EURE160140	189	EUSV-015120	113	EUTF080040	109	EUTR-001KIT	145
EURE160180	124	EUSV-025020	113	EUTF080040	117	EUTR0022	144
EURE160200	41	EUSV-025030	113	EUTF080040	189	EUTR0026	144
EURE160200	124	EUSV-025040	113	EUTF080050	35	EUTR-002KIT	145
EURE160220	124	EUSV-025050	113	EUTF080050	109	EUTR0031	144
EURI000365	148	EUSV-025060	113	EUTF080050	117	EUTR0035	144
EURI000465	148	EUSV-025070	113	EUTF080050	189	EUTR-003KIT	145
EURI000500SM	149	EUSV-025080	113	EUTF080060	35	EUTR0040	144
EURI000565	148	EUSV-025090	113	EUTF080060	109	EUTR0044	144
EURI000665	148	EUSV-025100	113	EUTF080060	117	EUTS000600	144
EURI000765	148	EUSV-025120	113	EUTF080080	35	EUTS000800	144
EURI020300	148	EUSV-035020	113	EUTF080080	109	EUTT080060	63
EURI020400	148	EUSV-035030	113	EUTF080080	117	EUTT080080	63
EURI020500	148	EUSV-035040	113	EUTF100040	36	EUVC040050	65
EURI020600	148	EUSV-035050	113	EUTF100050	36	EUVC040060	65
EURL001	75	EUSV-035060	113	EUTF100060	36	EUVC040080	65
EURP021805	44	EUSV-035070	113	EUTF100080	36	EUVC060050	65
EURP022006	44	EUSV-035080	113	EUTF120040	40	EUVC060060	65
EURP031805	44	EUSV-035090	113	EUTF120040	189	EUVC060080	65
EURP031806	44	EUSV-035100	113	EUTF120050	40	EUVC080050	65
EURP031808	44	EUSV-035120	113	EUTF120050	189	EUVC080060	65
EURP032005	44	EUTA0004C	144	EUTF120060	40	EUVC080080	65
EURP032006	44	EUTA0004D	144	EUTF120080	40	EUVC100050	65
EURP032008	44	EUTA0008C	144	EUTF140040	40	EUVC100060	65
EUSA000400	151	EUTA0008D	144	EUTF140040M	124	EUVC100080	65
EUSA000500	151	EUTA0013C	144	EUTF140050	40	EUVC120050	65
EUSA-000600	121	EUTA0013D	144	EUTF140050M	124	EUVC120060	65
EUSA-000800	121	EUTA0017C	144	EUTF140060	40	EUVC120080	65
EUSM060180	117	EUTA0017D	144	EUTF140060M	124	EUWA-001	150
EUSM060200	117	EUTA0022C	144	EUTF140080	40	EUWA-002	150
EUSM080180	117	EUTA0022D	144	EUTF140080M	124	EUZ3-040040	59
EUSM080200	117	EUTA0026C	144	EUTF160040	41	EUZ3-040050	59
EUSO-000400B	126	EUTA0026D	144	EUTF160040	189	EUZ3-040060	59
EUSO-000400C	126	EUTA0031C	144	EUTF160040M	124	EUZ3-040080	59
EUSO-000600B	126	EUTA0031D	144	EUTF160050	41	EUZ3-060040	59
EUSO-000600C	113	EUTA0035C	144	EUTF160050	189	EUZ3-060050	59
EUSO-000600C	126	EUTA0035D	144	EUTF160050M	124	EUZ3-060060	59
EUSO-000800B	126	EUTA0040C	144	EUTF160060	41	EUZ3-060080	59
EUSO-000800C	113	EUTA0040D	144	EUTF160060M	124	EUZ3-080040	59
EUSO-000800C	126	EUTA0044C	144	EUTF160080	41	EUZ3-080050	59
EUSS-060060	83	EUTA0044D	144	EUTF160080M	124	EUZ3-080060	59
EUSS-060080	83	EUTC-000500	295	EUTG000400	128	EUZ3-080080	59
EUSS-060100	83	EUTC-000600	295	EUTG-000400L	127	EUZ3-100040	59
EUSS-080060	83	EUTC-000800	295	EUTG000500	128	EUZ3-100050	59
EUSS-080080	83	EUTC-001000	295	EUTG-000500L	127	EUZ3-100060	59
EUSS-080100	83	EUTF030040	43	EUTG000600	128	EUZ3-100080	59
EUSS-100060	83	EUTF030050	43	EUTG-000600L	127	EUZ3-120040	59
EUSS-100080	83	EUTF030060	43	EUTG000800	128	EUZ3-120050	59
EUSS-100100	83	EUTF030080	43	EUTG-000800L	127	EUZ3-120060	59
EUST-001	83	EUTF040040	33	EUTL-000250	127	EUZ3-120080	59
EUST-002	83	EUTF040050	33	EUTL-000350	127	EUZE-A100	58
EUSV-010020	113	EUTF040060	33	EUTM000400	129	EUZE-A100	96
EUSV-010030	113	EUTF040080	33	EUTM000500	129	EUZE-A100	104
EUSV-010040	113	EUTF060040	34	EUTM000600	129	EUZE-A100	191
EUSV-010050	113	EUTF060040	109	EUTM000800	129	EUZE-A100	195
EUSV-010060	113	EUTF060040	117	EUTO-000600	83	EUZE-A100	197
EUSV-010070	113	EUTF060040	189	EUTO-000800	83	EUZE-A100	199
EUSV-010080	113	EUTF060050	34	EUTO-001000	83	EUZE-A200	58



CODE	PAGE	CODE	PAGE	CODE	PAGE	CODE	PAGE
EUZE-A200	96	EUZV	60	EVPA-060140	250	PEX8-02	233
EUZE-A200	104	EUZX-A100	212	EVPA-080080	250	SBA001	196
EUZE-A200	191	EUZX-A200	212	EVPA-080120	250	SBA201	196
EUZE-A200	195	EUZX-L0600	212	EVPA-080140	250	SBA601	196
EUZE-A200	197	EUZX-L0600M	218	EVPA-120080	250	SBA801	196
EUZE-A200	199	EUZX-L0600M	219	EVPA-120120	250	SDF3212	179
EUZE-FA001	262	EUZX-L0600M	227	EVPA-120140	250	SDF3312	179
EUZE-FB001	262	EUZX-L0600M	235	EVZE-T0400A	251	SDF4212	179
EUZE-FC001	262	EUZX-L0800	212	EVZE-T0500A	251	SDF4312	179
EUZE-T0300	58	EUZX-L0800M	218	EVZE-T0600A	251	SDF4412	179
EUZE-T0300S	104	EUZX-L0800M	219	EVZE-T0800A	251	SDF5212	179
EUZE-T0400	58	EUZX-L0800M	227	EVZE-T1200A	251	SDF5312	179
EUZE-T0400B	197	EUZX-L0800M	235	FPST-001	173	SDF6212	179
EUZE-T0400C	104	EUZX-L1000	212	KIT IP>55	62	SDF6312	179
EUZE-T0400C	195	EUZX-L1000M	218	KIT NEMA 4/4X	62	SDF6412	179
EUZE-T0400C	199	EUZX-L1000M	219	LE123	193	SDF8212	179
EUZE-T0400M	96	EUZX-L1000M	227	LE1235	193	SDF8412	179
EUZE-T0400T	191	EUZX-L1000M	235	LE164	193	SDP2208	182
EUZE-T0500	58	EUZX-L1200	212	LE1645	193	SDP2212	182
EUZE-T0500B	195	EUZX-L1200M	218	LE601	193	SDP2308	182
EUZE-T0500M	96	EUZX-L1200M	219	LE802	193	SDP2312	182
EUZE-T0500T	191	EUZX-L1200M	235	LE8025	193	SDP2408	182
EUZE-T0600	58	EUZX-L1600M	235	LEX1-23	233	SDP2412	182
EUZE-T0600	96	EUZX-P0300P	219	LEX1-64	233	SDP2512	182
EUZE-T0600	104	EUZX-P0300P	227	LEX6-01	233	SDP3312	182
EUZE-T0600	191	EUZX-P0300PD	219	LEX8-02	233	SDP3412	182
EUZE-T0600	195	EUZX-P0300PD	227	MDCO-TR250	151	SDPA-11	183
EUZE-T0600	197	EUZX-P0400	212	MDSD-CU6X6	151	SDPA-11	228
EUZE-T0600	199	EUZX-P0400M	218	MDST4200	169	SDPA-22	183
EUZE-T0600CN1	261	EUZX-P0400M	235	MDST4300	169	SDPA-22	228
EUZE-T0600CN2	261	EUZX-P0400MD	218	MDST4400	169	SDPA-31	183
EUZE-T0600V	152	EUZX-P0400MD	235	MDST4500	169	SDPA-32	183
EUZE-T0800	58	EUZX-P0400P	219	MDST4600	169	SDPA-32	228
EUZE-T0800	96	EUZX-P0400PD	219	MDST61000	169	SDPA-33	183
EUZE-T0800	104	EUZX-P0500	212	MDST61200	169	SDPA-33	228
EUZE-T0800	191	EUZX-P0500M	218	MDST6200	169	SDPA-42	183
EUZE-T0800	195	EUZX-P0500MD	218	MDST6600	169	SDPA-42	228
EUZE-T0800	197	EUZX-P0600	212	MDST6800	169	SDPA-43	183
EUZE-T0800	199	EUZX-T0400	212	MDWA-025	120	SDPA-44	183
EUZE-T0800CN1	261	EUZX-T0500	212	ME123	194	SDPA-52	183
EUZE-T0800CN2	261	EUZX-T0600	212	ME1235	194	SDPA-53	183
EUZE-T0800V	152	EUZX-T0800	212	ME164	194	SDPA-62	183
EUZE-T1000	58	EUZX-T1000	212	ME1645	194	SDPA-63	183
EUZE-T1000	96	EUZX-T1200	212	ME601	194	SDPA-64	183
EUZE-T1000	104	EVIS060804DA	249	ME802	194	SDPA-82	183
EUZE-T1000	197	EVIS060804SA	247	ME8025	194	SDPA-84	183
EUZE-T1000	199	EVIS061204DA	249	MEX1-23	234	SDV1108	178
EUZE-T1000CN1	261	EVIS061204SA	247	MEX1-64	234	SDV1112	178
EUZE-T1000CN2	261	EVIS061205DA	249	MEX6-01	234	SDV2208	178
EUZE-T1200	58	EVIS061205SA	247	MEX8-02	234	SDV2212	178
EUZE-T1200	96	EVIS061404DA	249	PA4-AE235	200	SDV3112	178
EUZE-T1200	104	EVIS061404SA	247	PA4-AE645	200	SDV3208	178
EUZE-T1200	191	EVIS080804DA	249	PA4-AE825	200	SDV3212	178
EUZE-T1200	195	EVIS080804SA	247	PA4-LE015	200	SDV3312	178
EUZE-T1200	197	EVIS081204DA	249	PA4-LE025	200	SDV4208	178
EUZE-T1200	199	EVIS081204SA	247	PA4-LE235	200	SDV4212	178
EUZE-T1200CN1	261	EVIS081205DA	249	PA4-LE645	200	SDV4312	178
EUZE-T1200CN2	261	EVIS081205SA	247	PE123	193	SDV4412	178
EUZE-T1400	58	EVIS081404DA	249	PE1235	193	SDV5208	178
EUZE-T1400	96	EVIS081404SA	247	PE164	193	SDV5212	178
EUZE-T1400CN1	261	EVIS120804DA	249	PE1645	193	SDV5312	178
EUZE-T1400CN2	261	EVIS120804SA	247	PE601	193	SDV6208	178
EUZE-T1600	58	EVIS121204DA	249	PE802	193	SDV6212	178
EUZE-T1600	96	EVIS121204SA	247	PE8025	193	SDV6312	178
EUZE-T1600	191	EVIS121205DA	249	PECF1235	200	SDV6412	178
EUZE-T1600	195	EVIS121205SA	247	PECF1645	200	SDV8208	178
EUZE-T1600CN1	261	EVIS121404DA	249	PECF8025	200	SDV8212	178
EUZE-T1600CN2	261	EVIS121404SA	247	PEX1-23	233	SDV8412	178
EUZE-T1800	96	EVPA-060080	250	PEX1-64	233	SDVE3312	256
EUZU	60	EVPA-060120	250	PEX6-01	233	SDVE5312	256

CODE	PAGE	CODE	PAGE	CODE	PAGE	CODE	PAGE
SDVX4212	180	ST5720EE	223	STPO1812	168	WA982	172
SDVX5312B	181	ST5725	163	STTR1103	157	WA990B	151
SDVX6212	180	ST5725EE	223	STTR1106	157	WC001	172
SDWA-005	183	ST61025	163	STTR1109	157	WC001C	172
SDWA-013	183	ST61025EE	223	STTR1112	157	WC002	172
SDWA-015	183	ST61030	163	STTR1115	157	WC002C	172
SDWA-020	183	ST61030EE	223	TL123	201	WC003	172
SDWA-025	183	ST61040	163	TL1235	201	WC003C	172
SDWA-030	183	ST61040EE	223	TL164	201	WC004	172
SDWA-035	183	ST61230	164	TL1645	201	WC004C	172
SDWA-040	183	ST61230EE	223	TL601	201	WC005	172
SDWC-010	105	ST6420	163	TL802	201	WC005C	172
SDWC-010	174	ST6420EE	223	TL8025	201	WC016A	174
SDWC-010	183	ST6430	163	TLX1-23	234	WC016B	174
SDWCX-010	219	ST6430EE	223	TLX1-64	234	WC016FL	175
SDWCX-010	227	ST6620	163	TLX6-01	234	WC018A	174
SHPA-16	229	ST6620EE	223	TLX8-02	234	WC018B	174
SHPA-22	229	ST6630	163	TR-01	60	WC018FL	175
SHPA-28	229	ST6630EE	223	TT104	171	WC019A	174
SHWCX-010	229	ST6640	163	TT105	171	WC019B	174
SHX1-109C	229	ST6640EE	223	TT106	171	WC019FL	175
SHX1-109F	229	ST6820	163	TT204	171	WC020A	174
SHX1-169C	229	ST6820EE	223	TT205	171	WC020B	174
SHX1-169F	229	ST6825	163	TT206	171	WC020FL	175
SHX1-229C	229	ST6825EE	223	TT208	171	WC022A	174
SHX1-229F	229	ST6830	163	WA050	75	WC022B	174
SHX1-289C	229	ST6830EE	223	WA060	172	WC022FL	175
SHX1-289F	229	ST6840	163	WA060	288	WC2665400	175
SPA001	201	ST6840EE	223	WA061X	227	WC2665404	175
SPA201	201	ST81030	163	WA106	154	WC2665406	176
SPA601	201	ST81030EE	223	WA107	154	WC2665407	176
SPA801	201	ST81040	163	WA108	154	WC2665408	176
ST101030	167	ST81040EE	223	WA115	150	WC2665409	176
ST101230	167	ST81230	164	WA115LB	150	WC2665410	176
ST10820	167	ST81230EE	223	WA116	150	WC2665411	176
ST10830	167	ST8630	167	WA116LB	150	WC2665412	176
ST121230	167	ST8830	163	WA117	150	WC2665413	176
ST2315	163	ST8830EE	223	WA117LB	150	WC2665414	176
ST2315EE	223	ST8840	163	WA118	150	WC2665415	176
ST3315	163	ST8840EE	223	WA118LB	150	WC2665416	176
ST3315EE	223	STE4420	256	WA119	150	WC2665417	176
ST3415	163	STE4620	256	WA119LB	150	WE001X	226
ST3415EE	223	STE6630	256	WA120	150	WE002X	226
ST3420	163	STP4320	165	WA120LB	150	WE010	171
ST3420EE	223	STP4420	165	WA121	150	WE010	202
ST3515	163	STP4520	165	WA121LB	150	WE020	171
ST3515EE	223	STP4525	165	WA122	150	WE021	202
ST3520	163	STP4620	165	WA122LB	150	WE030	171
ST3520EE	223	STP4625	165	WA123	150	WE030	202
ST4315	163	STP5720	165	WA123LB	150	WE040	171
ST4315EE	223	STP5725	165	WA124	150	WE040	202
ST4320	163	STP61025	165	WA124LB	150	WE050	171
ST4320EE	223	STP61030	165	WA125	150	WE050	202
ST4420	163	STP61230	165	WA125LB	150	WE060	171
ST4420EE	223	STP6420	165	WA126	150	WE060	202
ST4515	163	STP6430	165	WA126LB	150	WE070	171
ST4515EE	223	STP6620	165	WA218	69	WE070	202
ST4520	163	STP6630	165	WA250B	319	WE080	171
ST4520EE	223	STP6825	165	WA250VB	319	WE080	202
ST4525	163	STP6830	165	WA255B	319	WE160	170
ST4525EE	223	STP81030	165	WA385	78	WE160	171
ST4620	163	STP81230	165	WA-400	201	WE160	202
ST4620EE	223	STPO145	168	WA-410	201	WE165	170
ST4625	163	STPO146	168	WA-430	201	WE170	170
ST4625EE	223	STPO157	168	WA-440	201	WE170	171
ST4640	163	STPO1610	168	WA-450	201	WE170	202
ST4640EE	223	STPO1612	168	WA977	128	WE180	171
ST5520	163	STPO164	168	WA978	128	WE180	202
ST5520EE	223	STPO168	168	WA980	172	WE190	171
ST5720	163	STPO1810	168	WA981	172	WE190	202



CODE	PAGE	CODE	PAGE	CODE	PAGE	CODE	PAGE
WE200	170	WI271	322	WICDU9011CW	297	WISW1250400CW	315
WE200	171	WI273	322	WICDU9023CW	294	WISW1750230CW	315
WE200	202	WI274	322	WICDU9023CW	297	WISW1750400CW	315
WE209	202	WI277	323	WICE10040CW	303	WISW220115CW	315
WE210	170	WI279	323	WICE5840CW	303	WISW220115CWH	315
WE210	171	WI280	324	WICE8040CW	303	WISW220230CW	315
WE210	202	WI282	325	WICT1423CW	307	WISW220230CWH	315
WE235	170	WI284	325	WICT1423CW	308	WISW2500230CW	315
WE240	170	WI286	326	WICT1440CW	307	WISW310115CW	315
WE250	170	WI290	324	WICT1440CW	308	WISW310230CW	315
WE250V	170	WI7035	78	WICT2023CW	307	WISW670230CW	315
WE251	202	WICA1623CW	310	WICT2023CW	309	WISW87115CW	315
WE255	170	WICA1623CW	311	WICT2040CW	307	WISW87230CW	315
WE255	202	WICA1623CW	312	WICT2040CW	309	WLDI-001	153
WE260	170	WICA2223CW	310	WICT2723CW	307	WP12050EC	258
WE260	202	WICA2223CW	311	WICT2740CW	307	WP12050EL	258
WE263	170	WICA2223CW	312	WICT3311CW	307	WP12065EC	258
WE263	202	WICA4040CW	310	WICT3323CW	307	WP12065EL	258
WE265	170	WICA4040CW	311	WICT3823CW	307	WP17105EC	258
WE265	202	WICA4040CW	313	WICT3840CW	307	WP17105EL	258
WE268	170	WICA4123CW	310	WICT5240CW	307	WP17105X2	257
WE268	202	WICA4123CW	311	WICT6023CW	307	WP17105X4	257
WE270	170	WICA4123CW	313	WICT6040CW	307	WP20150EC	258
WE270	202	WICA9023CW	310	WICT9023CW	307	WP20150EL	258
WE273	170	WICA9023CW	311	WICTI1011CW	307	WP20150X2	257
WE273	202	WICD1123CW	294	WICTU1023CW	307	WP20150X4	257
WE275	170	WICD1123CW	298	WICTU1411CW	307	WP25205EC	258
WE275	202	WICD1140CW	294	WICTU1411CW	308	WP25205EL	258
WE278	170	WICD1140CW	298	WICTU1423CW	307	WP25205X2	257
WE278	202	WICD1540CW	294	WICTU1423CW	308	WP25205X4	257
WE285	171	WICD1540CW	299	WICTU3823CW	307	WP32255EC	258
WE288	171	WICD1623CW	294	WICTU5011CW	307	WP32255EL	258
WE300	170	WICD1623CW	299	WICTU5023CW	307	WP32255X2	257
WE305	170	WICD2140CW	294	WIDC-1023CW	304	WP32255X4	257
WE310	170	WICD2140CW	300	WIDC-1023CW	306	WP40330EC	258
WE315	170	WICD2223CW	294	WIDC-1423CW	304	WP40330EL	258
WE350Z	72	WICD2223CW	300	WIDC-1423CW	306	WP40330X2	257
WE351Z	72	WICD3040CW	294	WIDC-2040CW	304	WP40330X4	257
WE352	72	WICD3040CW	301	WIDC-2040CW	306	WP50420EC	258
WE500	53	WICD3123CW	294	WIDC-3040CW	304	WP50420EL	258
WE510	53	WICD3123CW	301	WIDC-3040CW	306	WP50420X2	257
WE515	53	WICD3823CW	294	WIEM-006	318	WP50420X4	257
WE516	53	WICD3823CW	295	WIEM-006V	318	WP63520EC	258
WE517	53	WICD4040CW	294	WIEM-011	318	WP63520EL	258
WE518	53	WICD4040CW	302	WIEM-011V	318	WP63520X2	257
WE519	53	WICD4123CW	294	WIEM-016	318	WP63520X4	257
WE520	53	WICD4123CW	302	WIEM-016V	318	WPAZ-ST1010F	173
WE522	53	WICD5823CW	294	WIEM-031	318	WPAZ-ST1012F	173
WE530	53	WICD5823CW	296	WIEM-036	318	WPAZ-ST1212F	173
WE532	53	WICD9023CW	294	WIEM-041	318	WPAZ-ST23F	173
WE540	53	WICD9023CW	297	WIPX-44	76	WPAZ-ST33F	173
WE542	53	WICDU1611CW	294	WIPX-55	76	WPAZ-ST35F	173
WE550	53	WICDU1611CW	299	WIPX-66	76	WPAZ-ST43F	173
WE552	53	WICDU1623CW	294	WIRV-010	323	WPAZ-ST44F	173
WE560	53	WICDU1623CW	299	WIRV-010V	323	WPAZ-ST45F	173
WE562	53	WICDU2211CW	294	WIRV-020	323	WPAZ-ST46F	173
WE570	53	WICDU2211CW	300	WIRV-020V	323	WPAZ-ST55F	173
WE572	53	WICDU2223CW	294	WISC1623CW	314	WPAZ-ST57F	173
WI100	79	WICDU2223CW	300	WISC3523CW	314	WPAZ-ST610F	173
WI100	97	WICDU3123CW	294	WISC5023CW	314	WPAZ-ST612F	173
WI100ECOR	226	WICDU3123CW	301	WISC8023CW	314	WPAZ-ST64F	173
WI100M	97	WICDU3811CW	294	WISC8523CW	314	WPAZ-ST66F	173
WI100ST	173	WICDU3811CW	295	WISCU1611CW	314	WPAZ-ST68F	173
WI105	79	WICDU4123CW	294	WISCU3511CW	314	WPAZ-ST810F	173
WI107	79	WICDU4123CW	302	WISCU3523CW	314	WPAZ-ST812F	173
WI250	322	WICDU5811CW	294	WISCU5011CW	314	WPAZ-ST88F	173
WI255	322	WICDU5811CW	296	WISCU5023CW	314	WT200CW	320
WI260	322	WICDU5823CW	294	WISCU8011CW	314	WT200VCW	320
WI265	322	WICDU5823CW	296	WISCU8023CW	314	WT205CW	320
WI270	322	WICDU9011CW	294	WISW1250230CW	315	WT205VCW	320





**innovative**  
enclosure solutions  
for industrial & electronic  
applications

**E.T.A. S.P.A.**

22035 Canzo - Como (Italy)  
Via Monte Barzaghino, 6  
t. +39 031.673.611  
f. +39 031.670.525  
www.eta.it  
infosede@eta.it

**E.T.A. ENCLOSURES (UK) LIMITED**

Unit 2, Ignite, Magna Way  
Rotherham, South Yorkshire, S60 1FD  
t. +44 01709 386630 f. +44 01709 369524  
info@eta-enclosures.co.uk  
www.eta-enclosures.co.uk

**SASU E.T.A. France**

Rue du Pré aux Boeufs  
76806 St.Etienne du Rouvray  
t. +33 02 35643470 f. +33 02 35642275  
eta-france@wanadoo.fr  
www.eta-france.fr

**E.T.A. SPB**

Shpalernaya ul. 54  
191015 St.Petersburg (Russia)  
www.eta.it



Dimensions indicated may be changed by ETA  
in order to improve product manufacturing.

All sales are regulated by the  
"General terms and conditions of sales of ETA", available on-line  
<http://www.eta.it/en/servizi/download/condizioni-di-vendita/>

Designed by  
**Zappa Associati**  
Printed by  
**Tecnografica**

© E.T.A. S.P.A. November 2016



E.T.A. chooses sustainable paper.