

Data sheet

Commercial Art.No.: R1.210.1102.0

emergency stop button SNH 1102 2 NC M12

Emergency stop pushbutton, with M12 connection 5-pin, contact assignment 2 NC, IP65/IP67



Commercial Art.No.	R1.210.1102.0
EAN	4049088647406
Order Unit	1

certificates / approvals



Technical data

technical data

hole diameter	22.3 mm
unlocking method	turn unlatching mechanism
housing material	plastic
with lighting	no
degree of protection (IP)	IP65
min. ambient temperature	-25 °C
max. ambient temperature	70 °C

classification

ECLASS 11	
ETIM 9.0	EC000221
ETIM 8.0	EC000221

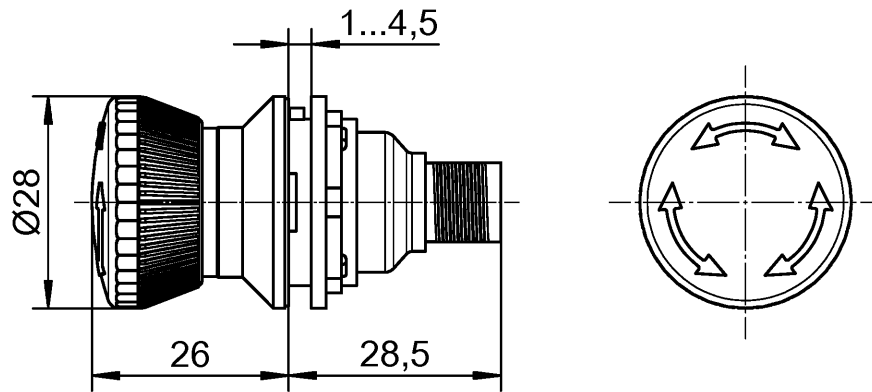
product compliance

ROHS conformity status	compliant/exempted
ROHS exceptions	III-6(c)
REACH-SVHC conformity status	Duty-To-Declare
REACH-SVHC substances	Lead
REACH-SVHC CAS numbers	7439-92-1

Accessories

Commercial Art.No.:	Article-type description:	Description:
R1.500.0505.0	connection cable SLX-CAB-M12-0505	SLC M12, 5 pin Connection Cable (unshielded), 5m long
R1.500.0510.0	connection cable SLX-CAB-M12-0510	Connection cable M12, 5-pole, Length 10m, unshielded

R1.500.0515.0	connection cable SLX-CAB-M12-0515	Connection cable M12, 5-pole, Length 15m, unshielded
R1.500.0525.0	connection cable SLX-CAB-M12-0525	Connection cable M12, 5-pole, Length 25m, unshielded
R1.500.0550.0	connection cable SLX-CAB-M12-0550	Connection cable M12, 5-pole, Length 50m, unshielded
R1.600.0505.0	connection cable SLX-CAB-M12-S0505	Connection cable M12, 5-pole, Length 5m, shielded
R1.600.0510.0	connection cable SLX-CAB-M12-S0510	Connection cable M12, 5-pole, Length 10m, shielded
R1.600.0515.0	connection cable SLX-CAB-M12-S0515	Connection cable M12, 5-pole, Length 15m, shielded
R1.600.0525.0	connection cable SLX-CAB-M12-S0525	Connection cable M12, 5-pole, Length 25m, shielded
R1.600.0550.0	connection cable SLX-CAB-M12-S0550	Connection cable M12, 5-pole, Length 50m, shielded





01-QU-RD-31/21

Teile-Nr. / Part-No.	Typ / Type
R1.210.1102.0	SNH 1102 2 NC M12
R1.210.1112.0	SNH 1112 2 NC/ 1 NO M12

Weitere Angaben siehe KATALOG oder eKatalog.
Additional data see CATALOG or eCatalog.

www.wieland-electric.com
eshop.wieland-electric.com

ja/yes Stoffverbots- und Deklarationsliste nach WN 5020.010 ist einzuhalten.
Conformity with Wieland document WN 5020.010 e (list of prohibited / declarable hazardous substances) to be declared!

Freitoleranz nach General tolerance		CAD-Zeichnung, keine manuellen Änderungen CAD-Drawing, no manual modifications allowed			1. Verwendung: First Use:		Blatt: Sheet:		
 Maßstab/Scale		Werkstoff/ Material		2022	Tag/ Date	Name		Zeichnung Nr./ Drawing No.	
		Elektronische Freigabe Electronic Release		gezeichnet drawn	20.05.	Koetzner		T R1.210.1102.0 01K Maße in mm/Dimensions are in mm	
Datei/ File: 0298111__01K.DCD				Ersatz für/ Replacement for:					
 wieland		Type		Benennung/ Title		Teilespezifikation / Component specification			
		Index		Datum/ Blatt Date/ Sheet		Änderung/ Revision		Betätiger / actuator	