

## Data sheet

Commercial Art.No.: R1.210.2402.0

emergency stop complete SNH 2402 2 NC M12

Emergency stop pushbutton, complete device incl. surface mount housing, with M12 connection 5-pin, contact assignment 2 NC, IP65



Commercial Art.No.	R1.210.2402.0
EAN	4049088641909
Order Unit	1

## Technical data

### technical data

hole diameter	22.3 cm
unlocking method	turn unlatching mechanism
with lighting	no
degree of protection (IP)	IP65
number of contacts as normally closed contact	2
number of contacts as normally open contact	0
mounting method	surface mounting

### classification

ETIM 9.0	EC002034
ETIM 8.0	EC002034

### product compliance

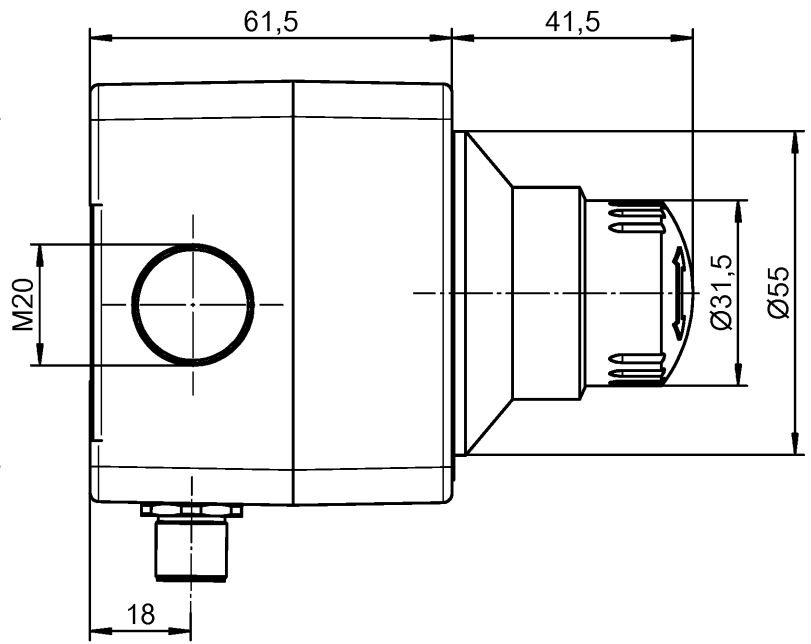
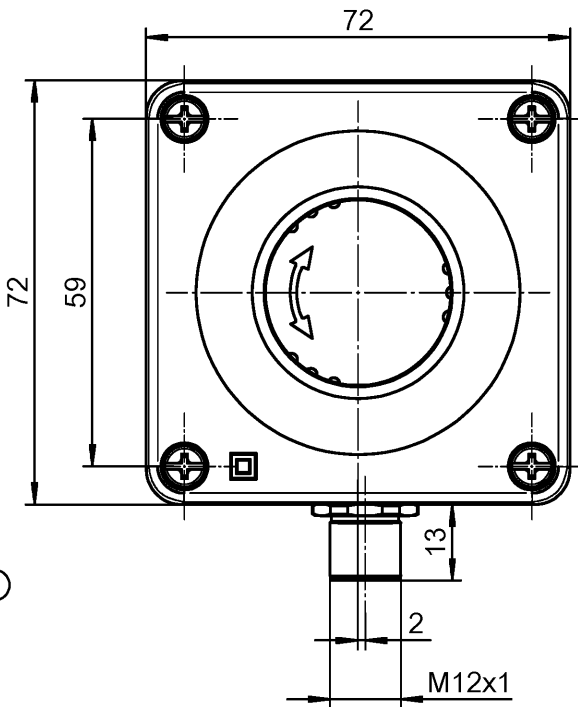
ROHS conformity status	compliant/exempted
ROHS exceptions	III-6(a); III-6(c)
REACH-SVHC conformity status	Duty-To-Declare
REACH-SVHC substances	Lead
REACH-SVHC CAS numbers	7439-92-1

## Accessories

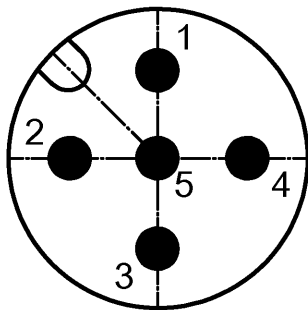
Commercial Art.No.:	Article-type description:	Description:
R1.500.0505.0	connection cable SLX-CAB-M12-0505	SLC M12, 5 pin Connection Cable (unshielded), 5m long
R1.500.0510.0	connection cable SLX-CAB-M12-0510	Connection cable M12, 5-pole, Length 10m, unshielded

R1.500.0515.0	connection cable SLX-CAB-M12-0515	Connection cable M12, 5-pole, Length 15m, unshielded
R1.500.0525.0	connection cable SLX-CAB-M12-0525	Connection cable M12, 5-pole, Length 25m, unshielded
R1.500.0550.0	connection cable SLX-CAB-M12-0550	Connection cable M12, 5-pole, Length 50m, unshielded
R1.600.0505.0	connection cable SLX-CAB-M12-S0505	Connection cable M12, 5-pole, Length 5m, shielded
R1.600.0510.0	connection cable SLX-CAB-M12-S0510	Connection cable M12, 5-pole, Length 10m, shielded
R1.600.0515.0	connection cable SLX-CAB-M12-S0515	Connection cable M12, 5-pole, Length 15m, shielded
R1.600.0525.0	connection cable SLX-CAB-M12-S0525	Connection cable M12, 5-pole, Length 25m, shielded
R1.600.0550.0	connection cable SLX-CAB-M12-S0550	Connection cable M12, 5-pole, Length 50m, shielded

Weitergabe sowie Vervielfältigung dieses Dokuments, Verwertung und Mitteilung seines Inhalts sind ohne schriftliche Genehmigung des Herstellers ist ausdrücklich untersagt. The production, distribution and utilization of this document, as well as the communication of its contents to others without express authorization is prohibited.



M12 (auf Stifte gesehen)





01-QU-RD-31/21

Weitere Angaben siehe KATALOG oder eKatalog.  
Additional data see CATALOG or eCatalog.

[www.wieland-electric.com](http://www.wieland-electric.com)  
[eshop.wieland-electric.com](http://eshop.wieland-electric.com)

ja/yes  Stoffverbots- und Deklarationsliste nach WN 5020.010 ist einzuhalten.  
Conformity with Wieland document WN 5020.010 e (list of prohibited / declarable hazardous substances) to be declared!

Freitoleranz nach General tolerance		CAD-Zeichnung, keine manuellen Änderungen CAD-Drawing, no manual modifications allowed			1. Verwendung: First Use:		Blatt: Sheet:		
 Maßstab/Scale		Werkstoff/ Material		2022 gezeichnet drawn	Tag/ Date 20.05.	Name Koetzner		Zeichnung Nr./ Drawing No. <b>R1.210.2402.0 01K</b>	
Datei/ File: 0298112_A_01K.DCD		Ersatz für/ Replacement for:			Maße in mm/Dimensions are in mm				
 <b>wieland</b>		Type	Benennung/ Title		Teilespezifikation / Component specification				
(a) 24.01.23 Index Datum/ Blatt Date/ Sheet Änderung/ Revision		<b>NOT-HALT-SCHALTER SNH 2402 2 NC M12</b>							